



US00D399913S

United States Patent [19]

[11] **Patent Number: Des. 399,913**

Ikuta

[45] **Date of Patent: **Oct. 20, 1998**

[54] **HANDLE FOR FISHING REEL**

4,056,246	11/1977	Purcell	242/283
5,328,128	7/1994	Morris	242/283
5,433,394	7/1995	Brozio	D22/140
5,660,344	8/1997	Testa	242/283

[75] Inventor: **Takeshi Ikuta**, Osaka, Japan

[73] Assignee: **Shimano Inc.**, Osaka, Japan

[**] Term: **14 Years**

Primary Examiner—Doris V. Coles
Attorney, Agent, or Firm—Jordan and Hamburg

[21] Appl. No.: **80,611**

[57] **CLAIM**

[22] Filed: **Dec. 11, 1997**

The ornamental design for a handle for fishing reel, as shown and described.

[30] **Foreign Application Priority Data**

DESCRIPTION

Jun. 20, 1997 [JP] Japan 9-58846

FIG. 1 is a top, front, perspective view of a handle for fishing reel, showing my new design;

[51] **LOC (6) Cl.** **22-05**

FIG. 2 is a front view thereof;

[52] **U.S. Cl.** **D22/140; D22/141**

FIG. 3 is a right side view thereof;

[58] **Field of Search** D22/140, 141;

FIG. 4 is a rear view thereof;

242/283, 284, 240, 268, 264

FIG. 5 is a left side view thereof;

[56] **References Cited**

FIG. 6 is a top plan view thereof; and,

U.S. PATENT DOCUMENTS

FIG. 7 is a bottom plan view thereof.

D. 273,317 4/1984 Purcell D22/140

The broken line showing of environment in FIGS. 1 to 7 is for illustrative purposes only and forms no part of the claimed design.

D. 302,843 8/1989 Myojo D22/140

D. 310,116 8/1990 Effinger D22/140

D. 348,303 6/1994 Kameda et al. D22/140

1,894,985 1/1933 Flowers 242/280

1 Claim, 4 Drawing Sheets

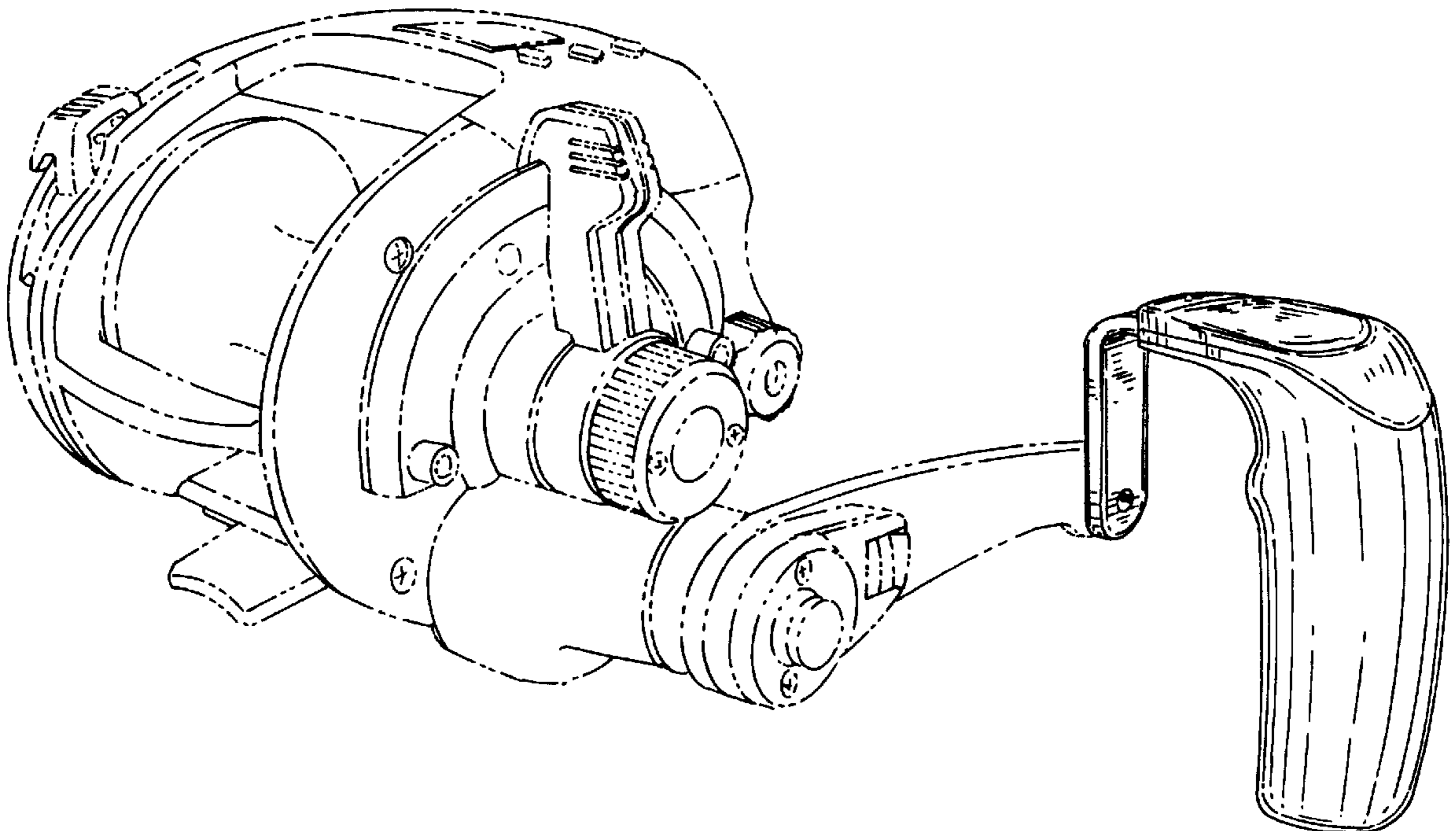


FIG. 1

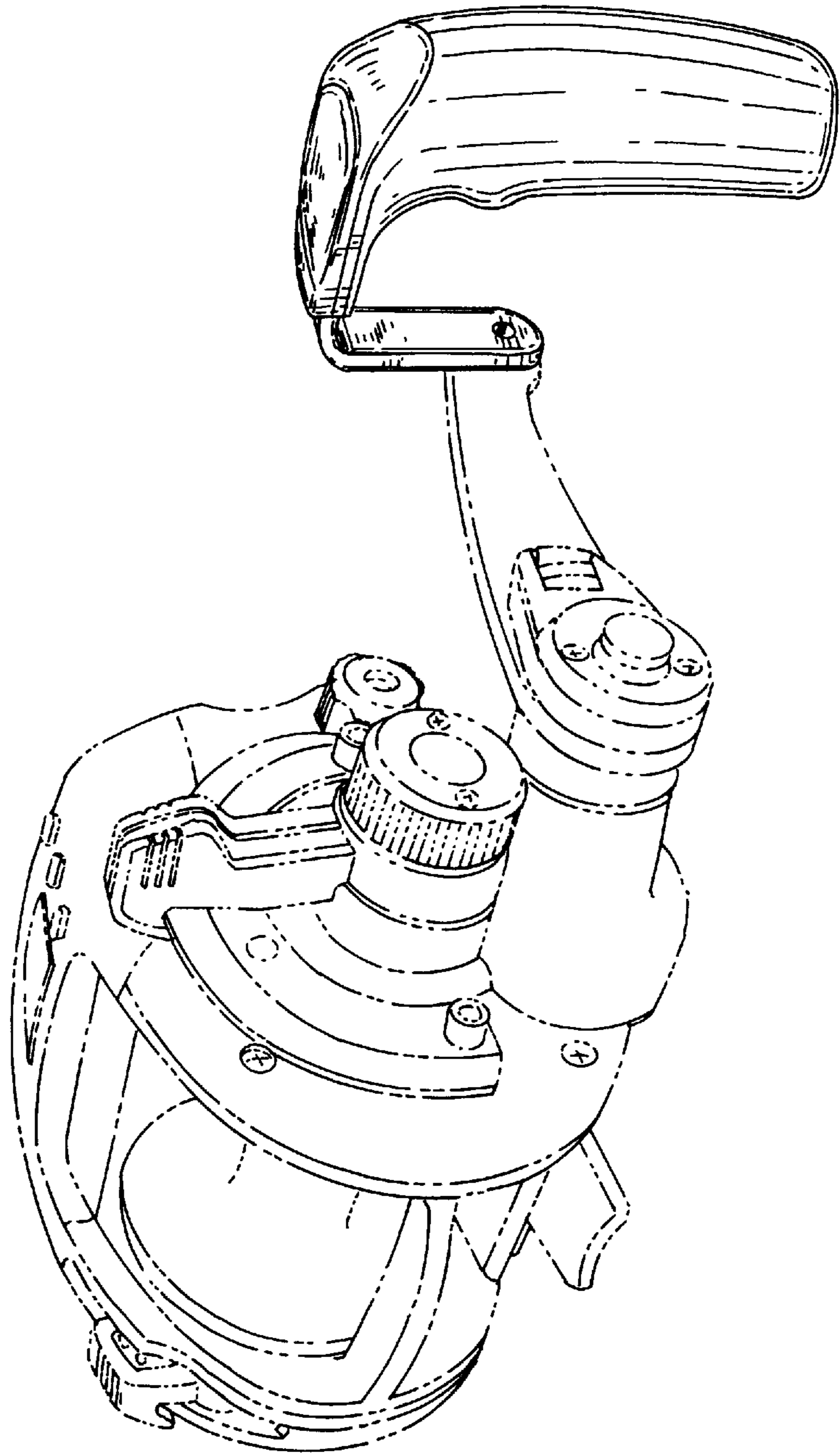


FIG. 3

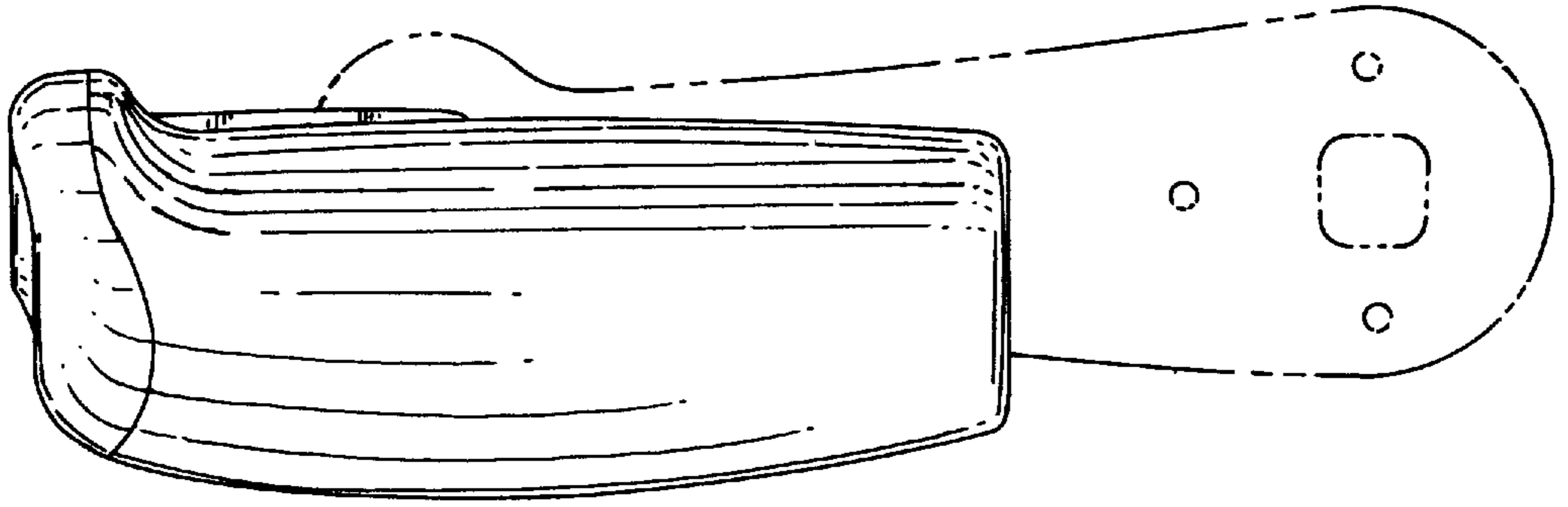


FIG. 2

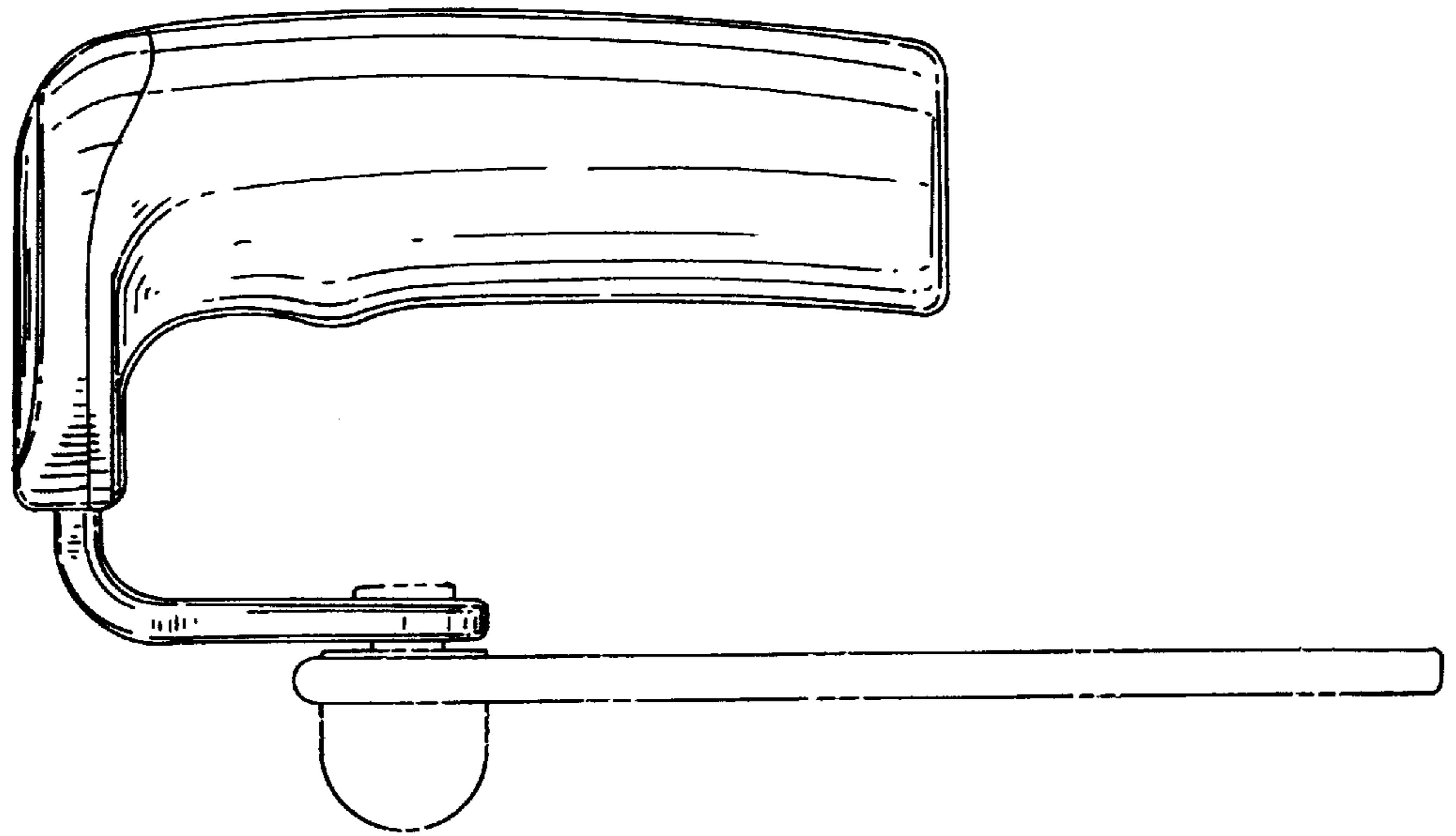


FIG. 5

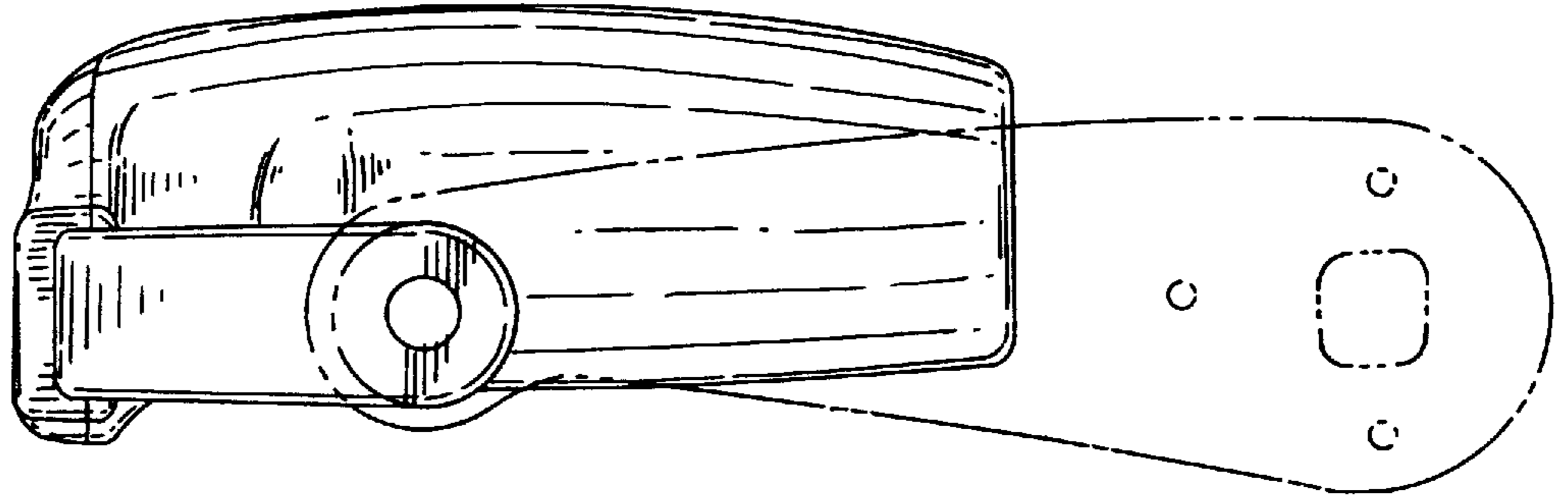


FIG. 4

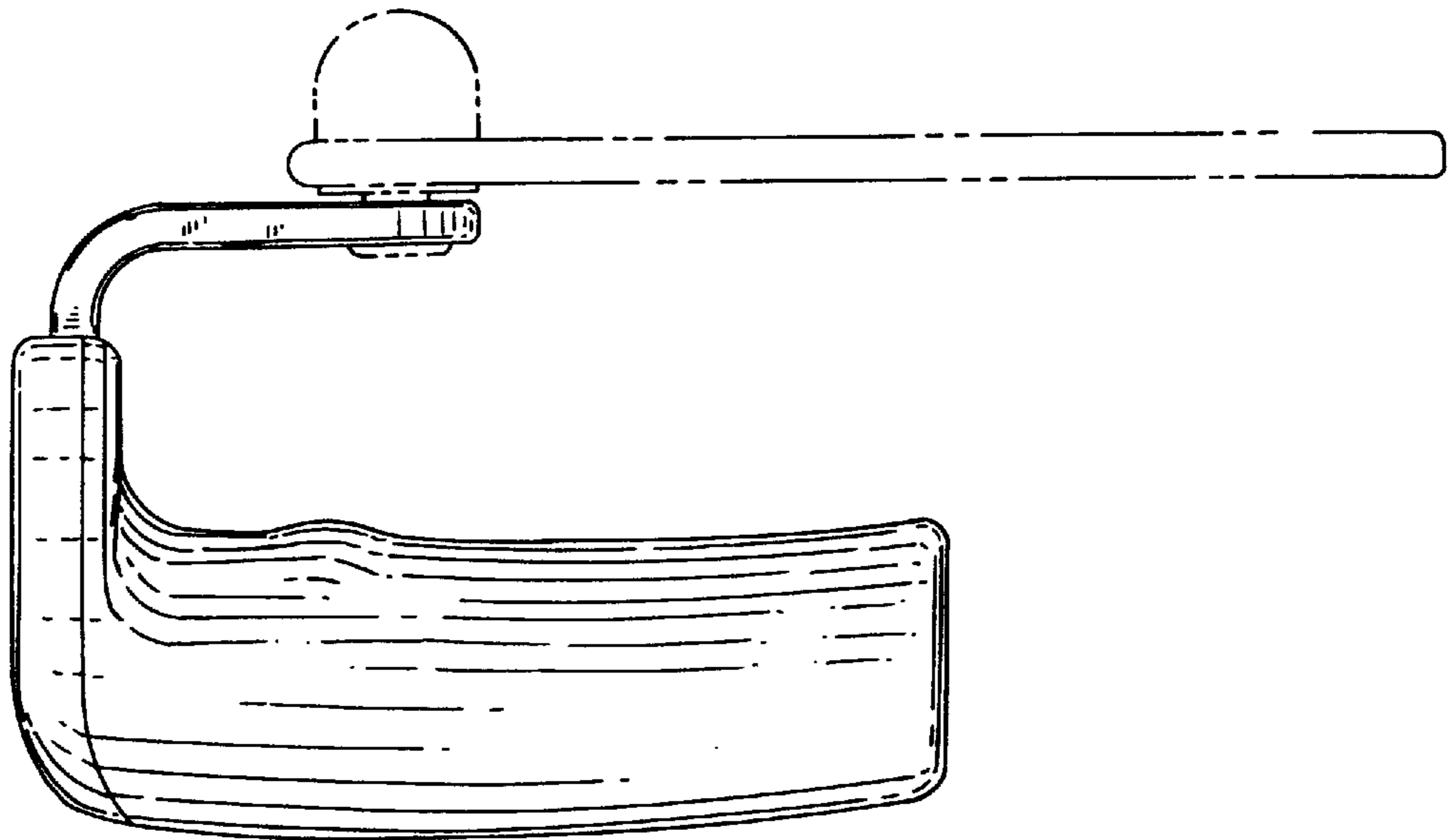


FIG. 7

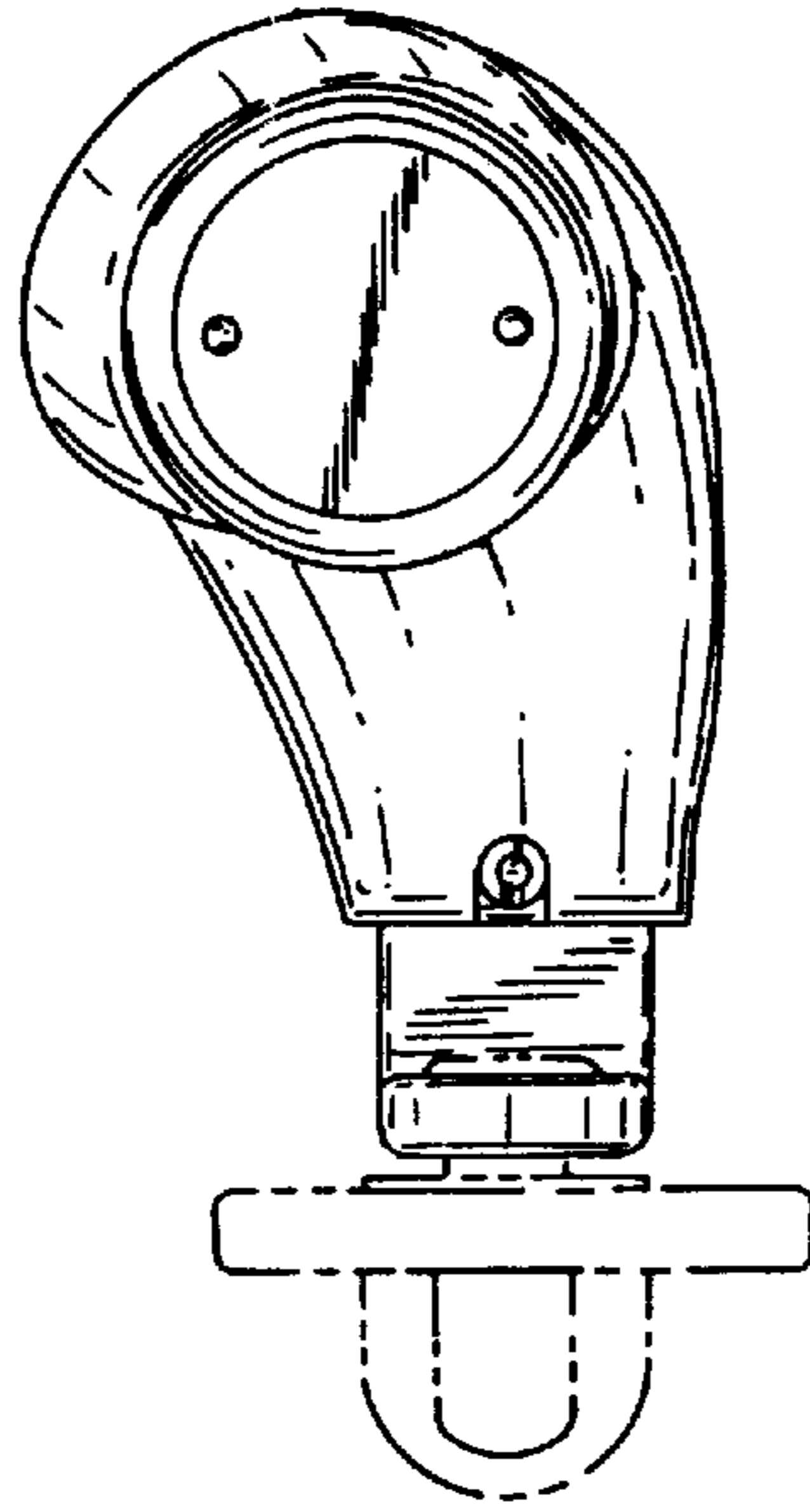


FIG. 6

