



US00D399911S

United States Patent [19]

Nicolette et al.

[11] Patent Number: **Des. 399,911**

[45] Date of Patent: ****Oct. 20, 1998**

[54] **GOLF PUTTER HEAD**

[75] Inventors: **Michael R. Nicolette**, Scottsdale;
Richard R. Sanchez, Glendale, both of
Ariz.

[73] Assignee: **Karsten Manufacturing Corp.**,
Phoenix, Ariz.

[**] Term: **14 Years**

[21] Appl. No.: **79,984**

[22] Filed: **Nov. 25, 1997**

[51] **LOC (6) Cl.** **21-02**

[52] **U.S. Cl.** **D21/736**

[58] **Field of Search** D21/217-219;
473/327, 340, 341, 251-256, 324

[56] **References Cited**

U.S. PATENT DOCUMENTS

D. 245,275	8/1977	Denhart	D21/219
D. 255,373	6/1980	Solheim	D21/219
D. 296,120	6/1988	Brace	D21/219
D. 303,276	9/1989	Oakleaf	D21/219
D. 333,332	2/1993	McCabe et al.	D21/219
D. 341,405	11/1993	Solheim	D21/219
D. 352,984	11/1994	Helmstetter et al.	D21/219
D. 358,438	5/1995	Moore	D21/219

D. 368,751	4/1996	Rife	D21/219
D. 369,393	4/1996	Takahashi et al.	D21/217
D. 379,484	5/1997	Solheim	D21/217
5,683,307	11/1997	Rife	473/340 X

Primary Examiner—Ted Shooman
Assistant Examiner—Mitchell I. Siegel
Attorney, Agent, or Firm—Darrell F. Marquette

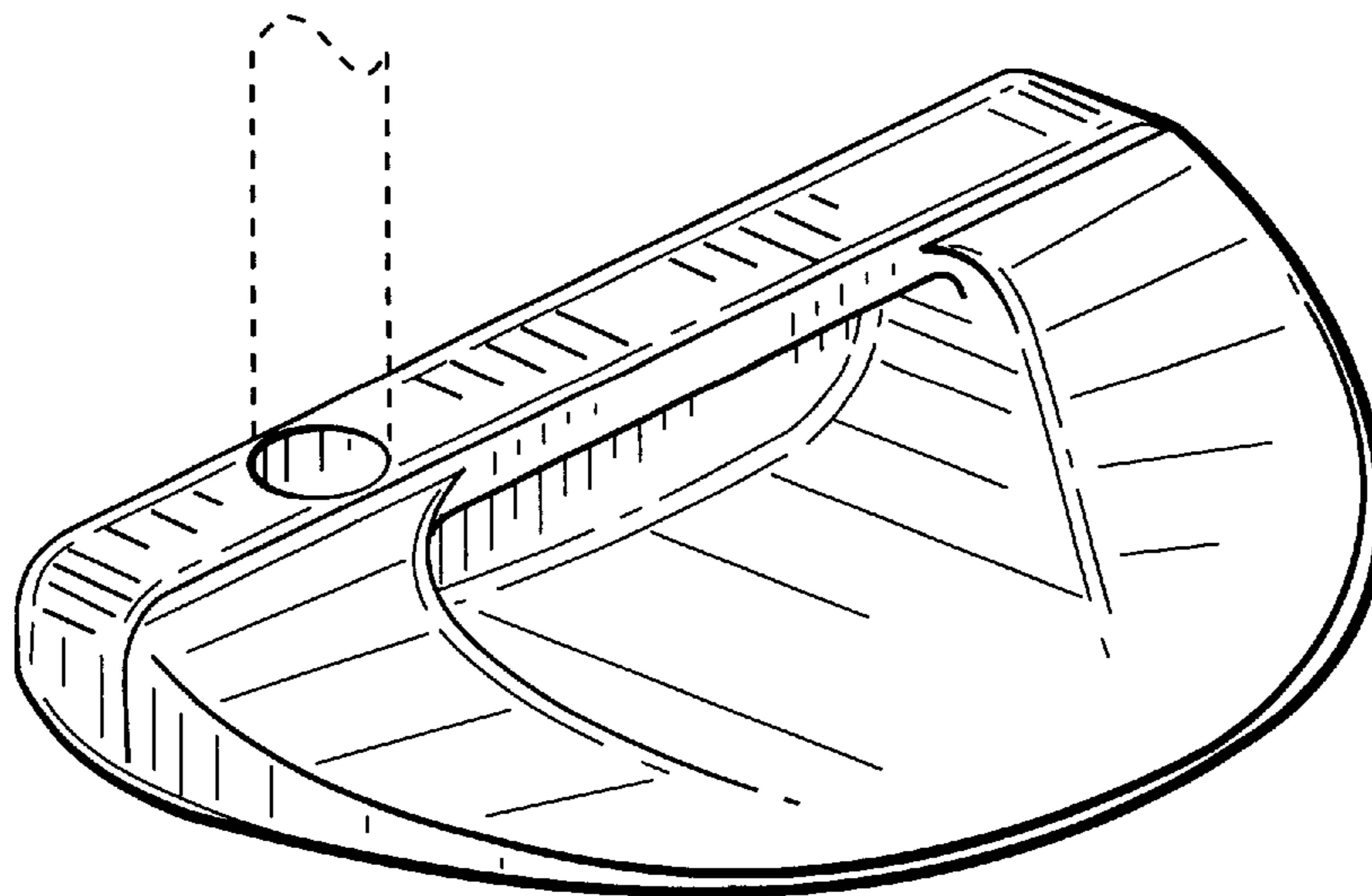
[57] **CLAIM**

The ornamental design for a golf putter head, as shown and described.

DESCRIPTION

FIG. 1 is a perspective view of a golf putter head showing my new design;
FIG. 2 is a rear elevational view of the golf putter head;
FIG. 3 is a front elevational view of the golf putter head;
FIG. 4 is a top plan view of the golf putter head;
FIG. 5 is a bottom view of the golf putter head;
FIG. 6 is a toe end view of the golf putter head;
FIG. 7 is a heel end view of the golf putter head; and,
FIG. 8 is a cross sectional view taken along lines 8—8 in FIG. 4.
The broken line showing of a fragmented shaft is for illustrative purposes only and forms no part of the claimed design.

1 Claim, 1 Drawing Sheet



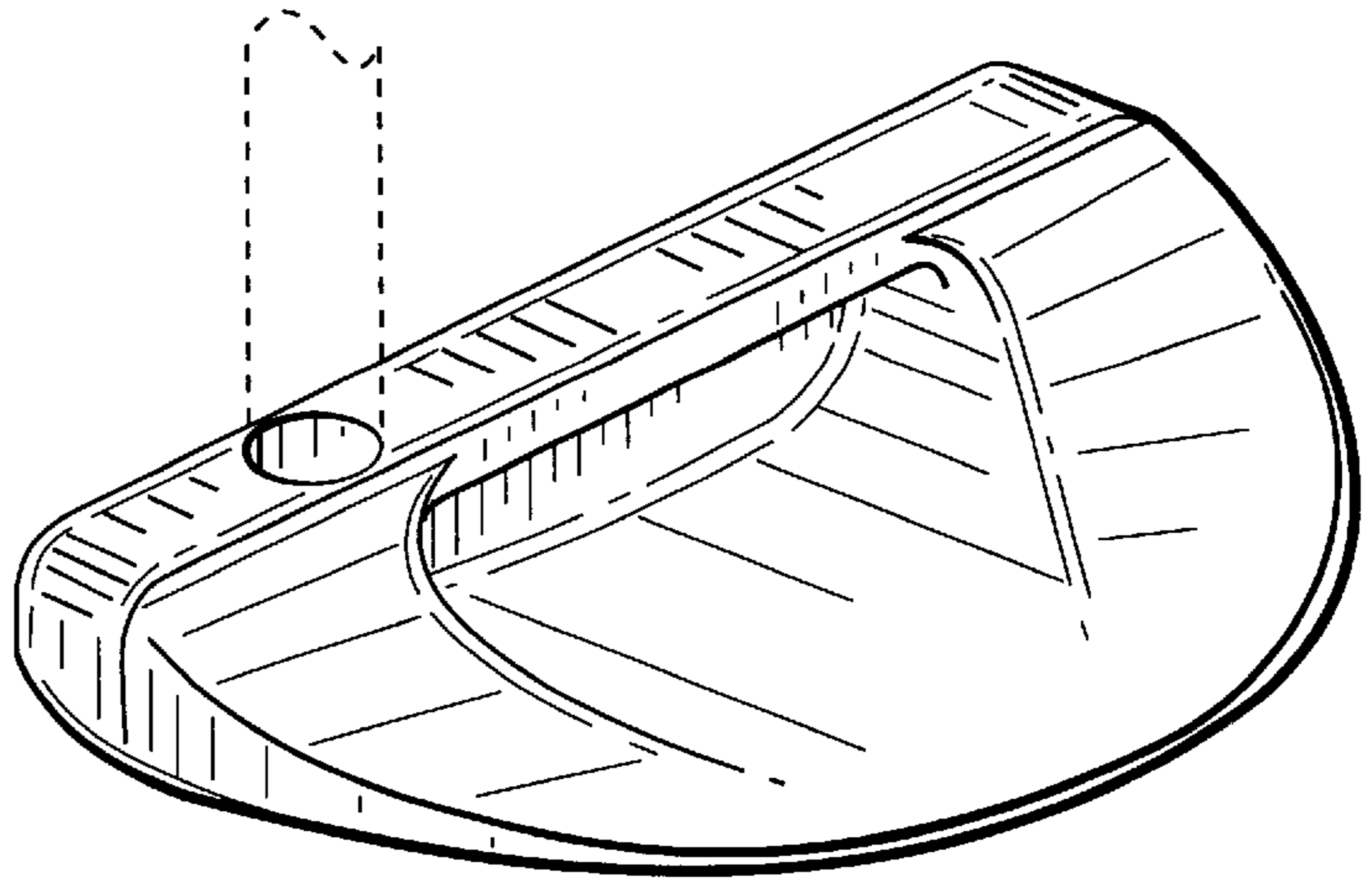


Fig. 2

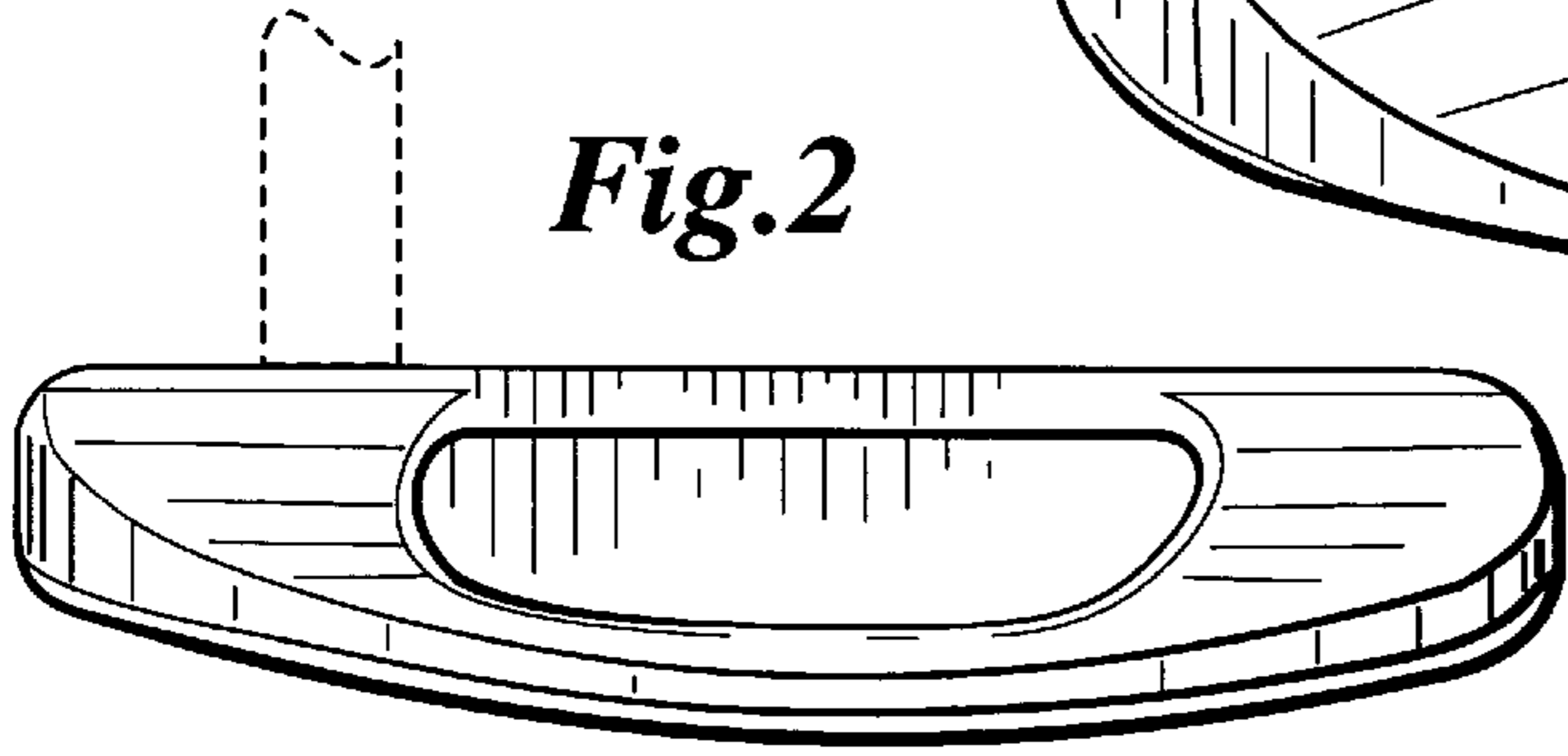


Fig. 3

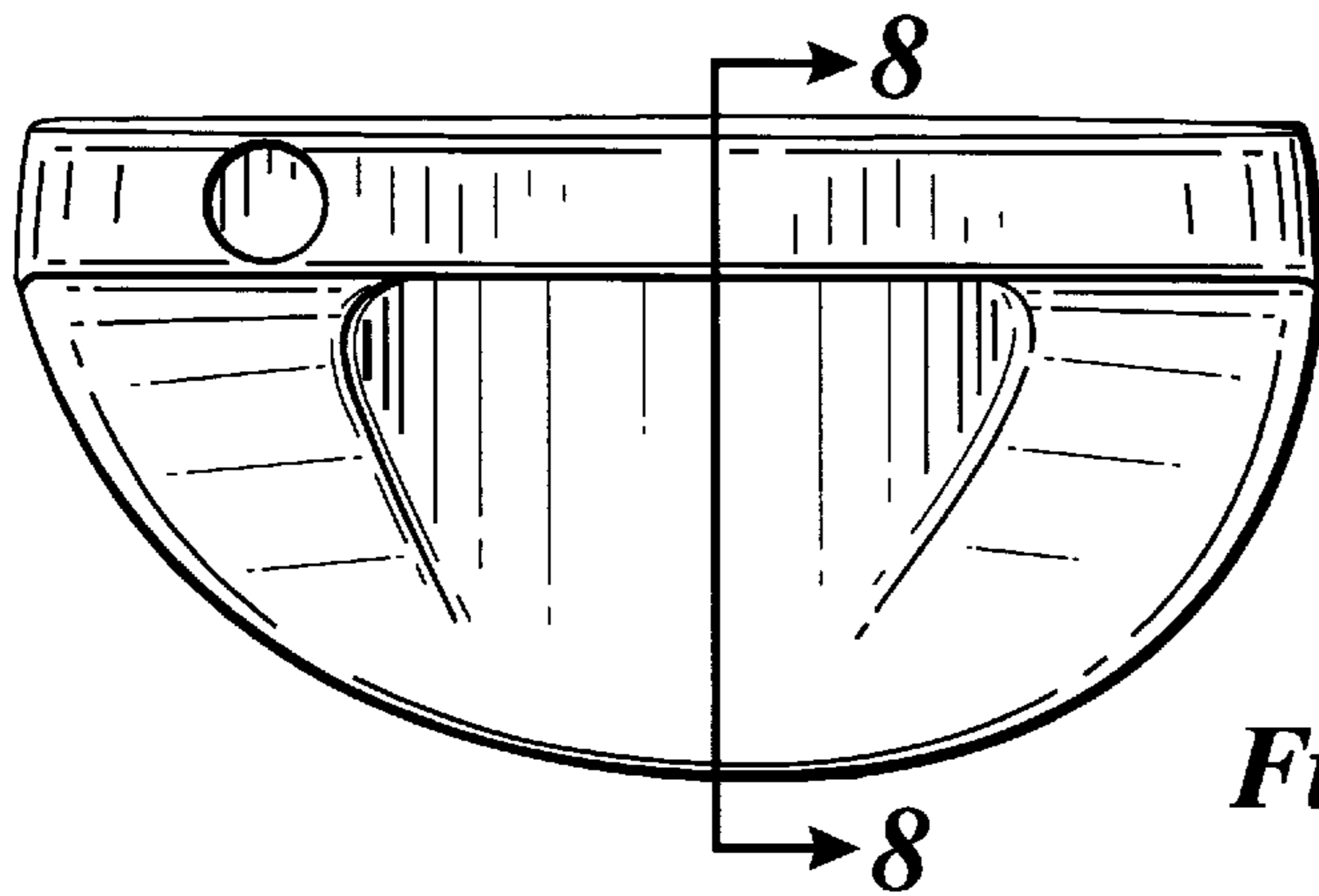
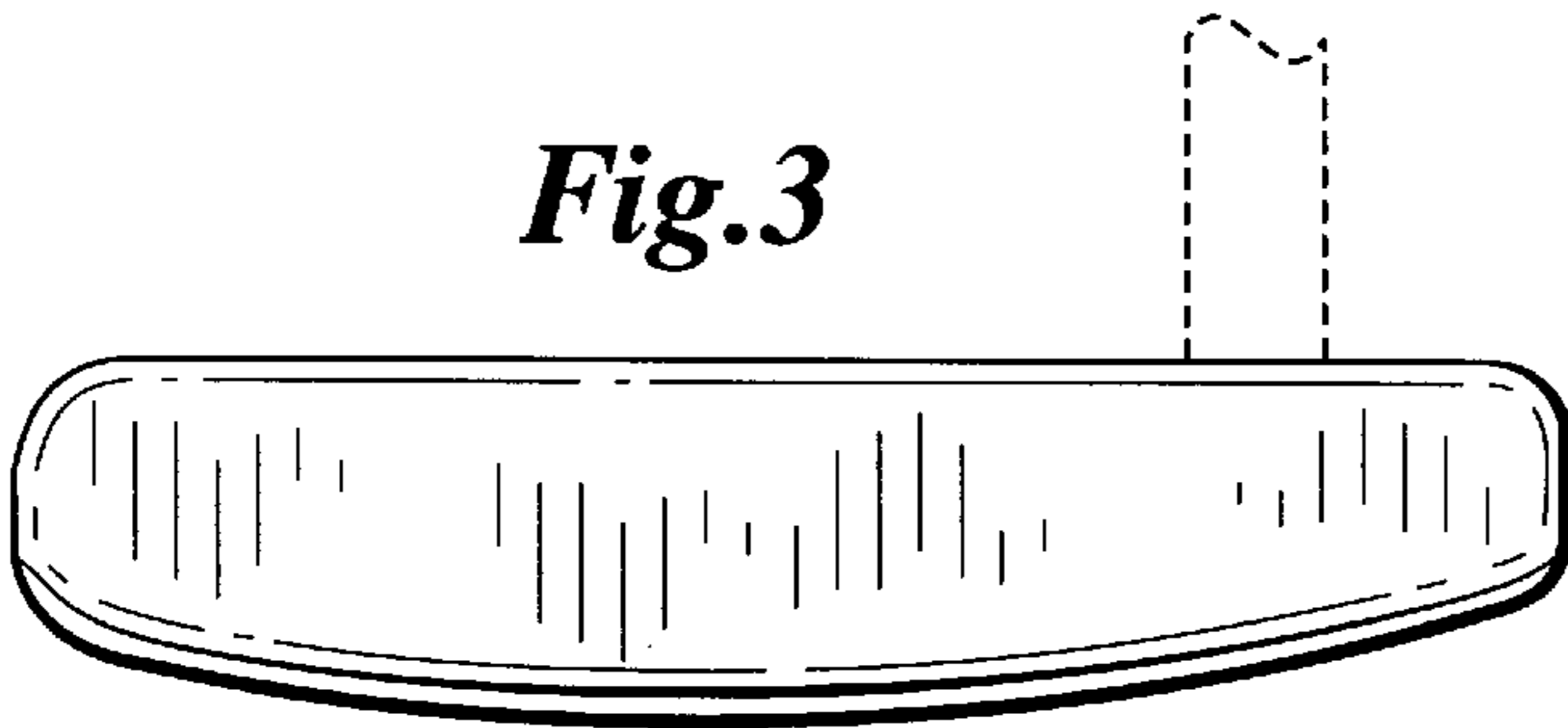


Fig. 4

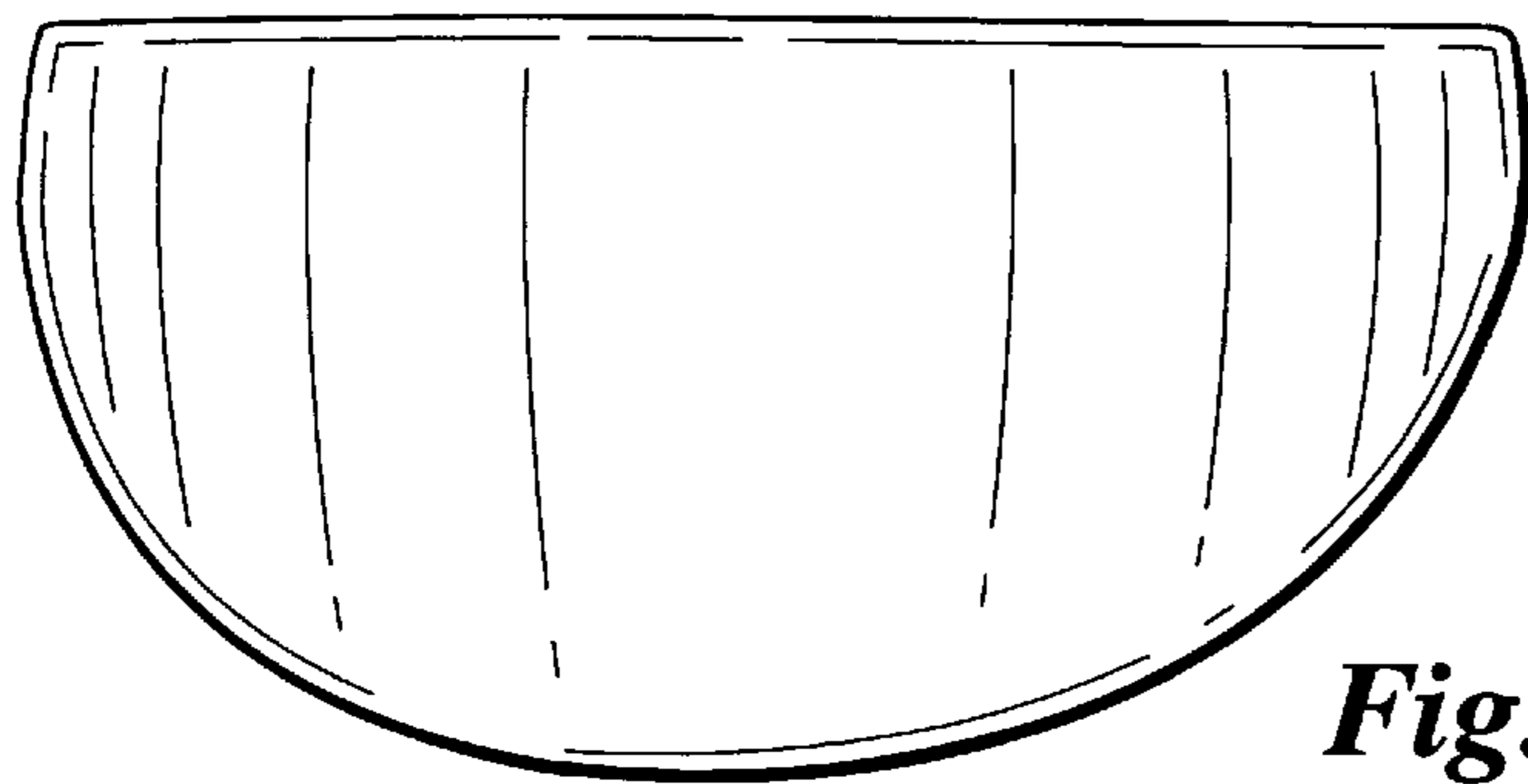


Fig. 5

Fig. 1

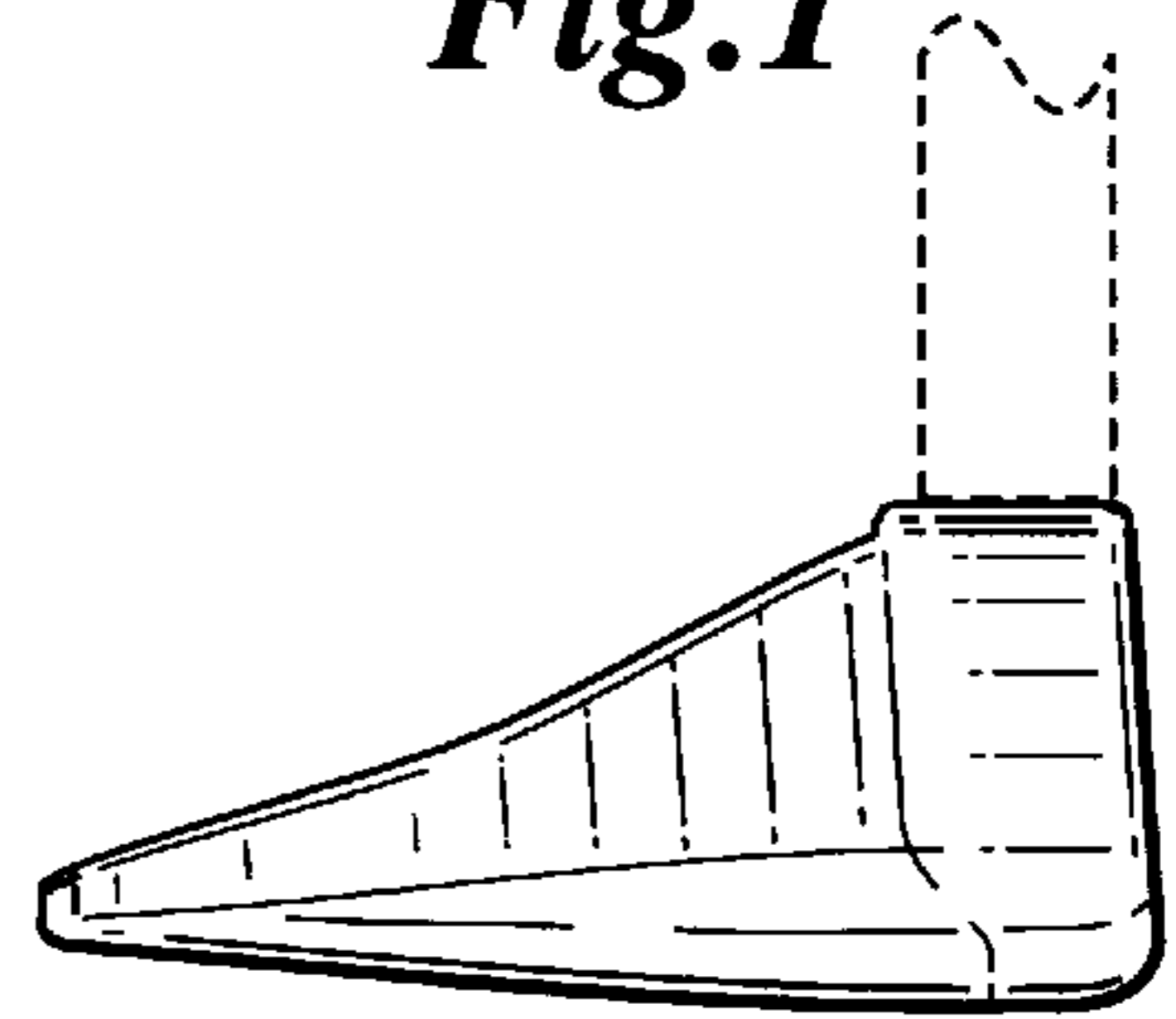


Fig. 6

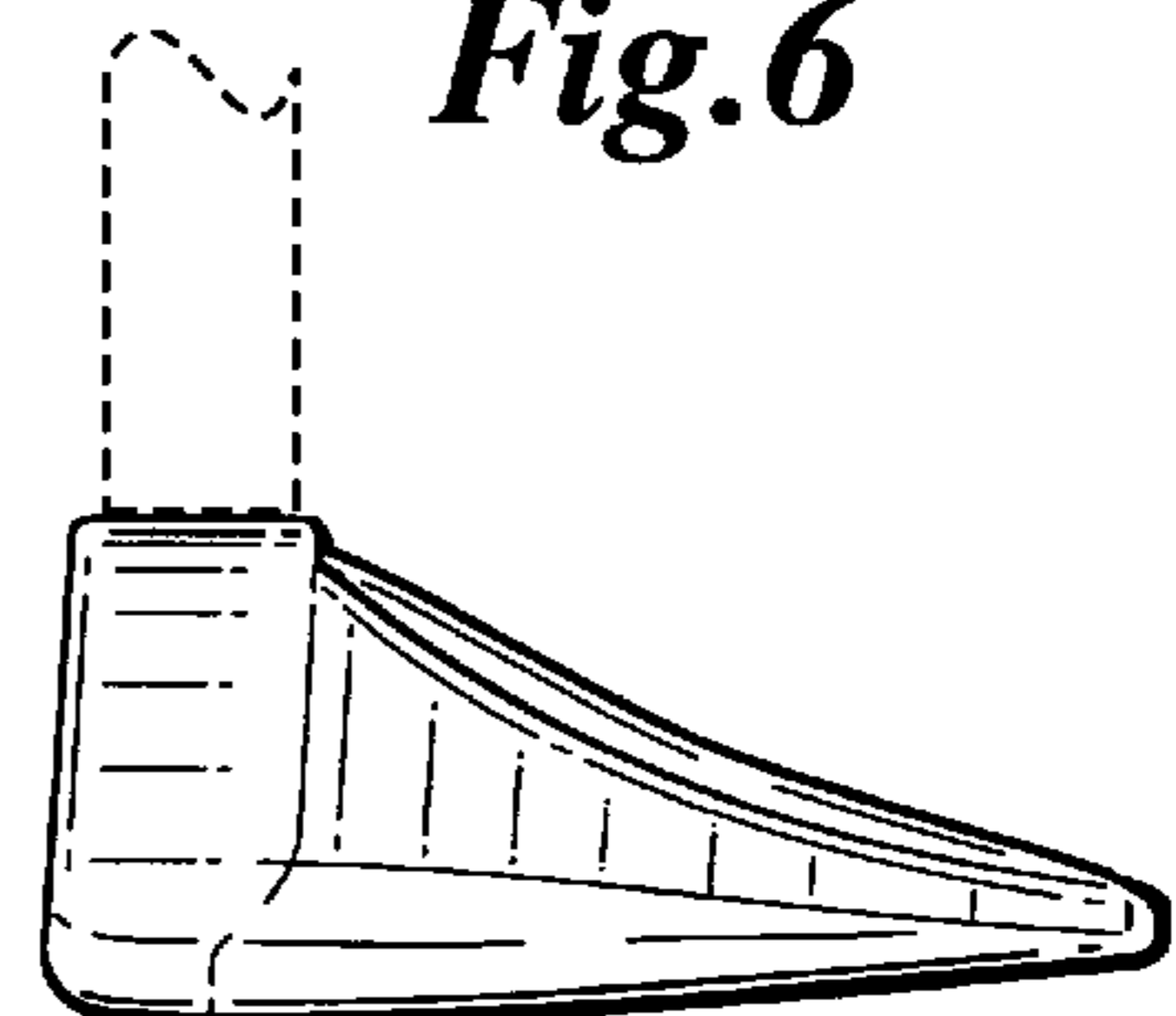


Fig. 7

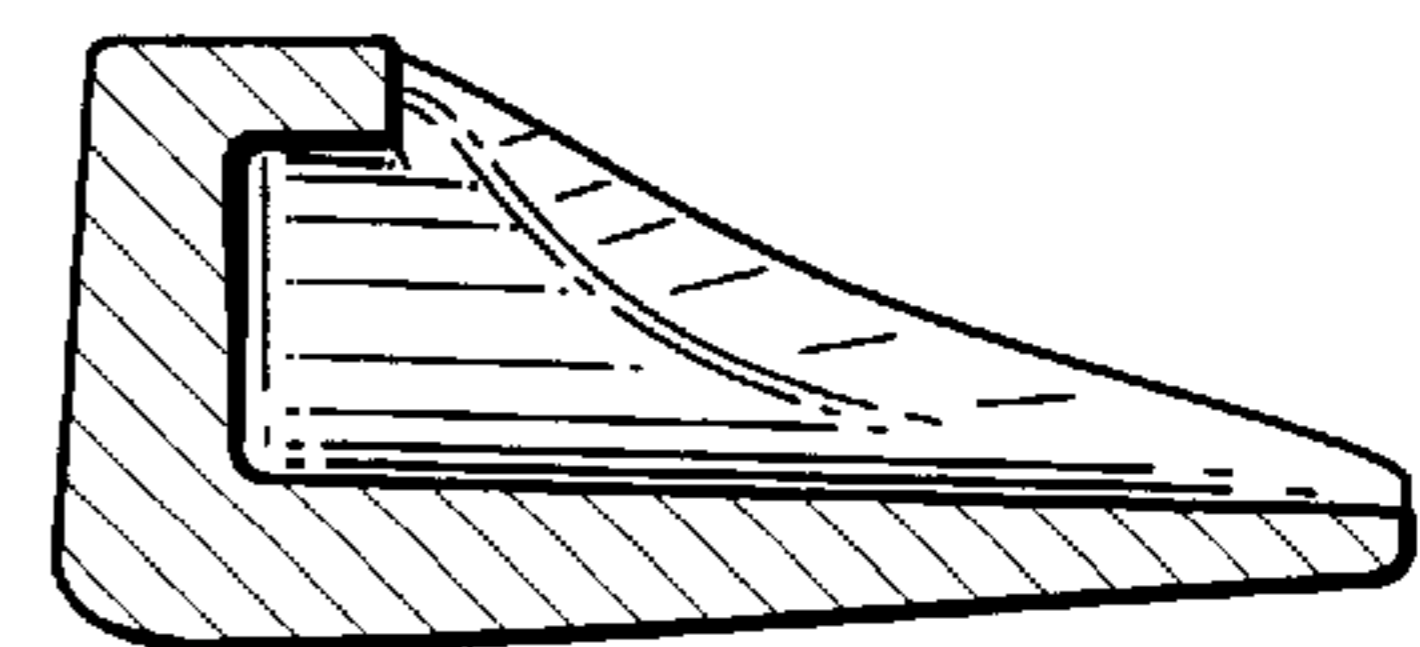


Fig. 8