



US00D399908S

United States Patent [19] Guzman, Sr. et al.

[11] Patent Number: Des. 399,908

[45] Date of Patent: **Oct. 20, 1998

[54] FIRE SAFETY GAME

[76] Inventors: **Heliodoro Guzman, Sr.; Indie Rae Cooper**, both of 19 Grochowiak St., South River, N.J. 08882

[**] Term: **14 Years**

[21] Appl. No.: **83,939**

[22] Filed: **Feb. 20, 1998**

[51] LOC (6) Cl. **21-01**

[52] U.S. Cl. **D21/350; D21/365**

[58] Field of Search **D21/14-36, 42-46; 273/236-285**

[56] References Cited

U.S. PATENT DOCUMENTS

D. 349,522	8/1994	Lindley et al.	D21/33
4,089,527	5/1978	Roth	273/249
4,706,960	11/1987	Nowacki et al.	273/257
5,066,016	11/1991	O'Neill	273/249
5,183,257	2/1993	Shore	273/243
5,360,216	11/1994	Counterman	273/243

Primary Examiner—Sandra L. Morris
Attorney, Agent, or Firm—David L. Volk

[57] CLAIM

The ornamental design for a fire safety game, as shown and described.

DESCRIPTION

FIG. 1 is a perspective view of a fire safety game showing our new design;

FIG. 2 is a top elevational view of the game board;

FIG. 3 is a bottom elevational view of the game board;

FIG. 4 is a top perspective view of the fire extinguisher card;

FIG. 5 is a bottom elevational view of the fire extinguisher card;

FIG. 6 is a top perspective view of the smoke detector card;

FIG. 7 is a bottom elevational view of the smoke detector card;

FIG. 8 is a top perspective view of the fire blanket card;

FIG. 9 is a bottom elevational view of the fire blanket card;

FIG. 10 is a top perspective view of the escape ladder card;

FIG. 11 is a bottom elevational view of the escape ladder card;

FIG. 12 is a top, front, right perspective view of the die;

FIG. 13 is a bottom, rear, left perspective view of the die;

FIG. 14 is a perspective view of the playing piece; and,

FIG. 15 is a front elevational view of the playing piece, the left side, right side, and rear views being the same.

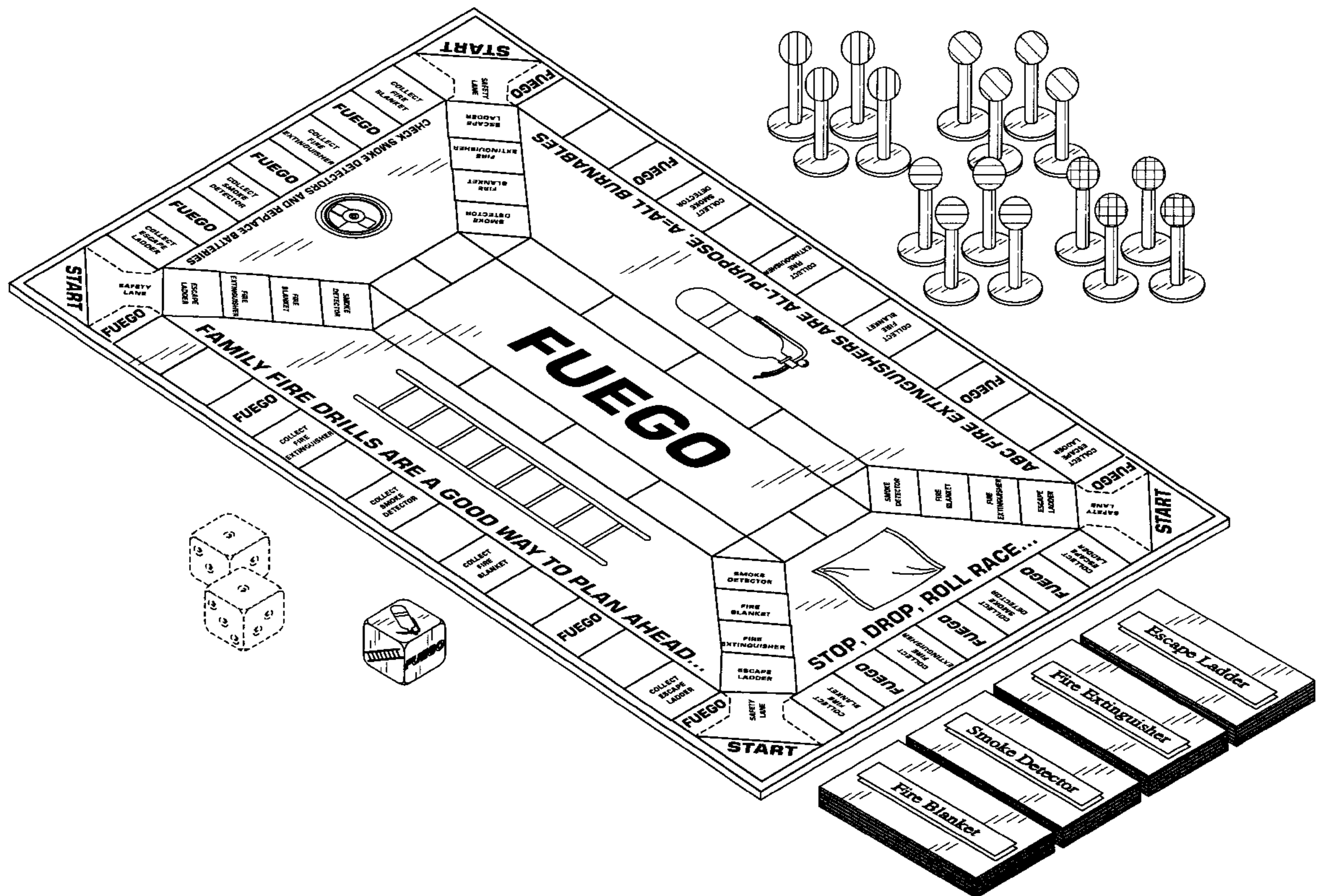
The dice shown in broken line are for use with the game, and form no part of the claimed invention.

The dotted outlines of the safety lanes on the game board are not environmental structure, but are actually dotted outlines.

The coloring of the heads of the playing pieces is not shown in FIGS. 10 and 11 for ease of illustration.

Undisclosed surfaces are plain and unornamented.

1 Claim, 5 Drawing Sheets



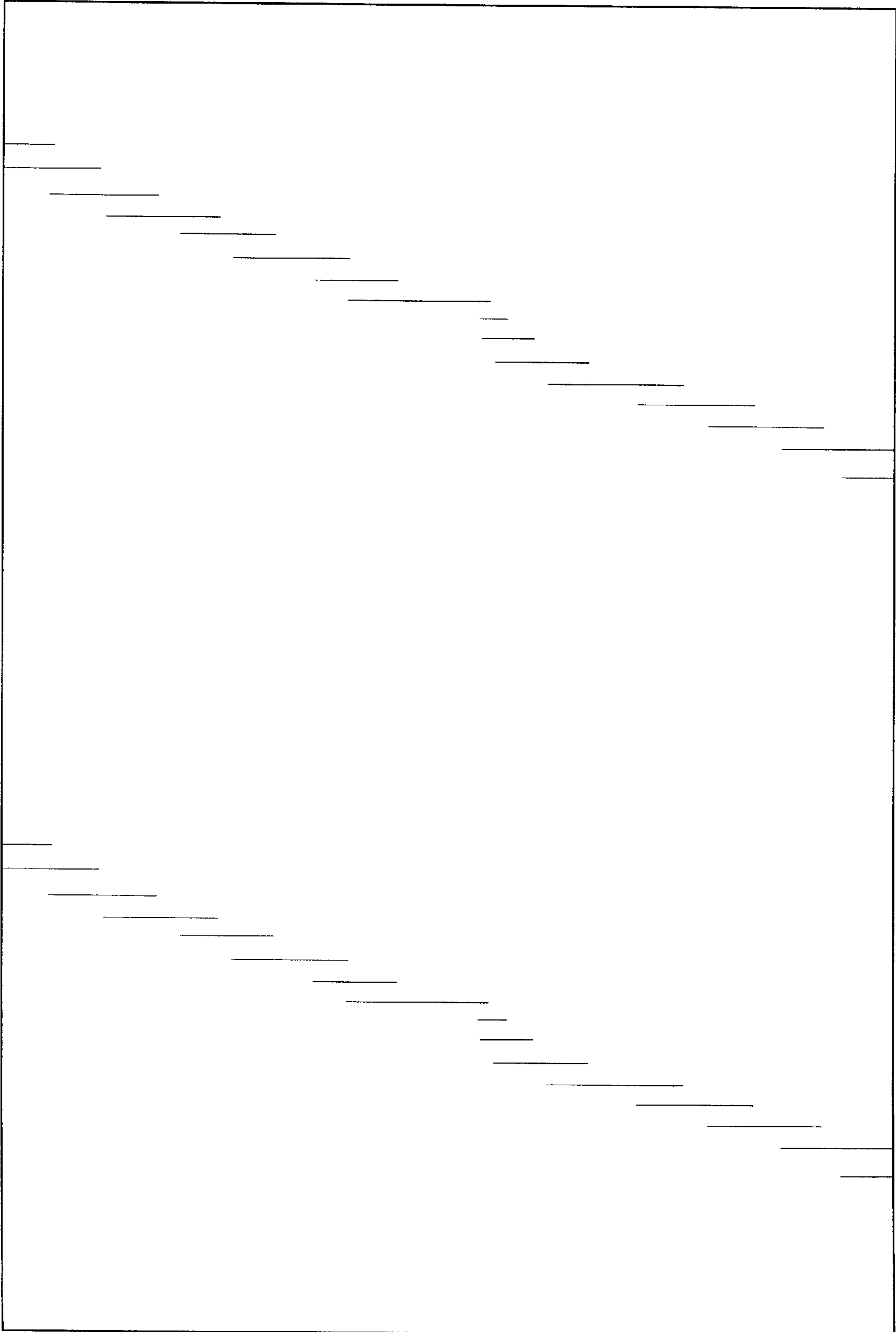


Fig. 3

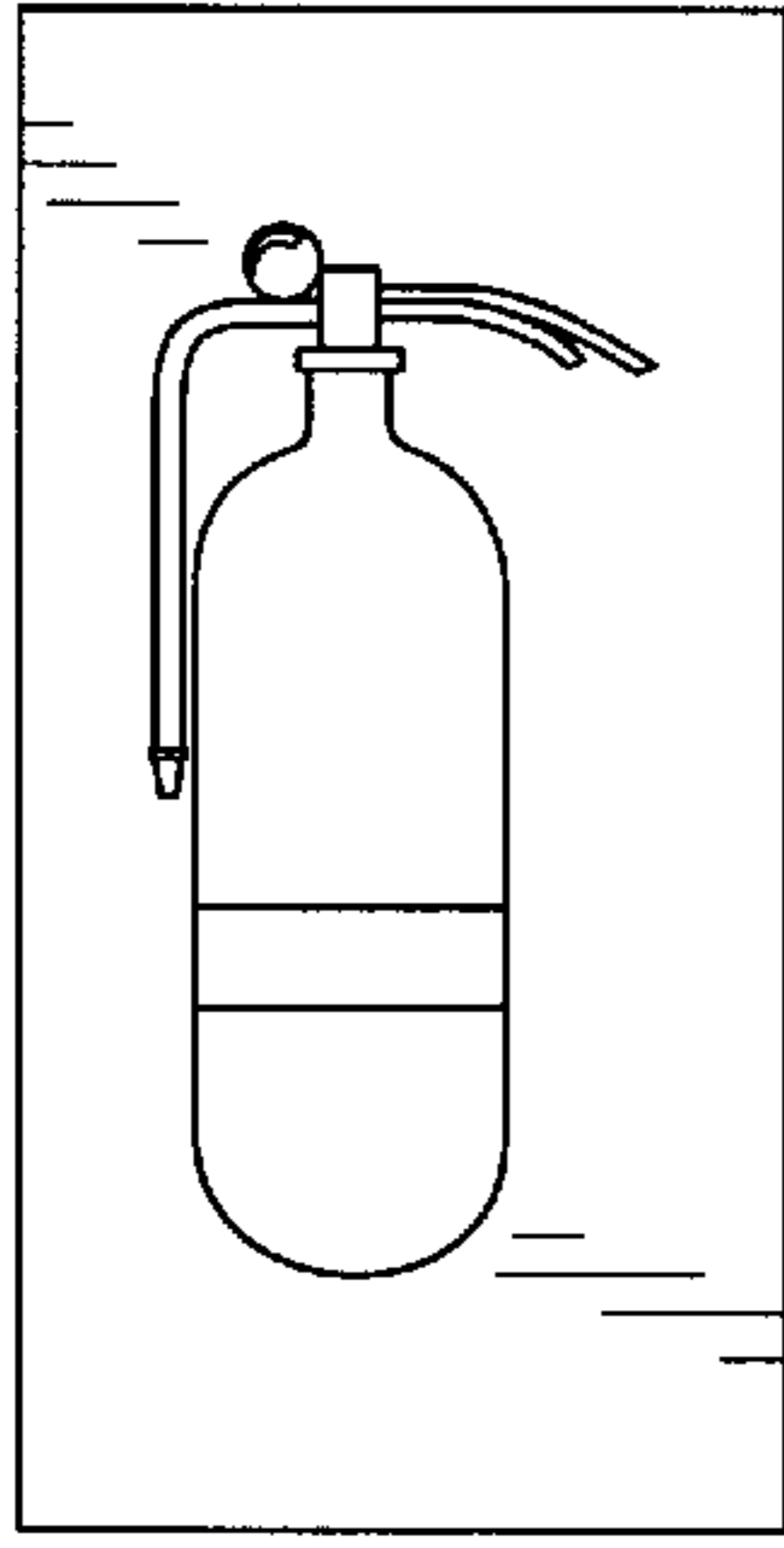


Fig. 5

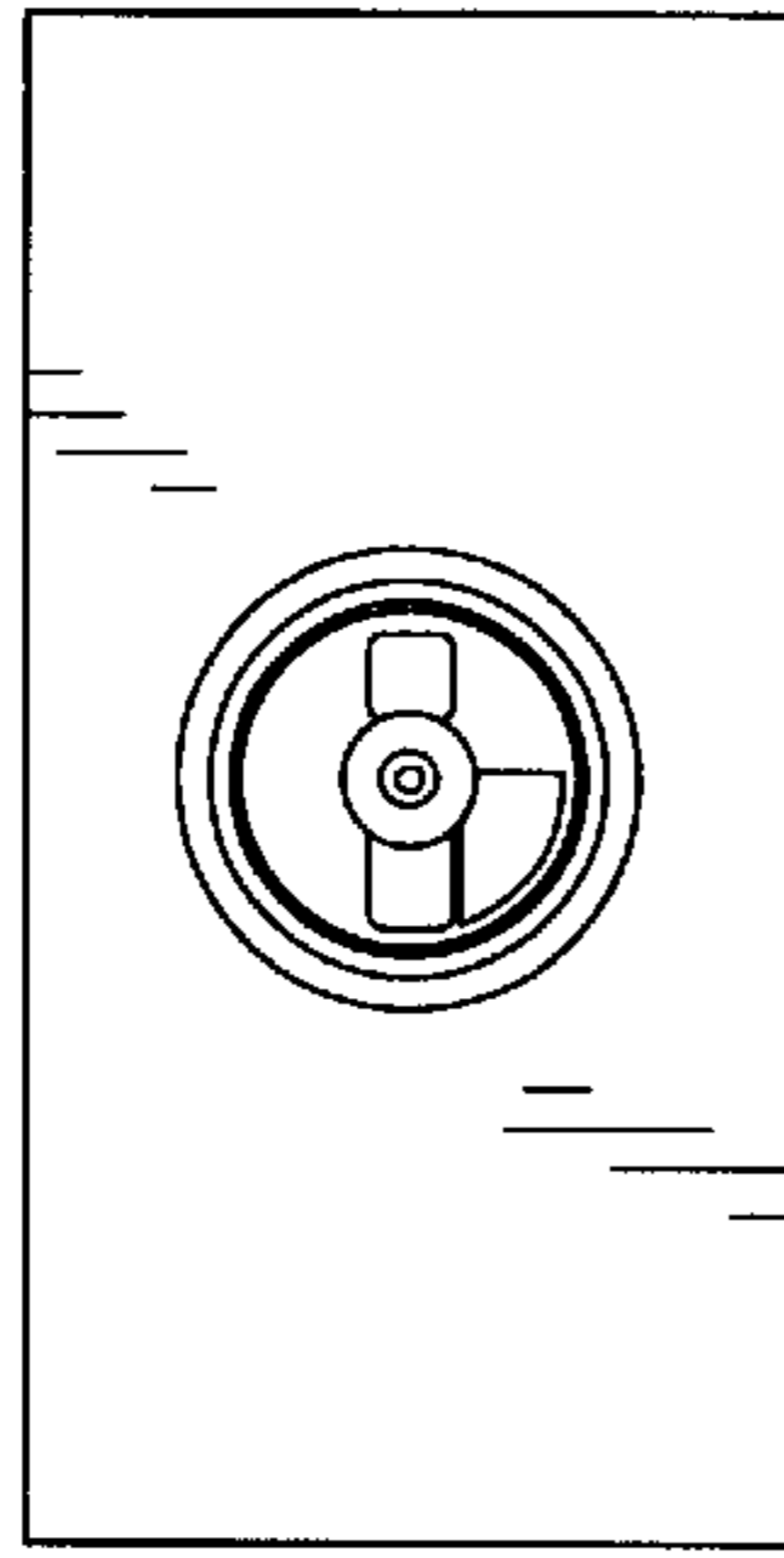


Fig. 7

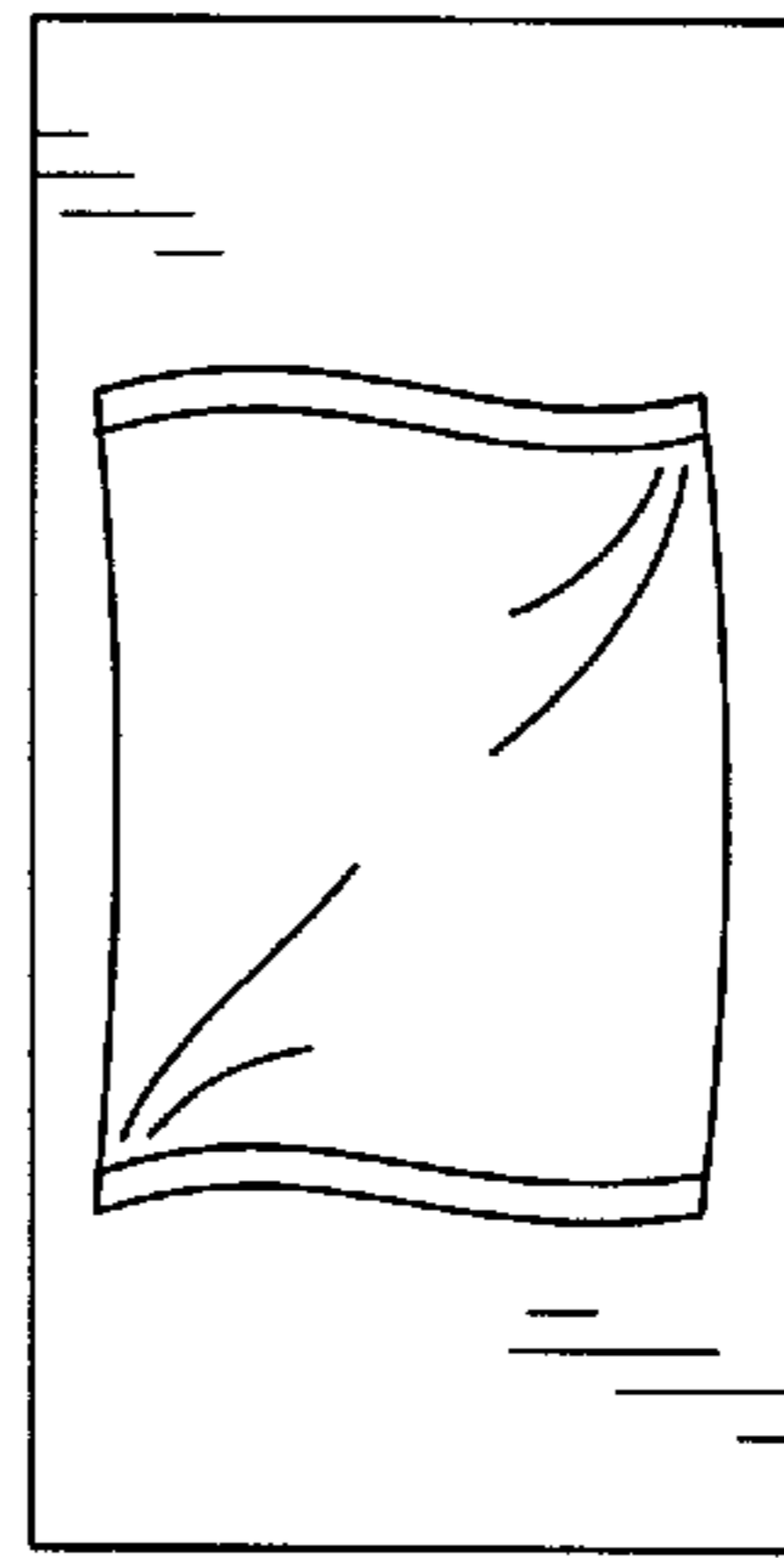


Fig. 9

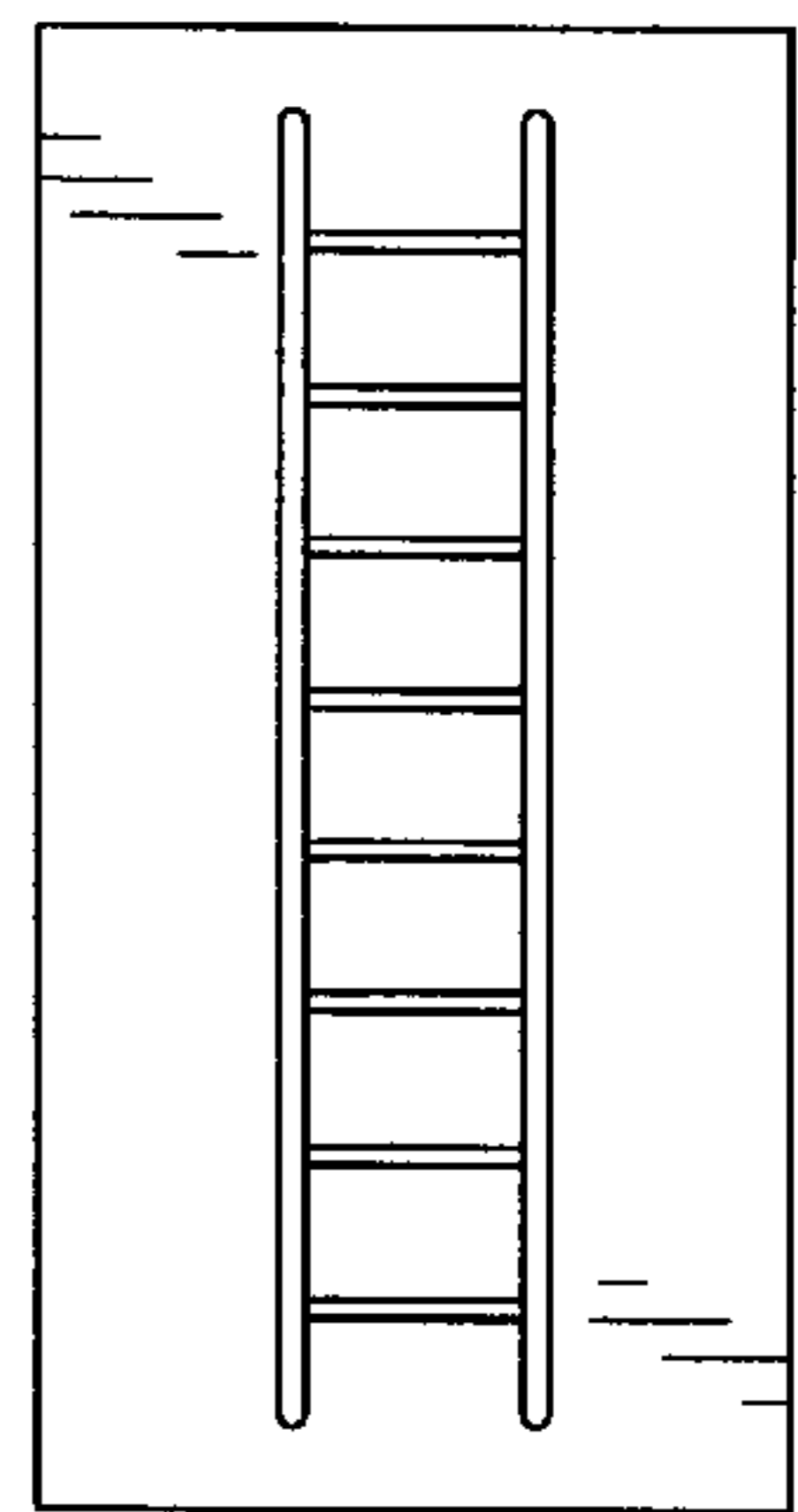


Fig. 11

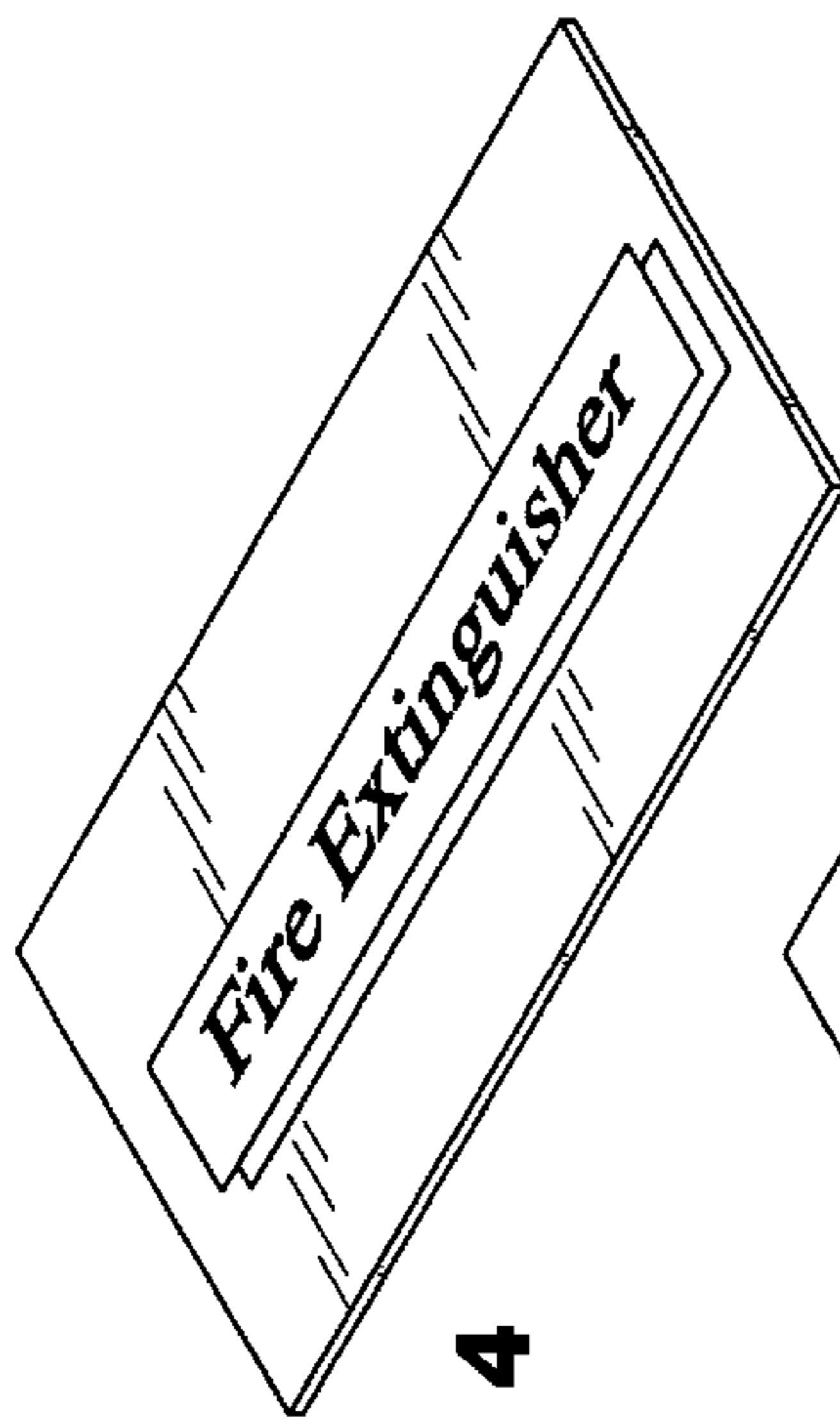


Fig. 4

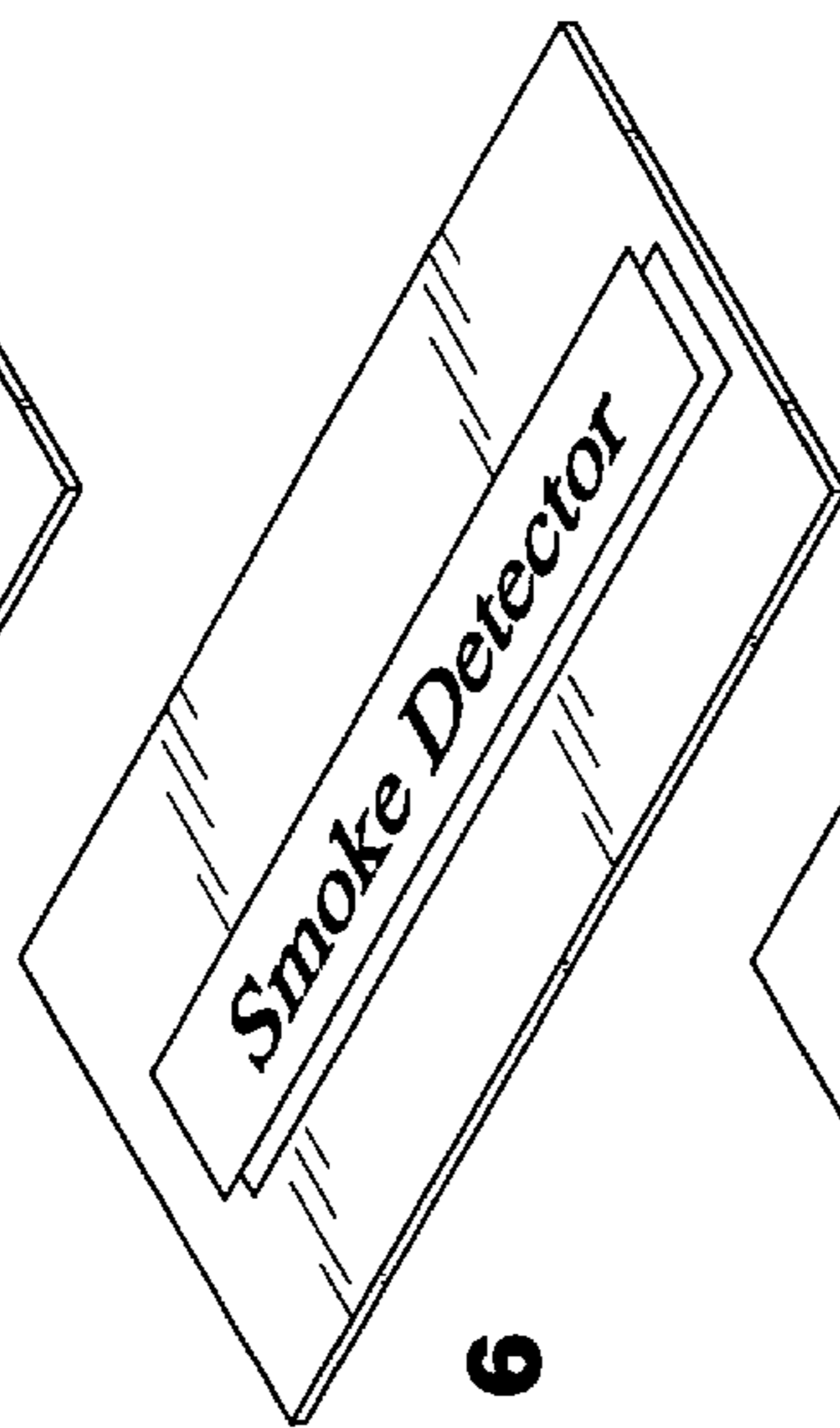


Fig. 6

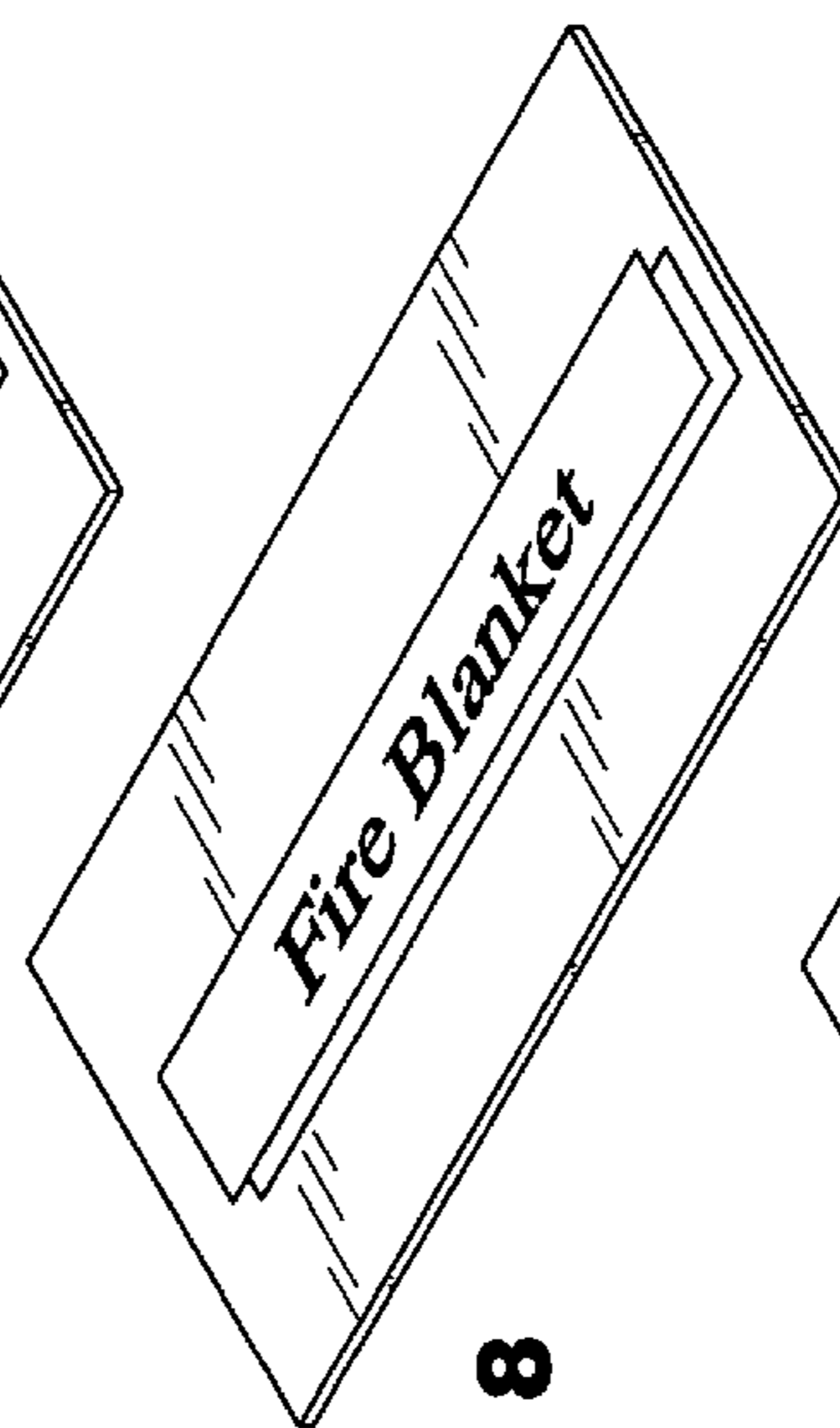


Fig. 8

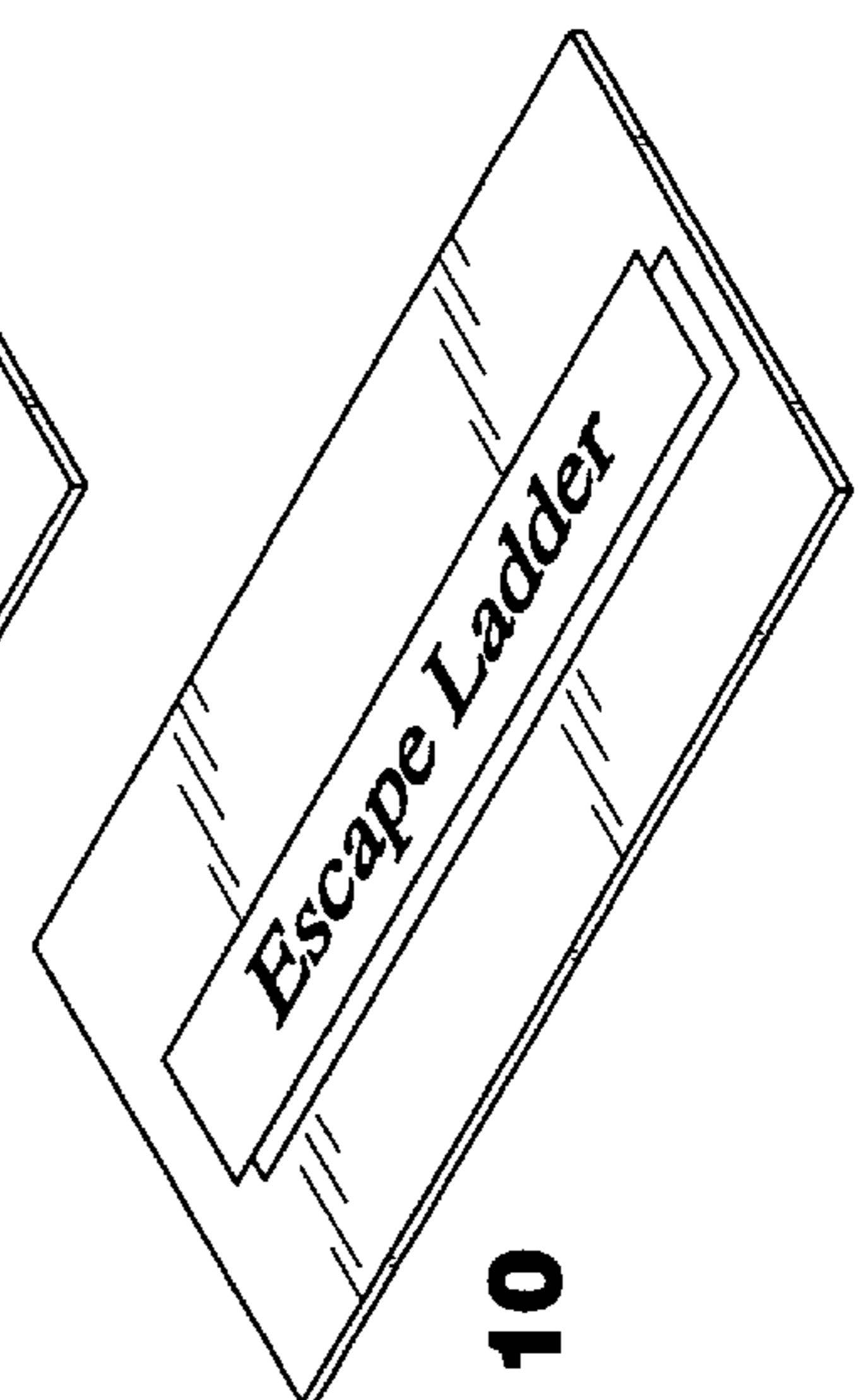


Fig. 10

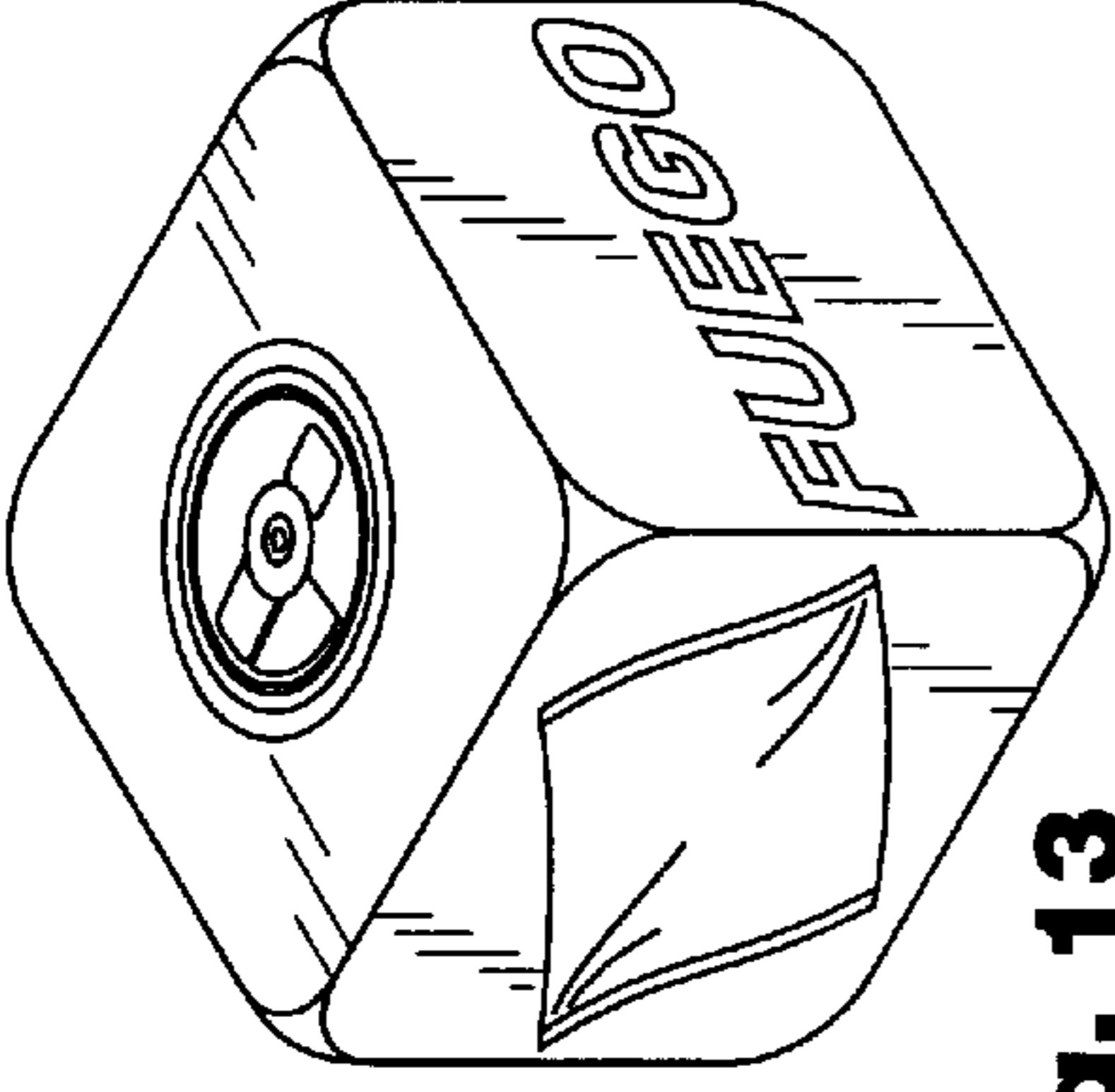


Fig. 13

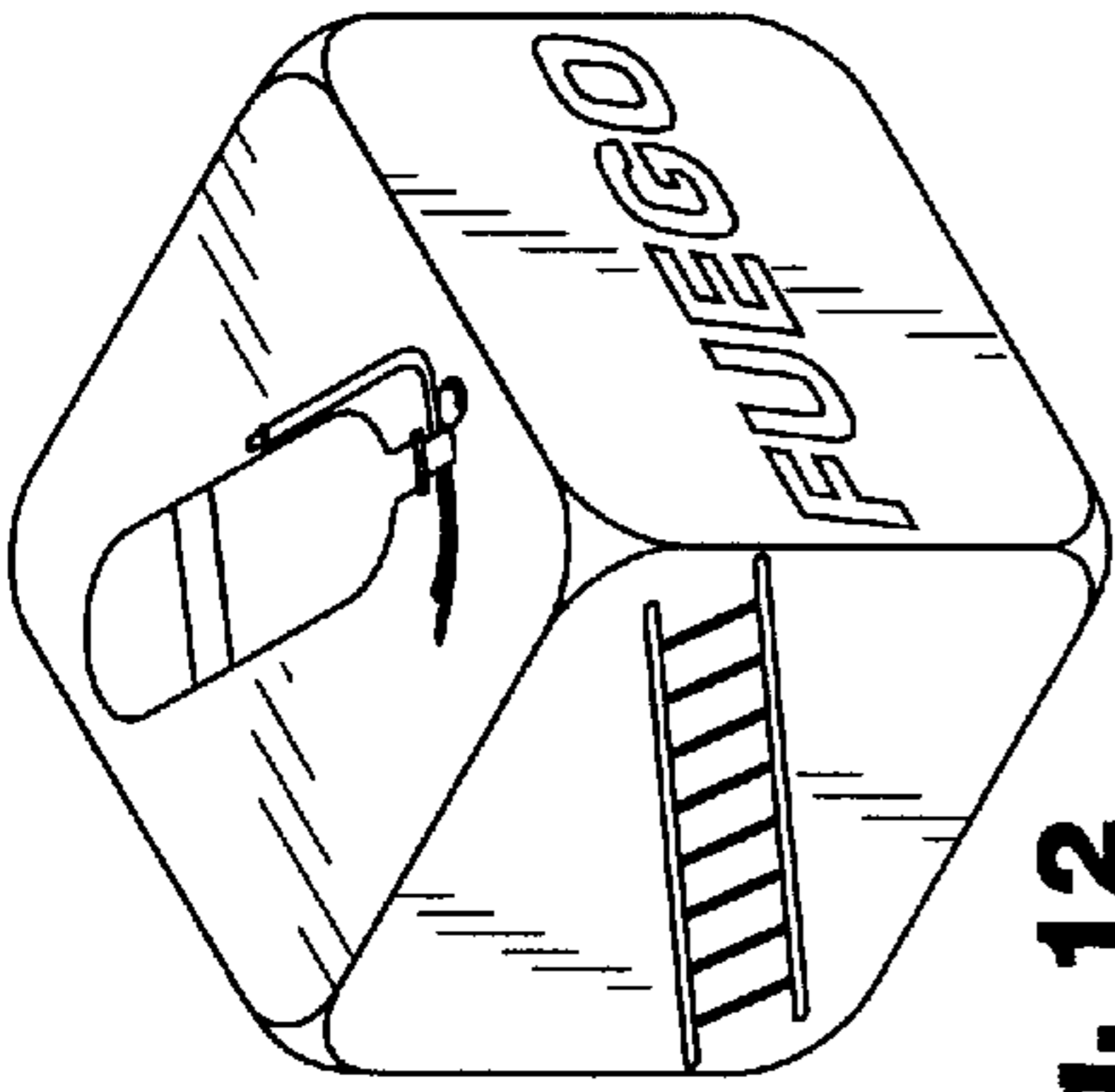


Fig. 12

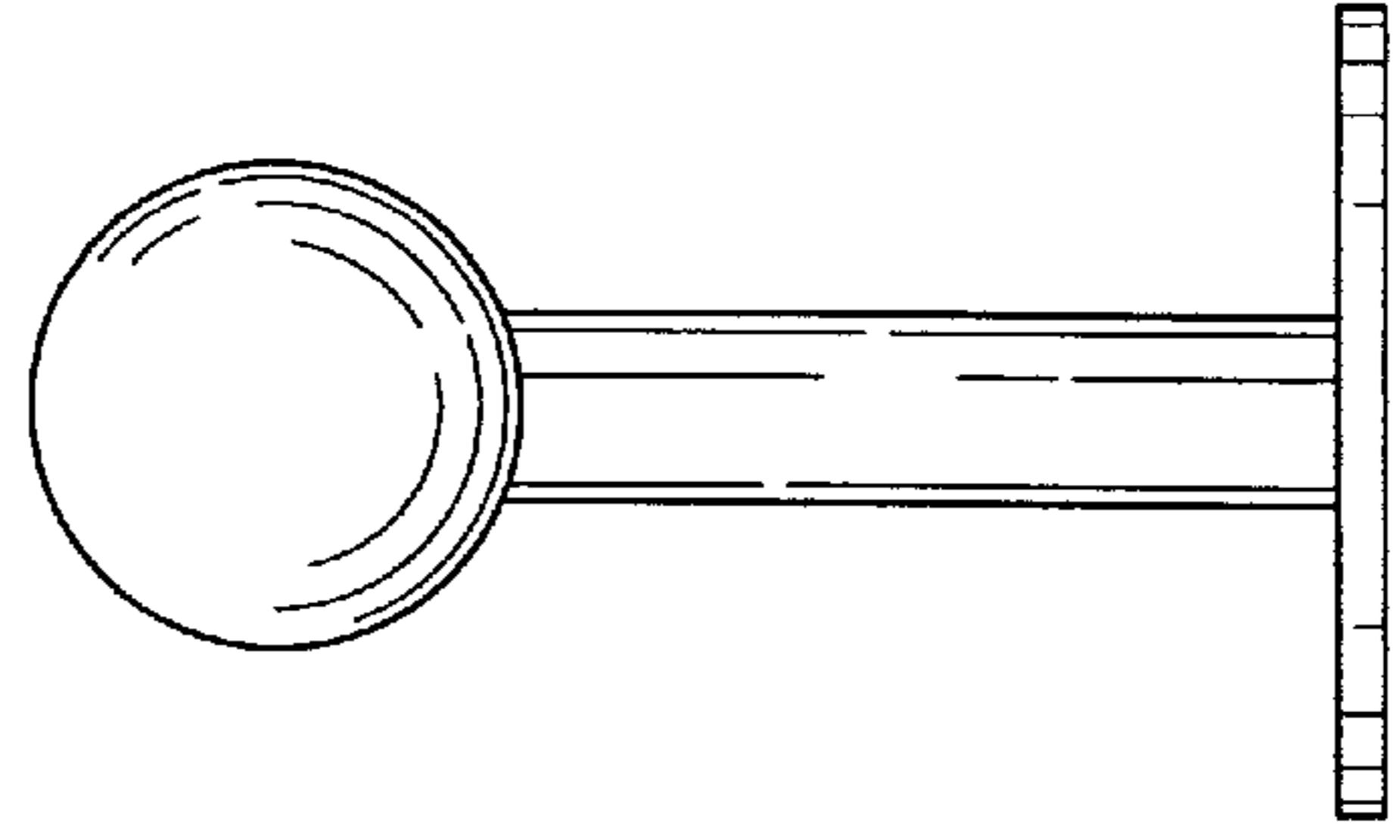


Fig. 15

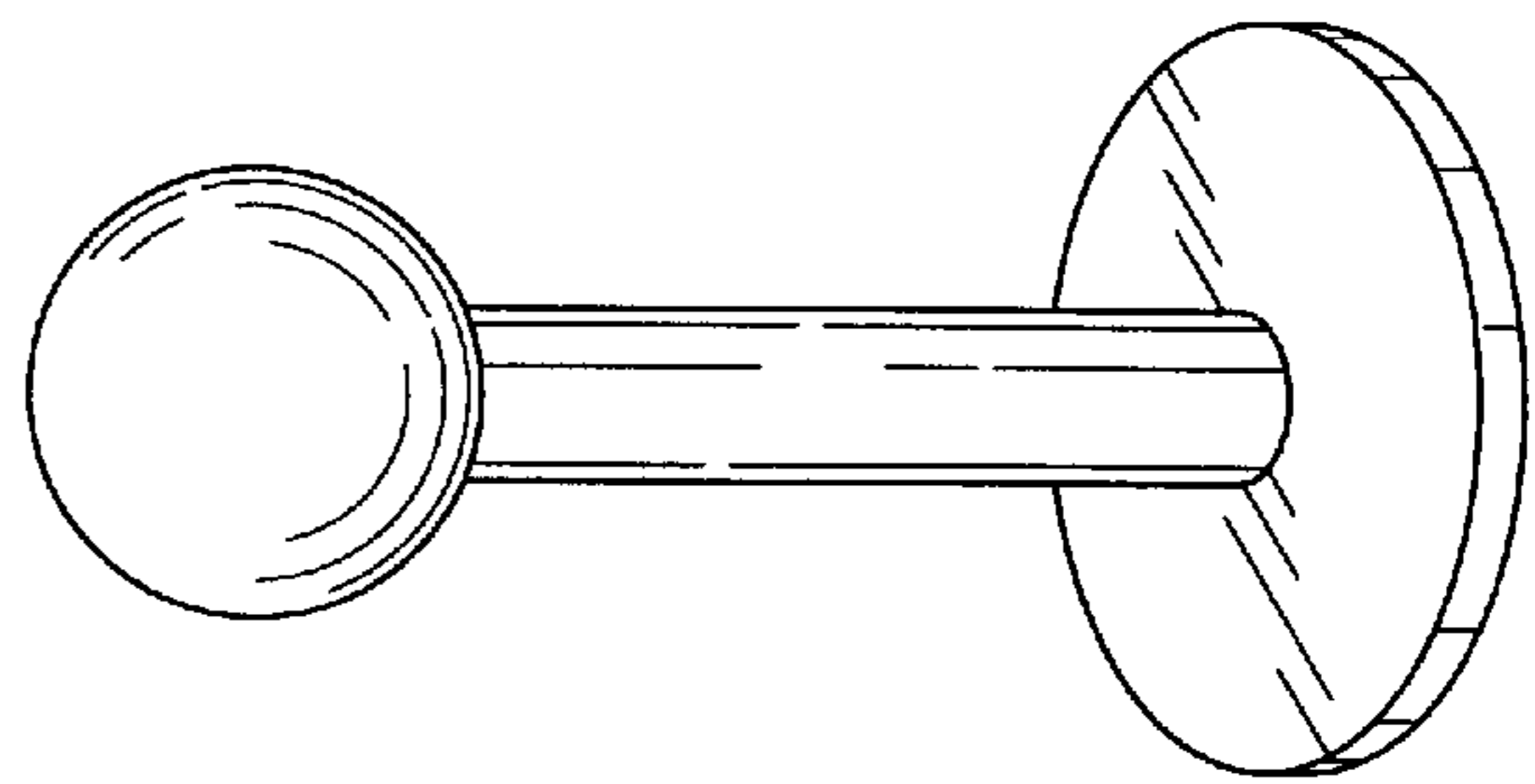


Fig. 14