



US00D399904S

United States Patent [19]

Burke et al.

[11] **Patent Number: Des. 399,904**

[45] **Date of Patent: **Oct. 20, 1998**

[54] **GAME BALL CONDITIONER**

[76] Inventors: **Lawrence M. Burke**, P.O. Box 1402, DeLeon Springs, Fla. 32130; **Ronald L. Shalla**, P.O. Box 3189, Deland, Fla. 32723

[**] Term: **14 Years**

[21] Appl. No.: **40,260**

[22] Filed: **Jun. 14, 1995**

Related U.S. Application Data

[63] Continuation-in-part of Ser. No. 165,227, Dec. 10, 1993, Pat. No. 5,463,787.

[51] **LOC (6) Cl.** **21-02**

[52] **U.S. Cl.** **D21/234**

[58] **Field of Search** D21/234, 205; D32/40, 43, 35; D3/221, 224, 228, 254, 255; 15/21.2, 21.1, 97.1, 104.92; 273/162 A, 32 D; 224/918, 919, 163; 206/315.1, 315.9

[56] References Cited

U.S. PATENT DOCUMENTS

D. 84,305 6/1931 Smith D21/234 X

D. 228,395	9/1973	Warren	D21/234
D. 329,485	9/1992	Hollinger	D21/234
D. 356,134	3/1995	Muller et al.	D21/234
1,991,183	2/1935	Sundahl	15/21.2
2,540,687	2/1951	Netterstrom	15/21.2
5,339,486	8/1994	Persic, Jr.	15/21.2 X

Primary Examiner—Sandra L. Morris
Assistant Examiner—Mitchell I. Siegel
Attorney, Agent, or Firm—M. Conrad Huffstutler

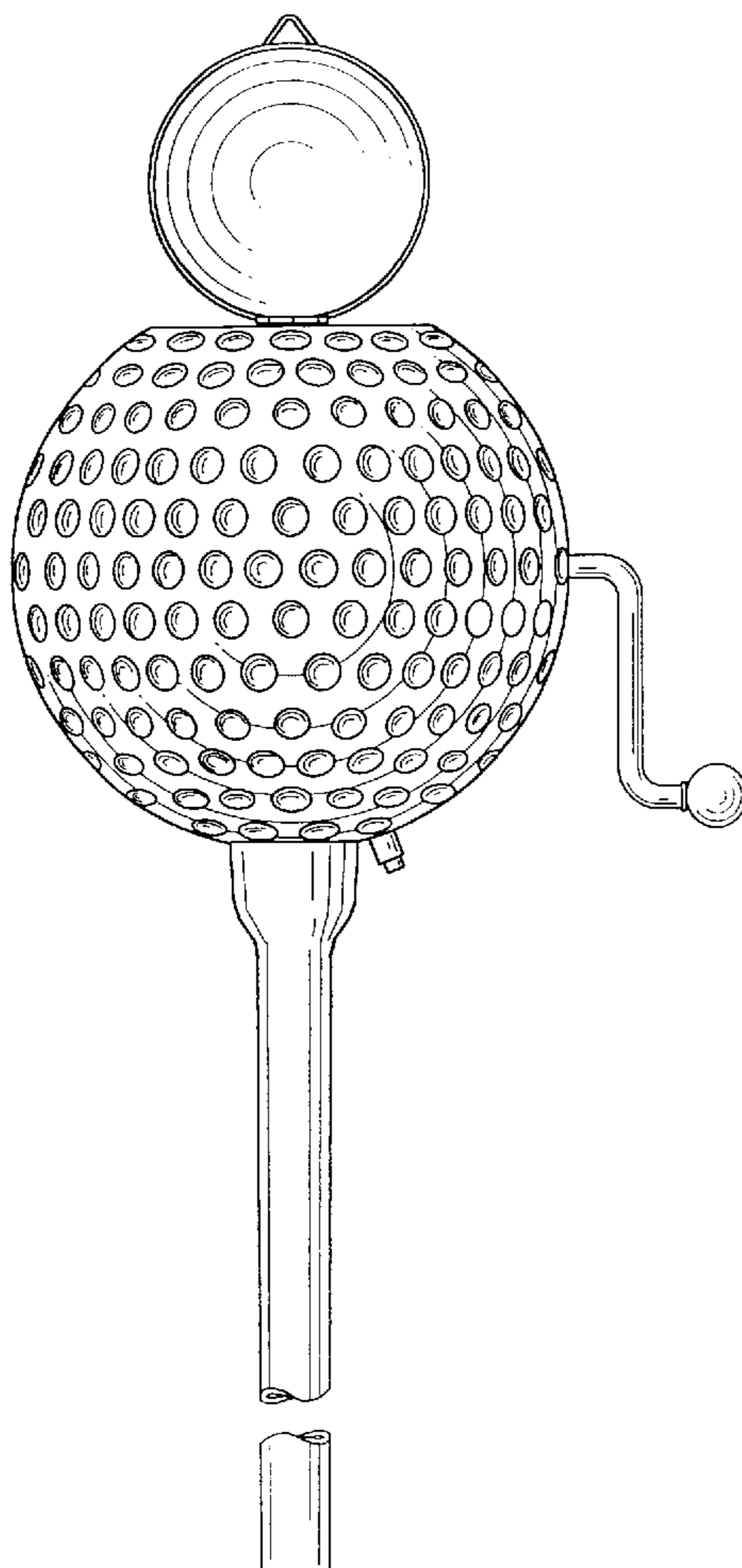
[57] CLAIM

The ornamental design for the game ball conditioner, as shown.

DESCRIPTION

FIG. 1 is a front elevation view of game ball conditioner; FIG. 2 is a left side elevational view thereof; FIG. 3 is a right side elevational view thereof; FIG. 4 is a rear elevational view thereof; FIG. 5 is a top or plan view thereof; and, FIG. 6 is a bottom view thereof.

1 Claim, 3 Drawing Sheets



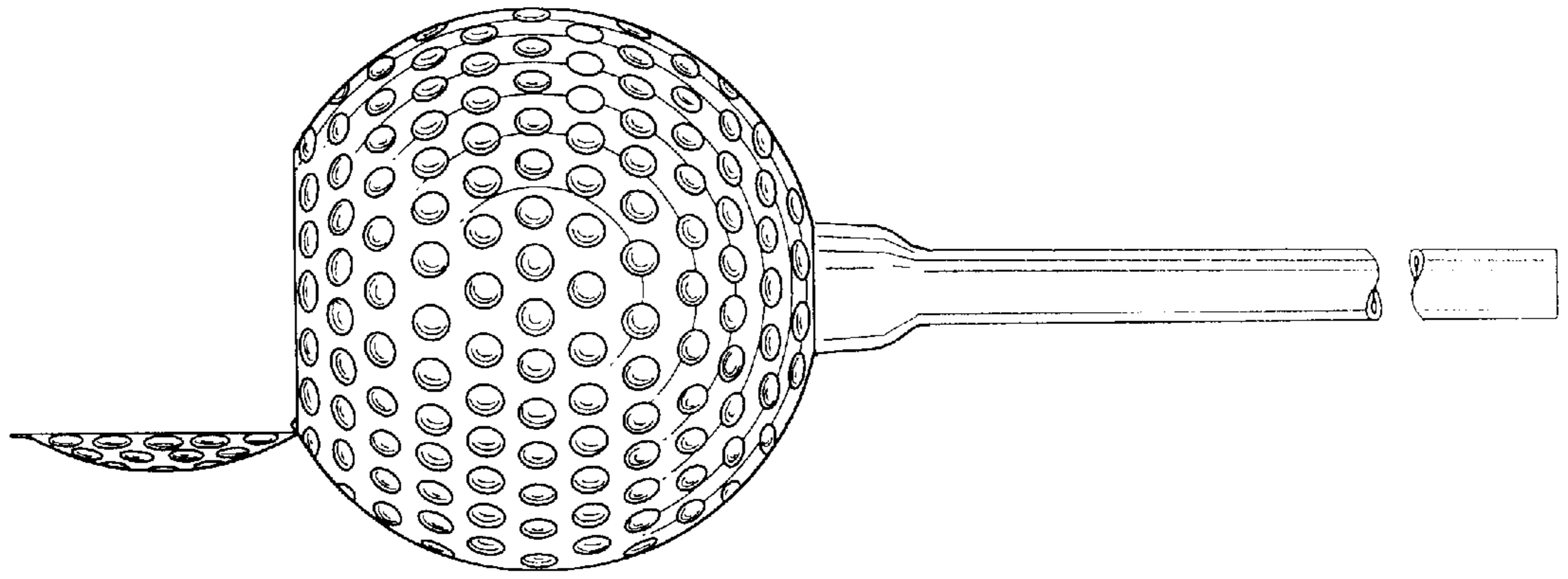


Fig. 2

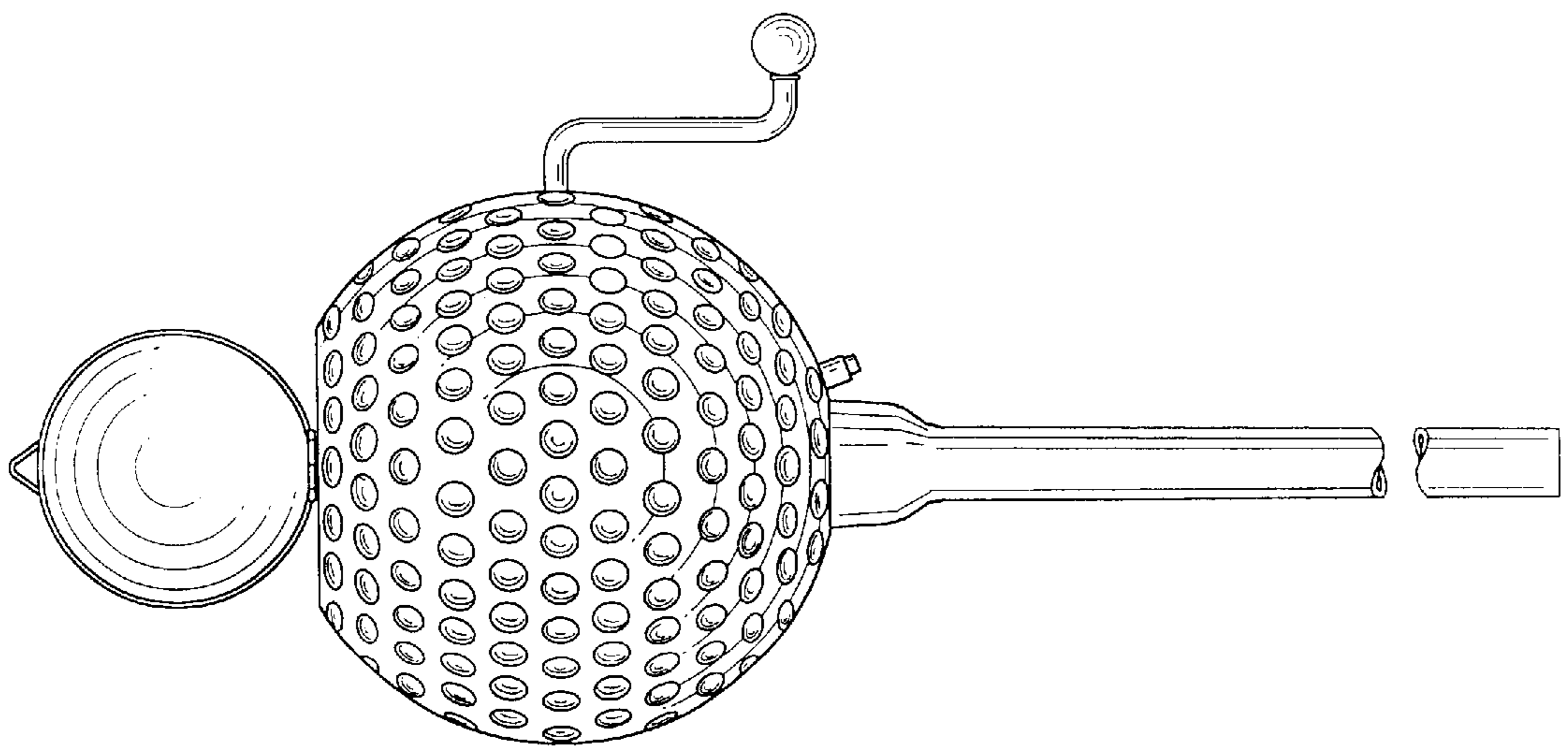


Fig. 1

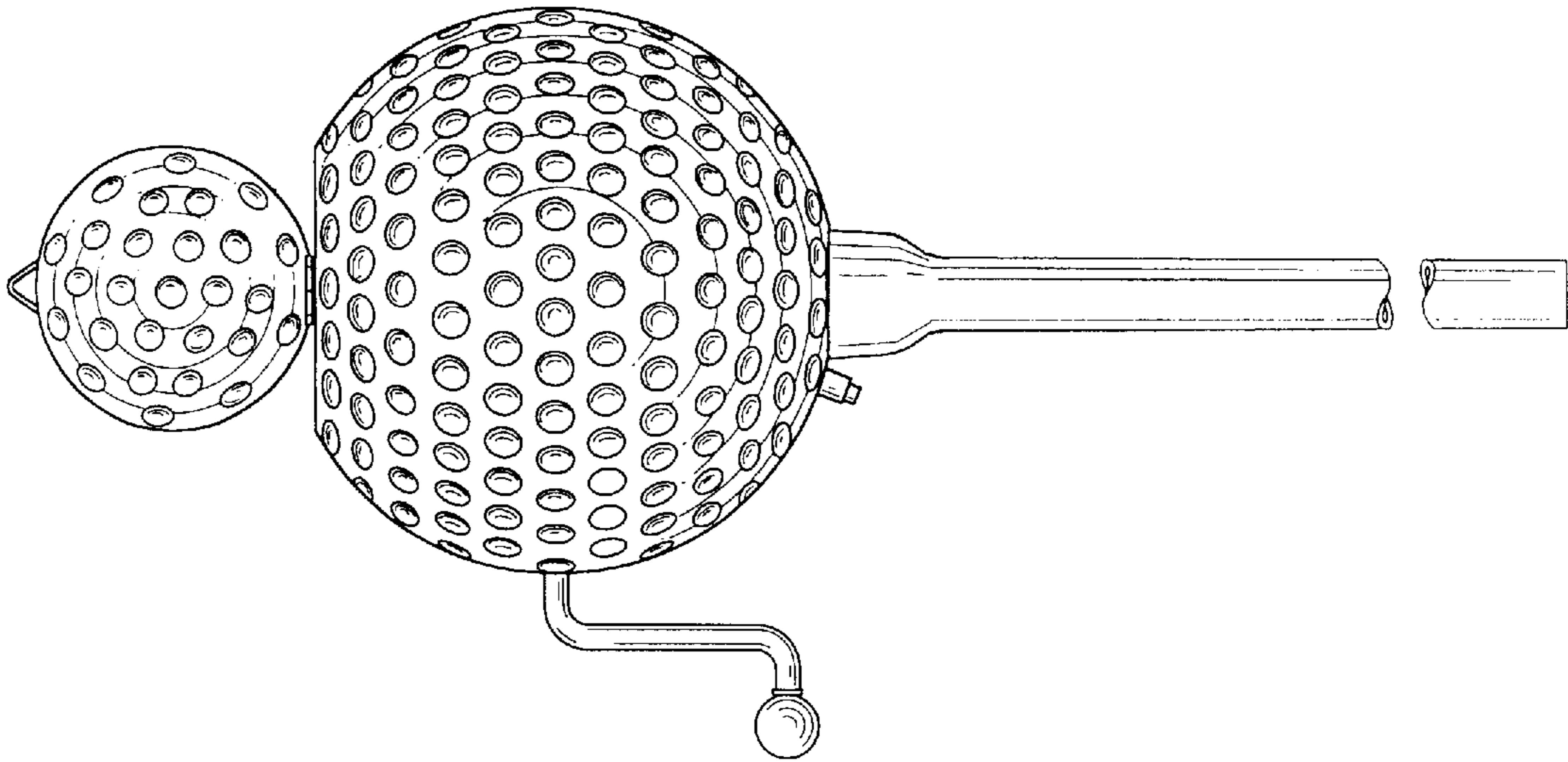


Fig. 4

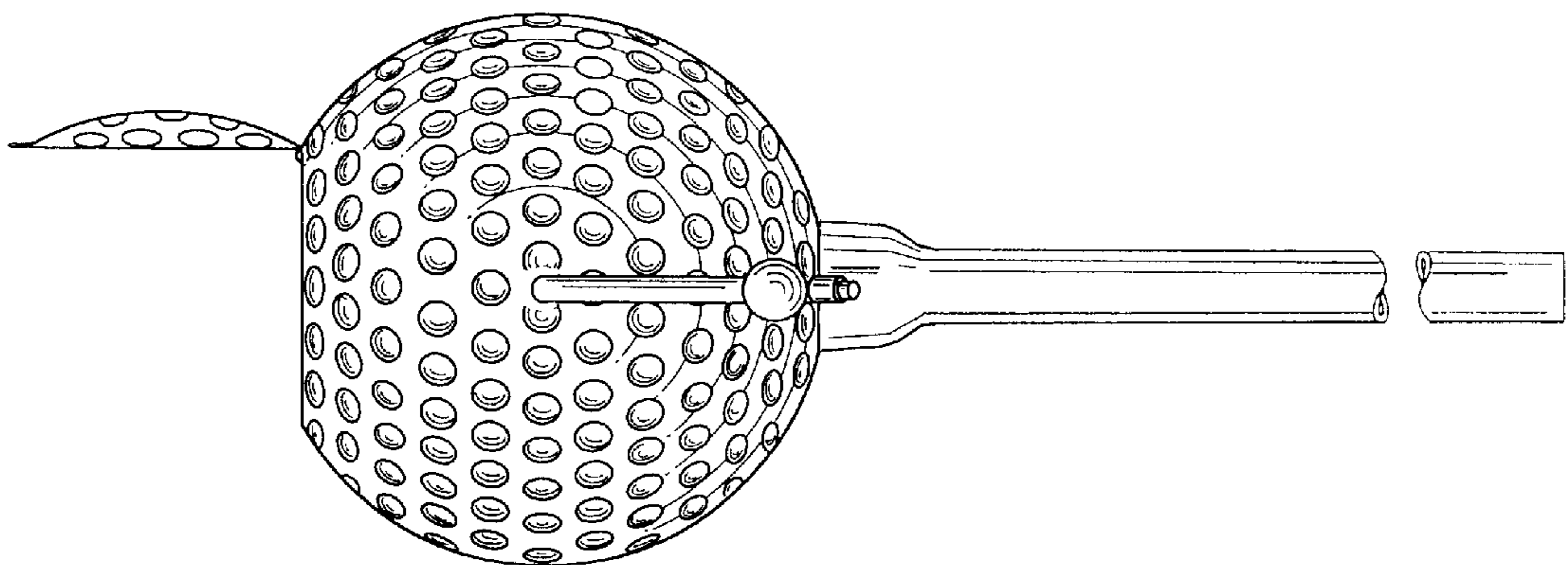


Fig. 3

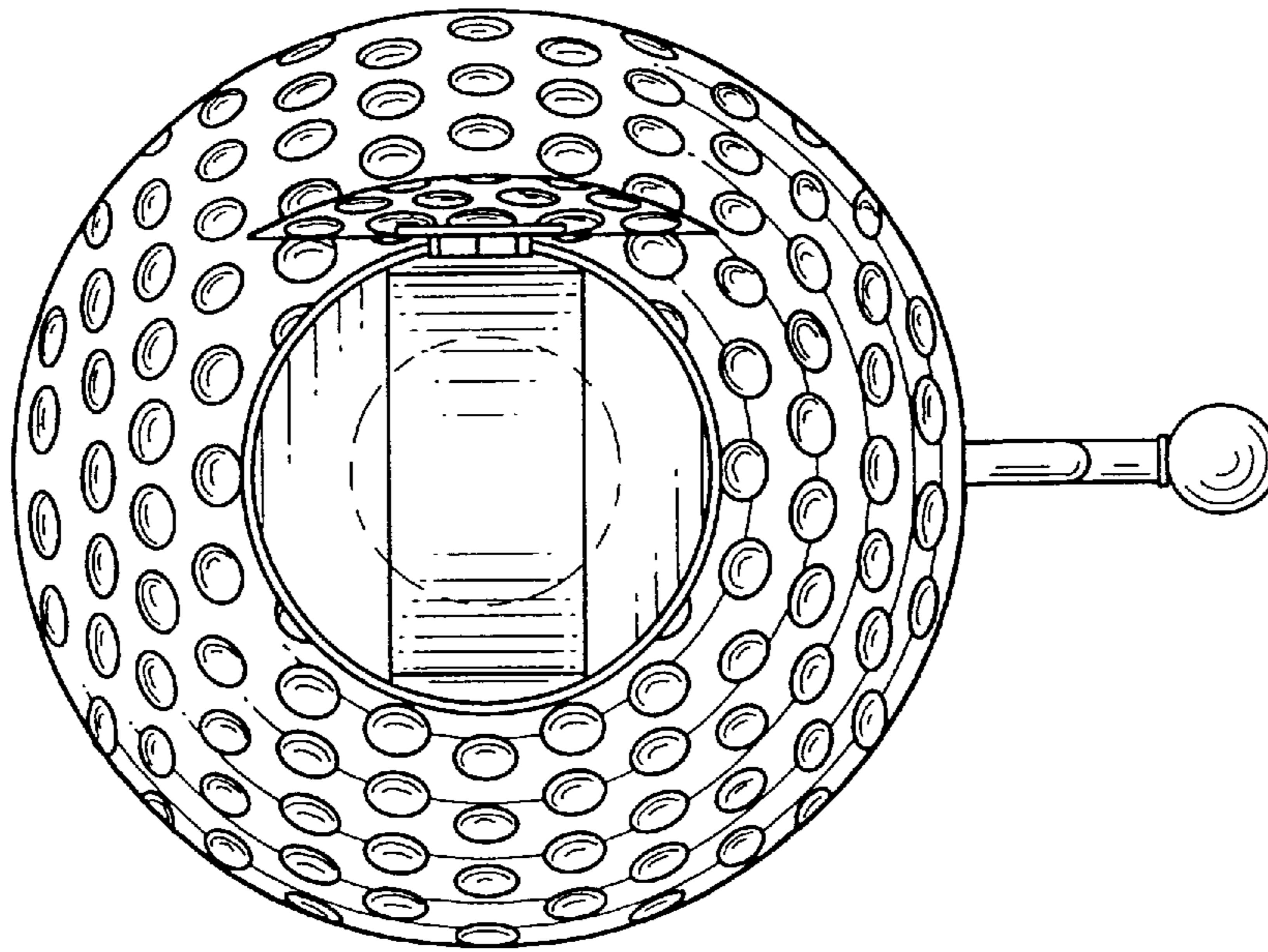


Fig. 5

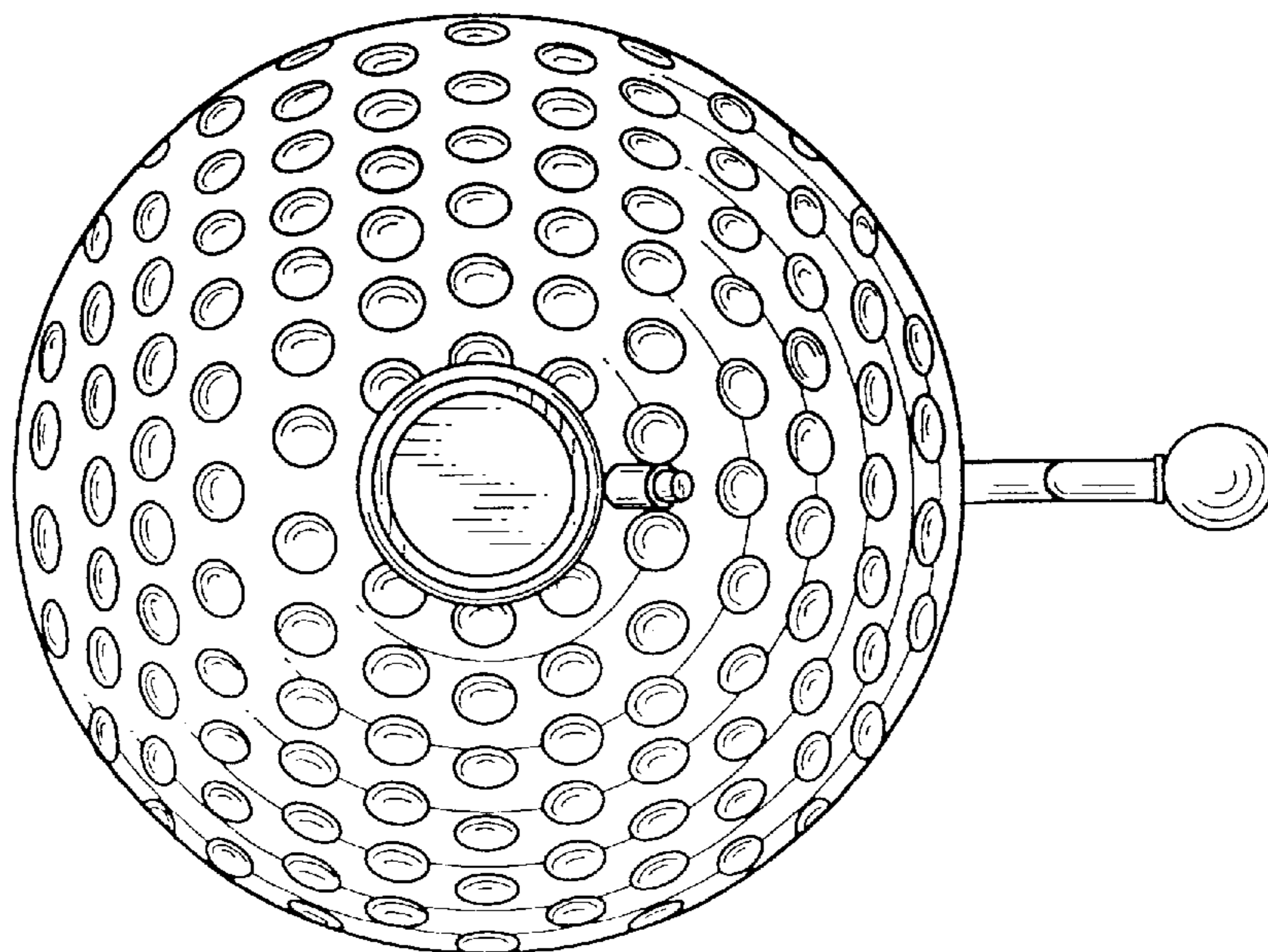


Fig. 6