



US00D399900S

# United States Patent [19] Hogan

[11] **Patent Number: Des. 399,900**

[45] **Date of Patent: \*\*Oct. 20, 1998**

[54] **PUTTER HEAD**

[75] Inventor: **Charles Nelson Hogan**, Phoenix, Ariz.

[73] Assignee: **Holey-Moley LLC**, Hayden Lake, Id.

[\*\*] Term: **14 Years**

[21] Appl. No.: **79,019**

[22] Filed: **Nov. 6, 1997**

[51] **LOC (6) Cl. .... 21-02**

[52] **U.S. Cl. .... D21/219**

[58] **Field of Search ..... D21/217-219;  
473/324, 327, 328, 340, 341**

[56] **References Cited**

**U.S. PATENT DOCUMENTS**

- D. 199,850 12/1964 Taylor ..... D21/219 X
- D. 375,131 10/1996 Williams ..... D21/219
- 1,589,926 6/1926 Beamer ..... 473/340

*Primary Examiner*—Sandra L. Morris  
*Assistant Examiner*—Mitchell I. Siegel  
*Attorney, Agent, or Firm*—Wells, St. John, Roberts, Gregory & Matkin, P.S.

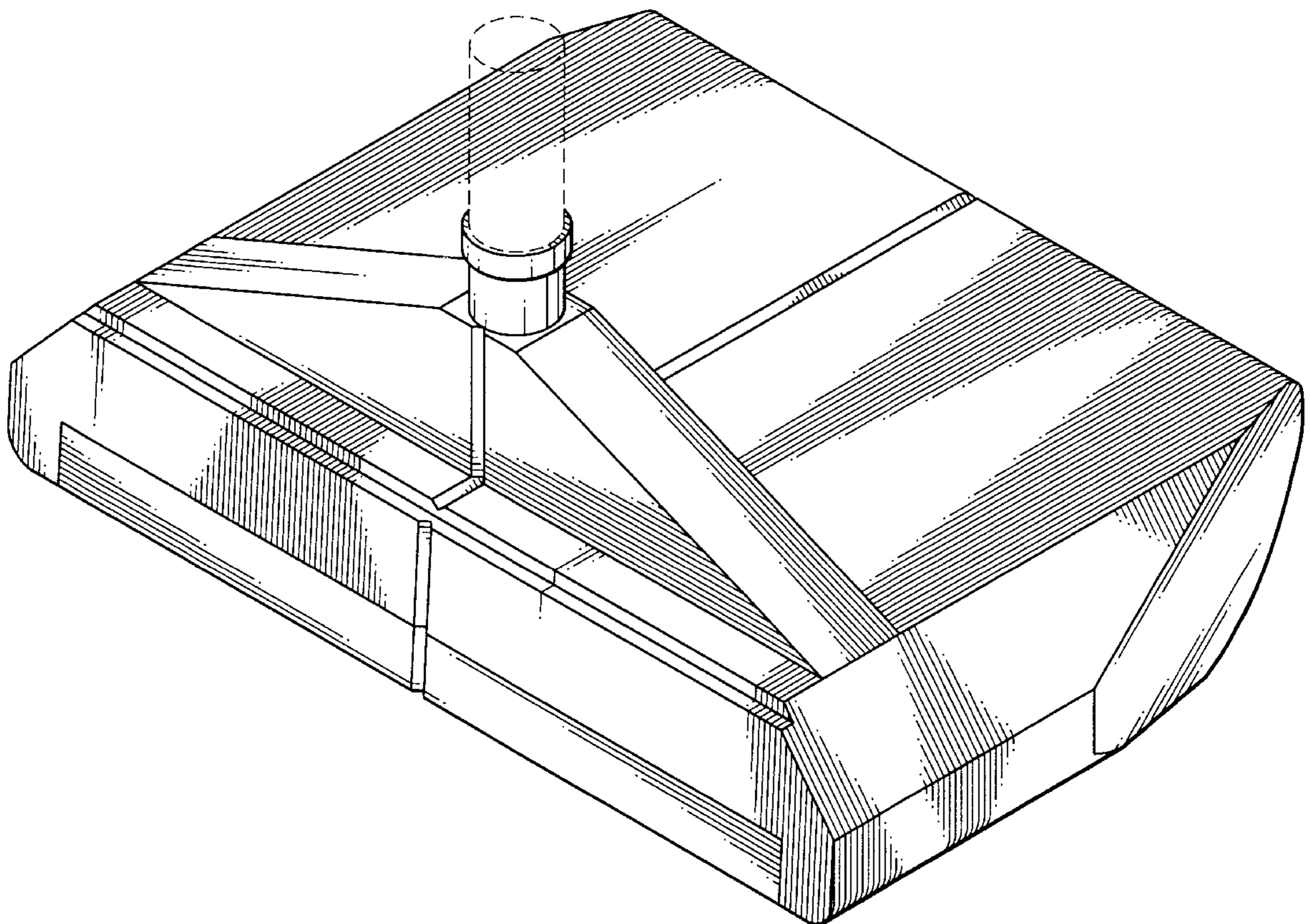
[57] **CLAIM**

The ornamental design for a putter head, as shown and described.

**DESCRIPTION**

FIG. 1 is a perspective view of a putter head showing my new design;  
FIG. 2 is a top plan view thereof;  
FIG. 3 is a bottom plan view thereof;  
FIG. 4 is a front elevational view thereof;  
FIG. 5 is a left side elevational view thereof; and,  
FIG. 6 is a rear elevational view thereof.  
The broken line showing of a fragmented shaft is for illustrative purposes only and forms no part of the claimed design.

**1 Claim, 3 Drawing Sheets**



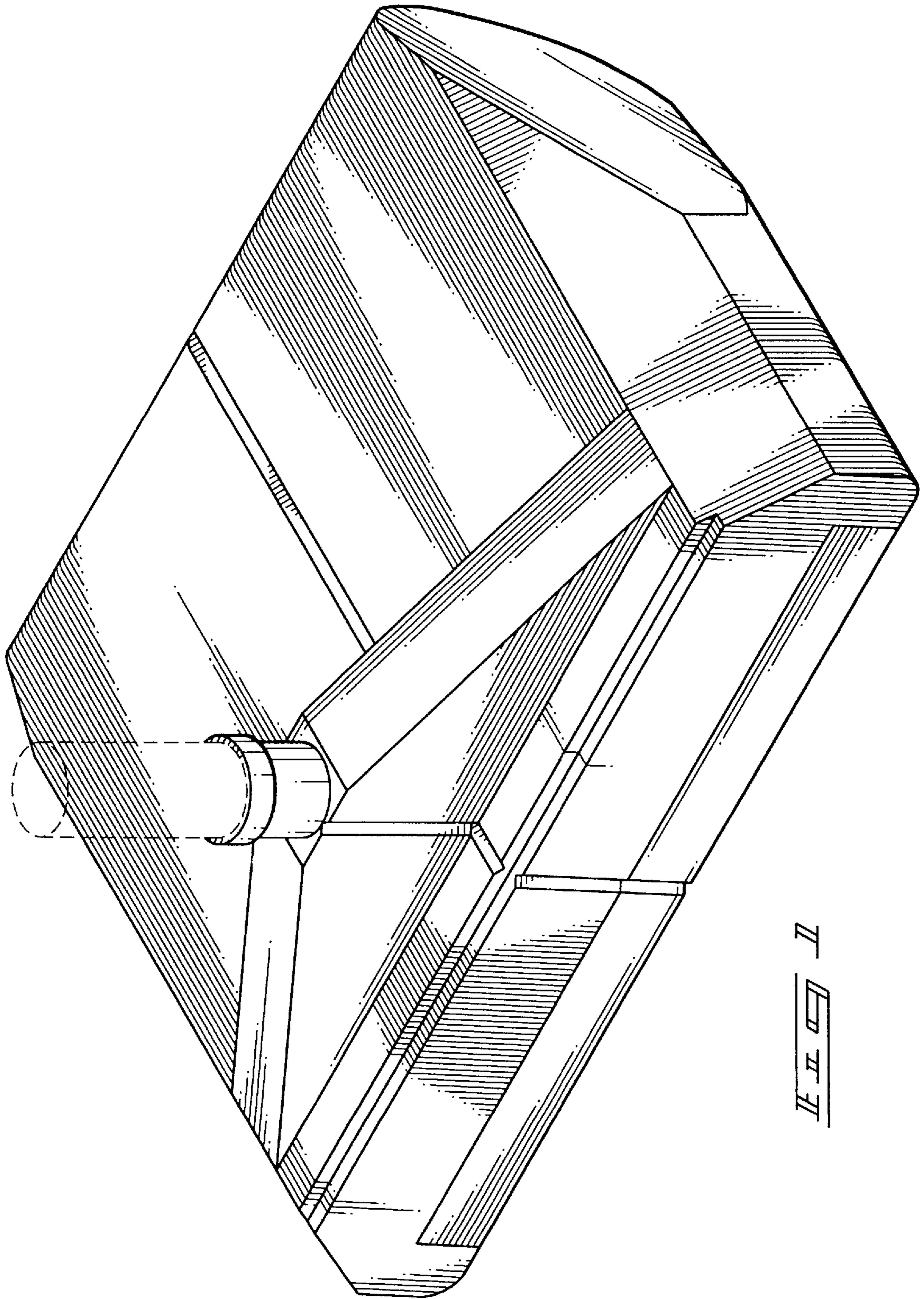


FIG. 1

