



US00D399899S

United States Patent [19]
Sizemore, Jr.

[11] **Patent Number: Des. 399,899**

[45] **Date of Patent: **Oct. 20, 1998**

[54] **GOLF PUTTER HEAD**

[75] Inventor: **Bruce E. Sizemore, Jr.**, Palm Harbor, Fla.

[73] Assignee: **Bruce E. Sizemore, Jr. Golf Design, L.L.C.**, Bloomfield Hills, Mich.

[**] Term: **14 Years**

[21] Appl. No.: **73,858**

[22] Filed: **Jul. 21, 1997**

[51] **LOC (6) Cl.** **21-02**

[52] **U.S. Cl.** **D21/211**

[58] **Field of Search** D21/217-219;
473/324, 327, 340, 341, 350

[56] **References Cited**

U.S. PATENT DOCUMENTS

D. 240,751	7/1976	Taylor	D21/217
D. 256,262	8/1980	Benson	D21/219
D. 347,253	5/1994	Cook	D21/219
D. 364,205	11/1995	Duclos	D21/217
D. 368,751	4/1996	Rife	D21/219
D. 384,124	9/1997	Lamanna	D21/219
5,285,990	2/1994	Engel	248/156

5,489,097	2/1996	Simmons	473/326
5,533,728	7/1996	Pehoski et al.	473/341 X
5,683,307	11/1997	Rife	473/350

Primary Examiner—Sandra L. Morris
Assistant Examiner—Mitchell I. Siegel
Attorney, Agent, or Firm—Harness, Dickey & Pierce, P.L.C.

[57] **CLAIM**

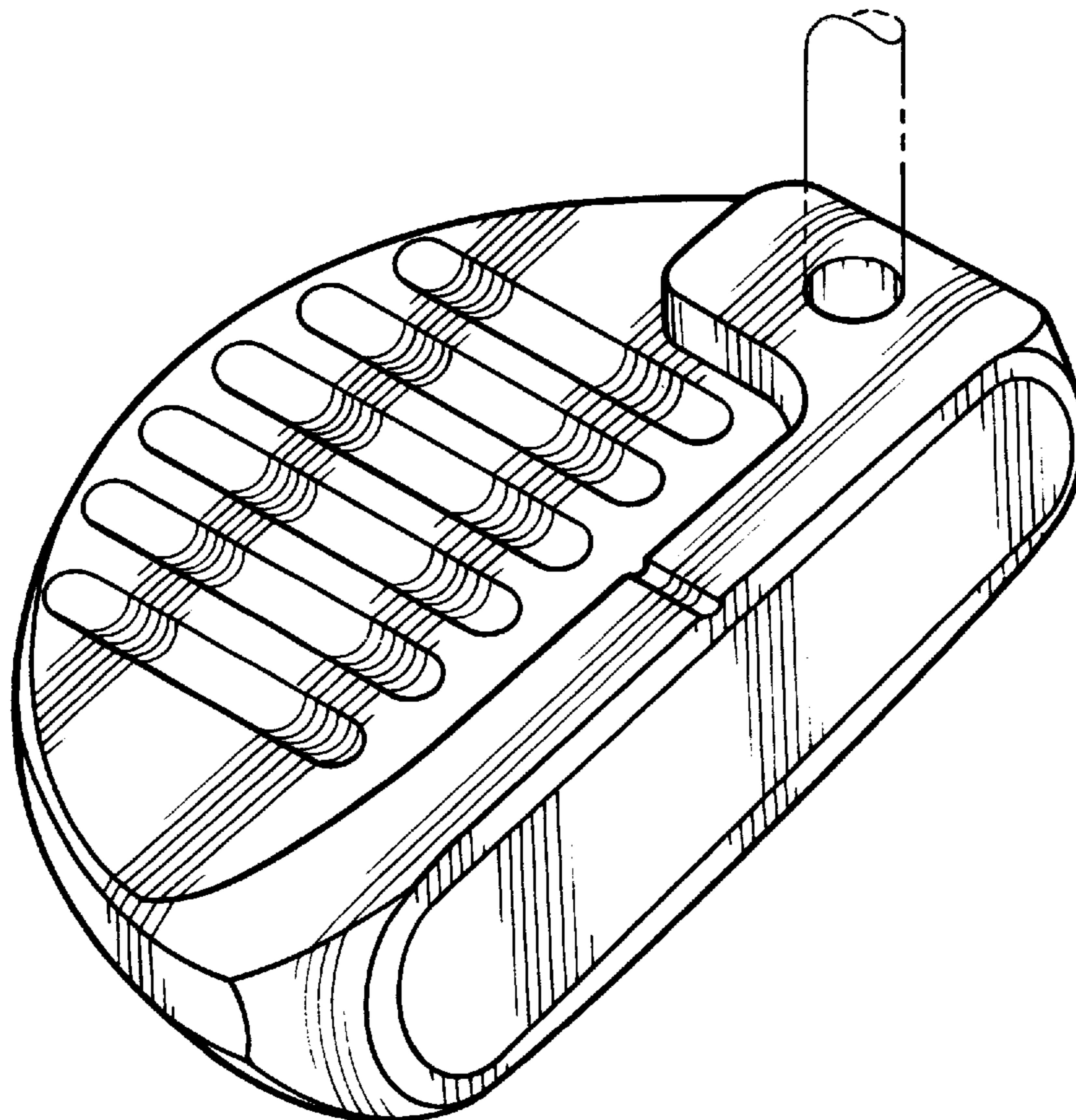
The ornamental design for a golf putter head, as shown and described.

DESCRIPTION

FIG. 1 is a perspective view of a golf putter head in accordance with my new design;
FIG. 2 is a front view thereof;
FIG. 3 is a rear view thereof;
FIG. 4 is a top view thereof;
FIG. 5 is a bottom view thereof;
FIG. 6 is a right side view thereof; and,
FIG. 7 is a left side view thereof.

The broken line showing of a fragmented shaft is for illustrative purposes only and forms no part of the claimed design.

1 Claim, 2 Drawing Sheets



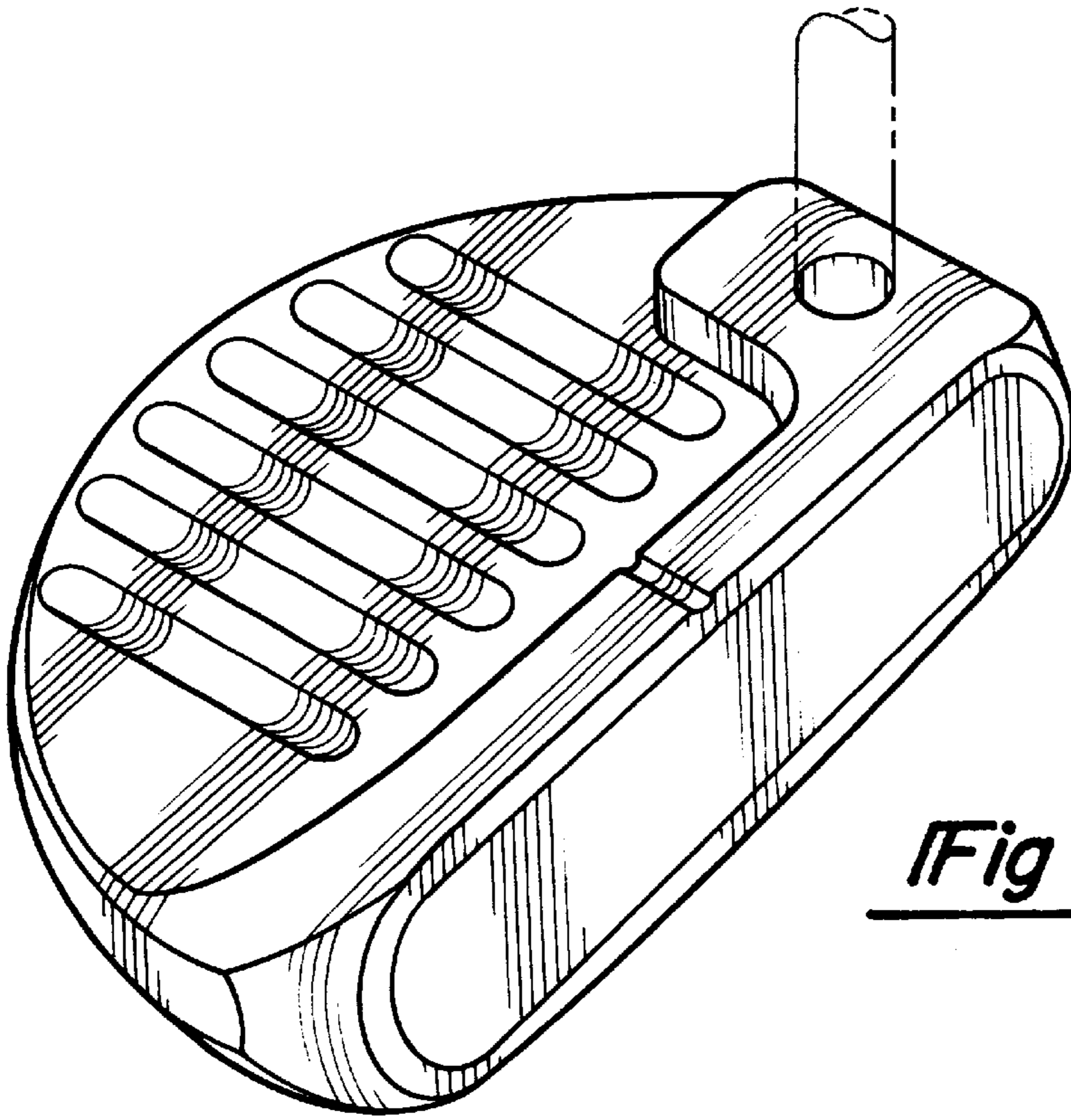


Fig - 1

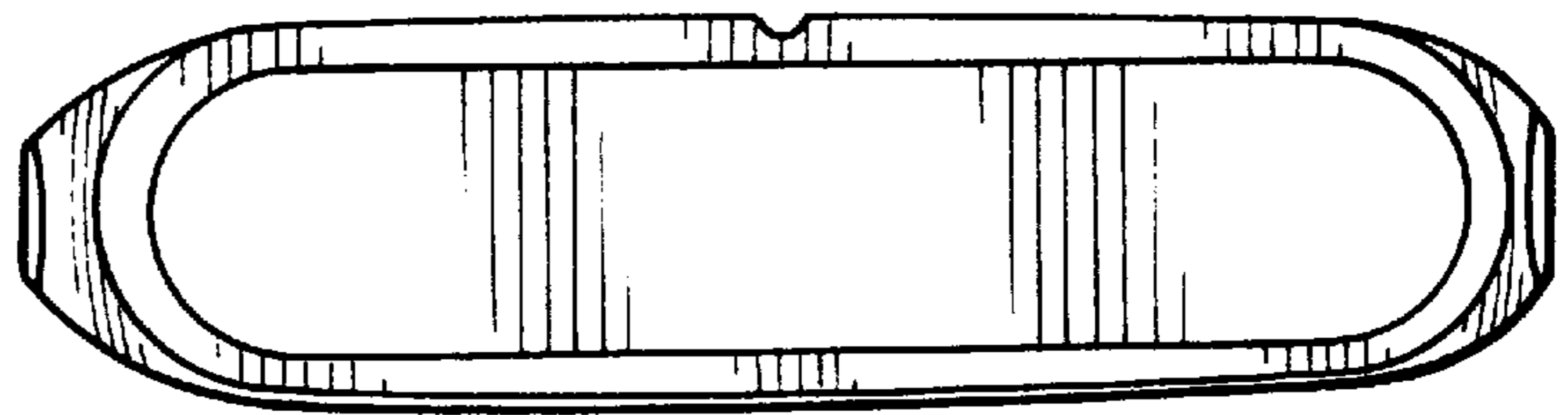


Fig - 2

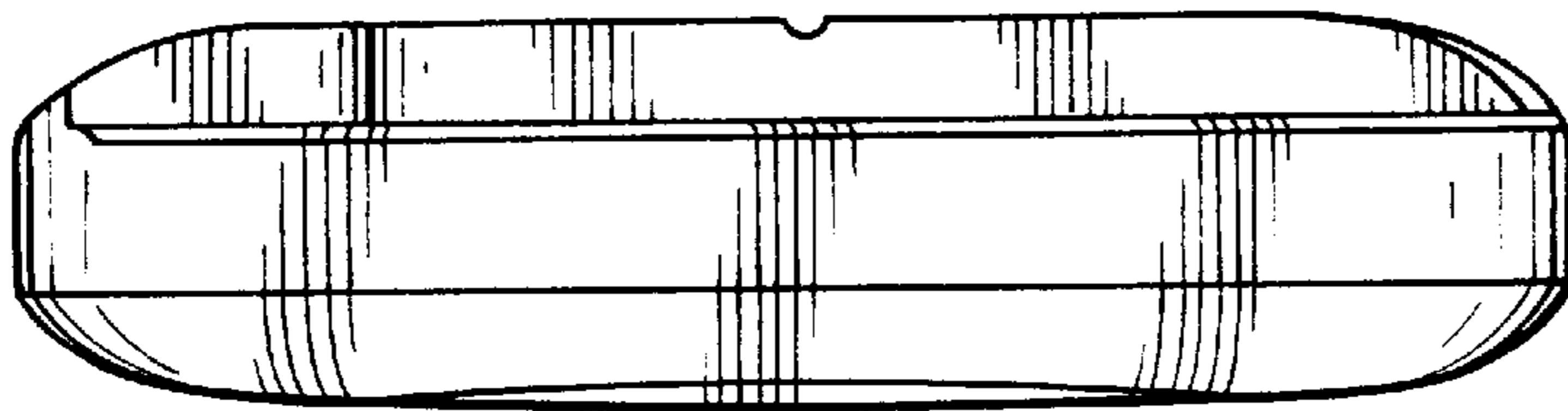


Fig - 3

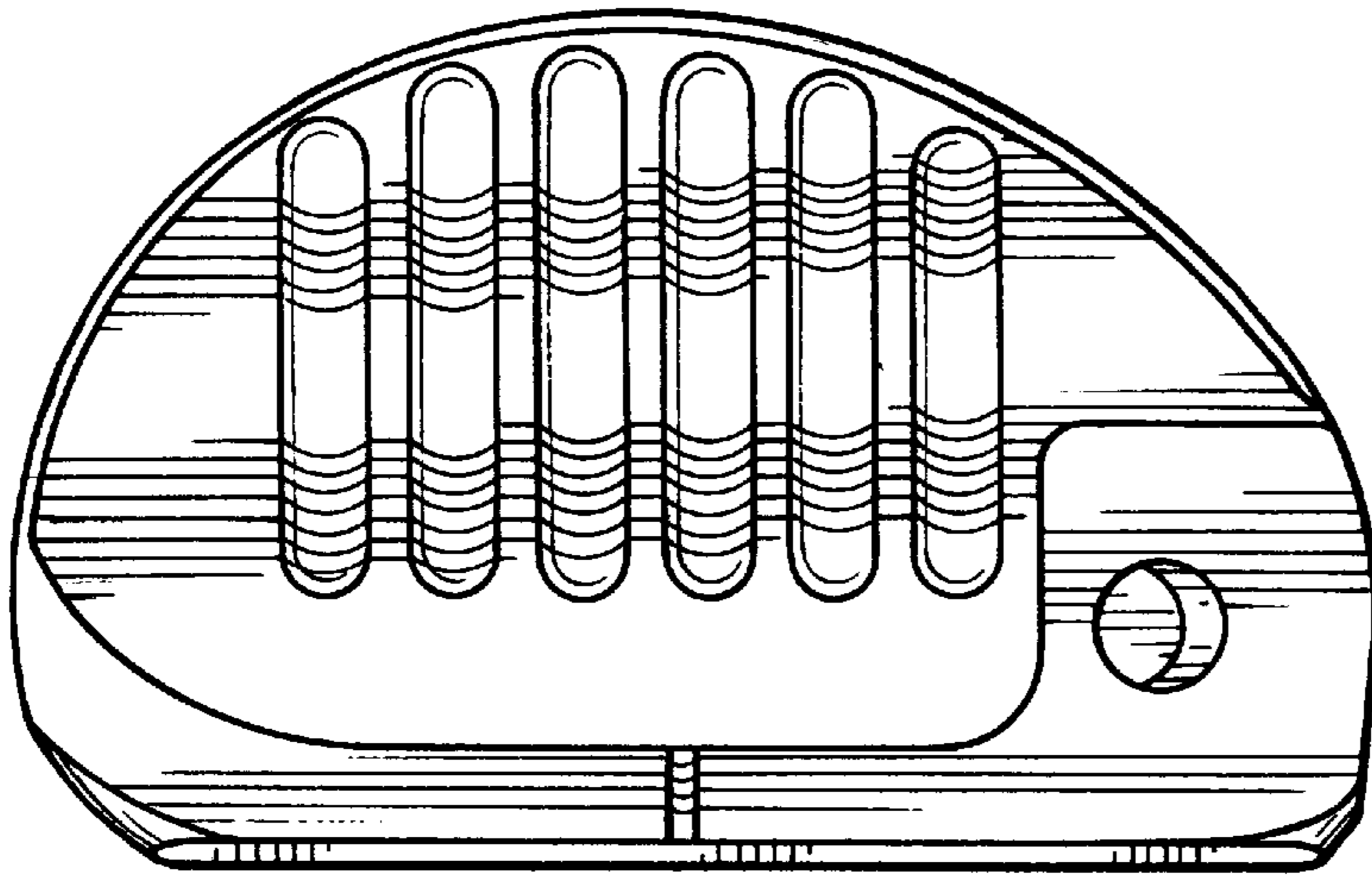


Fig - 4

Fig - 5

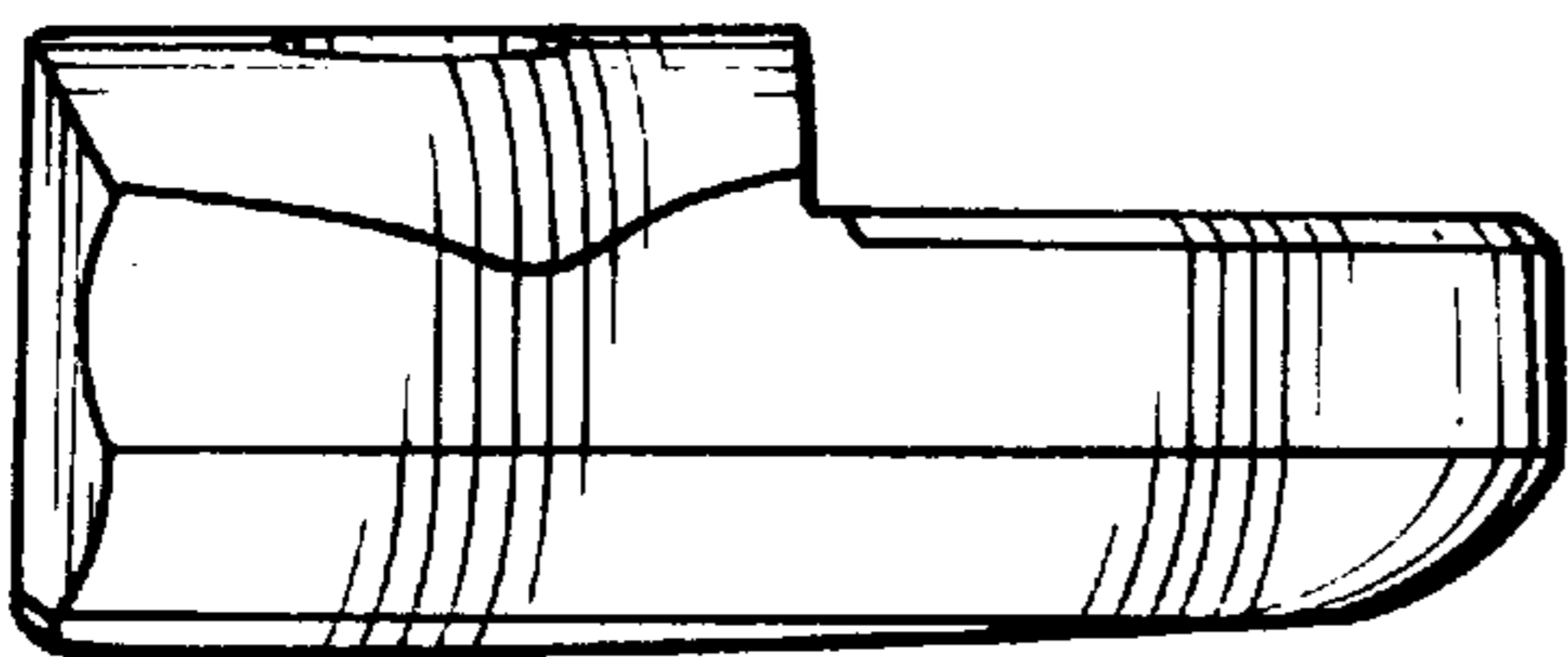
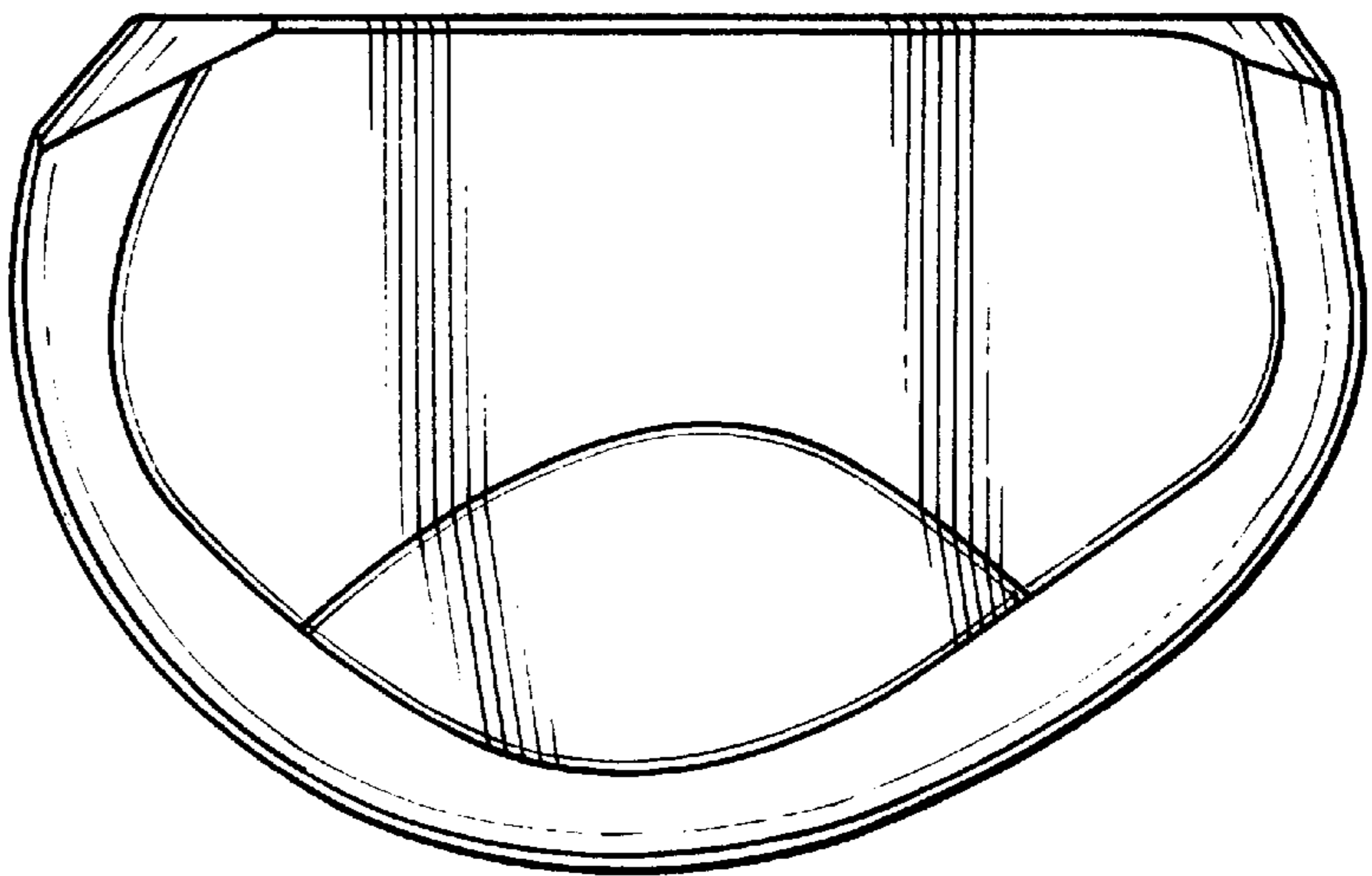


Fig - 6

Fig - 7

