



US00D399896S

United States Patent [19] Plain

[11] **Patent Number: Des. 399,896**

[45] **Date of Patent: **Oct. 20, 1998**

[54] **GOLF TEE SIGHTING DEVICE**

[76] Inventor: **S. James Plain**, 9875 Brunswick Way,
San Ramon, Calif. 94583

[**] Term: **14 Years**

[21] Appl. No.: **76,494**

[22] Filed: **Sep. 17, 1997**

[51] **LOC (6) Cl. 21-02**

[52] **U.S. Cl. D21/208; D21/234**

[58] **Field of Search D21/234, 208;
473/392, 394, 398, 386, 387**

[56] **References Cited**

U.S. PATENT DOCUMENTS

D. 158,622	5/1950	Sherwin	D21/234
D. 176,875	2/1956	Miller	D21/208
D. 181,338	11/1957	Beckwith	D21/208
D. 306,627	3/1990	Fox	D21/208
1,593,480	7/1926	Thompson	473/394

1,597,740	8/1926	Thompson	473/394
1,936,625	11/1933	Goldman	473/398
2,277,918	3/1942	Lehman	473/392
3,347,551	10/1967	Dreyfus	D21/208 X

Primary Examiner—Sandra L. Morris
Assistant Examiner—Mitchell I. Siegel
Attorney, Agent, or Firm—Bruce & McCoy

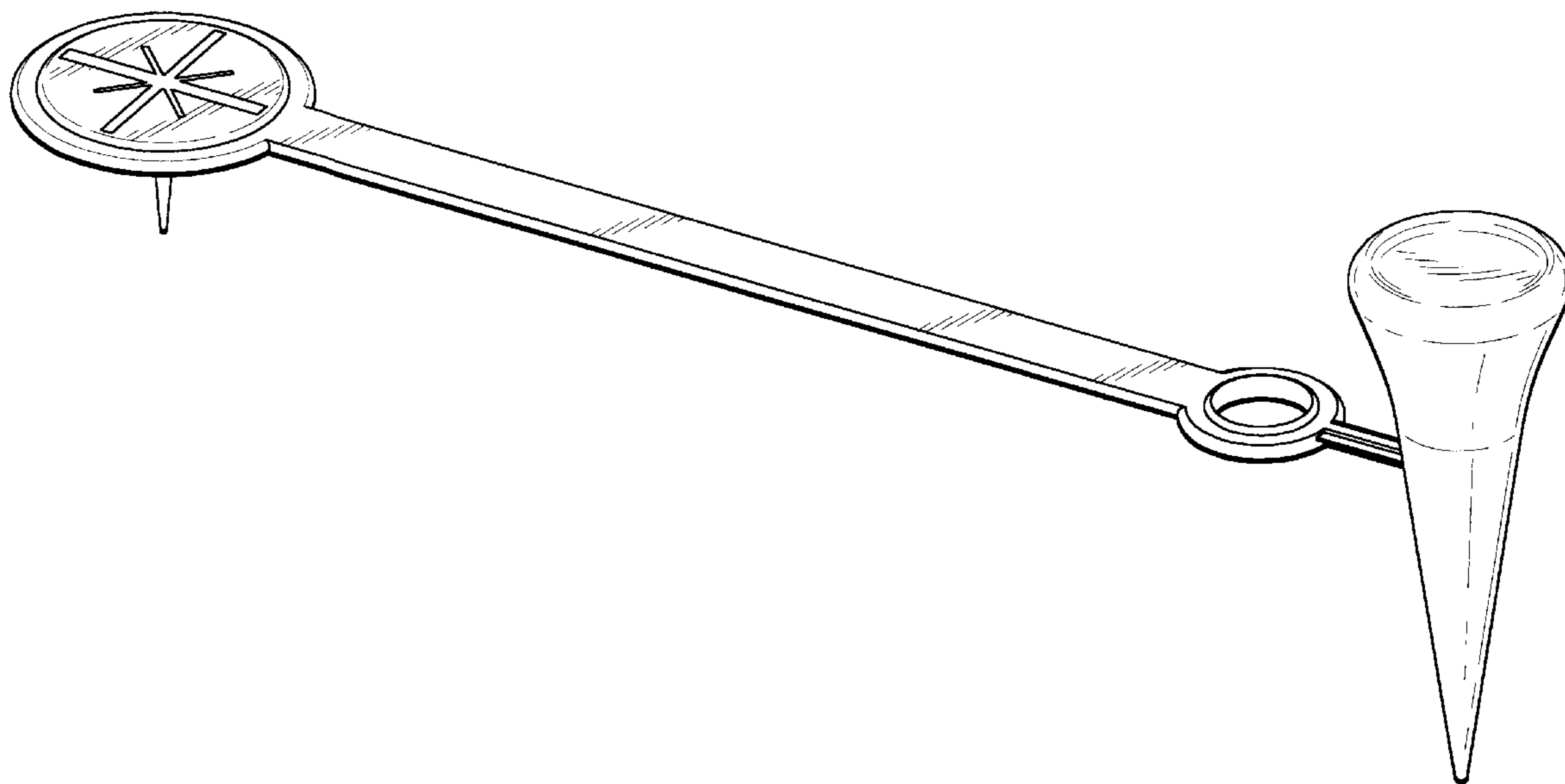
[57] **CLAIM**

The ornamental design for a golf tee sighting device, as shown and described.

DESCRIPTION

FIG. 1 is a perspective view showing my new design;
FIG. 2 is a side elevation thereof;
FIG. 3 is a top plan view thereof;
FIG. 4 is a bottom plan view thereof;
FIG. 5 is an end elevation thereof; and,
FIG. 6 is an opposite end elevation view of FIG. 5.

1 Claim, 2 Drawing Sheets



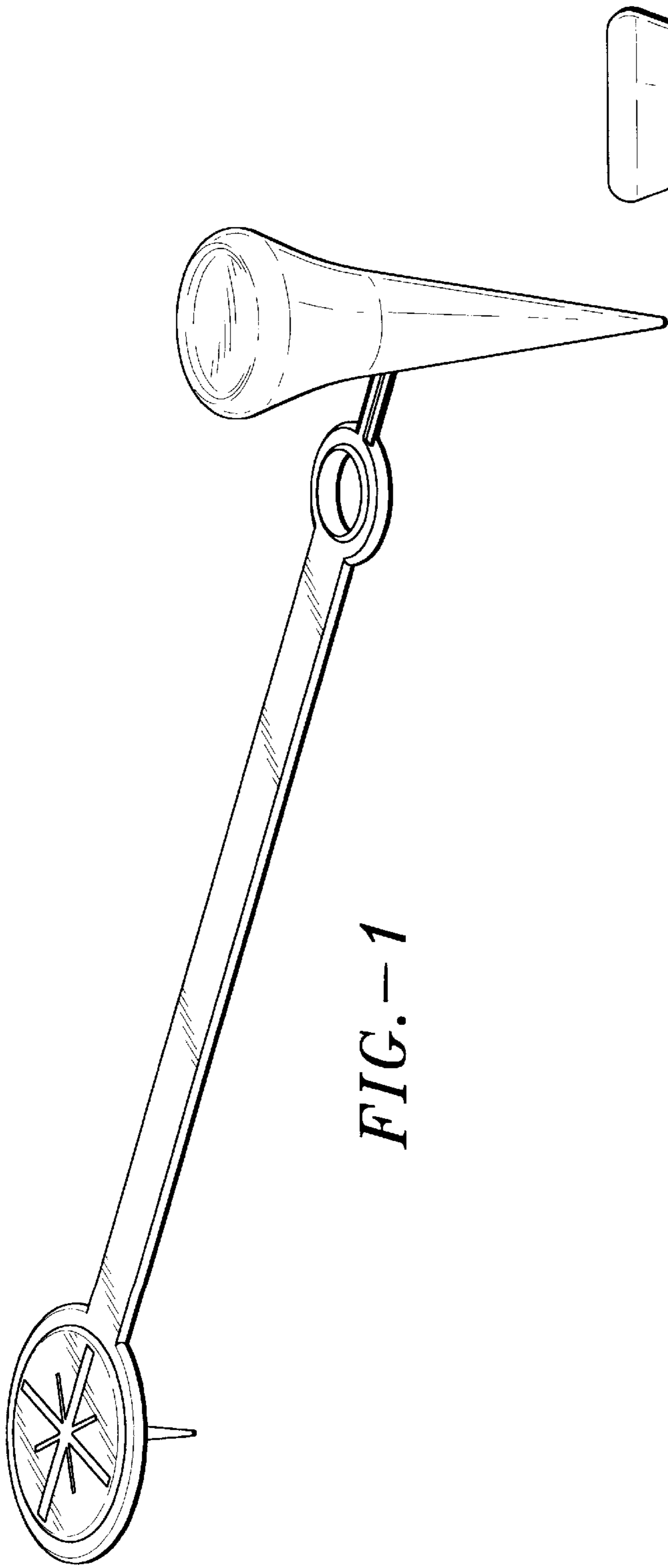


FIG. - 1

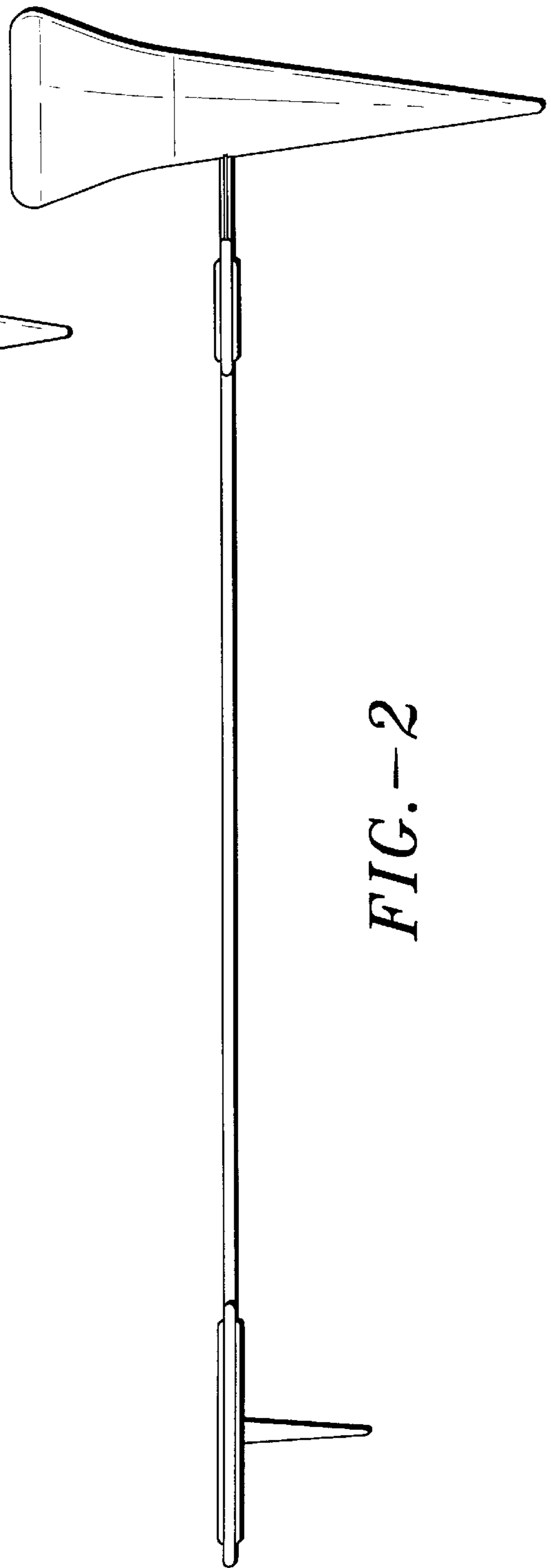


FIG. - 2

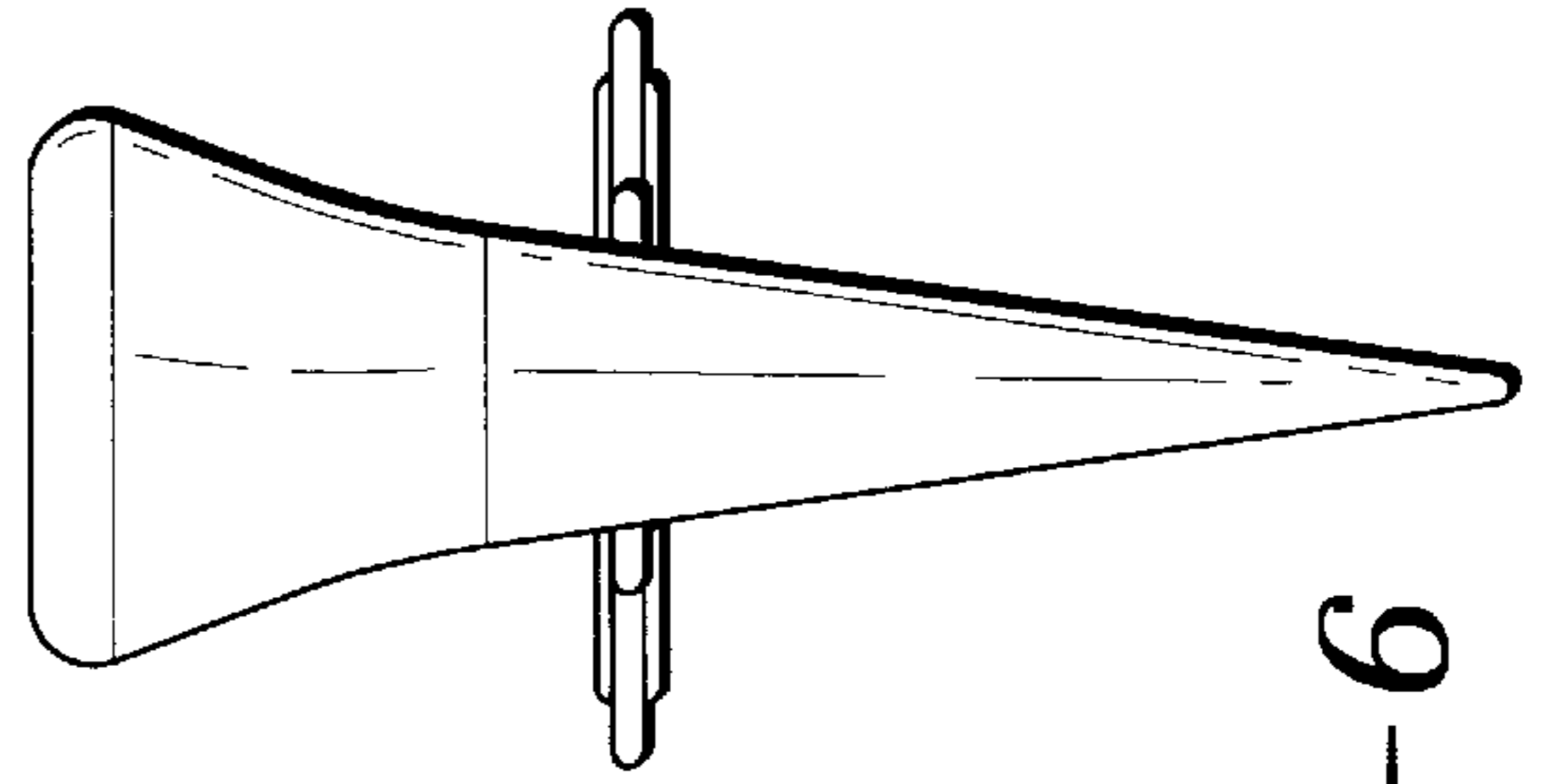
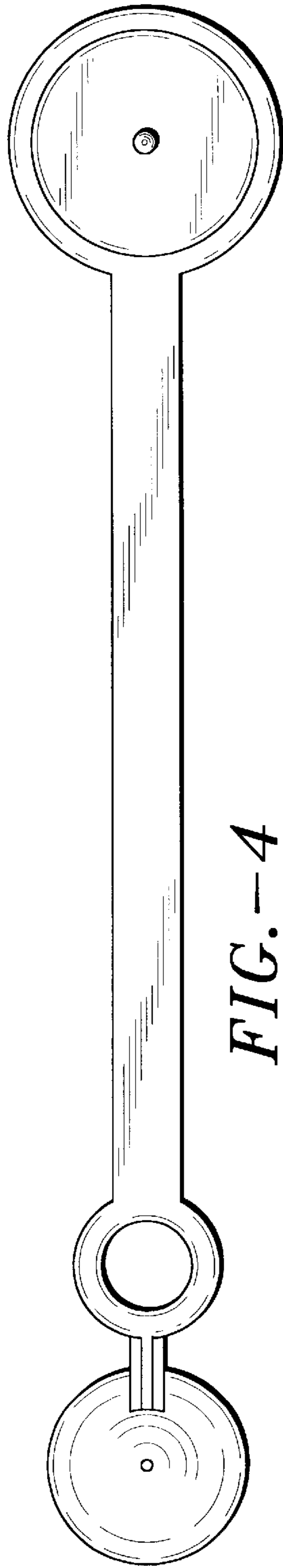
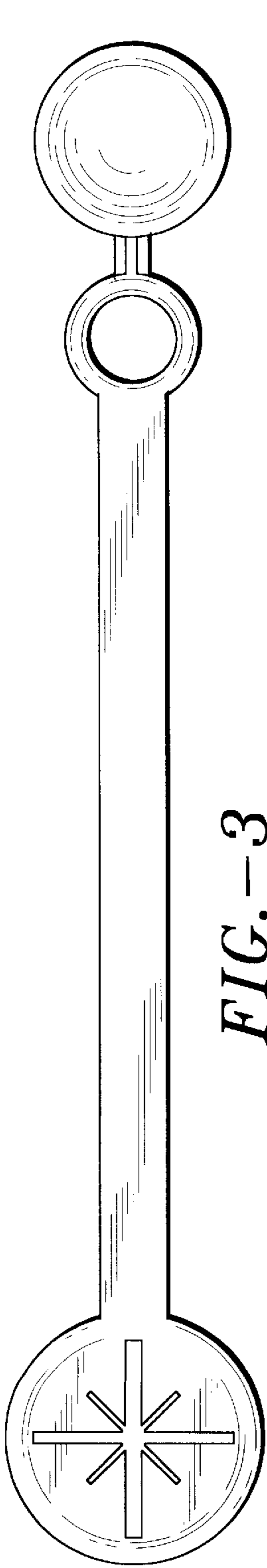


FIG. -6

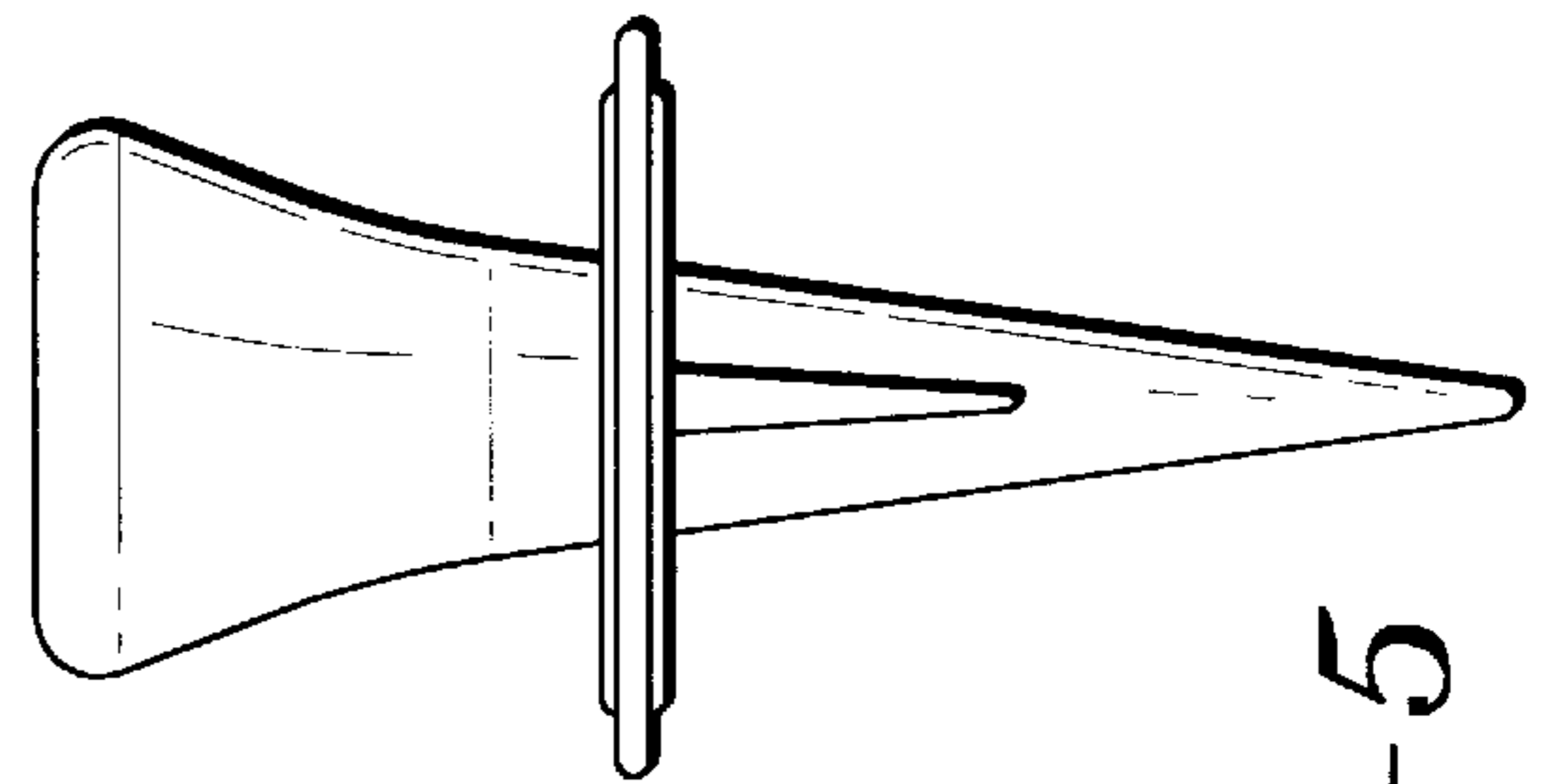


FIG. -5