



US00D399894S

# United States Patent [19] Chiu

[11] Patent Number: **Des. 399,894**

[45] Date of Patent: **\*\*Oct. 20, 1998**

[54] **EXERCISE BICYCLE**

[76] Inventor: **Rody Chiu**, 12th Fl.-5, No. 764, Ta Tun Rd., Nan Tun Dist., Taichung, Taiwan

[\*\*] Term: **14 Years**

[21] Appl. No.: **74,659**

[22] Filed: **Aug. 8, 1997**

[51] LOC (6) Cl. .... **21-02**

[52] U.S. Cl. .... **D21/194**

[58] Field of Search ..... D21/191, 192, D21/193, 194, 195; 482/57, 58, 59, 51, 52, 53

[56] **References Cited**

**U.S. PATENT DOCUMENTS**

D. 299,371	1/1989	Tsuyama	.....	D21/194
D. 307,928	5/1990	Meisner	.....	D21/194
D. 308,235	5/1990	Meisner	.....	D21/194
D. 308,336	6/1990	Yang	.....	D21/194
D. 309,485	7/1990	Bingham et al.	.....	D21/194

D. 343,659	1/1994	Kiiski	.....	D21/194
D. 349,932	8/1994	Ueda et al.	.....	D21/194
D. 360,916	8/1995	Koga	.....	D21/194

*Primary Examiner*—Philip S. Hyder  
*Attorney, Agent, or Firm*—Rosenberg, Klein & Bilker

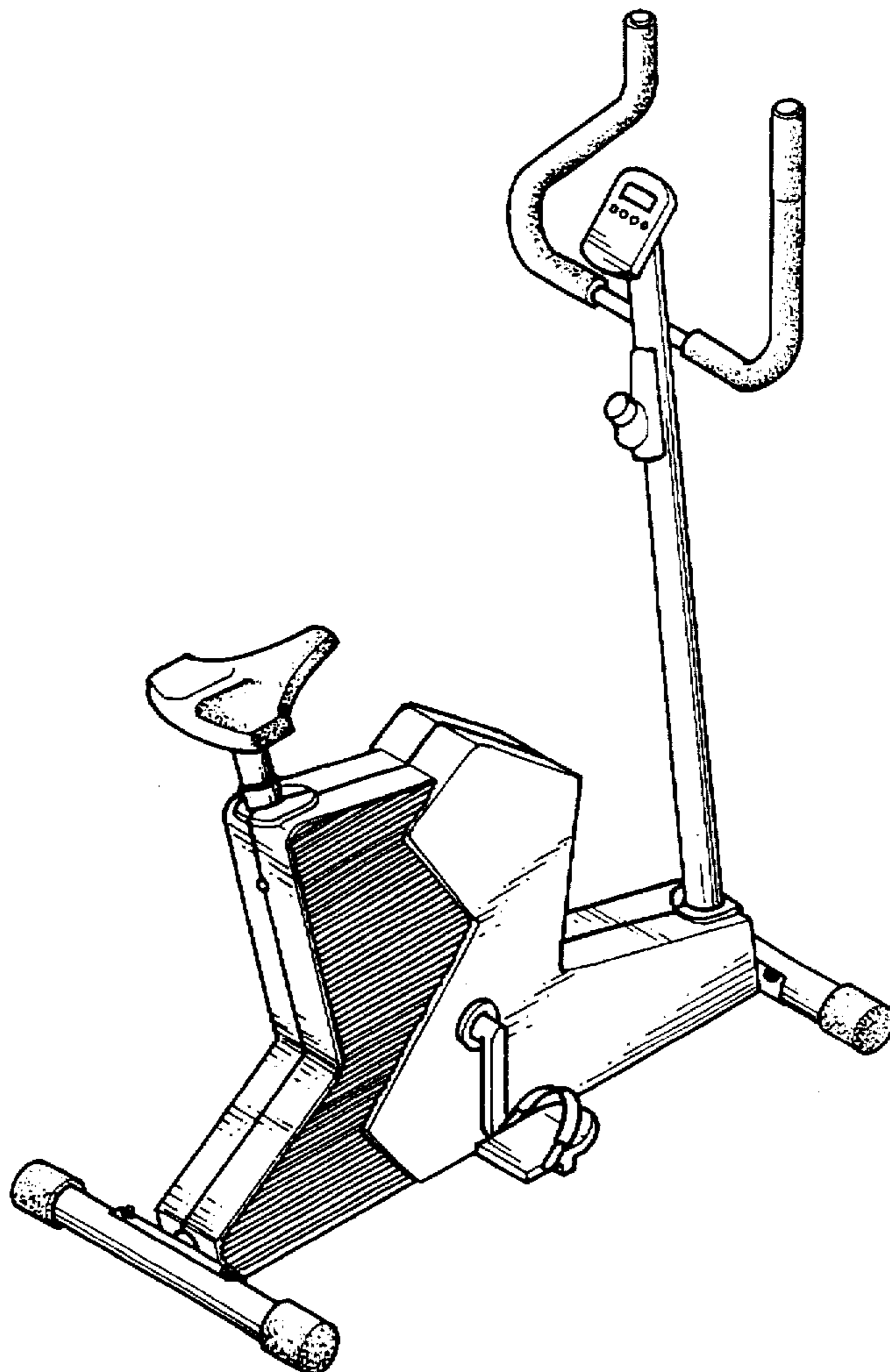
[57] **CLAIM**

The ornamental design for an exercise bicycle, as shown and described.

**DESCRIPTION**

FIG. 1 is a rear-right-top perspective view of an exercise bicycle, showing my new design;  
FIG. 2 is a front elevational view thereof;  
FIG. 3 is a rear elevational view thereof;  
FIG. 4 is a right side elevational view thereof;  
FIG. 5 is a left side elevational view thereof;  
FIG. 6 is a top plan view thereof;  
FIG. 7 is a bottom plan view thereof; and  
FIG. 8 is a partially cut-away enlarged view of FIG. 1.

**1 Claim, 6 Drawing Sheets**



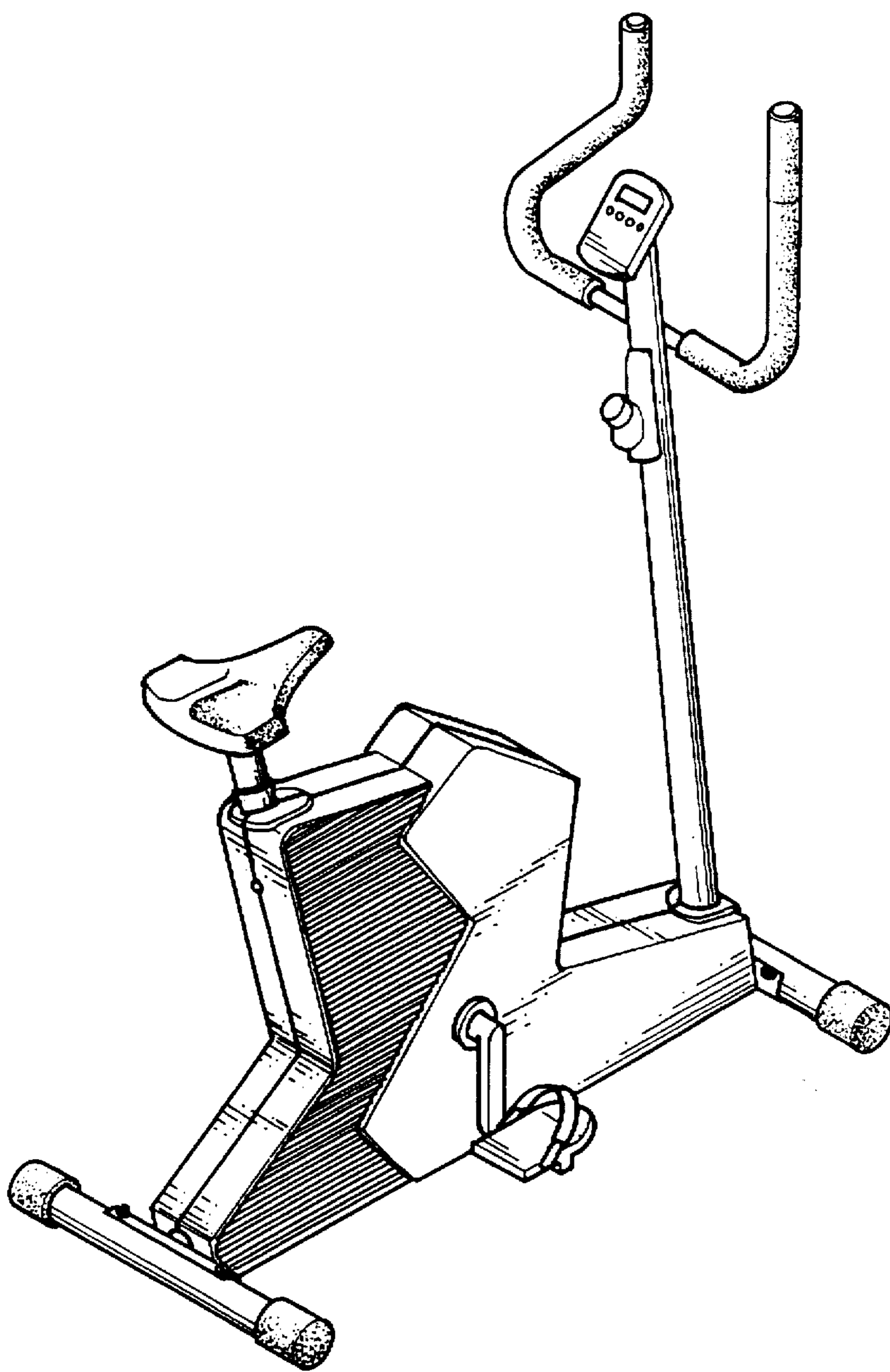


FIG. 1

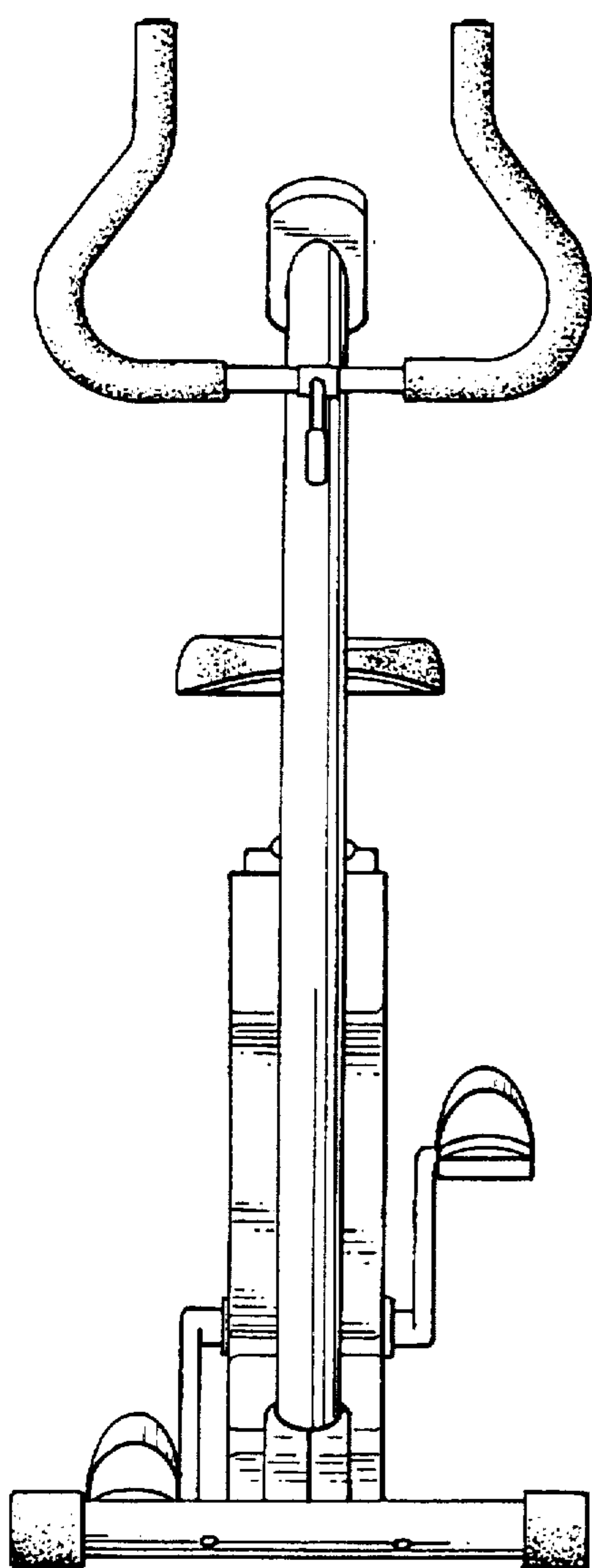


FIG. 2

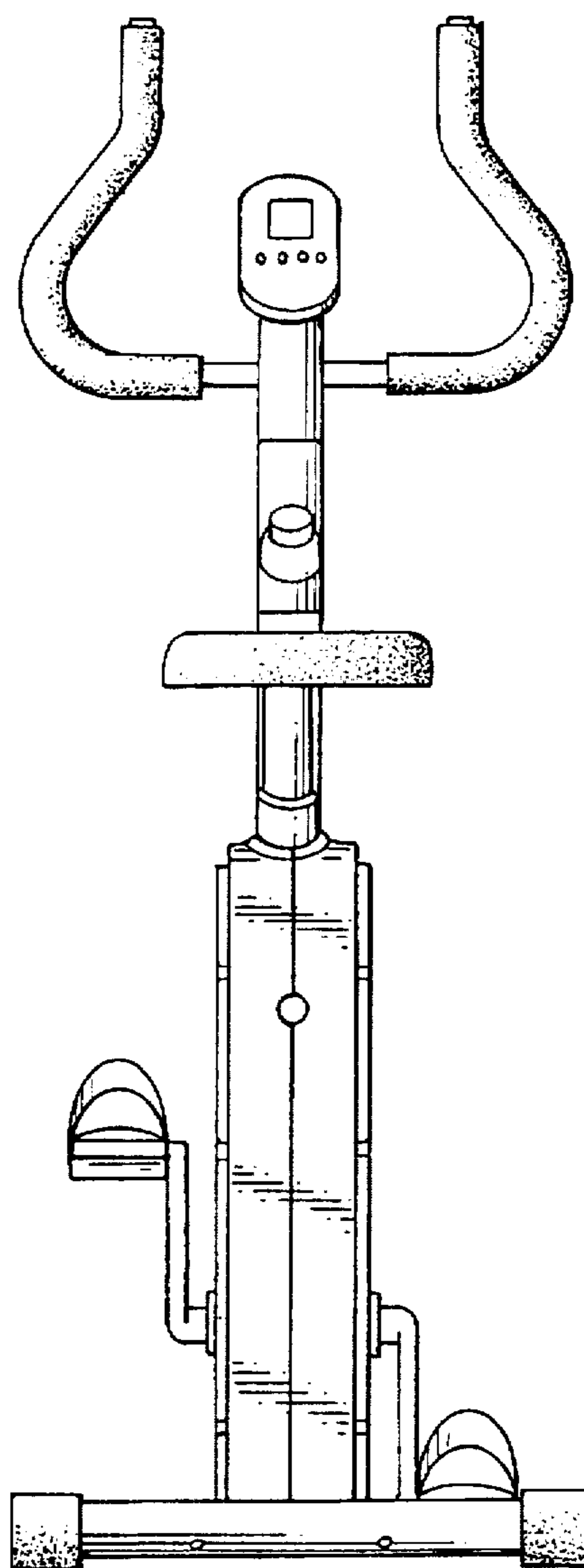


FIG. 3

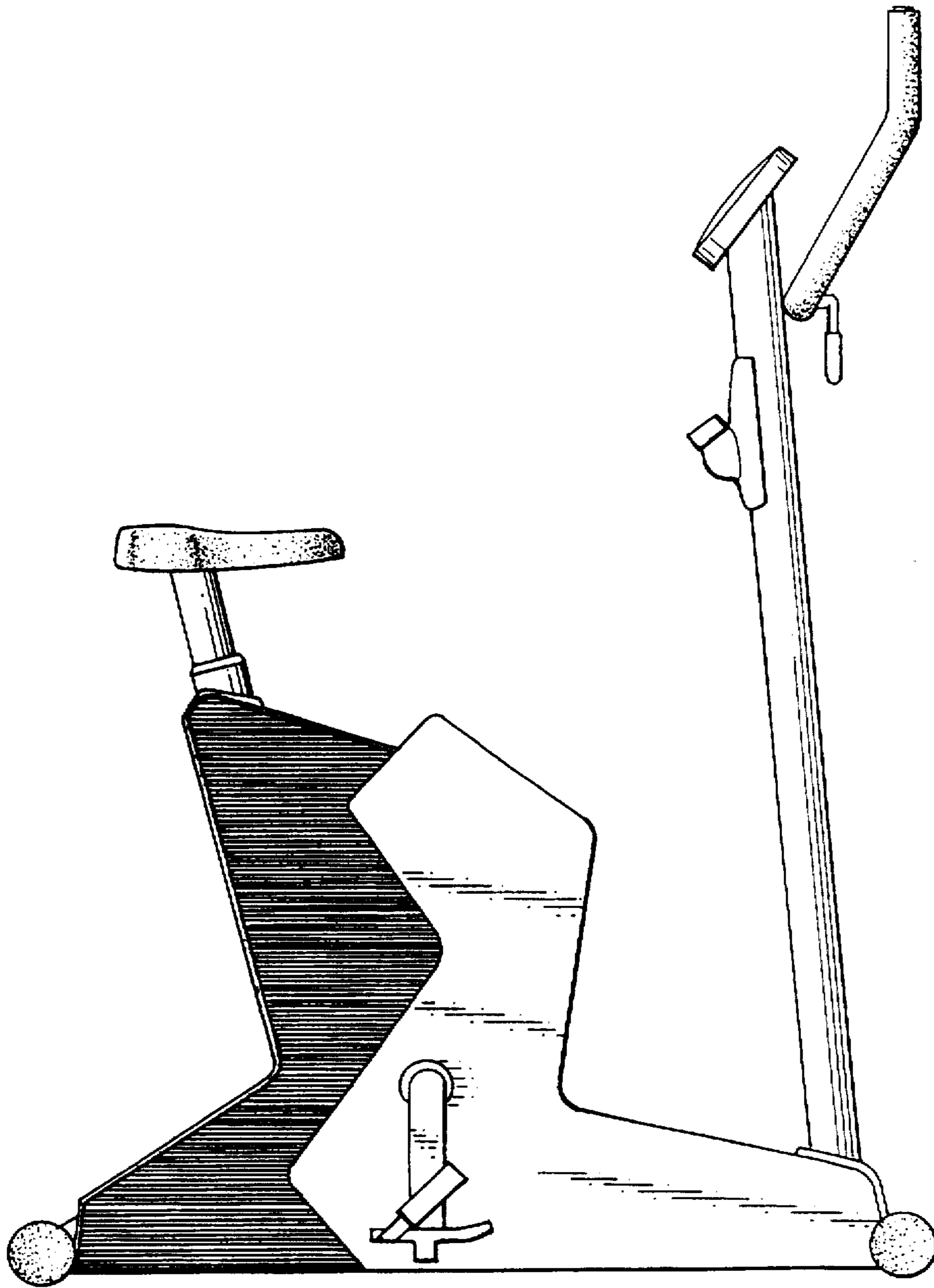


FIG. 4

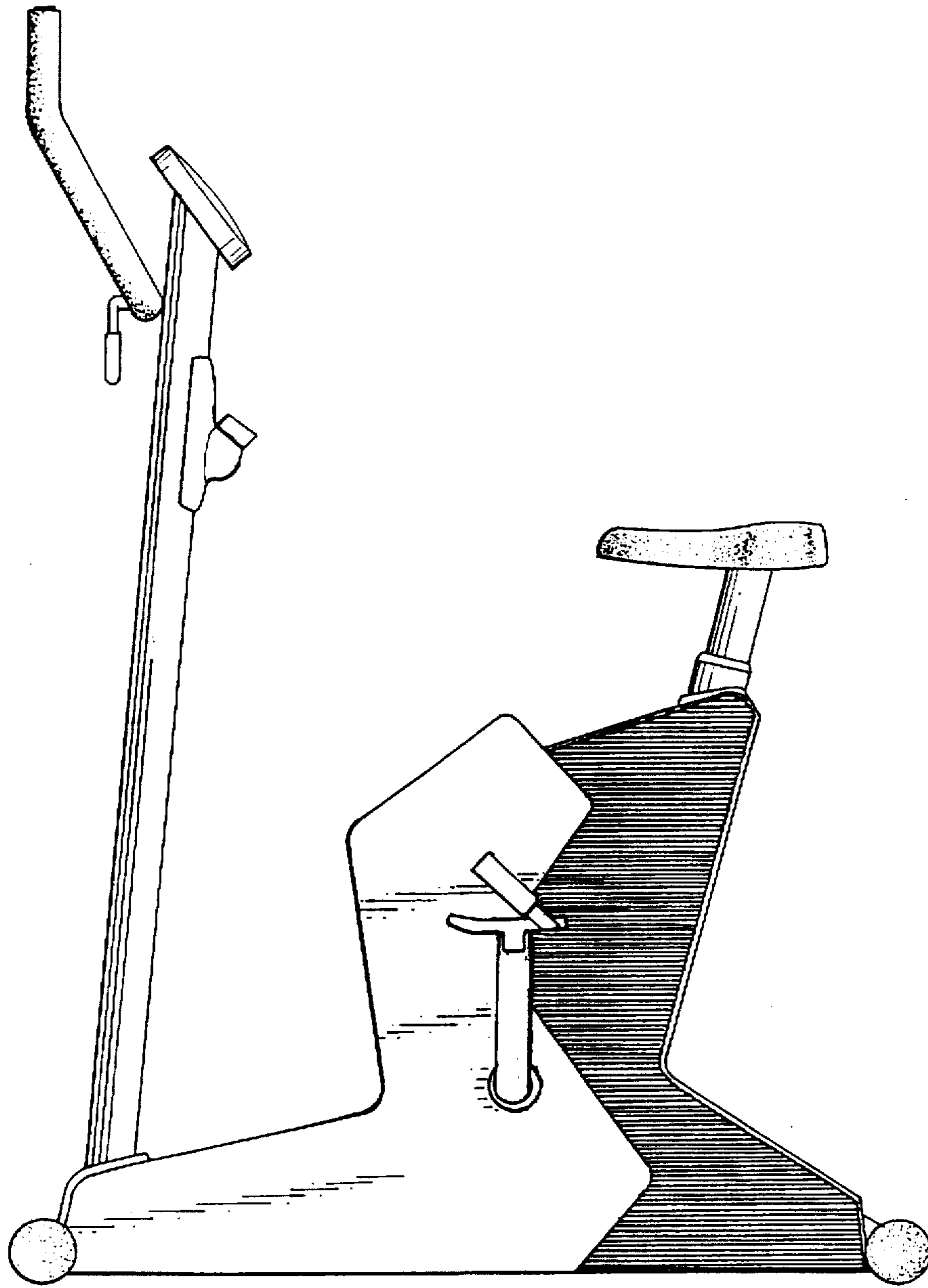


FIG. 5



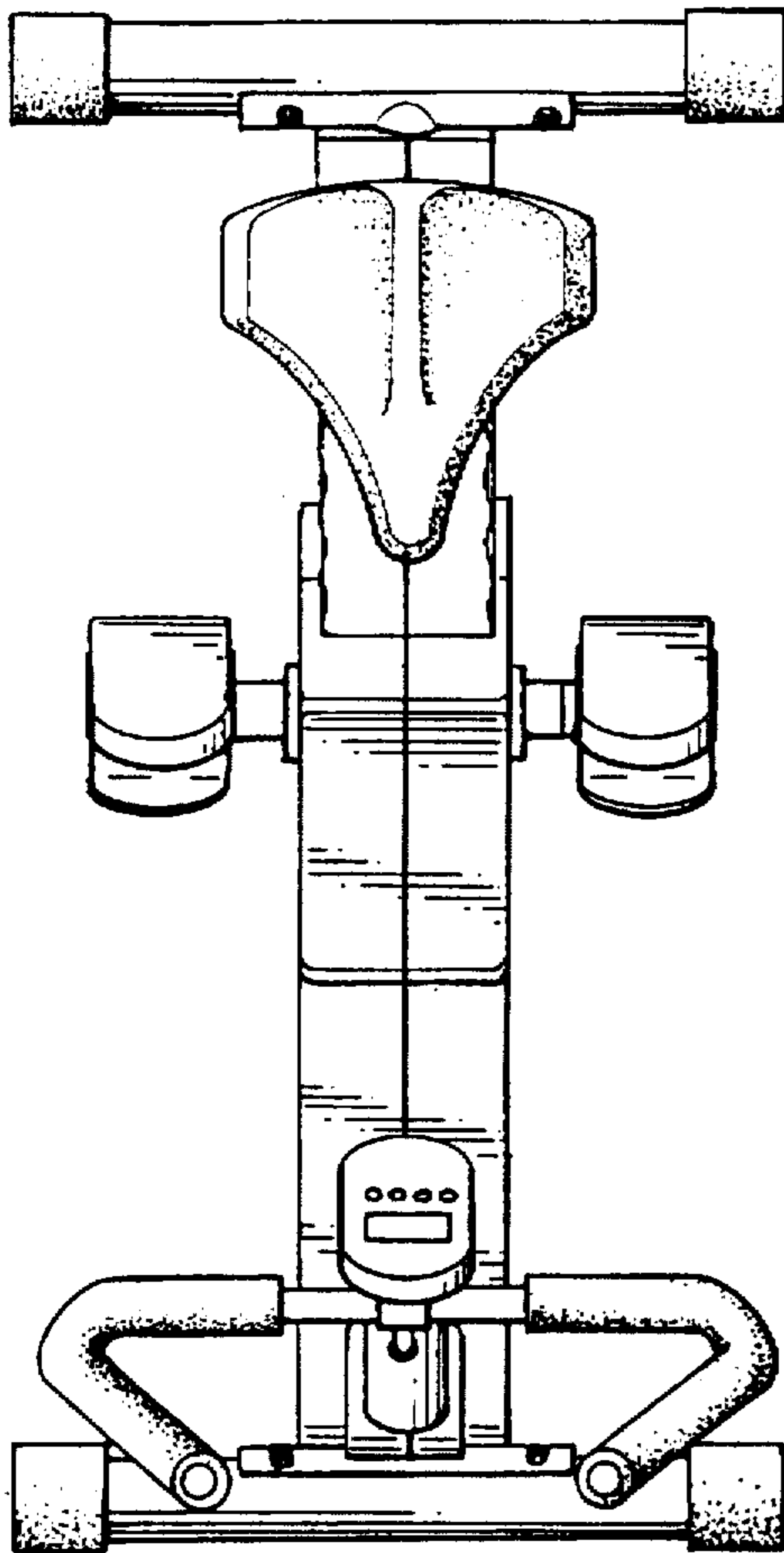


FIG. 6

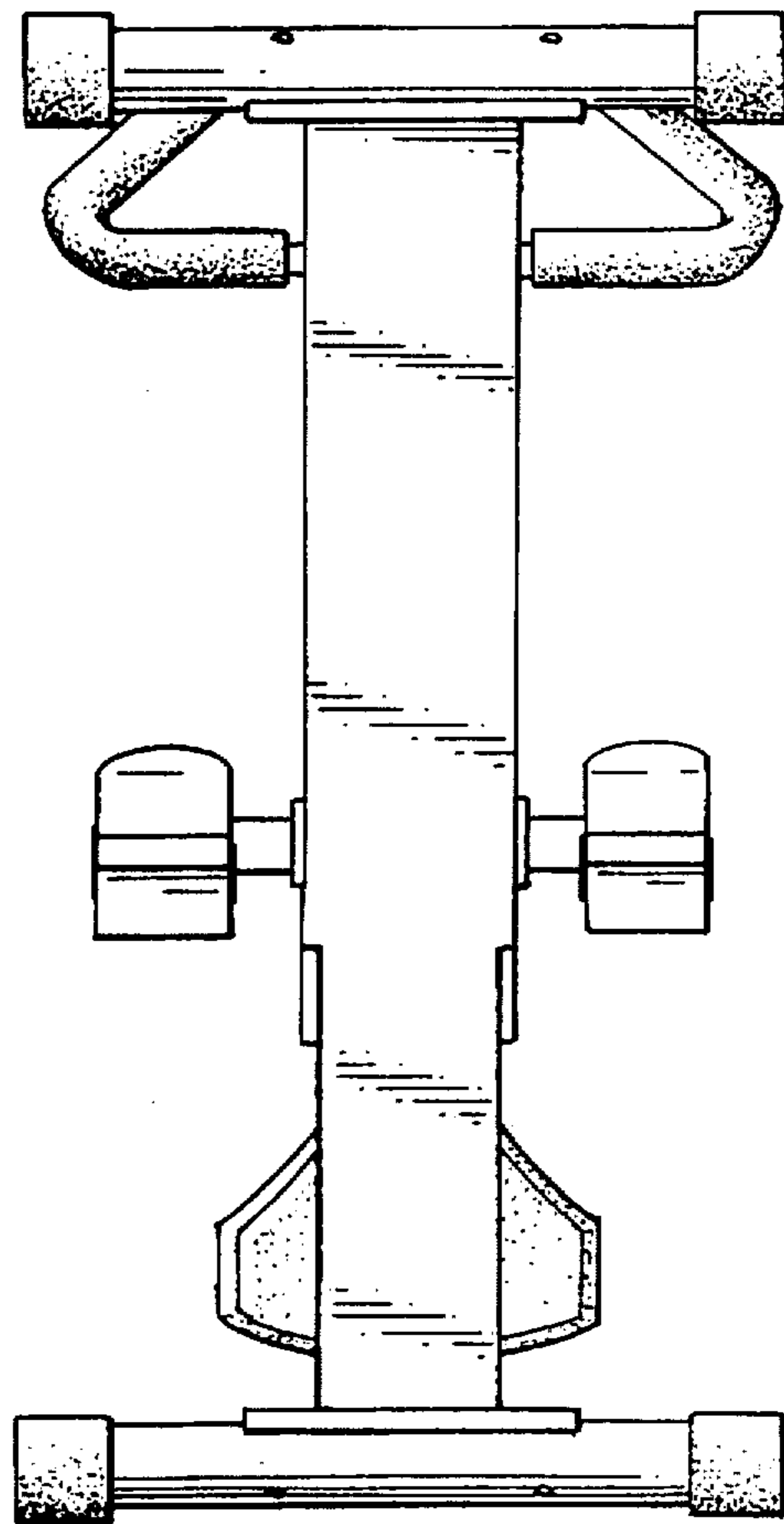


FIG. 7

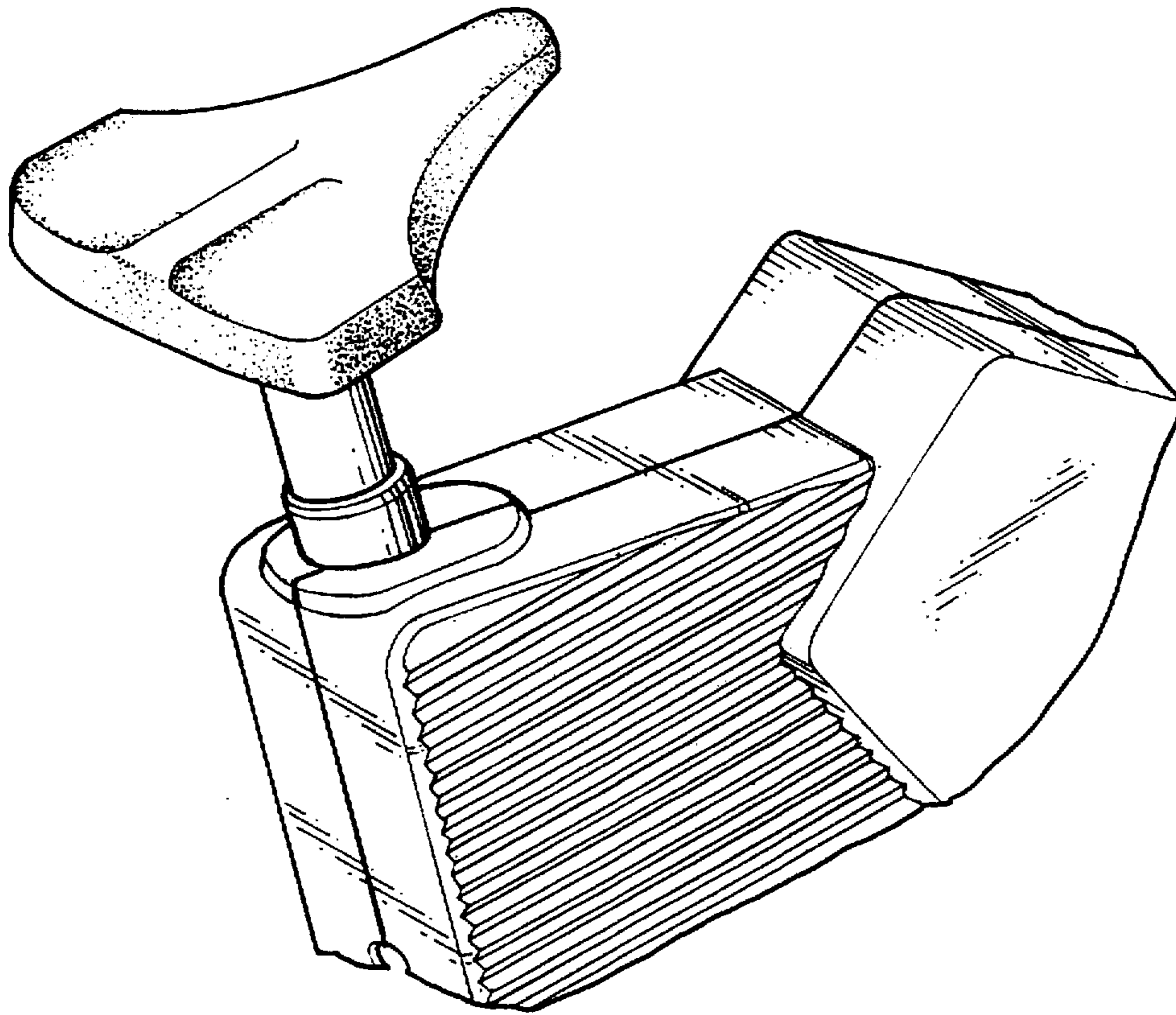


FIG. 8