



US00D399893S

United States Patent [19] Tong

[11] **Patent Number: Des. 399,893**

[45] **Date of Patent: **Oct. 20, 1998**

[54] **POLICEMAN TOY FIGURE**

[75] Inventor: **Lim Tak Tong**, Kowloon, Hong Kong

[73] Assignee: **Sunny Industrial Development Co., Ltd.**, Kowloon, Hong Kong

[**] Term: **14 Years**

[21] Appl. No.: **76,283**

[22] Filed: **Sep. 2, 1997**

[51] **LOC (6) Cl.** **21-01**

[52] **U.S. Cl.** **D21/178; D21/166**

[58] **Field of Search** **D21/166, 177, D21/178, 171; 446/268, 376-384; D11/160**

[56] **References Cited**

U.S. PATENT DOCUMENTS

D. 246,195	10/1977	Goldfarb et al.	D21/171
D. 276,537	11/1984	Tabachnik	D21/178 X
D. 278,735	5/1985	Nielsen	D21/166
D. 352,078	11/1994	Bertrand	D21/166 X
D. 353,418	12/1994	Ryaa et al.	D21/166 X
3,874,113	4/1975	Beck	446/378
3,946,517	3/1976	Goldfarb et al.	446/383
5,628,669	5/1997	Hesse	446/382

Primary Examiner—Lucy Lieberman
Attorney, Agent, or Firm—Alix, Yale & Ristas, LLP

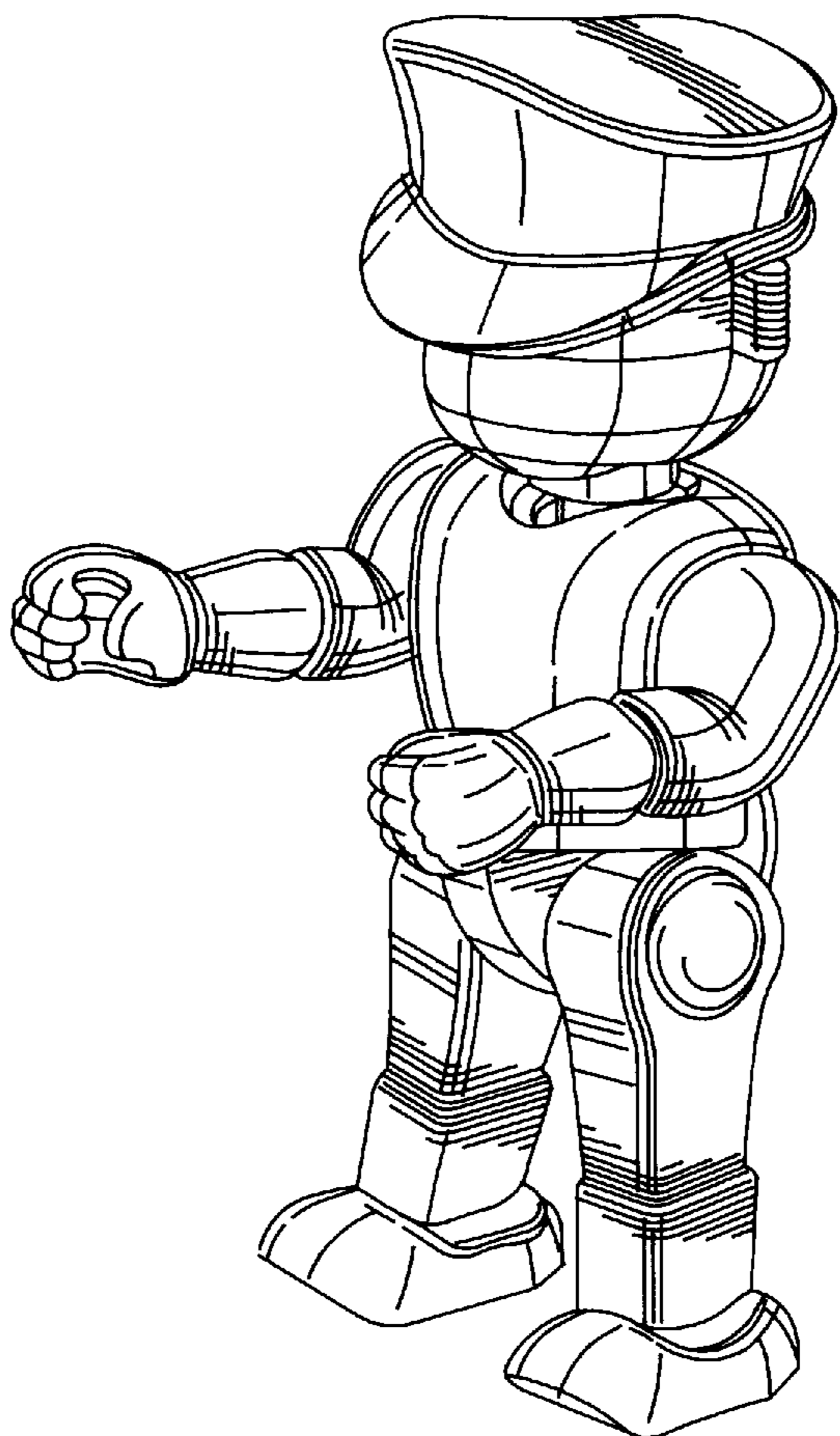
[57] **CLAIM**

The ornamental design for a policeman toy figure, as shown and described.

DESCRIPTION

FIG. 1 is a perspective view of the policeman toy figure of the invention;
 FIG. 2 is a perspective view of the policeman toy figure of FIG. 1 with legs in an alternative position;
 FIG. 3 is a front elevation of the policeman toy figure of FIG. 1;
 FIG. 4 is a rear elevation of the policeman toy figure of FIG. 1;
 FIG. 5 is a side elevation as seen from the left side of FIG. 3;
 FIG. 6 is a side elevation as seen from the right side of FIG. 3;
 FIG. 7 is a top view of the policeman toy figure of FIG. 1; and,
 FIG. 8 is a bottom view of the policeman toy figure of FIG. 1.

1 Claim, 4 Drawing Sheets



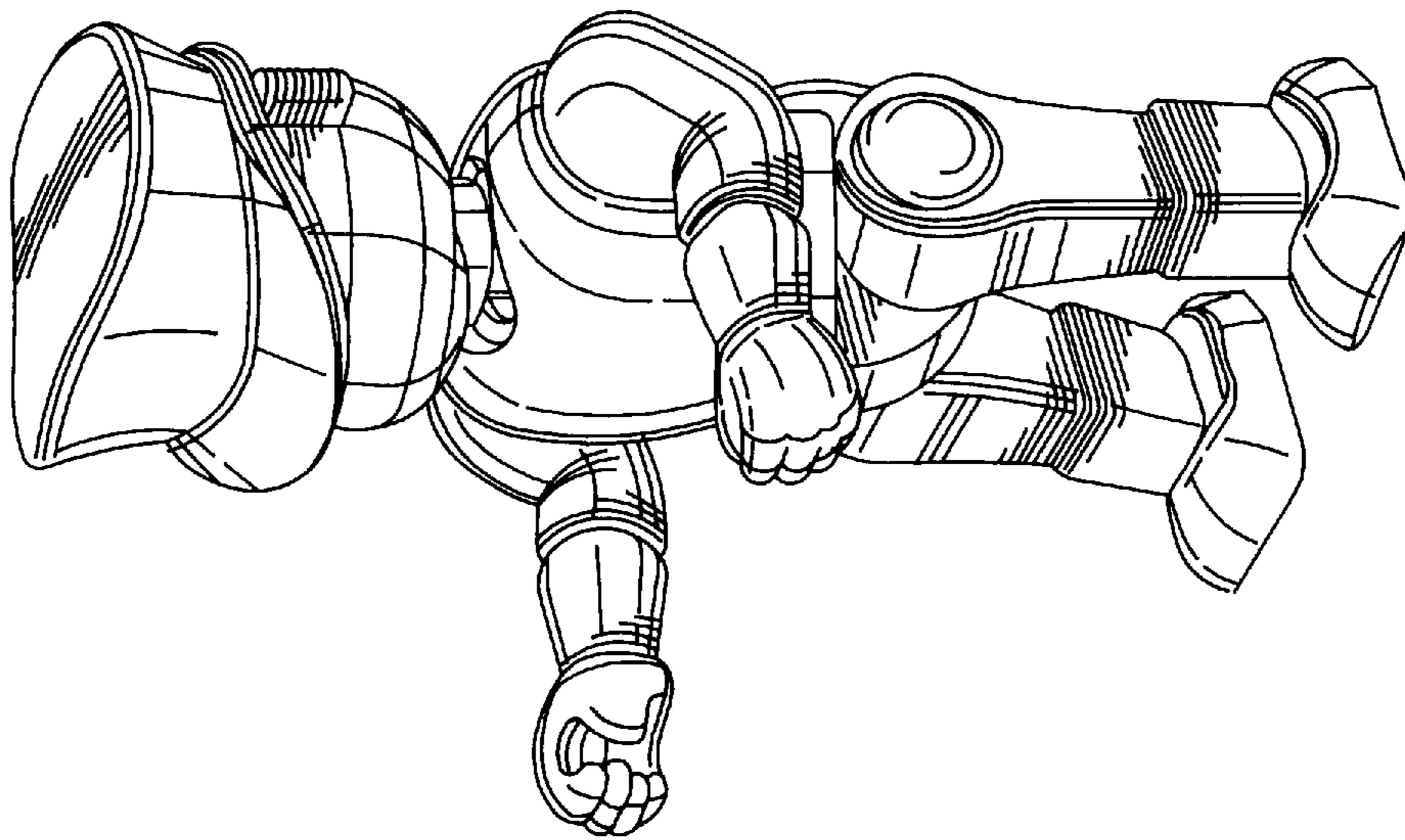


FIG. 1

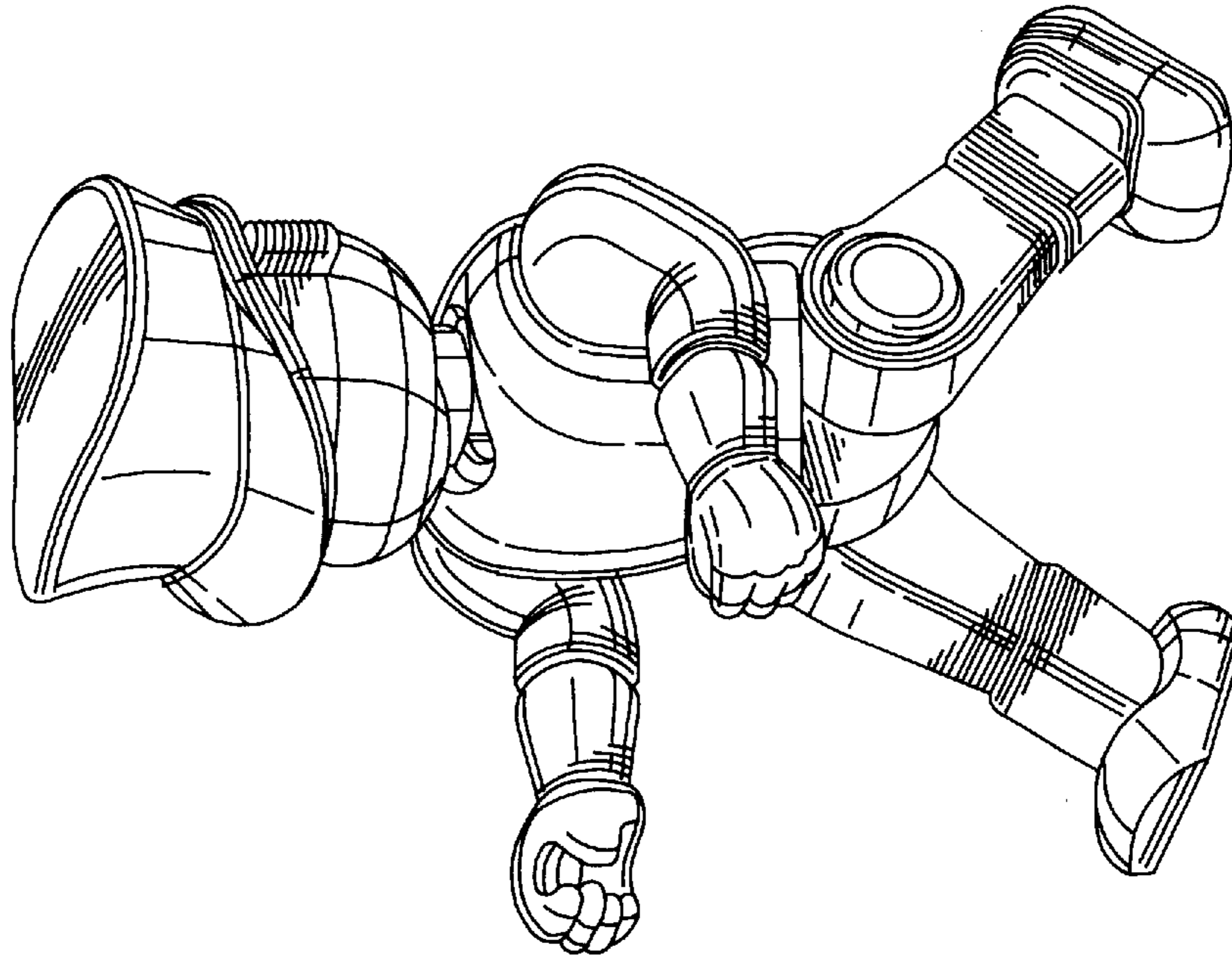


FIG. 2

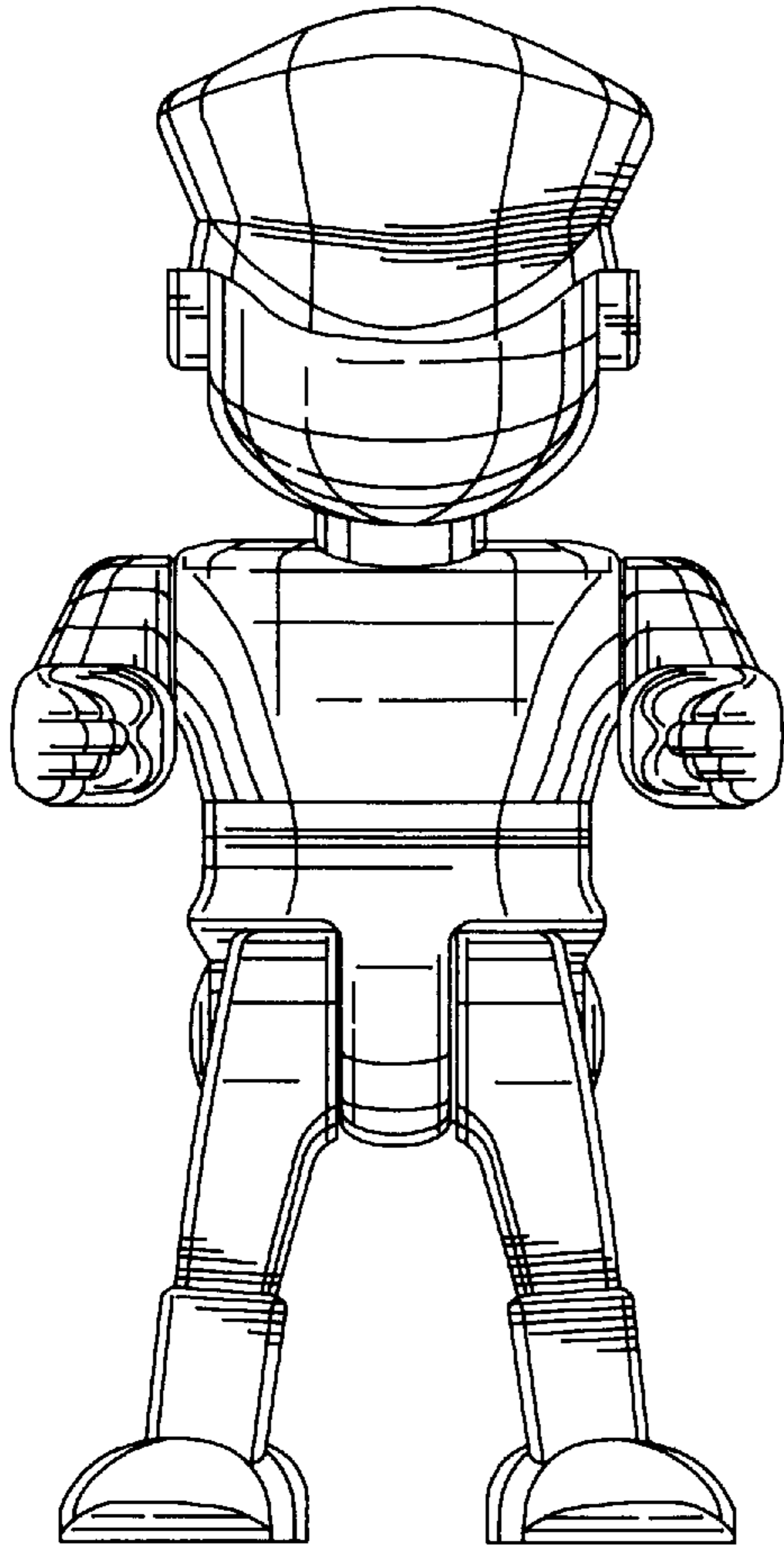


FIG. 3

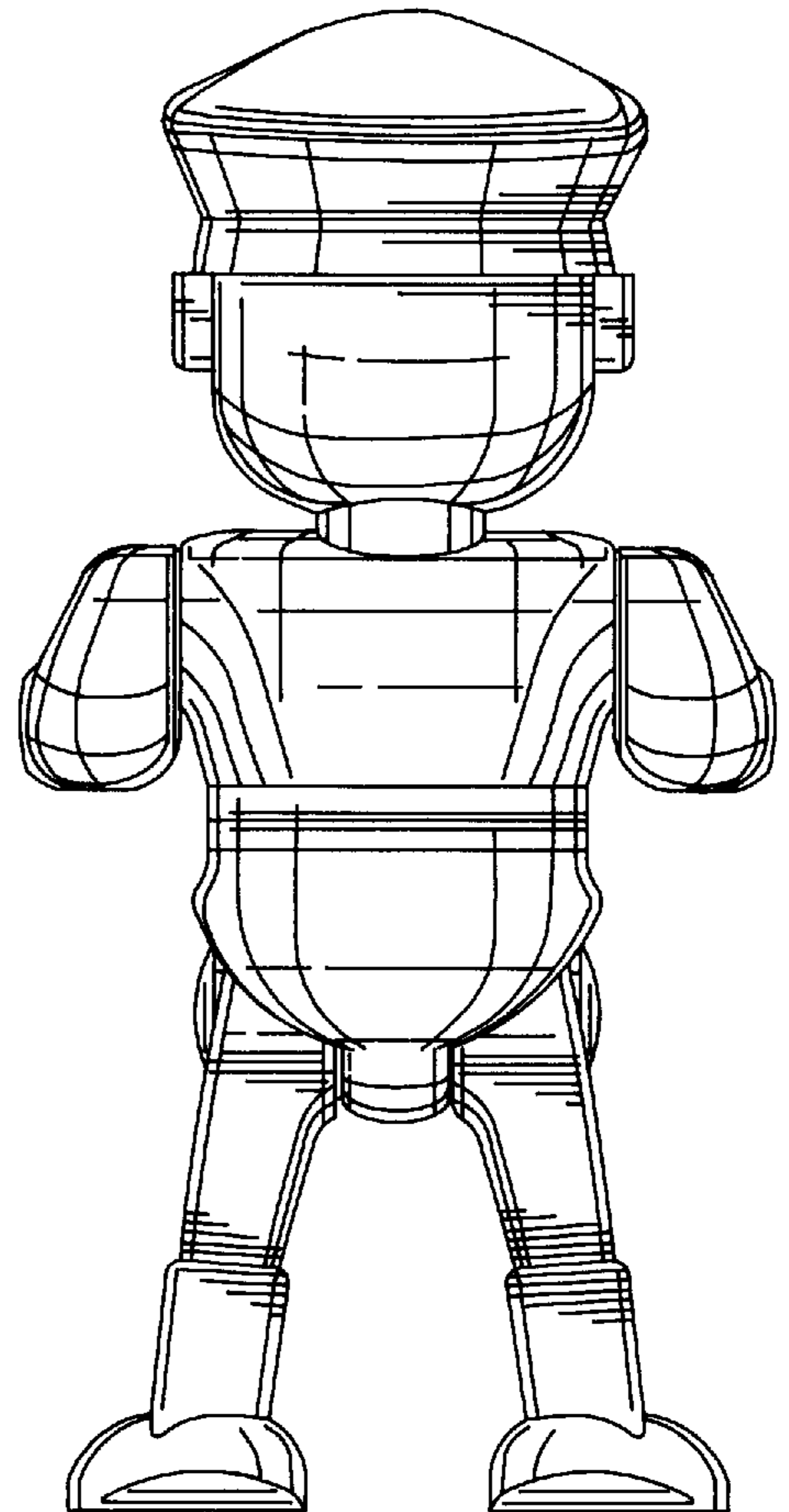


FIG. 4

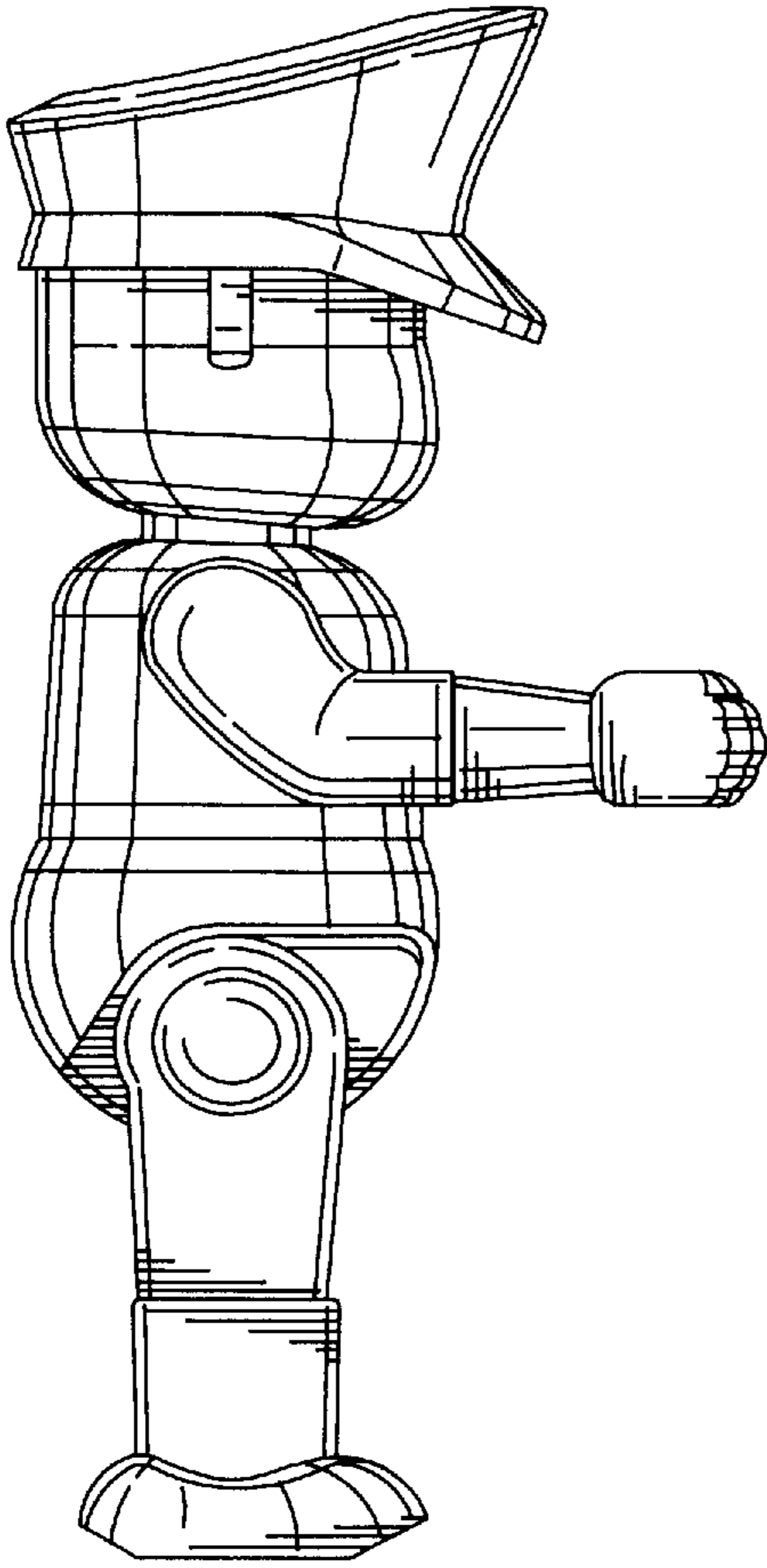


FIG. 5

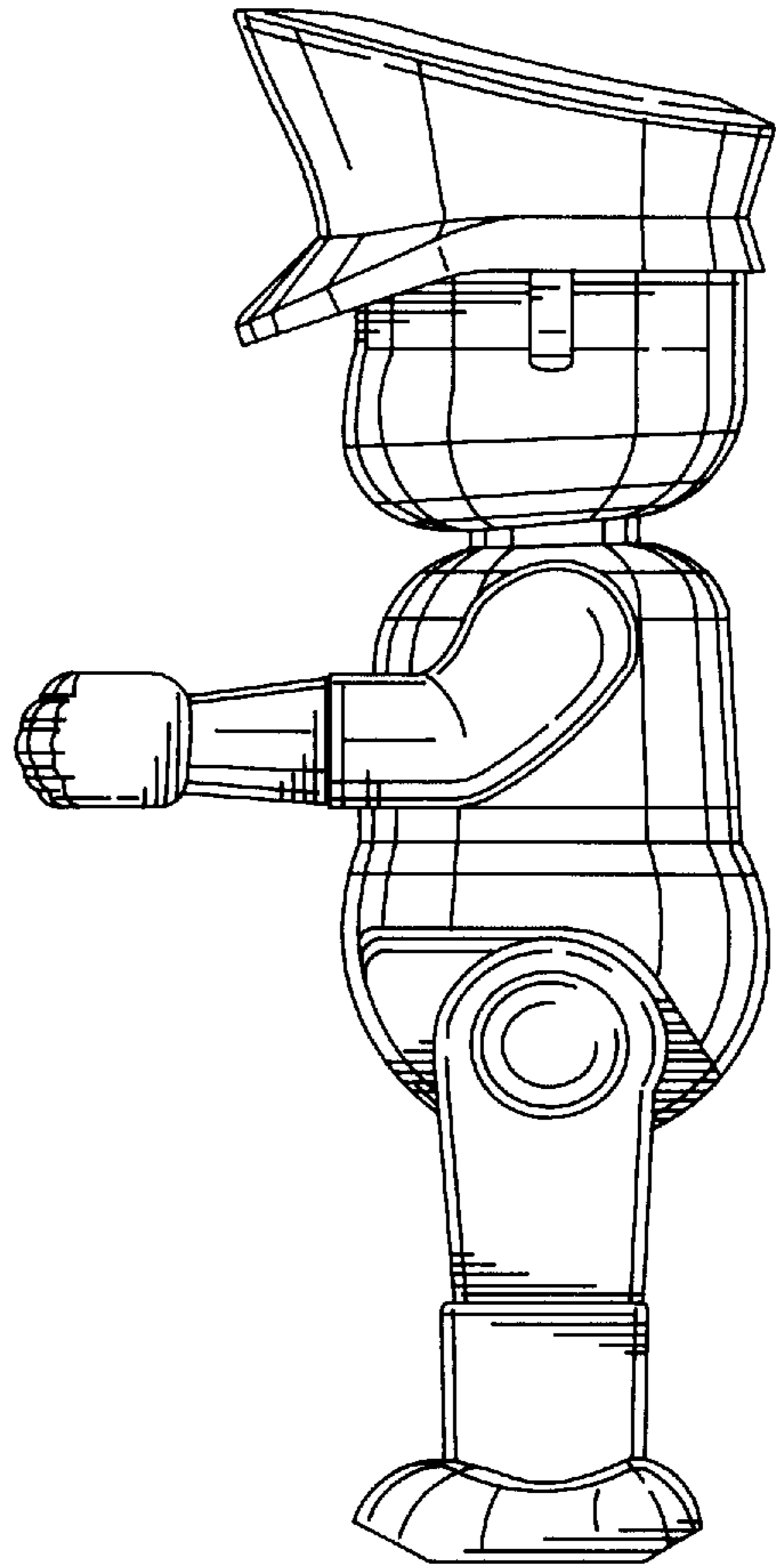


FIG. 6

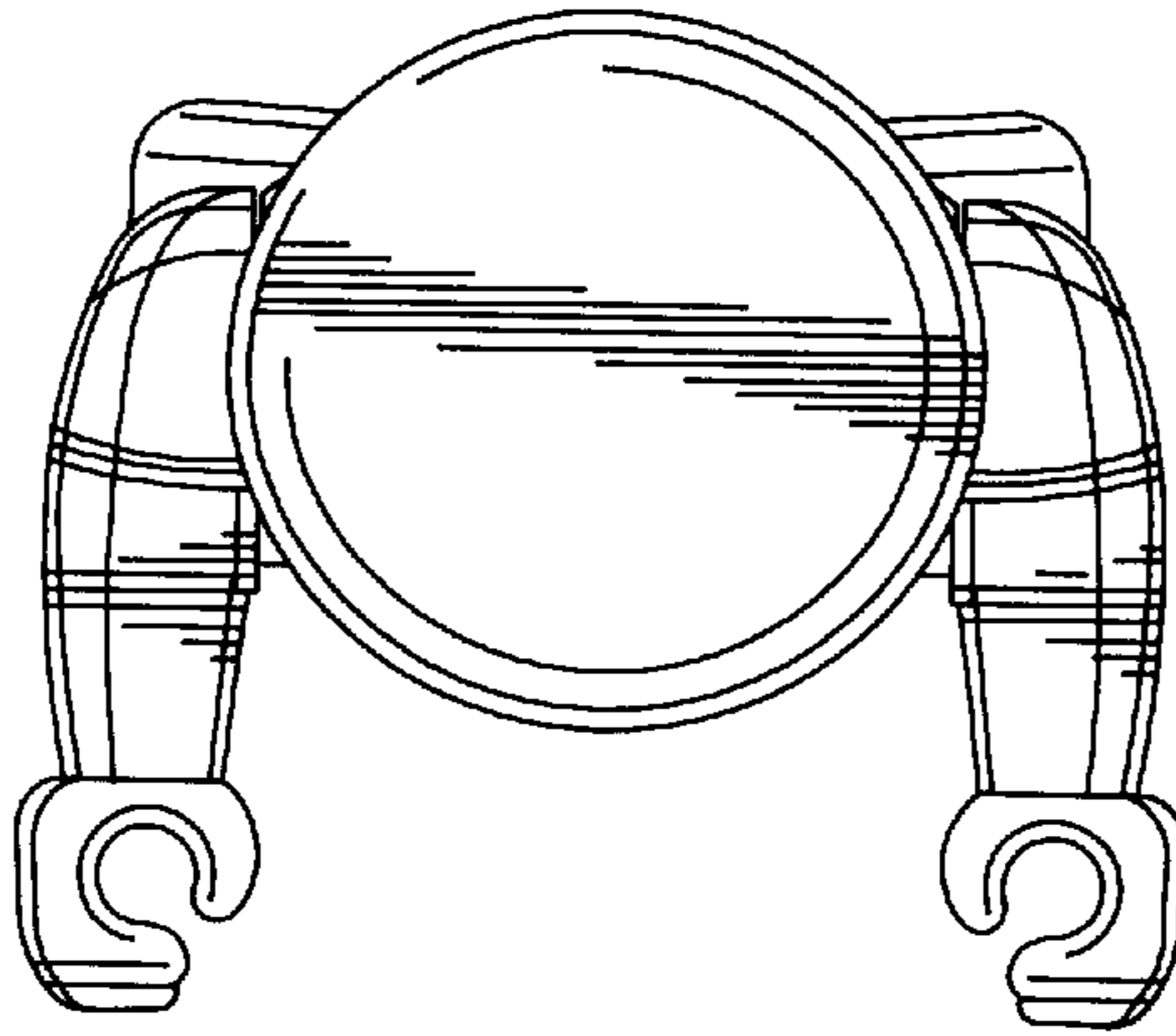


FIG. 7

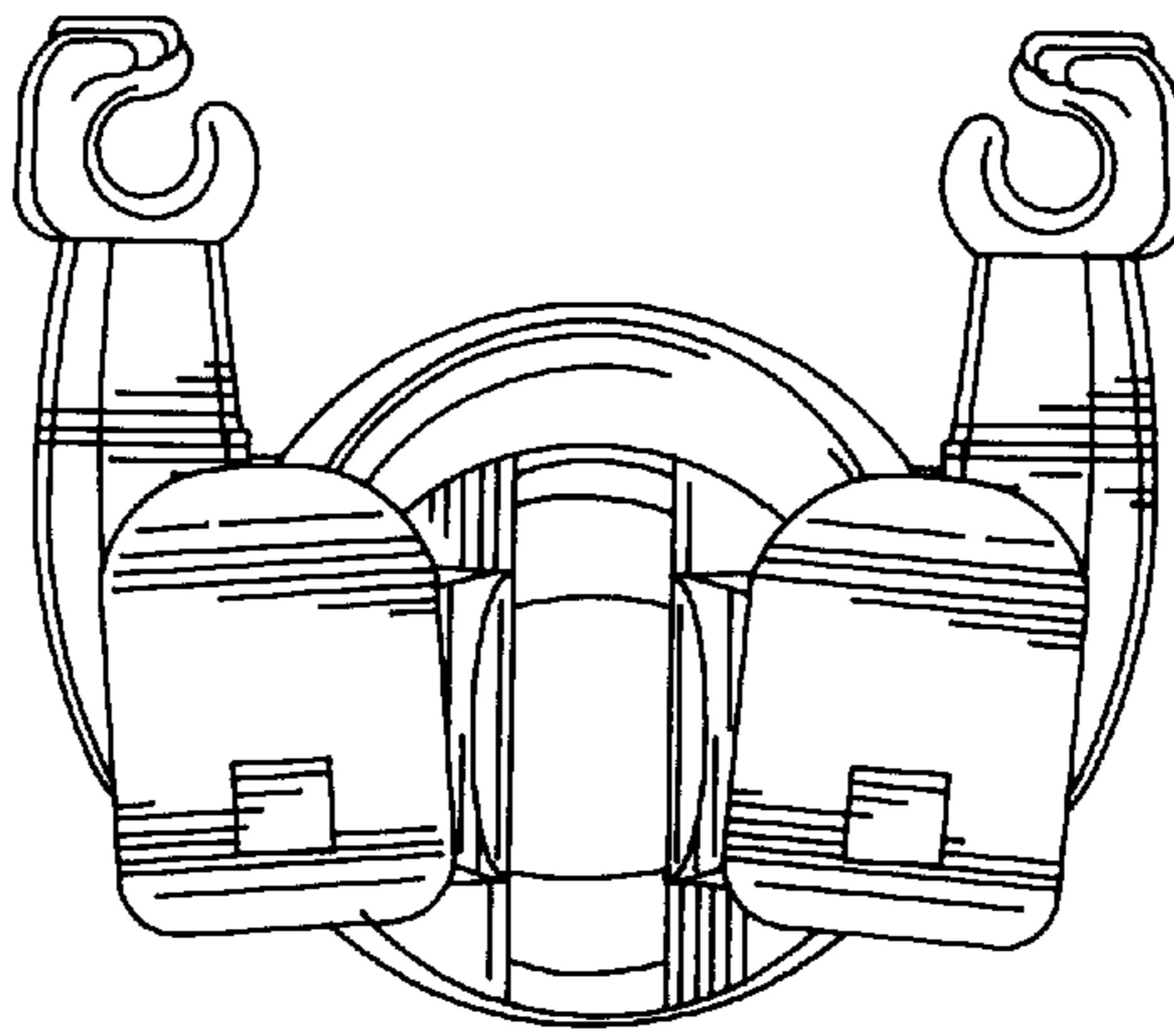


FIG. 8