



US00D399892S

United States Patent [19] Choi

[11] **Patent Number: Des. 399,892**

[45] **Date of Patent: **Oct. 20, 1998**

[54] **TOY SWORD**

D. 364,659 11/1995 Choi D21/145

[75] Inventor: **Chung-Hing Choi**, Kowloon, Hong Kong

OTHER PUBLICATIONS

The Sportsman's Guide, p. 59, Jan. 4, 1995.

[73] Assignee: **Hing Fat Toys Manufacturer Limited**, Hong Kong

Primary Examiner—Raphael Barkai
Attorney, Agent, or Firm—Samuels, Gauthier, Stevens & Reppert

[**] Term: **14 Years**

[57] CLAIM

[21] Appl. No.: **81,445**

The ornamental design for a "toy sword," as show and described.

[22] Filed: **Jan. 2, 1998**

DESCRIPTION

[51] **LOC (6) Cl.** **21-01**

[52] **U.S. Cl.** **D21/145**

[58] **Field of Search** D21/59, 109, 145;
D22/104, 118; D3/12; 446/192, 405, 406,
473; 482/12, 83; 30/295, 340, 346

FIG. 1 is the front perspective view showing my new design;
FIG. 2 is the front view thereof;
FIG. 3 is the rear view thereof;
FIG. 4 is the left-hand view thereof;
FIG. 5 is the right-hand view thereof;
FIG. 6 is the top view thereof; and,
FIG. 7 is the bottom view thereof.

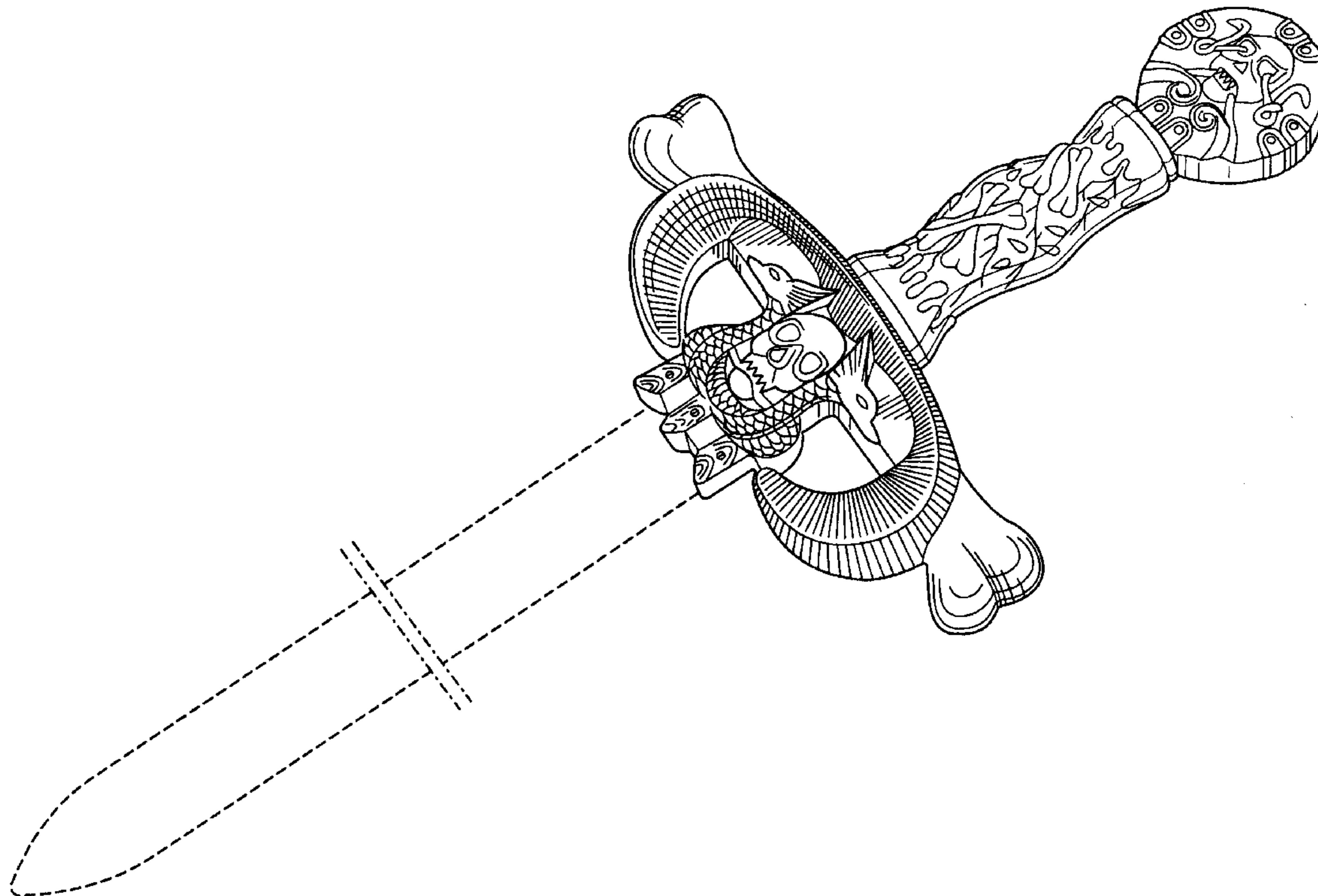
The broken lines shown in FIGS. 1-5 is for illustrative purposes only and forms no part of the claimed design.

[56] References Cited

U.S. PATENT DOCUMENTS

D. 6,338 1/1873 Price D22/118
D. 330,064 10/1992 Medina D22/118
D. 361,104 8/1995 Choi D21/145

1 Claim, 4 Drawing Sheets



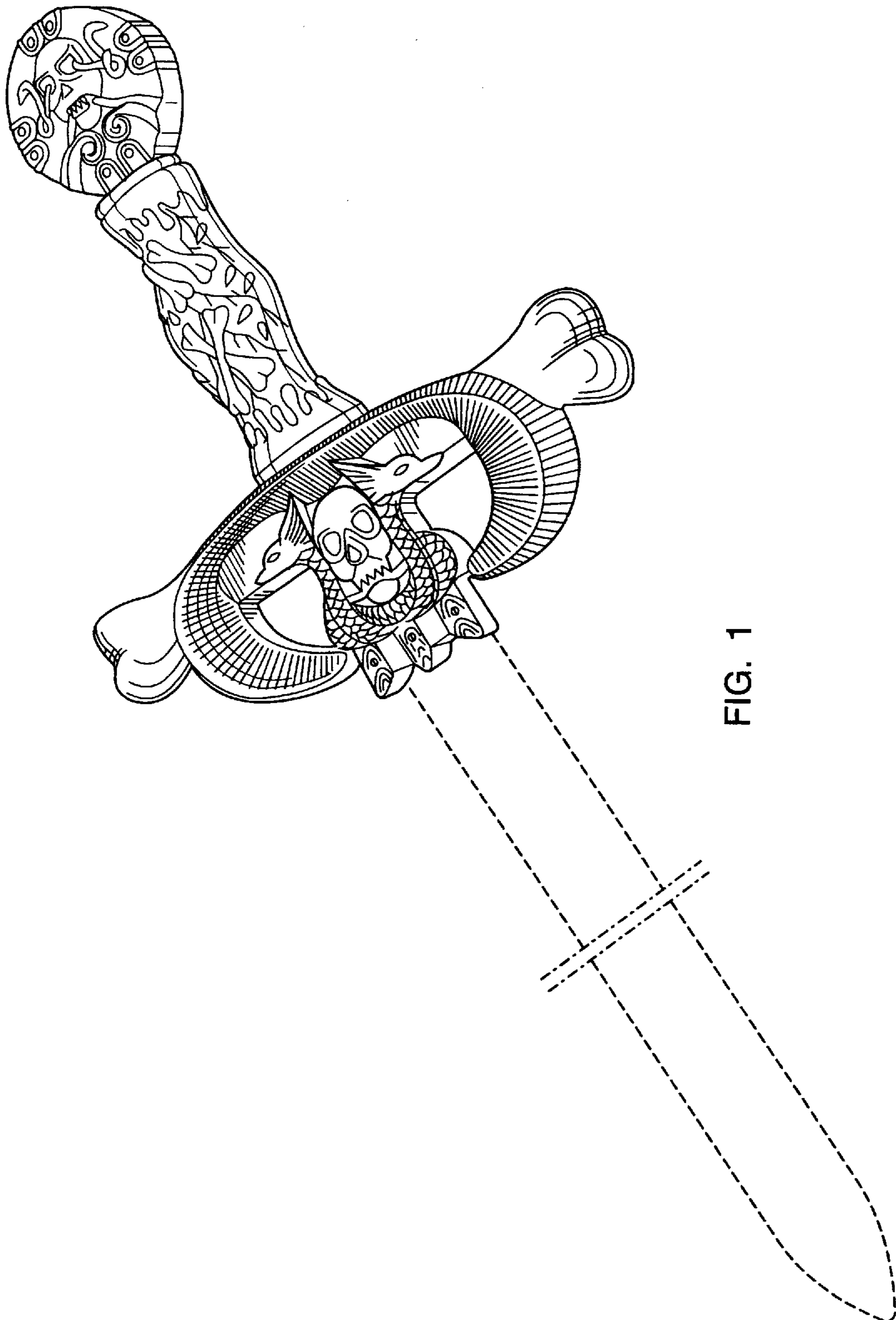


FIG. 1

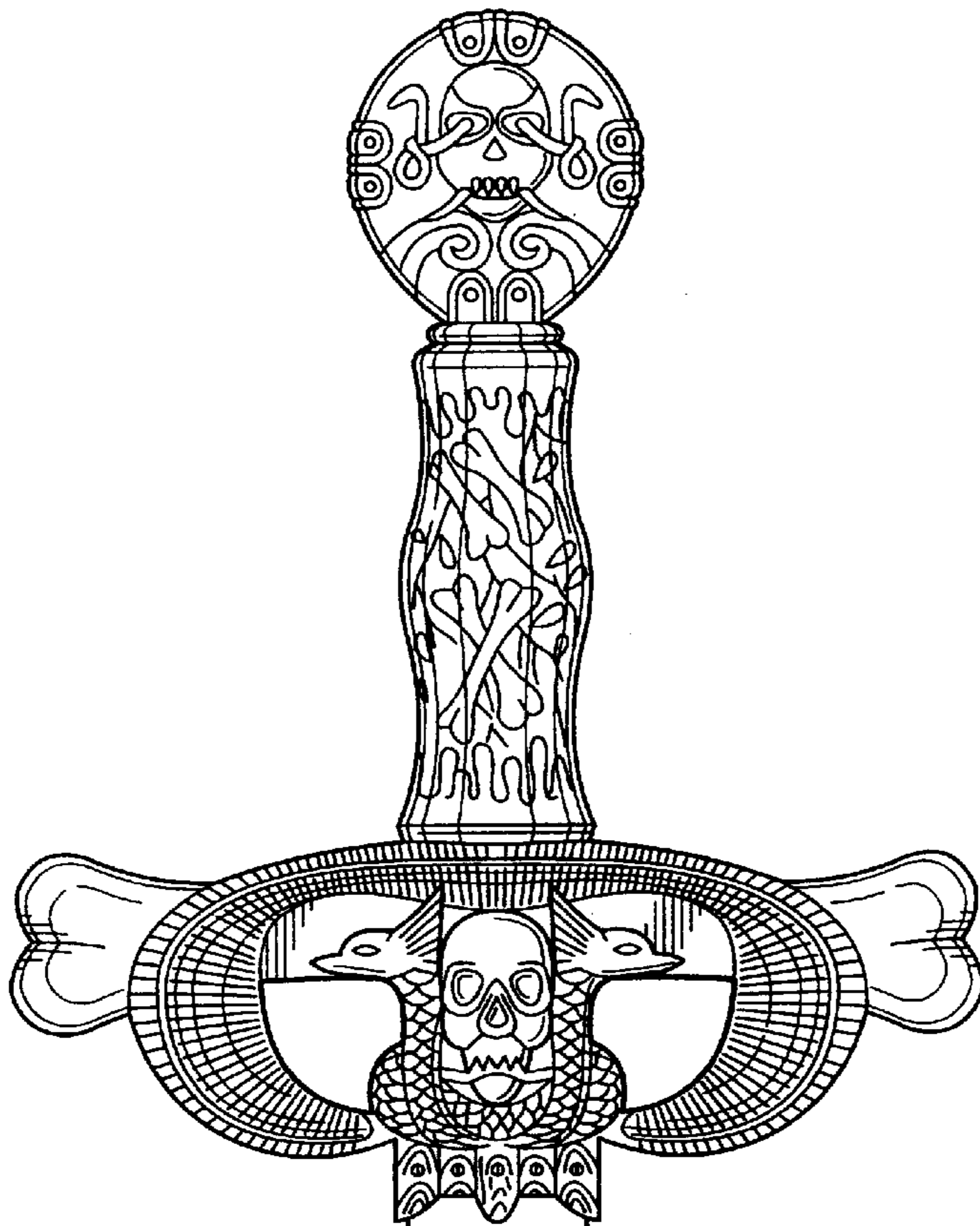


FIG. 2

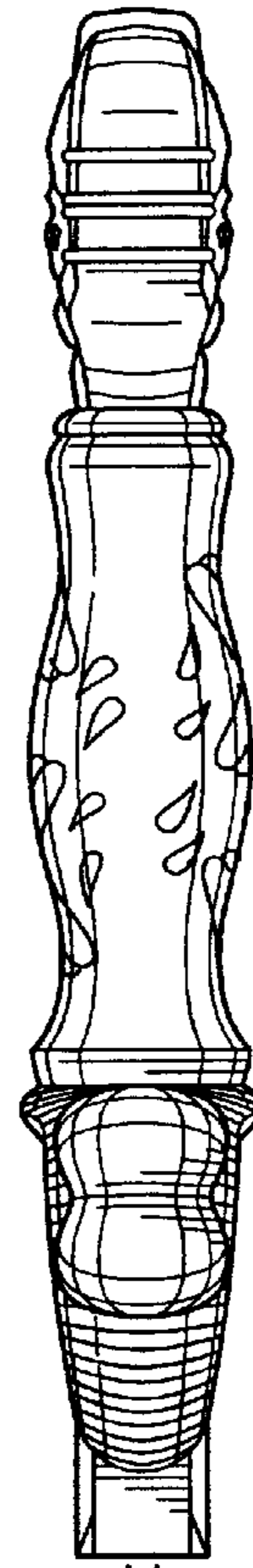


FIG. 4

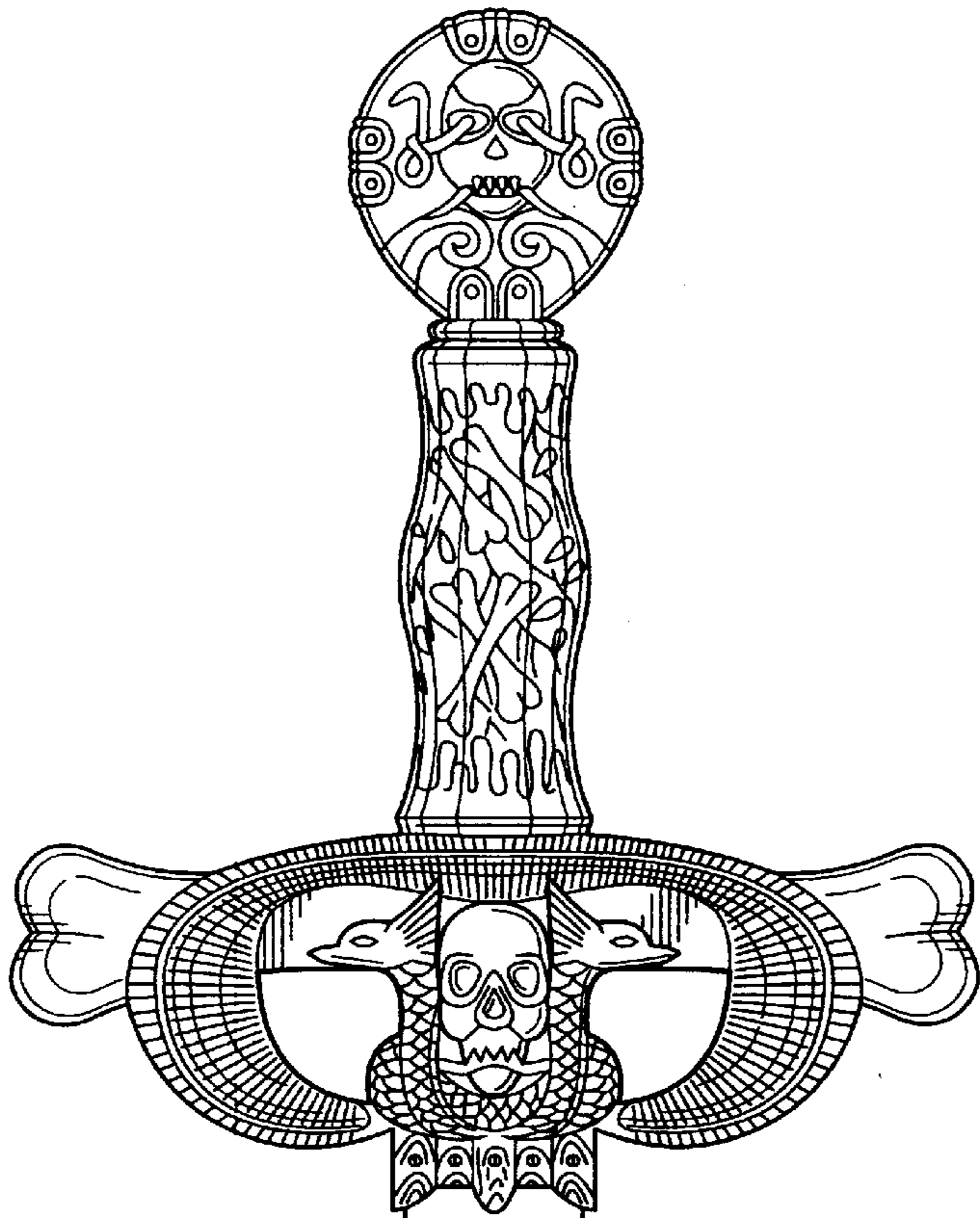


FIG. 3

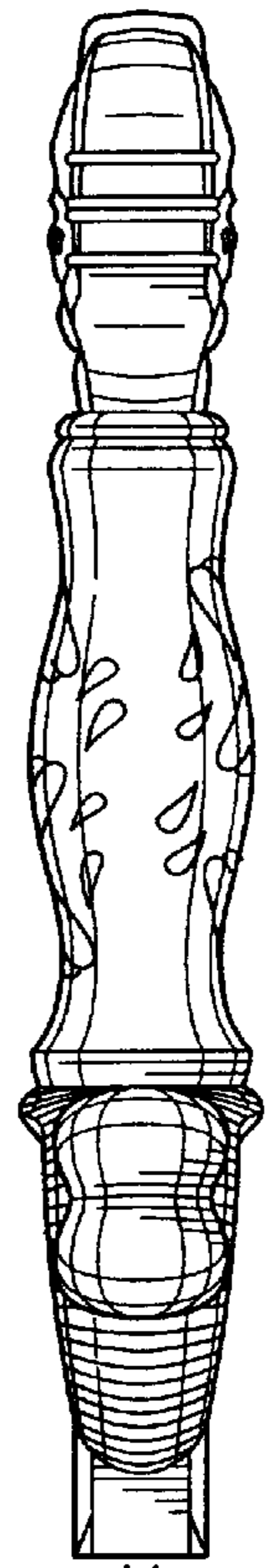


FIG. 5

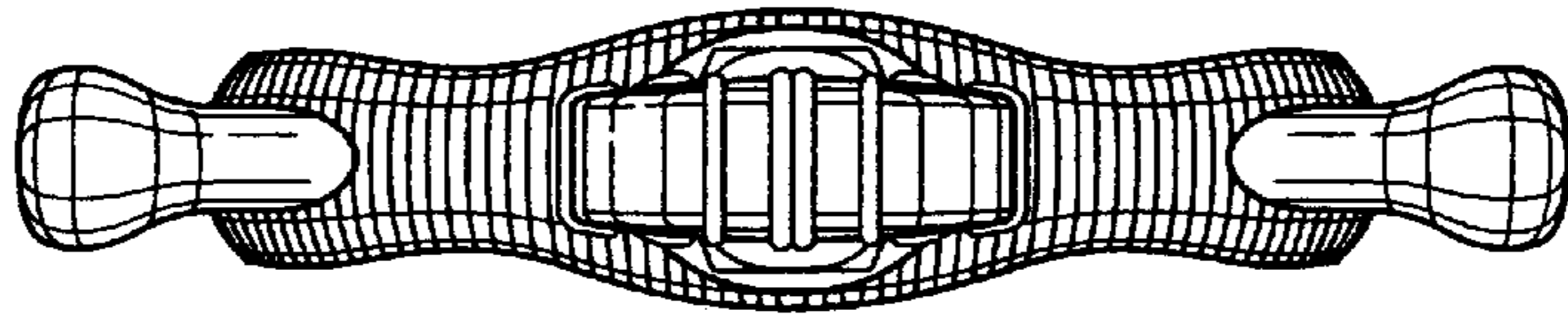


FIG. 6

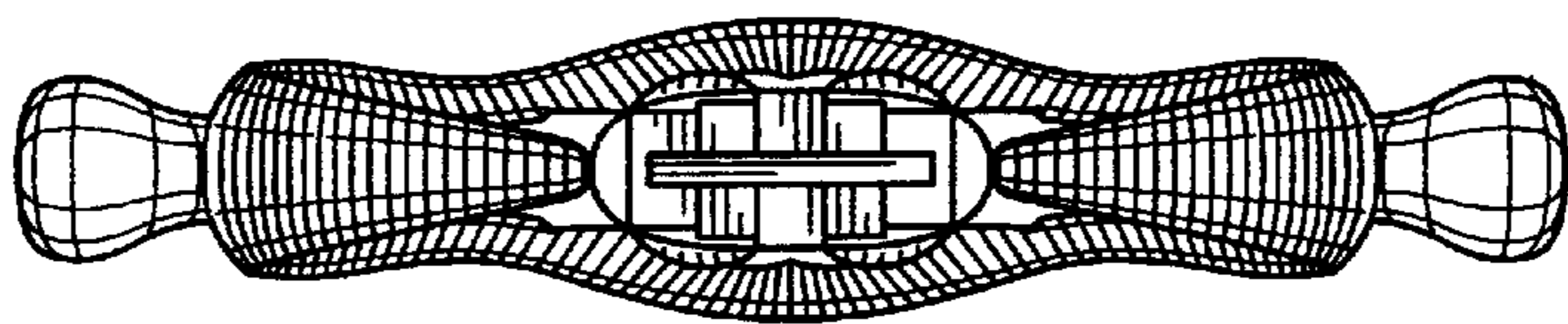


FIG. 7