



US00D399889S

United States Patent [19] Ward

[11] **Patent Number: Des. 399,889**

[45] **Date of Patent: **Oct. 20, 1998**

[54] **BASE CABINET**

5,010,995 4/1991 Okada 194/219
5,611,553 3/1997 Schoeman et al. 312/223.6

[75] Inventor: **Daniel E. Ward**, Boulder, Colo.

FOREIGN PATENT DOCUMENTS

[73] Assignee: **Vector Slot Machine Company, L.L.C.**, Boulder, Colo.

3424594 1/1986 Germany .
3802600 8/1989 Germany 273/138 R
5-161757 6/1993 Japan 273/309
PCT/JP92/
10705 7/1993 Japan A63F 5/04
5-208071(A) 8/1993 Japan A63F 7/02
5-228255(A) 9/1993 Japan A63F 7/02
6-23136(A) 1/1994 Japan A63F 7/02
6-7528(A) 1/1994 Japan A63F 7/02
6-23132(A) 2/1994 Japan A63F 7/02
6-47163(A) 2/1994 Japan A63F 7/02

[**] Term: **14 Years**

[21] Appl. No.: **62,256**

[22] Filed: **Nov. 12, 1996**

[51] **LOC (6) Cl. 21-02**

[52] **U.S. Cl. D21/48; D6/432**

[58] **Field of Search** D6/425, 432, 436,
D6/438-440, 445-448, 444; 312/194-196,
198, 199, 224-226, 204, 283, 257.1; D21/37,
38, 54, 48; 273/142 R, 143 R, 138.1

Primary Examiner—James Gandy
Assistant Examiner—Linda Brooks
Attorney, Agent, or Firm—Fields and Johnson, P.C.

[56] **References Cited**

U.S. PATENT DOCUMENTS

D. 100,664 8/1936 De Vries D6/425
D. 130,113 12/1941 Bechtol .
D. 140,771 11/1945 Meyer D34/5
D. 207,226 3/1967 Fries et al. D6/446
D. 284,592 7/1986 Drews et al. D31/38
D. 286,958 12/1986 Gualtieri D6/432
D. 307,771 5/1990 Cesaroni et al. D21/38
D. 340,954 11/1993 Stefan D21/38
D. 349,133 7/1994 Janssen D21/38
D. 349,524 8/1994 Brettschneider D21/38
D. 351,869 10/1994 Rothschild D21/37
D. 354,637 1/1995 Jarrett D6/432
D. 376,825 12/1996 Hanscom D21/37
830,078 9/1906 Kenyon 273/138.1

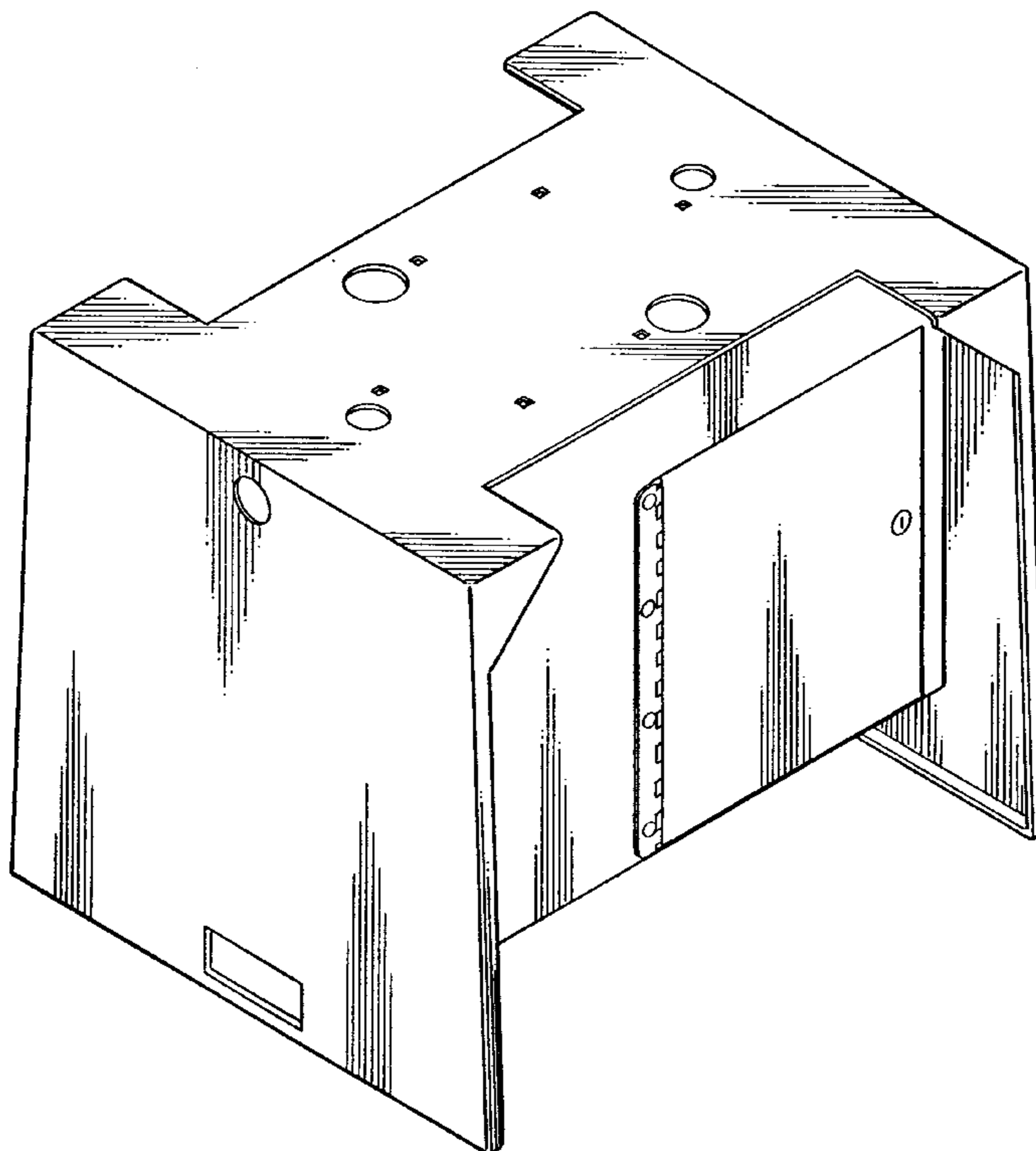
[57] **CLAIM**

The ornamental design for a base cabinet, as shown and described.

DESCRIPTION

FIG. 1 is a perspective view of the base cabinet of this invention;
FIG. 2 is a front elevation of FIG. 1, the rear elevation being a mirror image;
FIG. 3 is a top view of FIG. 1;
FIG. 4 is a left side elevation of FIG. 1, the right side elevation being a mirror image; and,
FIG. 5 is a bottom view of FIG. 1.

1 Claim, 3 Drawing Sheets



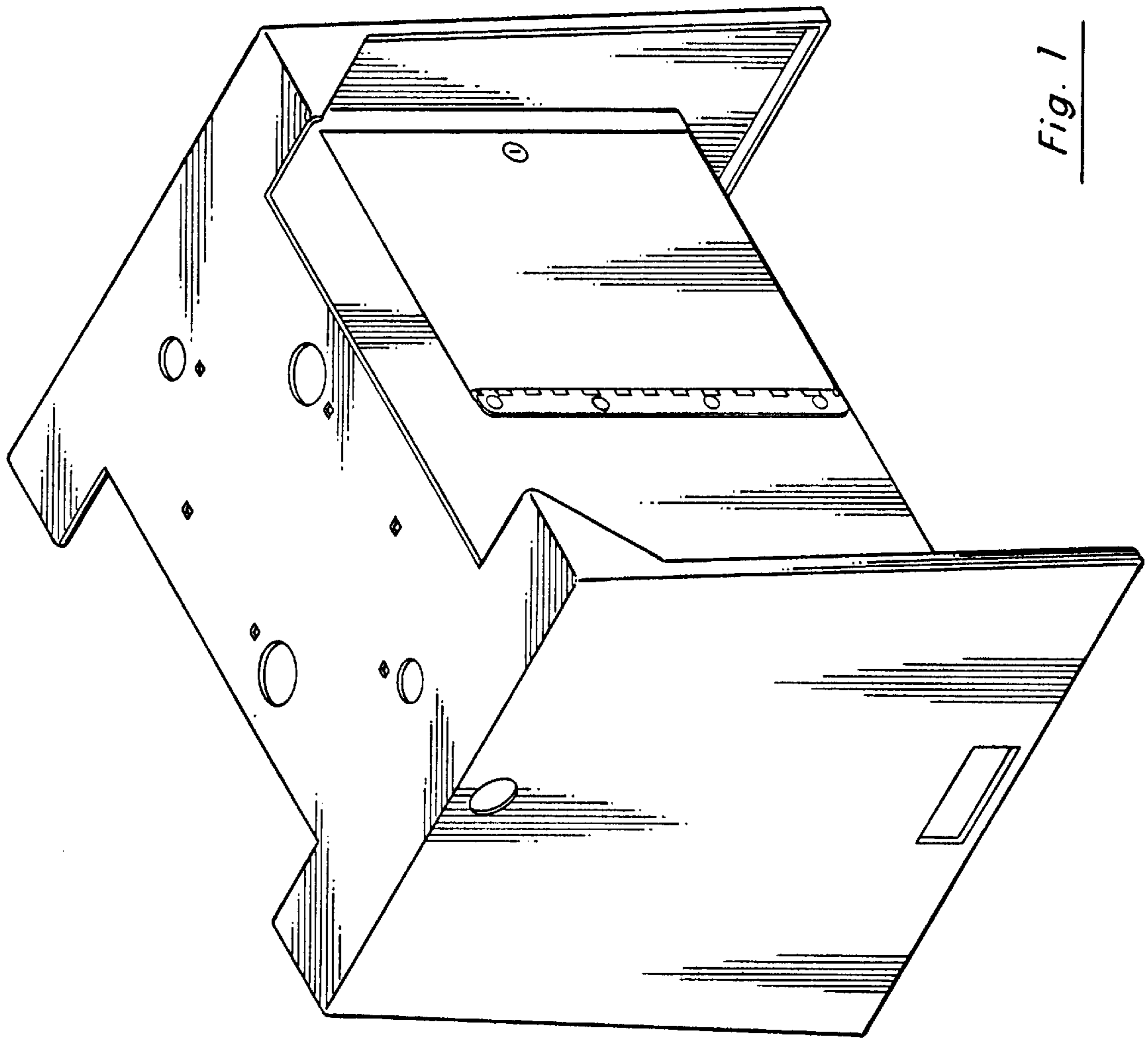


Fig. 1

Fig. 3

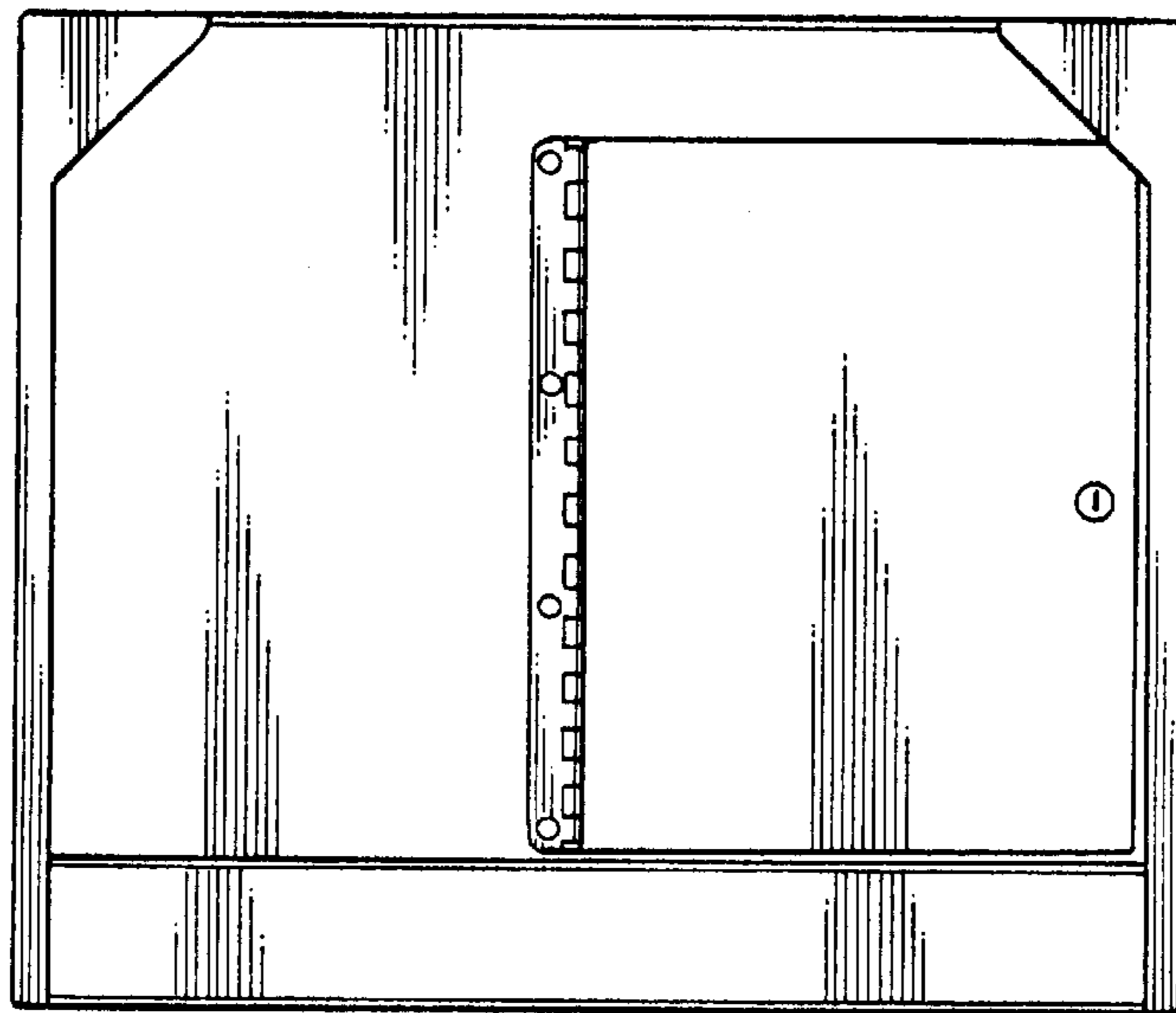
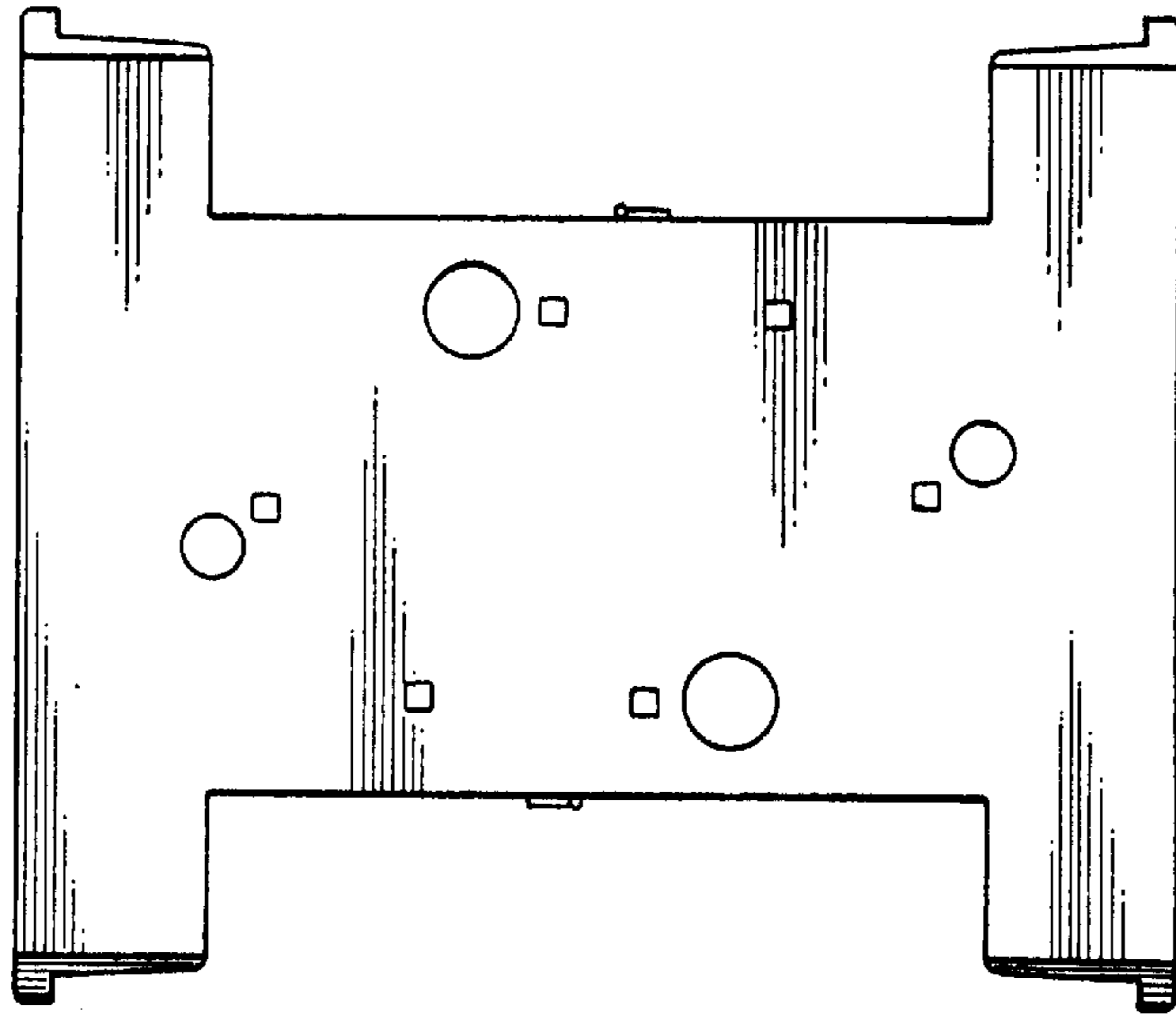


Fig. 2

Fig. 4

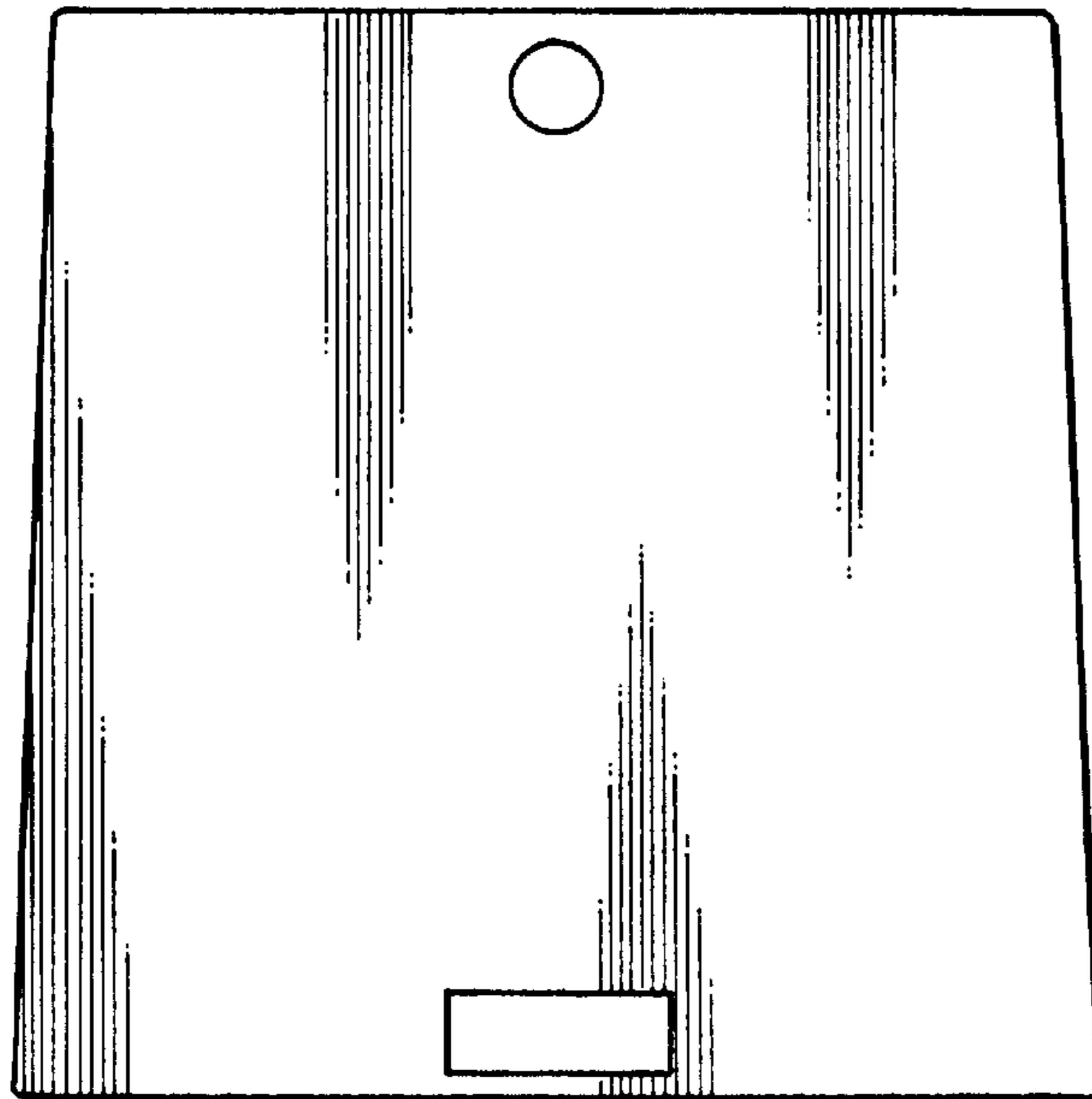


Fig. 5

