

US00D399886S

United States Patent [19]

Brase et al.

[11] **Patent Number: Des. 399,886**

[45] **Date of Patent: **Oct. 20, 1998**

[54] **HAND HELD ELECTRONIC GAME**

[75] Inventors: **Kevin D. Brase**, Lewisville, Tex.;
Charles C. Jensen, Sea Tac, Wash.

[73] Assignee: **Radica China Limited**, Hong Kong,
Hong Kong

[**] Term: **14 Years**

[21] Appl. No.: **80,956**

[22] Filed: **Dec. 22, 1997**

[51] **LOC (6) Cl.** **21-01**

[52] **U.S. Cl.** **D21/13**

[58] **Field of Search** D21/1, 13, 48;
273/148 B; 463/1, 29-35, 46, 47; D14/114,
124

[56] **References Cited**

U.S. PATENT DOCUMENTS

D. 362,692	9/1995	Rissman et al.	D21/13
D. 363,744	10/1995	Hama	D21/13
D. 376,826	12/1996	Ashida	D21/48
D. 380,783	7/1997	Tyler	D21/48
D. 389,529	1/1998	Hayami	D21/48
4,969,647	11/1990	Mical et al.	463/46 X
5,184,830	2/1993	Okada et al.	463/46
5,476,261	12/1995	Hultstrand	273/148 B

OTHER PUBLICATIONS

Hong Kong Enterprise, p. 133, Oct. 1994.
Hong Kong Enterprise, p. 130, Oct. 1994.

Primary Examiner—Prabhakar G. Deshmukh
Attorney, Agent, or Firm—Roylance, Abrams, Bedro &
Goodman, L.L.P.

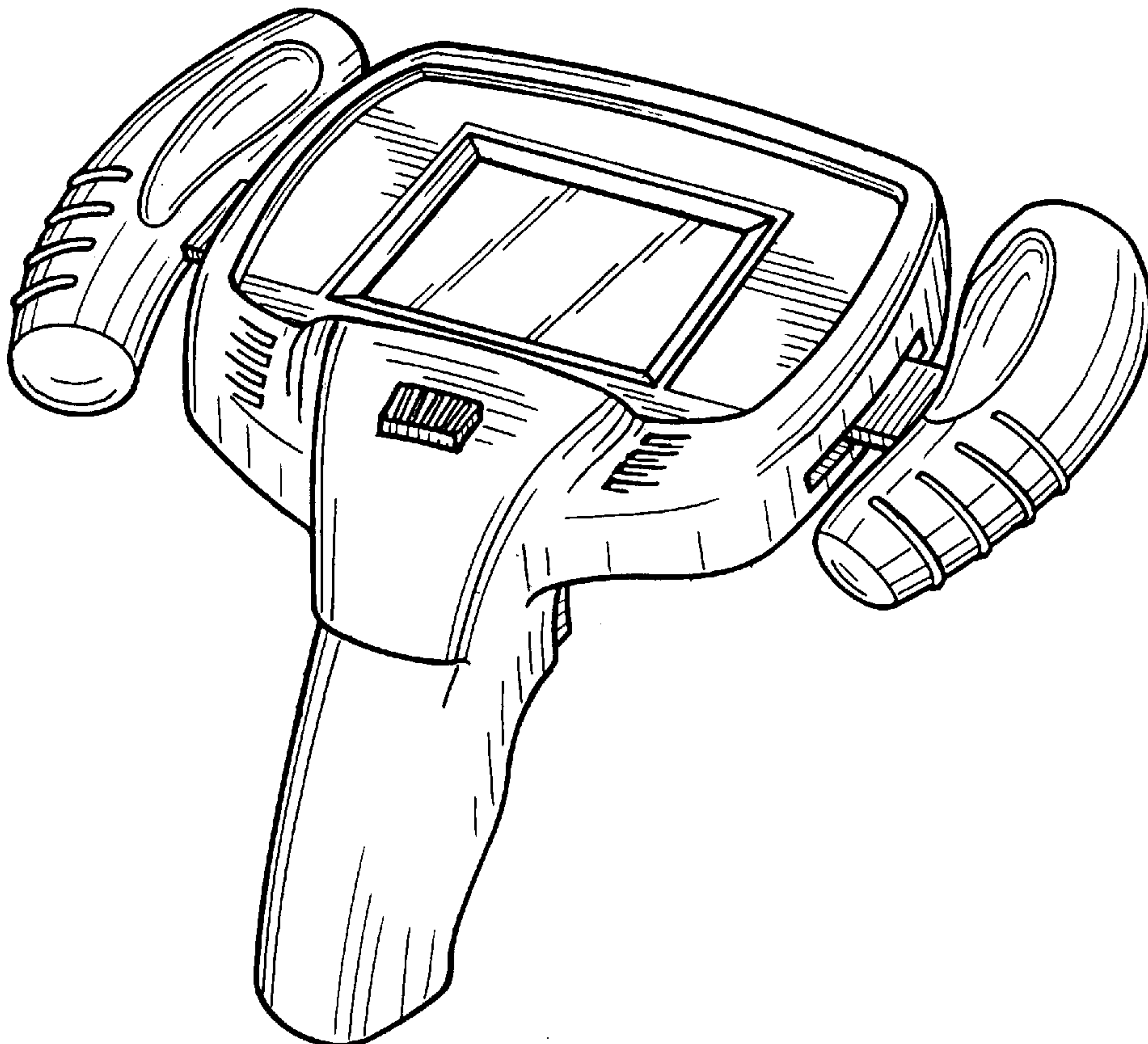
[57] **CLAIM**

The ornamental design for a hand held electronic game, as shown and described.

DESCRIPTION

FIG. 1 is a front perspective view of a hand held electronic game in accordance with our new design;
FIG. 2 is a top plan view of the hand held electronic game illustrated in FIG. 1;
FIG. 3 is a bottom plan view of the hand held electronic game illustrated in FIGS. 1 and 2;
FIG. 4 is a right side elevational view of the hand held electronic game illustrated in FIGS. 1-3;
FIG. 5 is a left side elevational view of the hand held electronic game illustrated in FIGS. 1-4;
FIG. 6 is a rear elevational view of the hand held electronic game illustrated in FIGS. 1-5; and,
FIG. 7 is a front elevational view of the hand held electronic game illustrated in FIGS. 1-6.

1 Claim, 3 Drawing Sheets



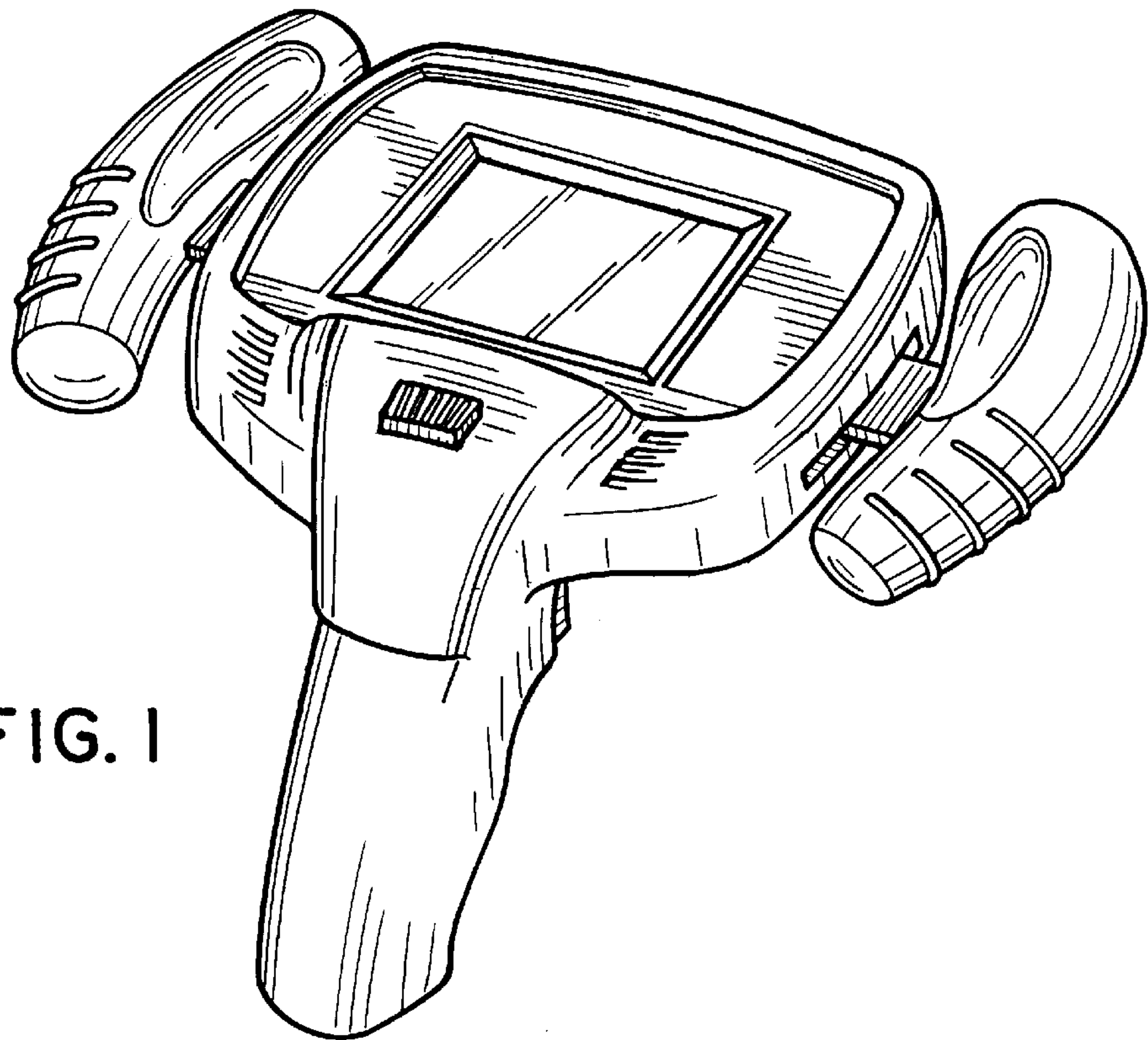


FIG. 1

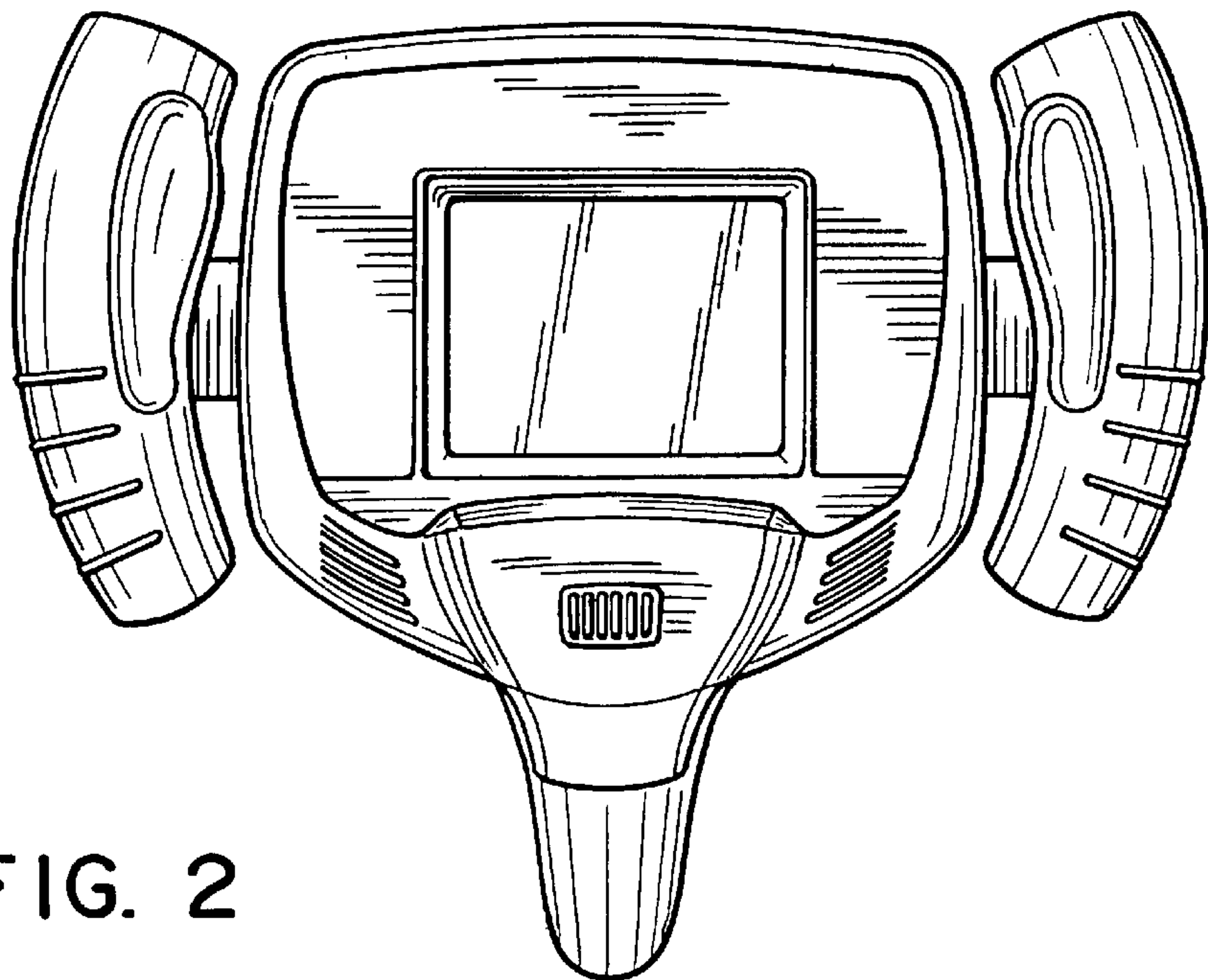


FIG. 2

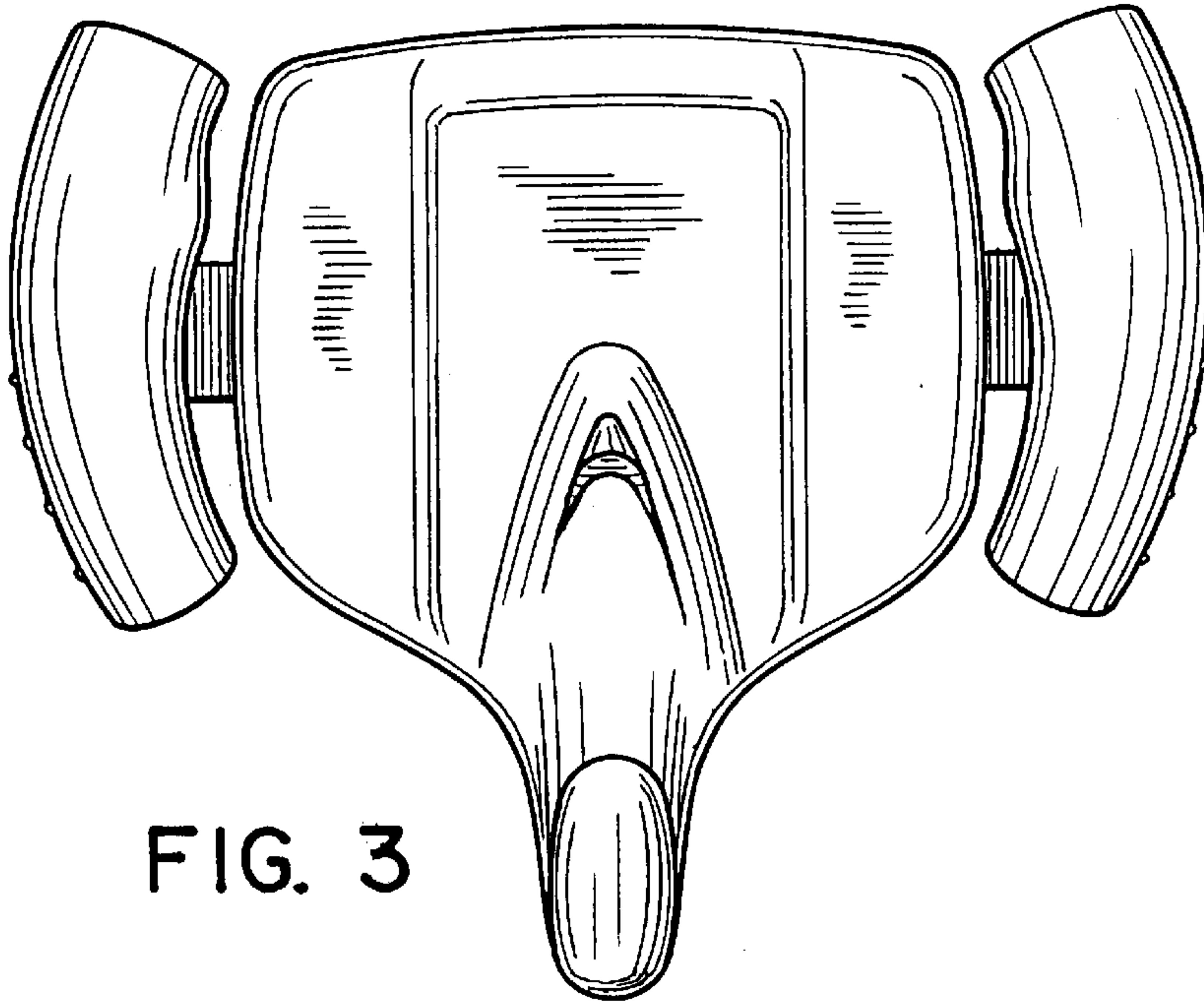


FIG. 3

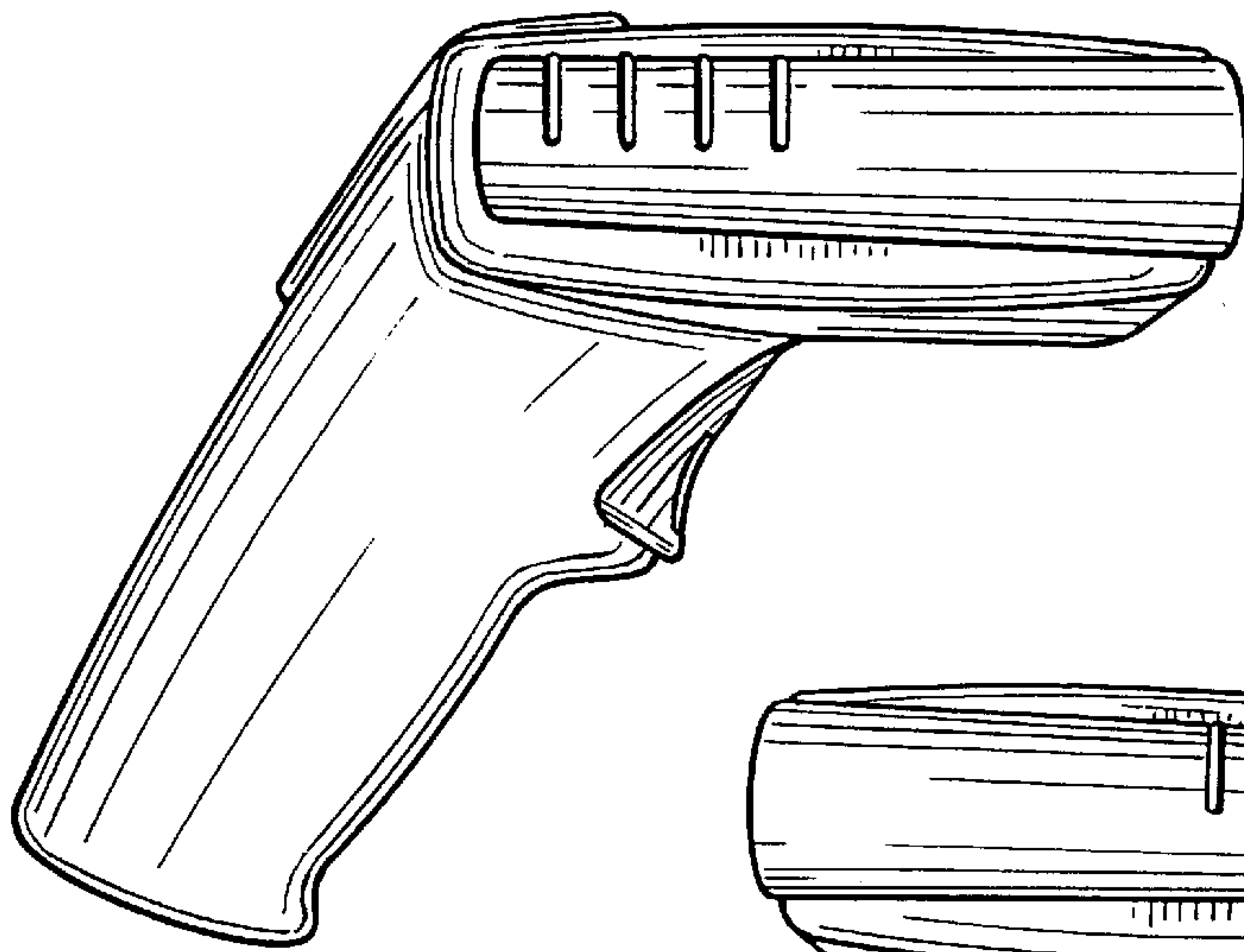


FIG. 4

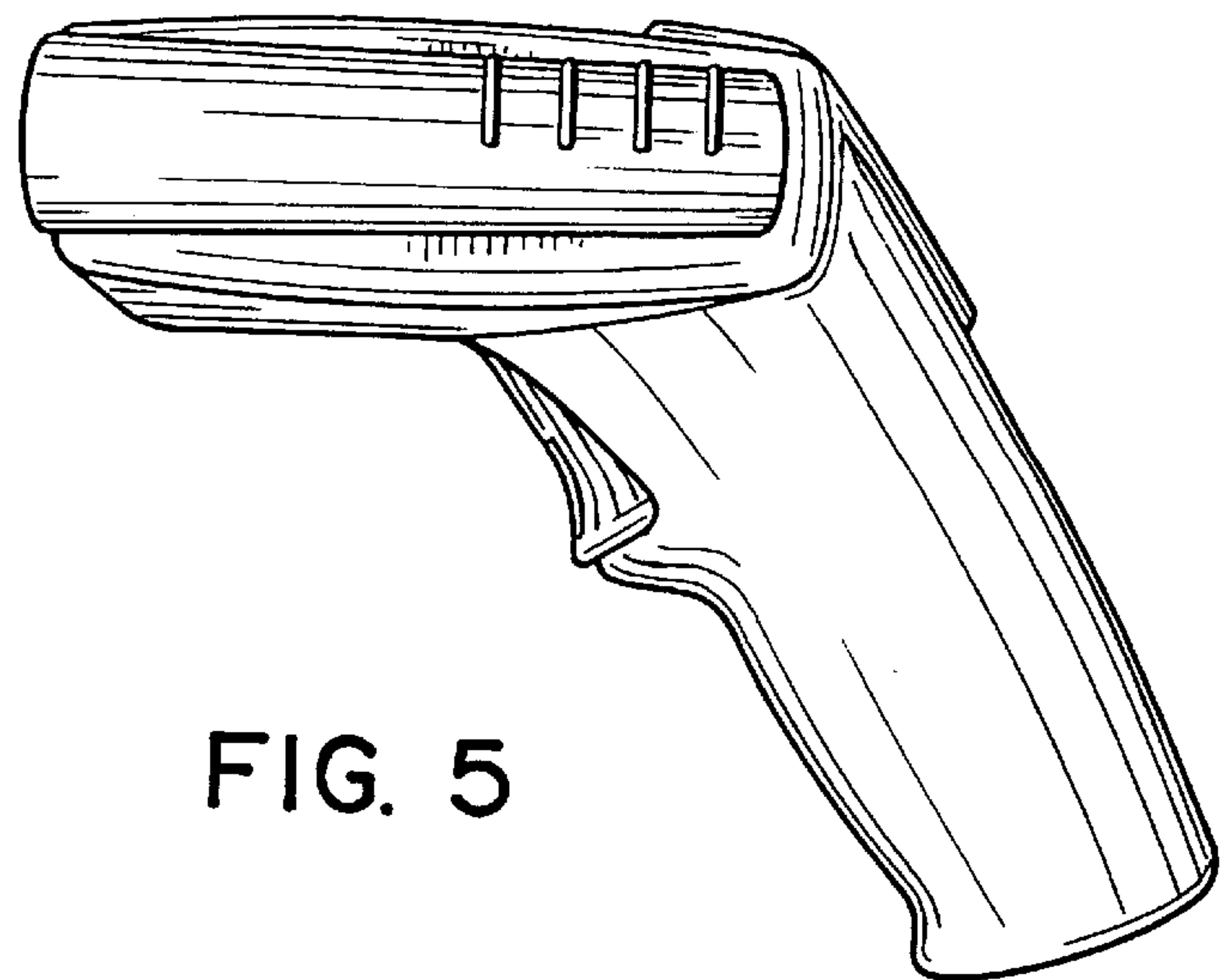


FIG. 5

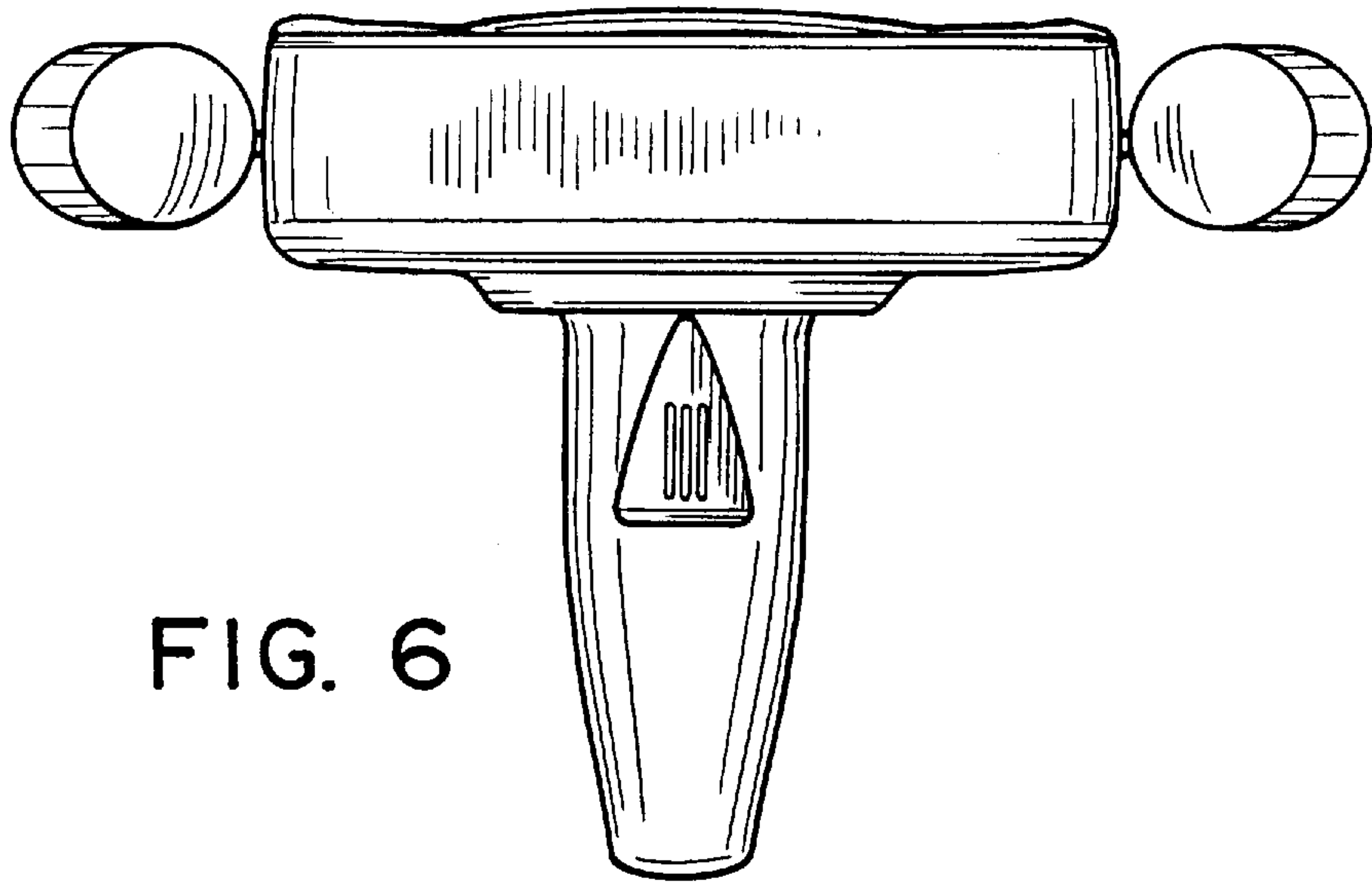


FIG. 6

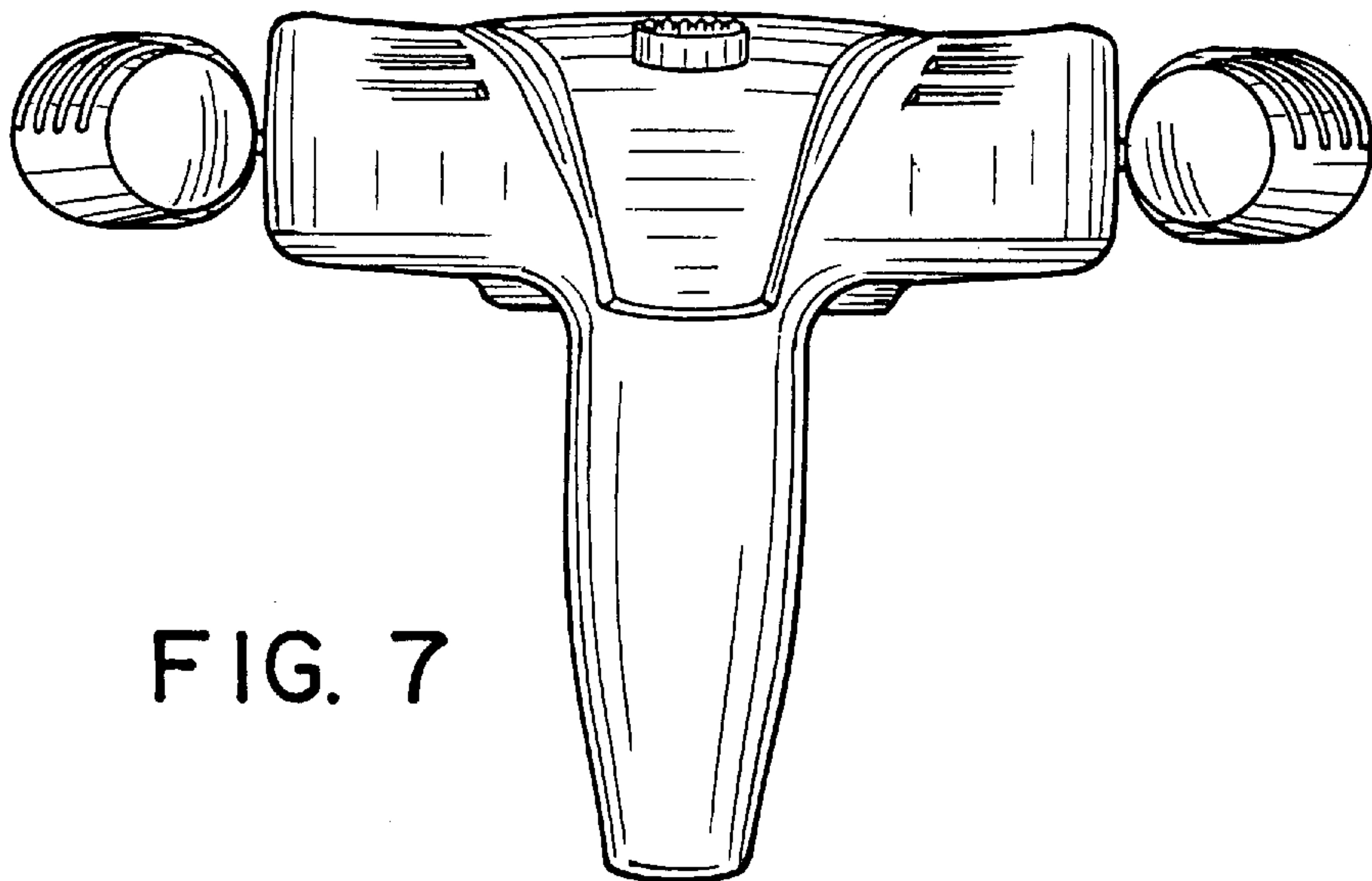


FIG. 7