



US00D399884S

United States Patent [19]
Schultz et al.

[11] **Patent Number: Des. 399,884**
[45] **Date of Patent: **Oct. 20, 1998**

[54] **HAND HELD ELECTRONIC GAME**

OTHER PUBLICATIONS

[75] Inventors: **David E. Schultz**, Cincinnati, Ohio;
Ronald D. Bagley, Garland, Tex.

Hong Kong Enterprise, p. 133, Oct. 1994.
Hong Kong Enterprise, p. 130, Oct. 1994.

[73] Assignee: **Radica China Limited**, Hong Kong,
Hong Kong

Primary Examiner—Prabhakar G. Deshmukh
Attorney, Agent, or Firm—Roylance, Abrams, Berdo &
Goodman, L.L.P.

[**] Term: **14 Years**

[57] **CLAIM**

[21] Appl. No.: **80,953**

The ornamental design for a hand held electronic game, as
shown and described.

[22] Filed: **Dec. 22, 1997**

DESCRIPTION

[51] **LOC (6) Cl.** **21-01**

[52] **U.S. Cl.** **D21/13**

[58] **Field of Search** D21/1, 13, 48;
273/148 B; 463/1, 29-35, 46, 47; D14/114,
124

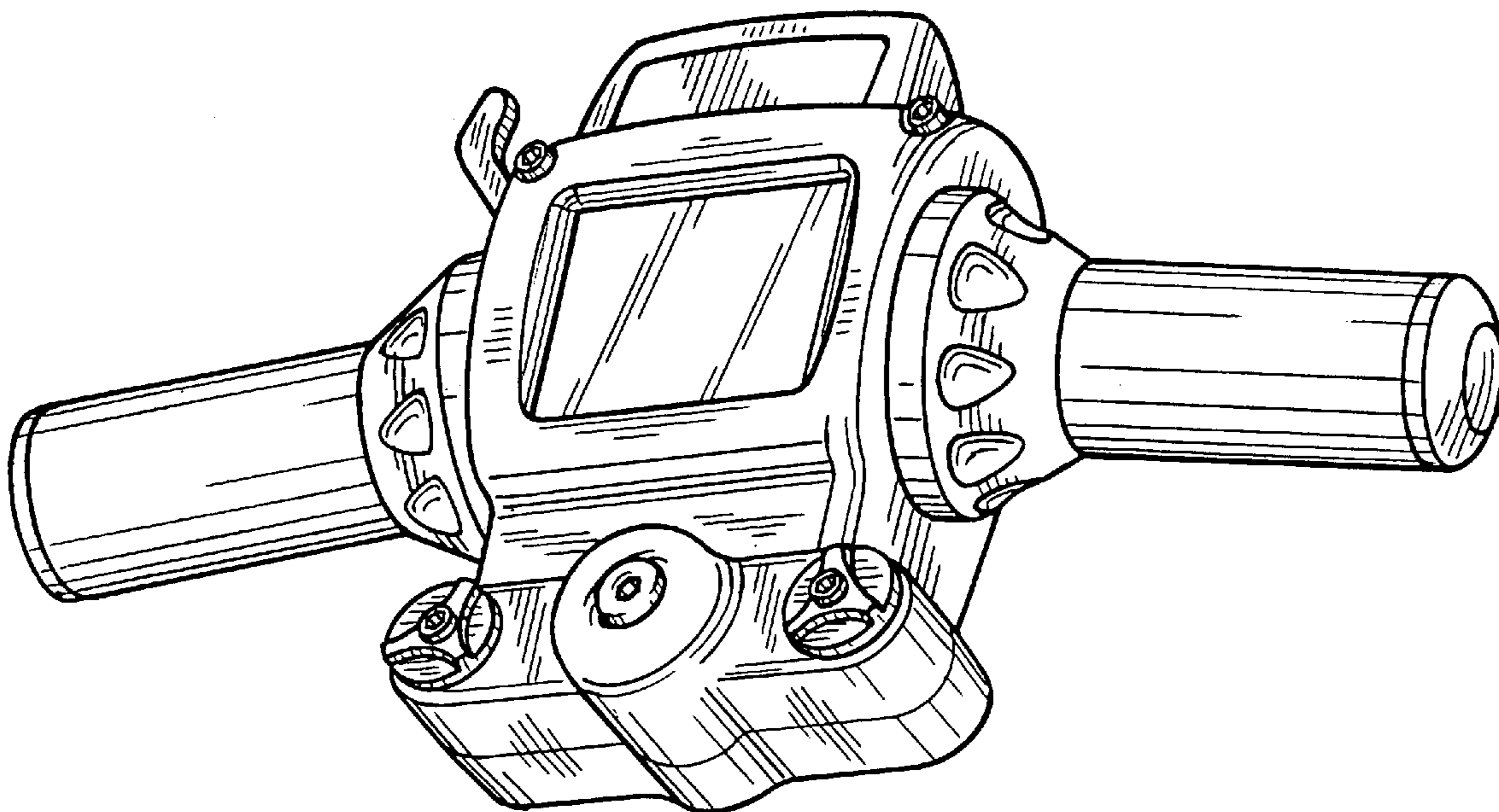
FIG. 1 is a perspective view of a hand held electronic game
in accordance with our new design;
FIG. 2 is a front elevational view of the hand held electronic
game illustrated in FIG. 1;
FIG. 3 is a rear elevational view of the hand held electronic
game illustrated in FIGS. 1 and 2;
FIG. 4 is a left side elevational view of the hand held
electronic game illustrated in FIGS. 1-3;
FIG. 5 is a right side elevational view of the hand held
electronic game illustrated in FIGS. 1-4;
FIG. 6 is a tip plan view of the hand held electronic game
illustrated in FIGS. 1-5; and,
FIG. 7 is a bottom plan view of the hand held electronic
game illustrated in FIGS. 1-6.

[56] **References Cited**

U.S. PATENT DOCUMENTS

D. 250,606	12/1978	Hall et al.	D21/13
D. 342,289	12/1993	Hara	D21/13
D. 362,692	9/1995	Rissman et al.	D21/13
D. 369,190	4/1996	Feiz	D21/13
D. 380,501	7/1997	Osterhout et al.	D21/13
4,969,647	11/1990	Mucak et al.	463/46 X
5,034,574	7/1991	Martovitz	273/148 B X
5,476,261	12/1995	Hultstrand	273/148 B

1 Claim, 3 Drawing Sheets



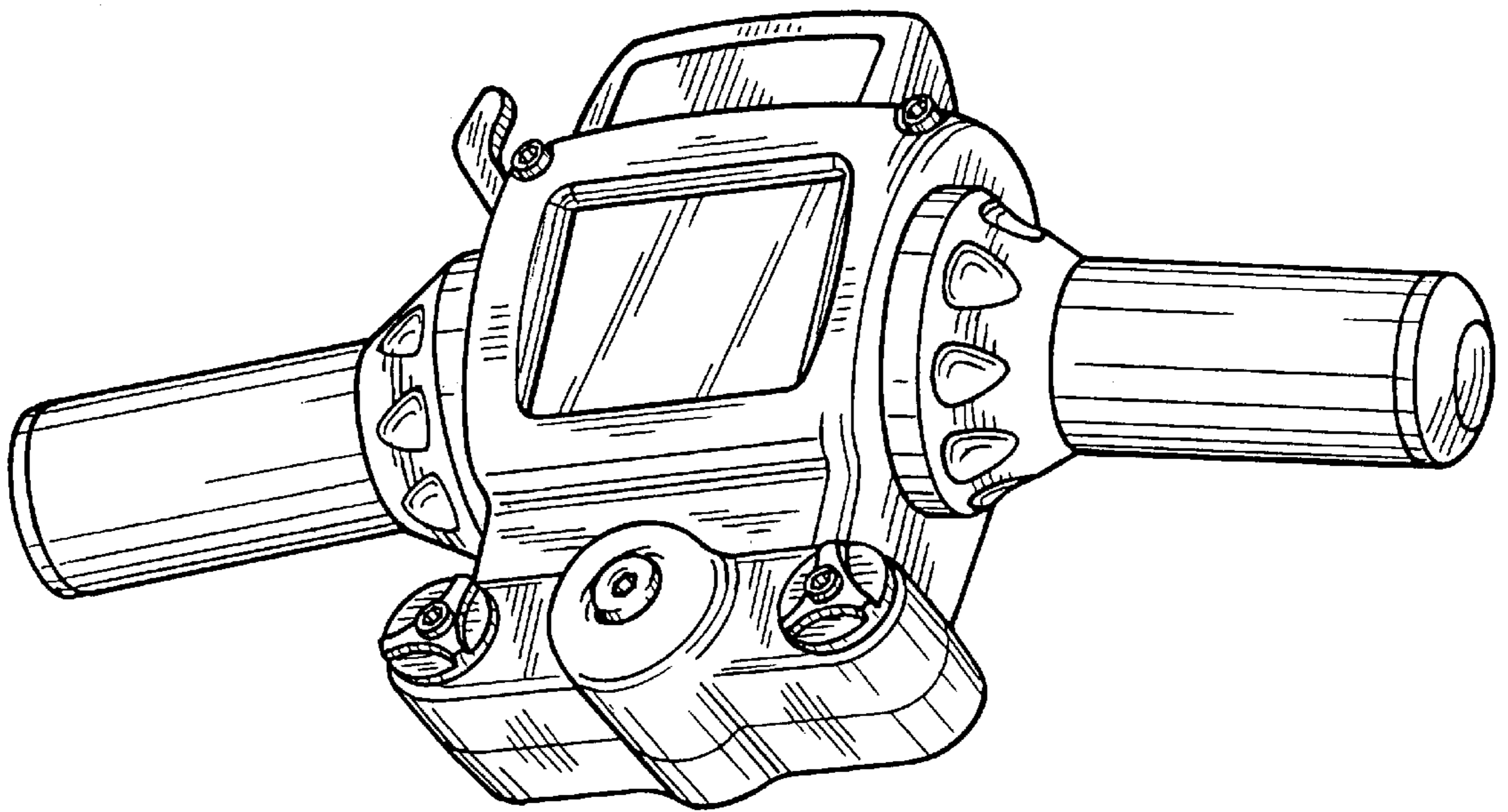


FIG. 1

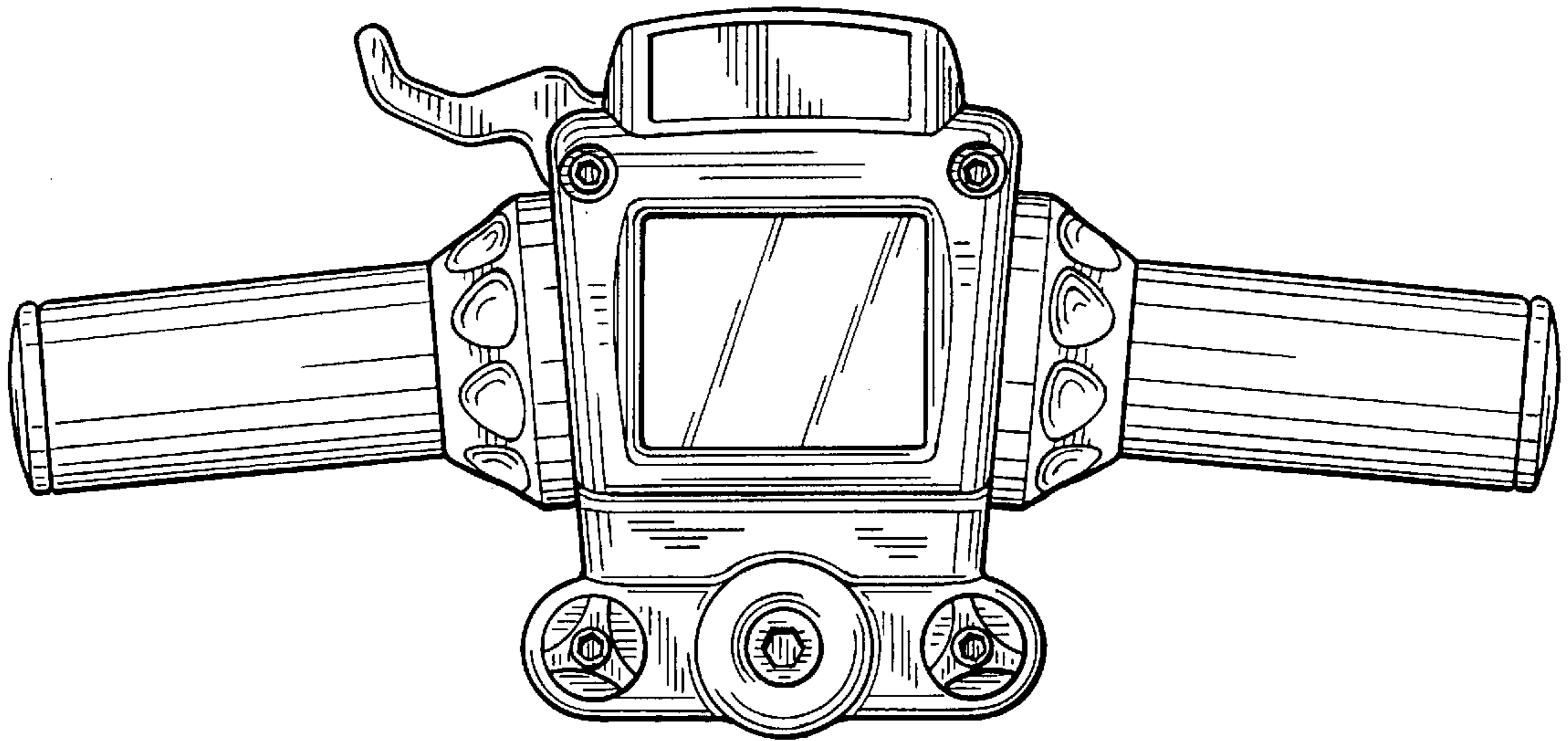


FIG. 2

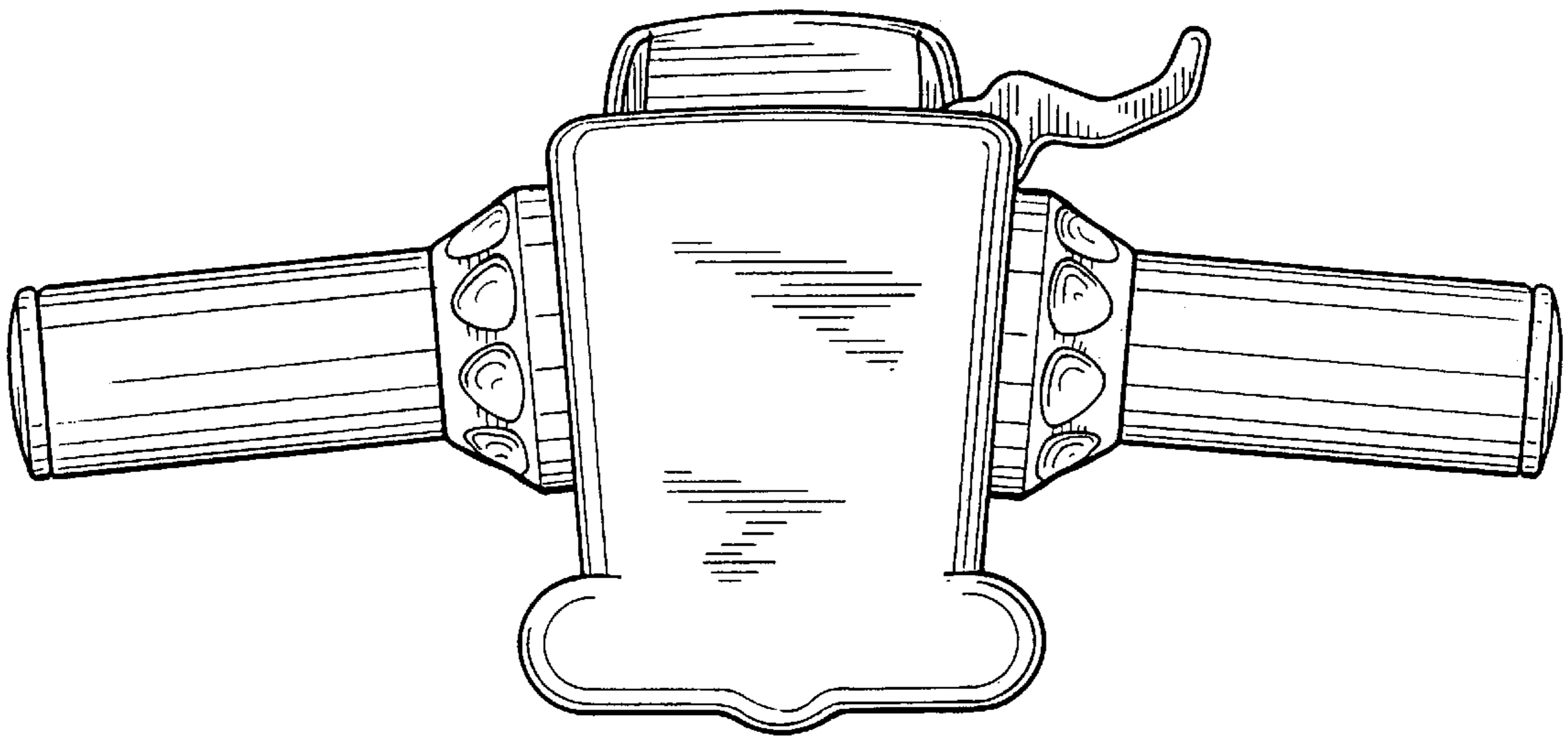


FIG. 3

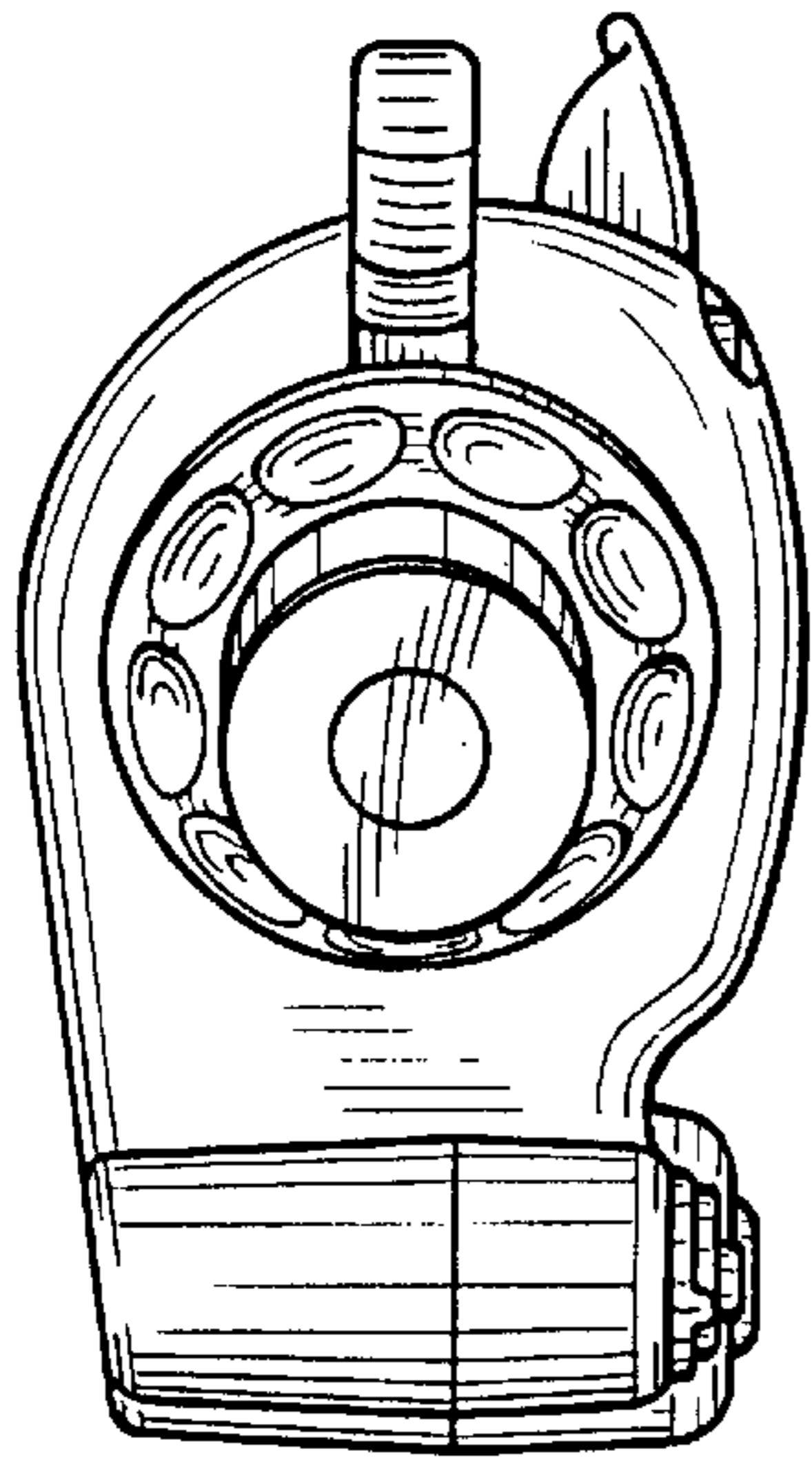


FIG. 4

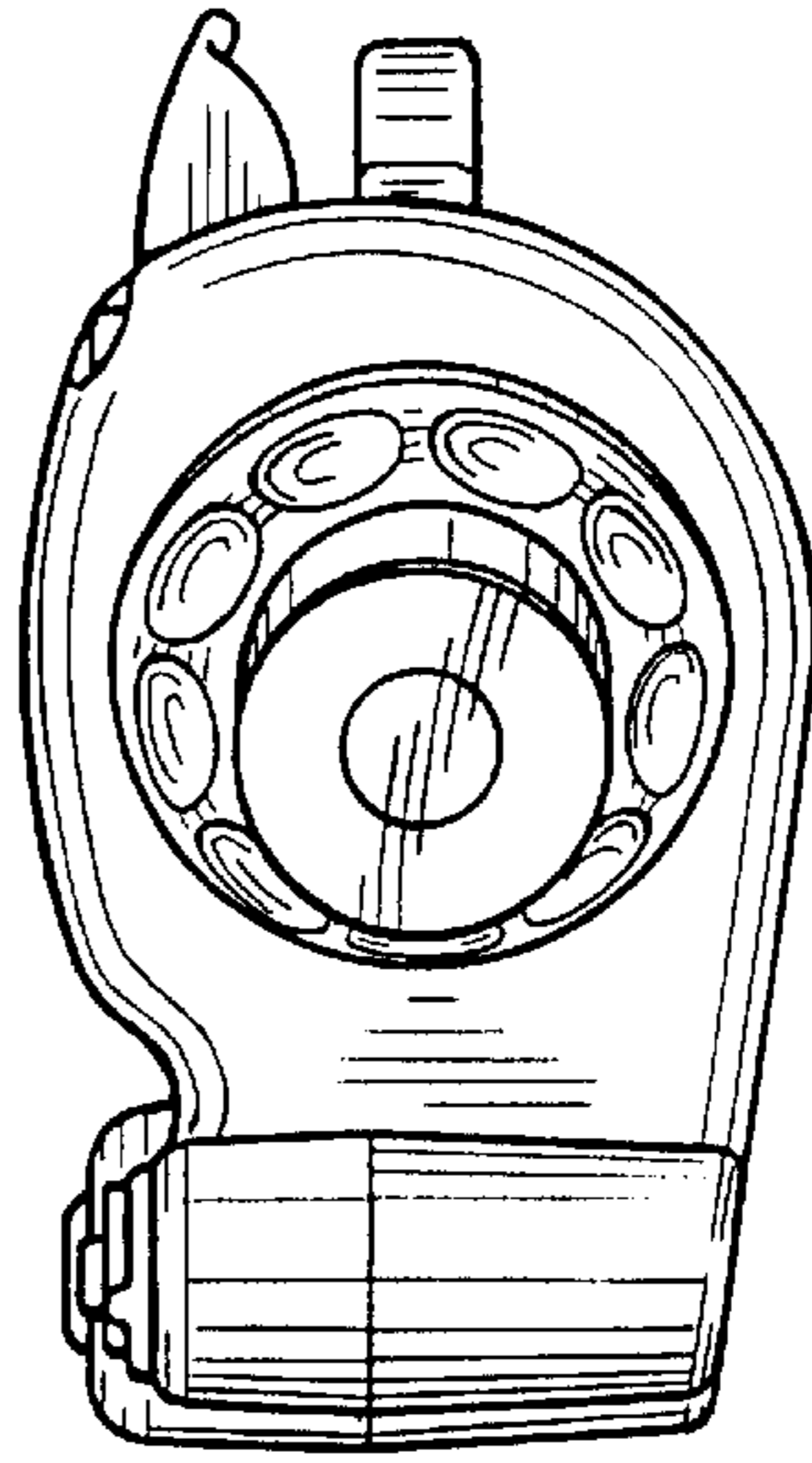


FIG. 5

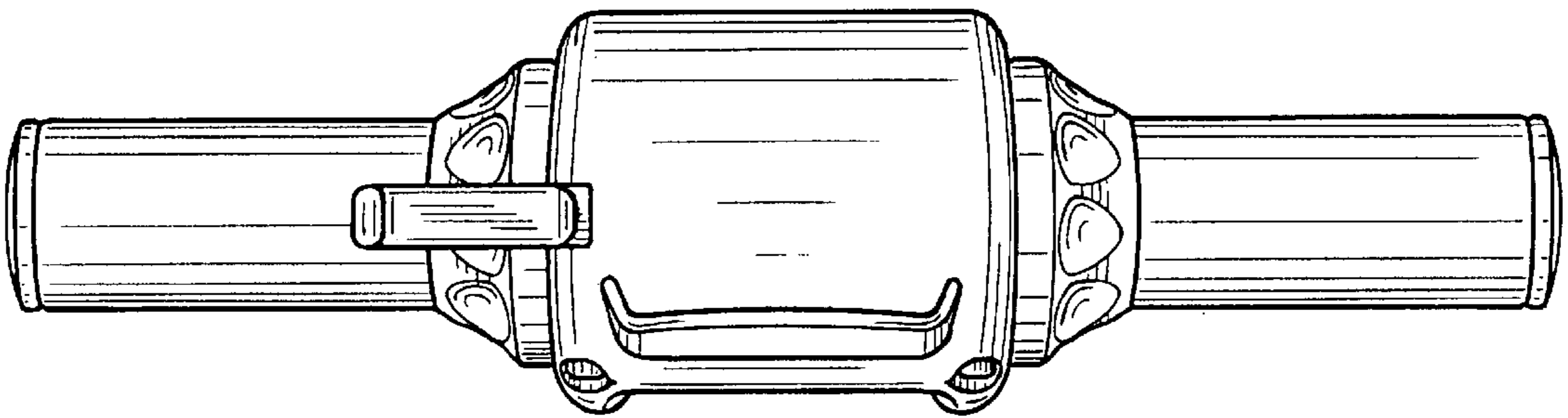


FIG. 6

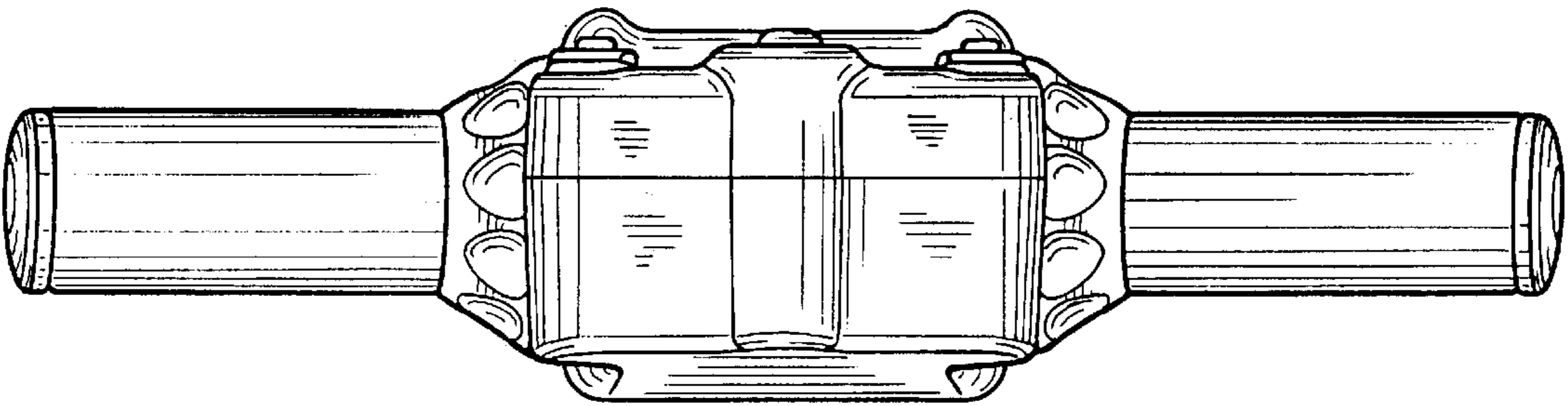


FIG. 7