



US00D399881S

# United States Patent [19]

[11] Patent Number: **Des. 399,881**

Muraki et al.

[45] Date of Patent: **\*\*Oct. 20, 1998**

[54] **GAME MACHINE**

[75] Inventors: **Hiroyuki Muraki; Katsunori Okita; Satoshi Uchiyama**, all of Kobe, Japan

[73] Assignee: **Konami Co., Ltd.**, Hyogo-ken, Japan

[\*\*] Term: **14 Years**

[21] Appl. No.: **78,749**

[22] Filed: **Nov. 3, 1997**

### [30] Foreign Application Priority Data

May 6, 1997 [JP] Japan ..... 9-053509

[51] **LOC (6) Cl.** ..... **21-01**

[52] **U.S. Cl.** ..... **D21/13**

[58] **Field of Search** ..... D21/1, 13, 240, D21/5, 11, 147; 463/1, 30, 31, 35, 46, 47, 51, 52; 273/355, 356, 357, 405

### [56] References Cited

#### U.S. PATENT DOCUMENTS

- D. 380,779 7/1997 Shinzato ..... D21/13
- D. 382,915 8/1997 Yang ..... D21/13
- D. 383,169 9/1997 Shinzato ..... D21/13

- D. 384,982 10/1997 Moriyama ..... D21/13
- D. 386,796 11/1997 Komori ..... D21/13
- 4,123,059 10/1978 Guibas ..... 273/356
- 4,215,867 8/1980 Natwick ..... 273/357
- 5,299,810 4/1994 Pierce et al. .... 463/30 X
- 5,318,295 6/1994 Hofer ..... 463/30 X
- 5,439,230 8/1995 Mendes, Jr. .... 463/51 X

### OTHER PUBLICATIONS

Jet Wave Simulation Game, p. 134, Feb. 1996.

*Primary Examiner*—Prabhakar G. Deshmukh  
*Attorney, Agent, or Firm*—Jordan and Hamburg

### [57] CLAIM

The ornamental design for a game machine, as shown and described.

### DESCRIPTION

FIG. 1 is a perspective view of a game machine; FIG. 2 is a front view of the game machine; FIG. 3 is a rear view of the game machine; FIG. 4 is a left side view of the game machine; FIG. 5 is a right side view of the game machine; FIG. 6 is a top view of the game machine; and, FIG. 7 is a bottom view of the game machine.

**1 Claim, 7 Drawing Sheets**

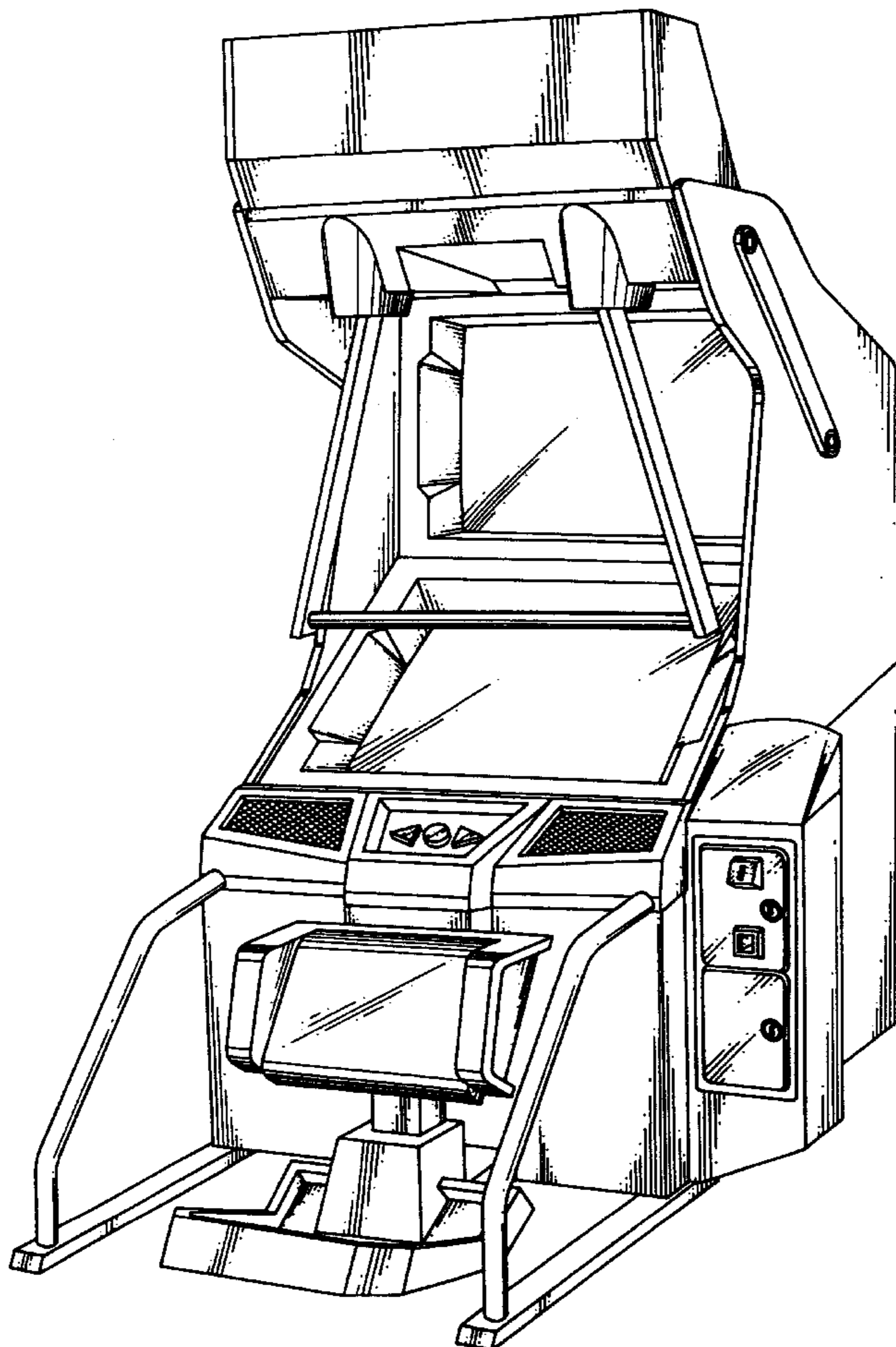


FIG. 1

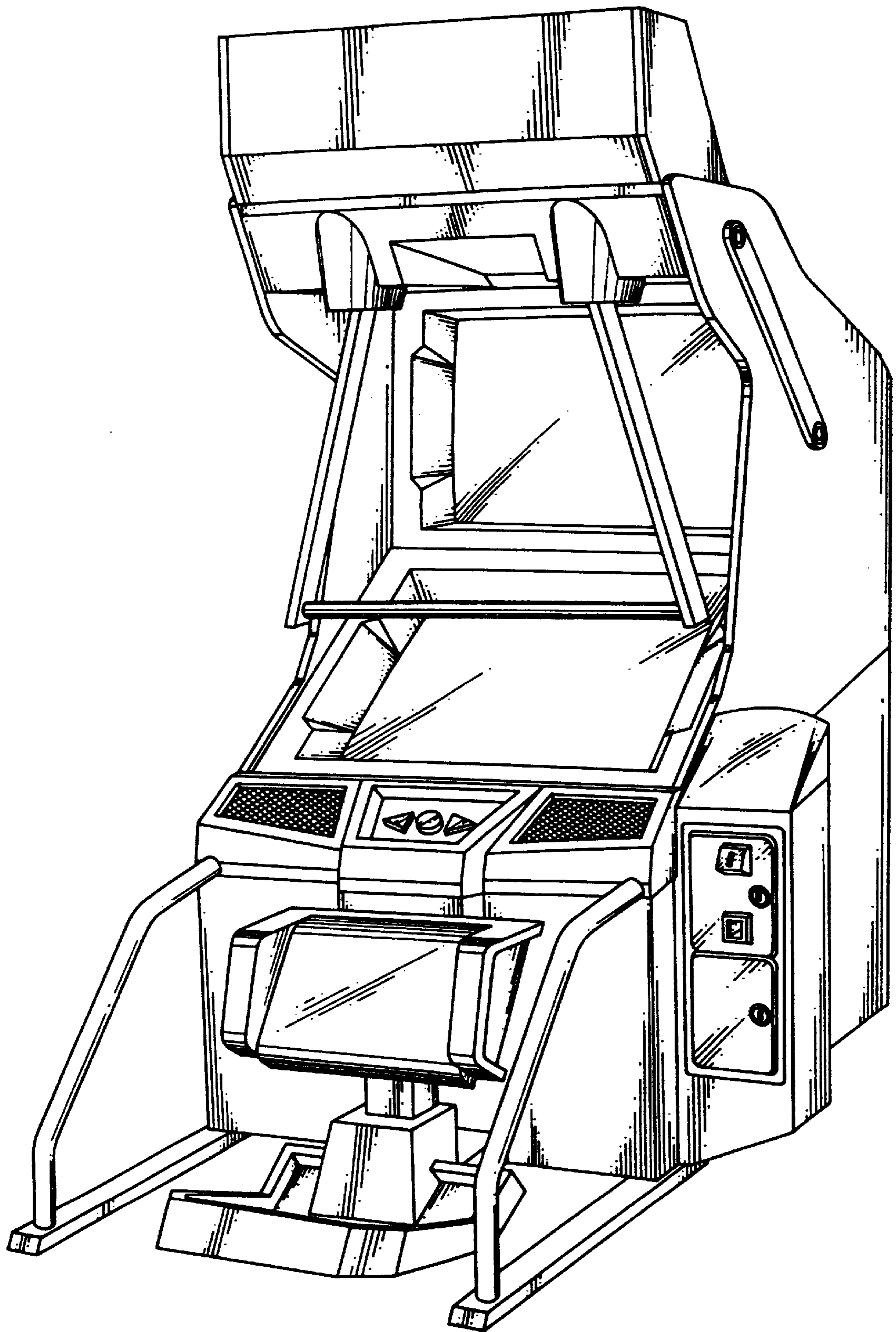


FIG. 2

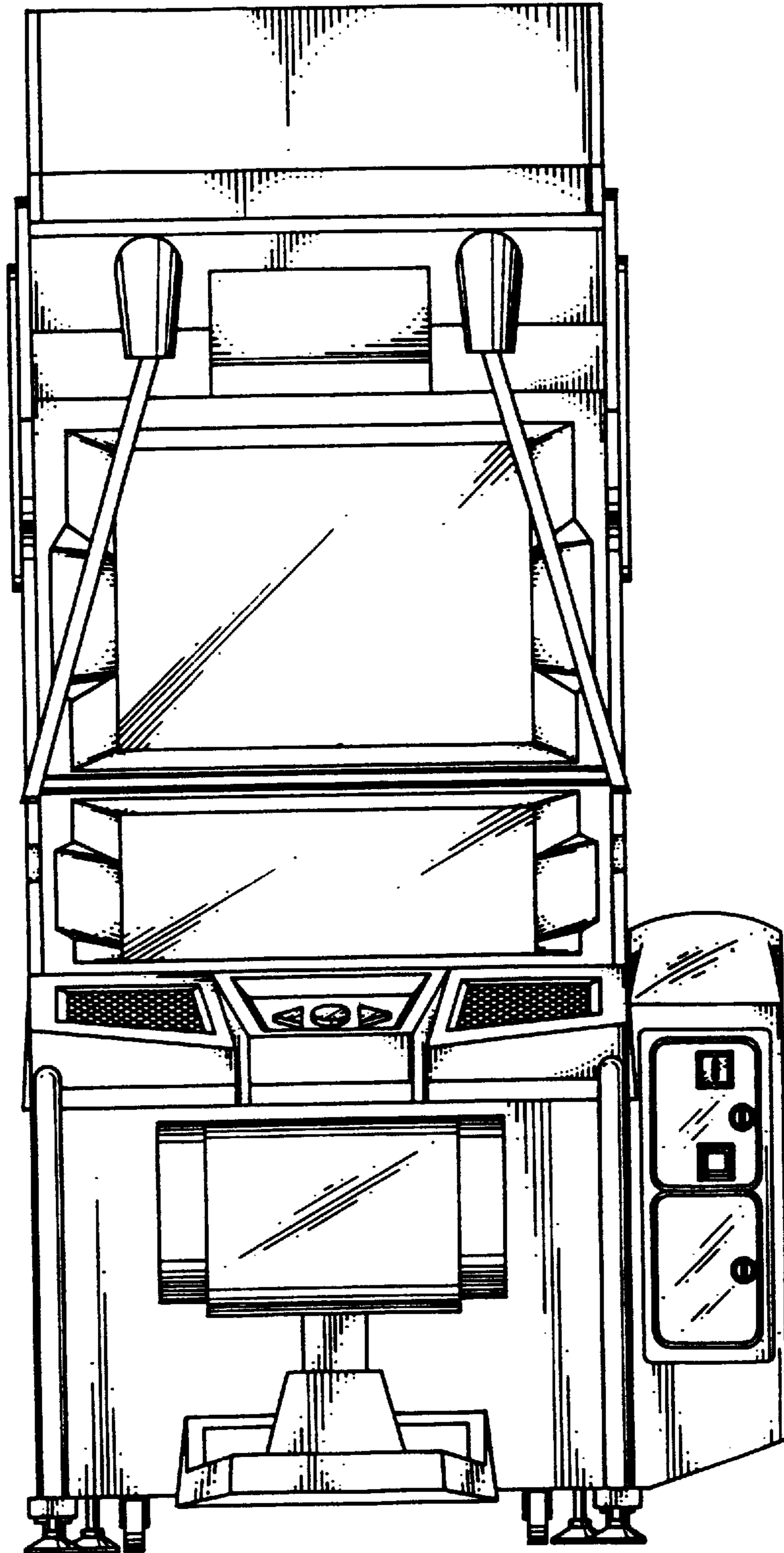


FIG. 3

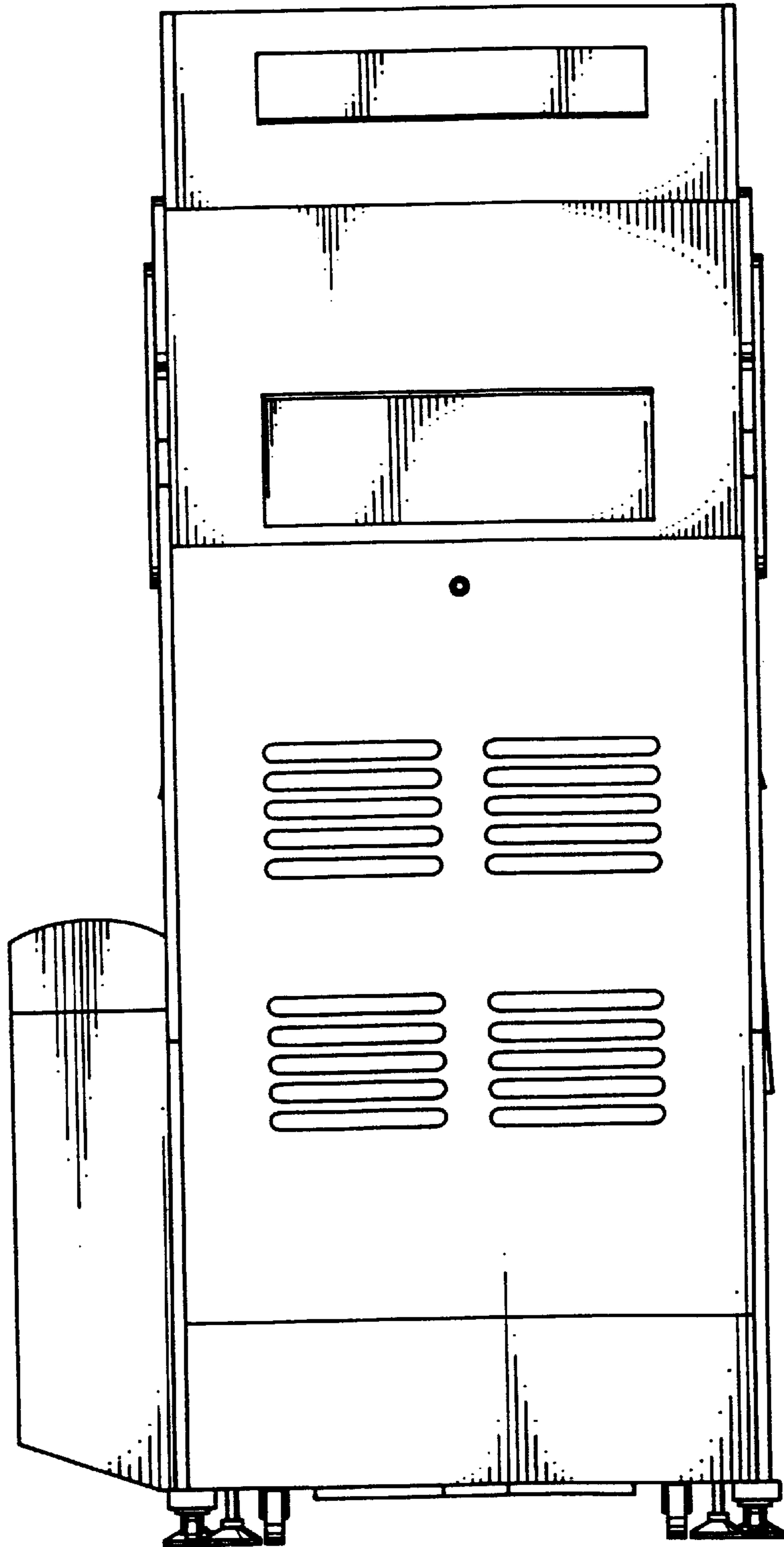


FIG. 4

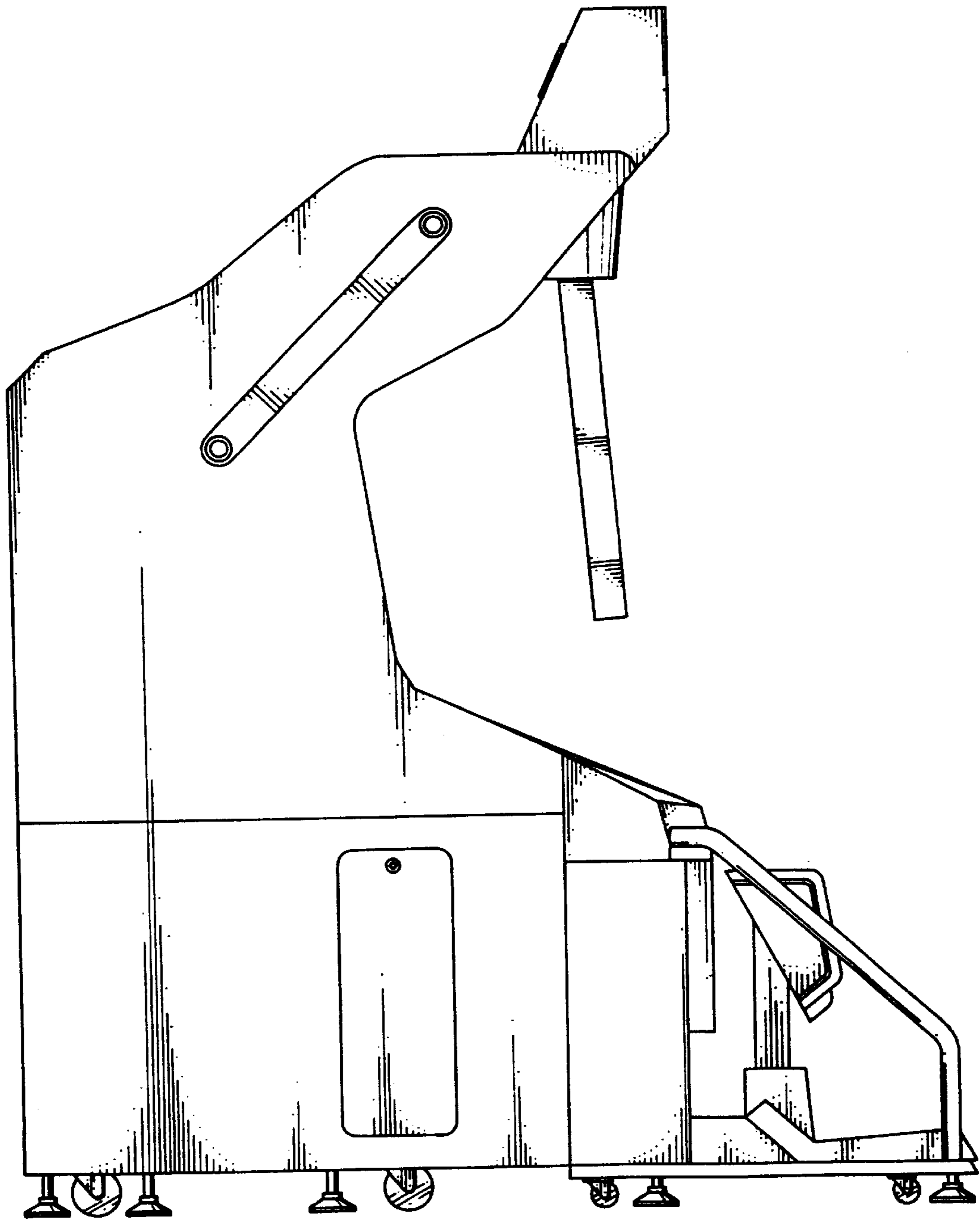


FIG. 5

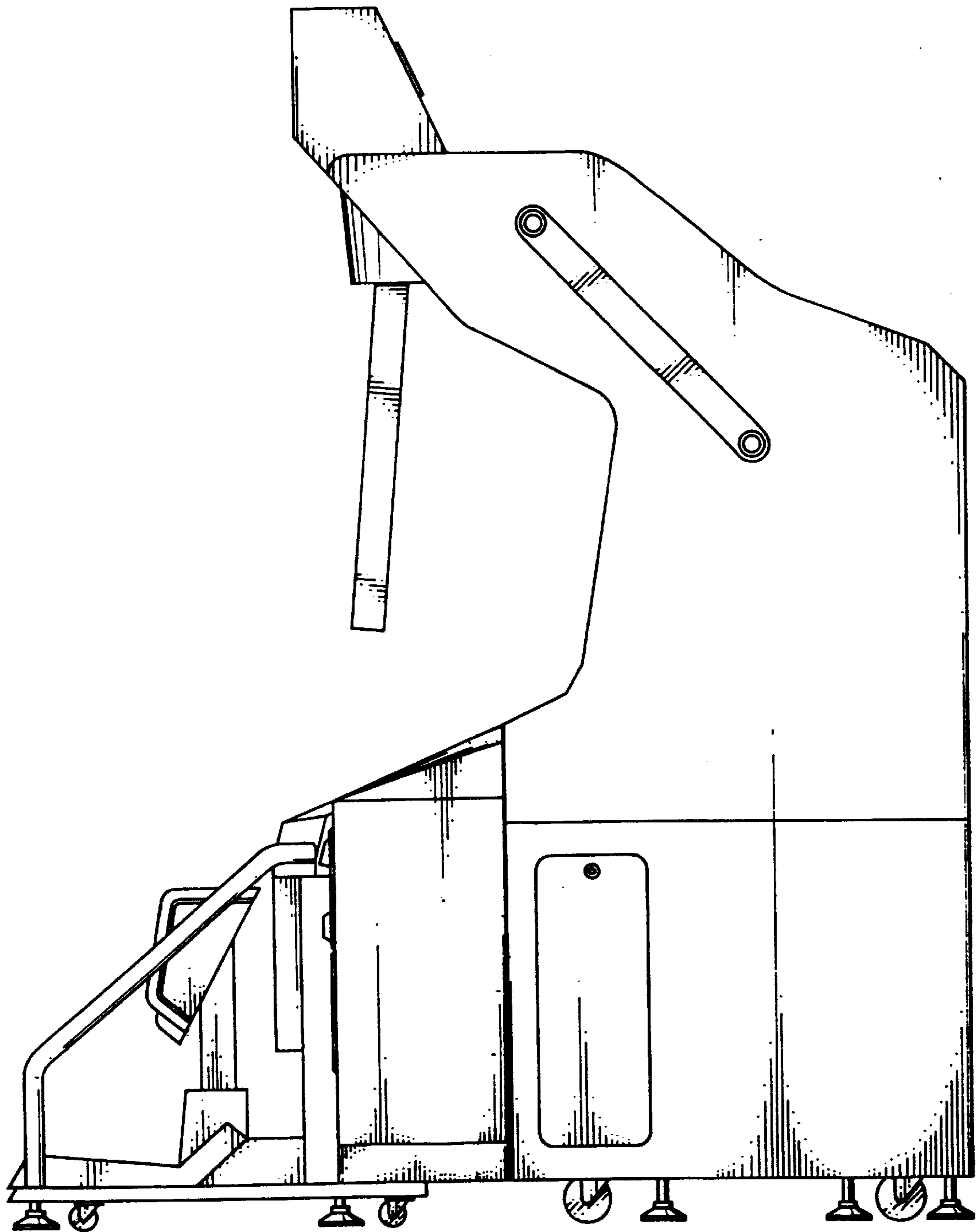


FIG. 6

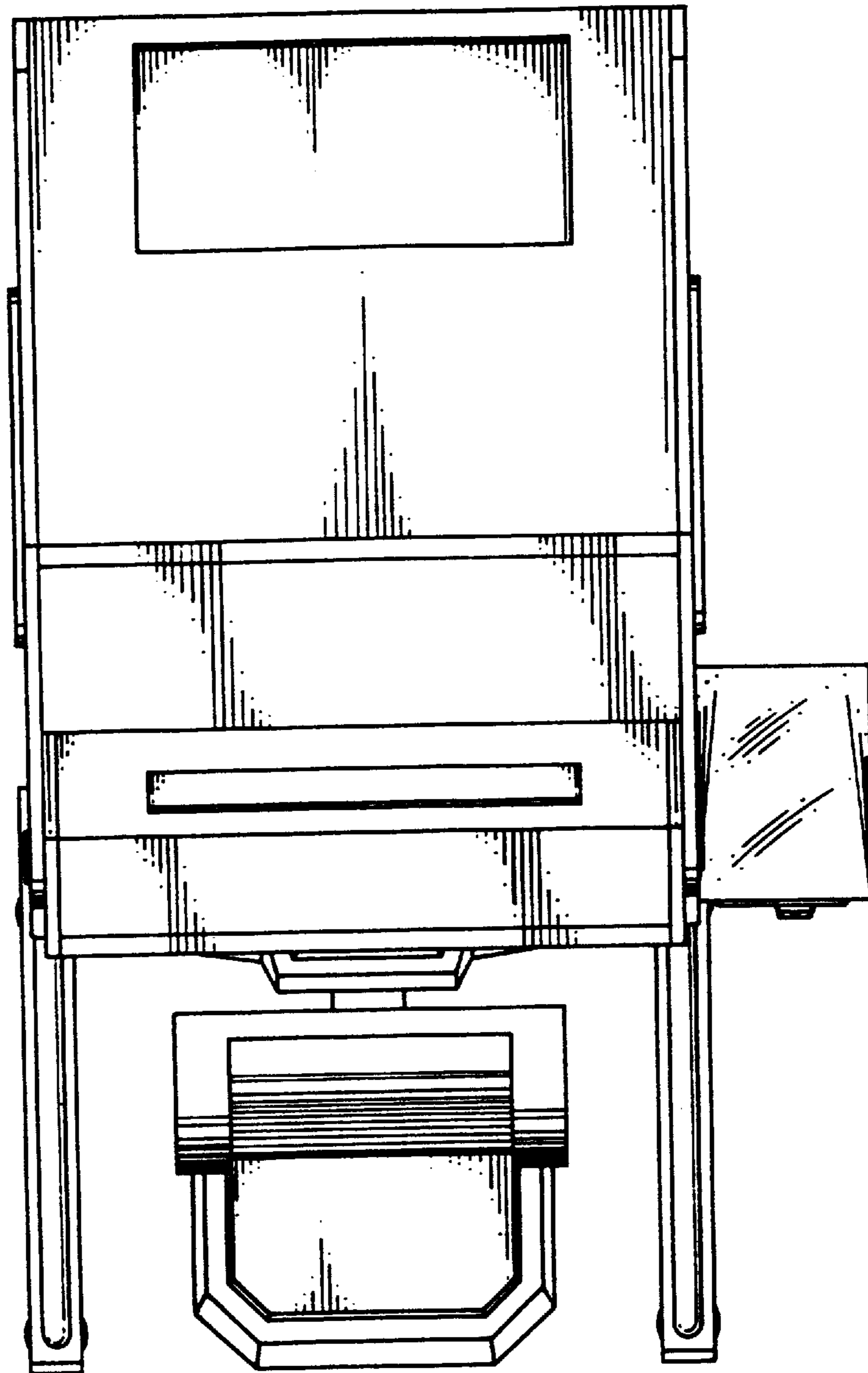


FIG. 7

