



US00D399880S

United States Patent [19] Riga

[11] **Patent Number: Des. 399,880**

[45] **Date of Patent: **Oct. 20, 1998**

[54] **CASKET DISPLAY**

[75] Inventor: **Dennis J. Riga**, New Albany, Ohio

[73] Assignee: **The York Group, Inc.**, Houston, Tex.

[**] Term: **14 Years**

[21] Appl. No.: **65,687**

[22] Filed: **Jan. 24, 1997**

[51] **LOC (6) Cl.** **20-02**

[52] **U.S. Cl.** **D20/29; D99/2; D20/42; D20/10**

[58] **Field of Search** **D20/10, 42, 19, D20/29; D99/1, 2, 3, 4, 5, 6, 7; 27/1, 2, 3, 4, 5, 6; 52/36.1**

[56] **References Cited**

U.S. PATENT DOCUMENTS

1,134,719	4/1915	Benzing	D99/1 X
3,676,905	7/1972	Mack	27/6
4,998,388	3/1991	Englehart	52/36.1
5,524,394	6/1996	Szabo, Sr. et al.	52/36.1

OTHER PUBLICATIONS

Casket, New York and Brooklyn Casket Co., p. 46, Oct. 1924.

Primary Examiner—Susan J. Lucas
Assistant Examiner—Jennifer Rivard

Attorney, Agent, or Firm—Lidell, Sapp, Zivley, Hill & Laboon L.L.P.

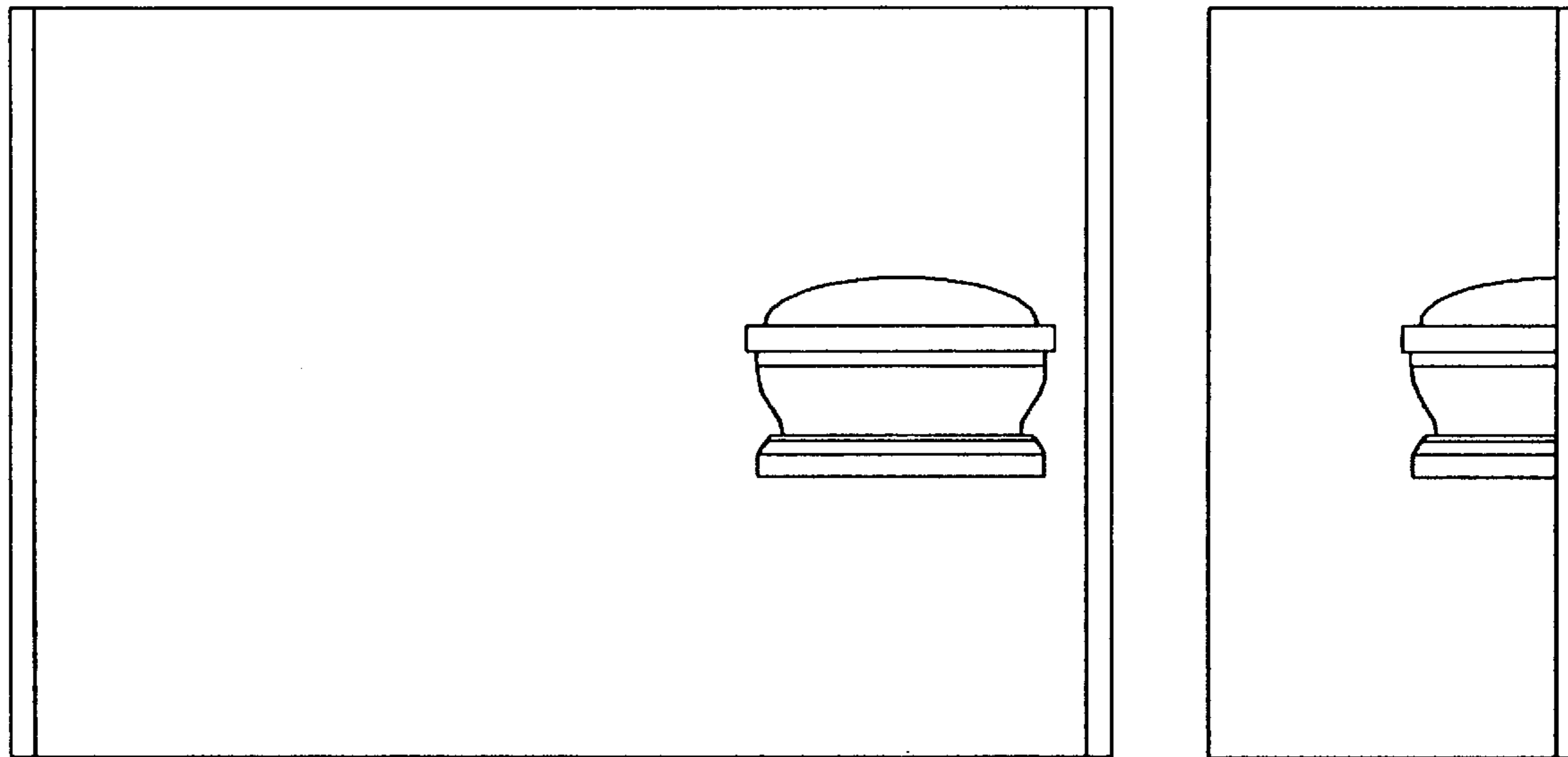
[57] **CLAIM**

The ornamental design for a casket display, as shown and described.

DESCRIPTION

FIG. 1 is a front view of a casket display;
 FIG. 2 is the right side thereof with the opposite side being a mirror image;
 FIG. 3 is a top view thereof;
 FIG. 4 is a front view of an alternative embodiment of a casket display;
 FIG. 5 is the right side thereof with the opposite side being a mirror image;
 FIG. 6 is a top view thereof;
 FIG. 7 is a front view of an alternative embodiment of a casket display;
 FIG. 8 is the right side thereof with the opposite side being a mirror image;
 FIG. 9 is a top view thereof;
 FIG. 10 is a front view of an alternative embodiment of a casket display;
 FIG. 11 is the right side thereof with the opposite side being a mirror image; and,
 FIG. 12 is a top view thereof.
 For convenience of illustration, the walls have been omitted in the side views of the disclosure.

1 Claim, 4 Drawing Sheets



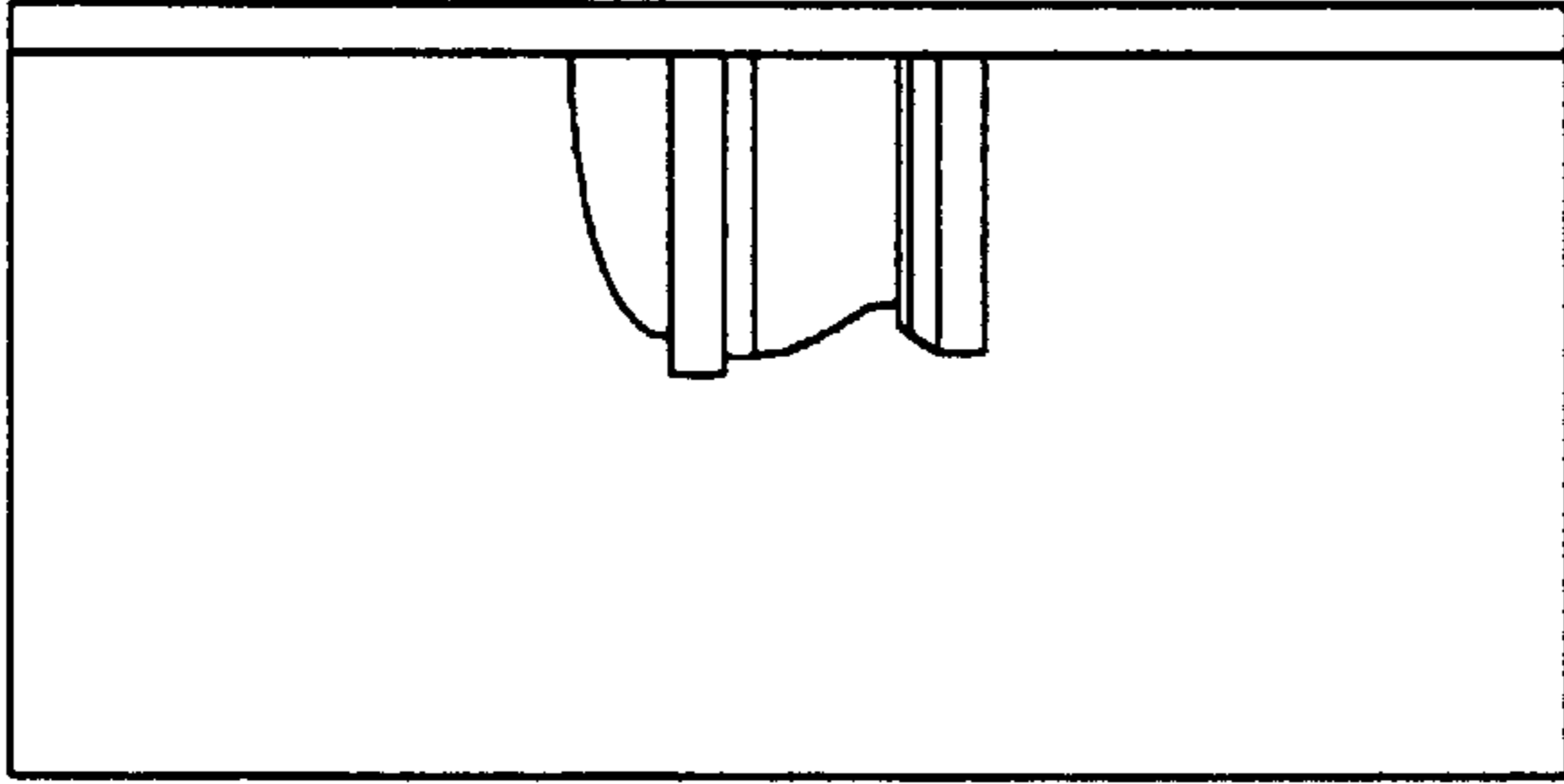


Fig. 2

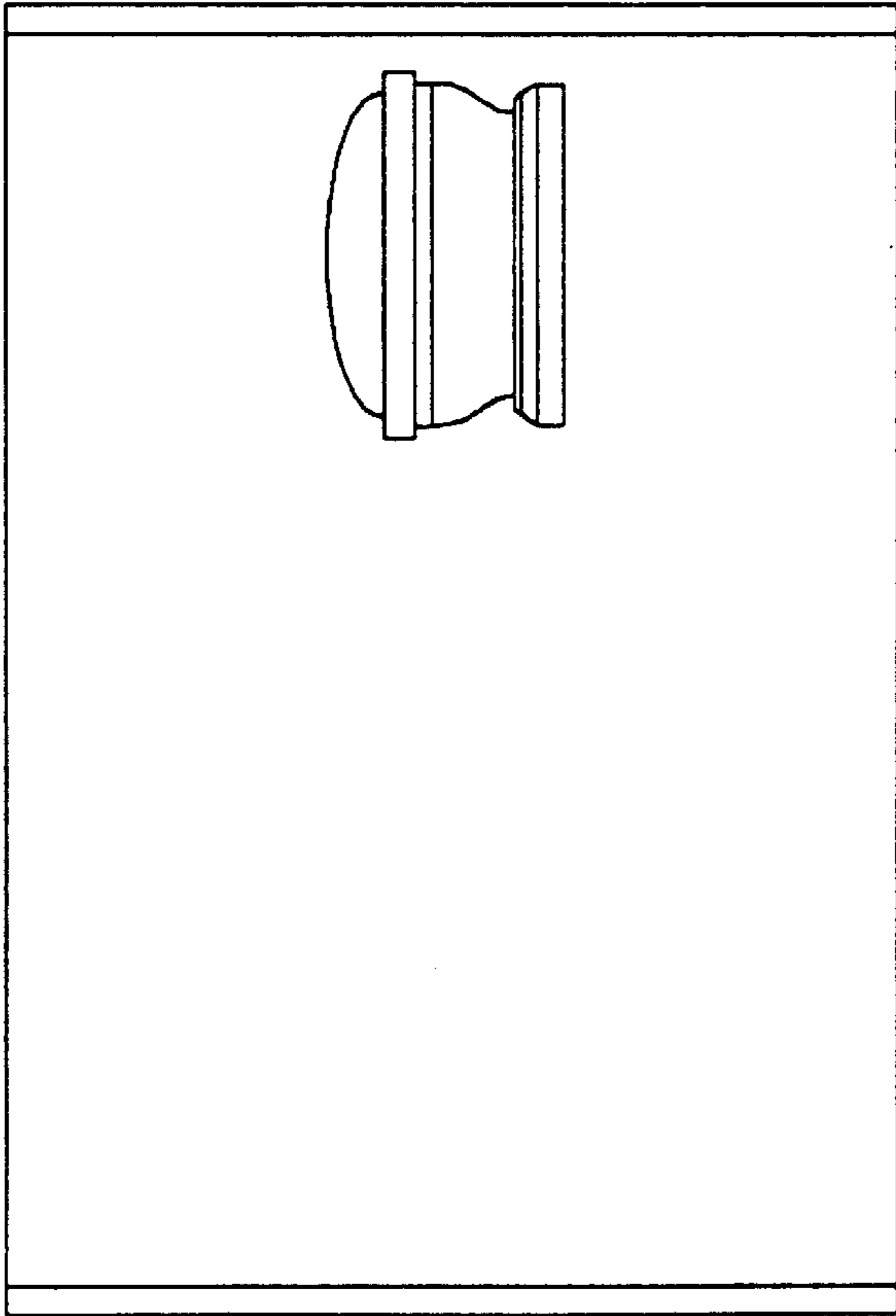


Fig. 1

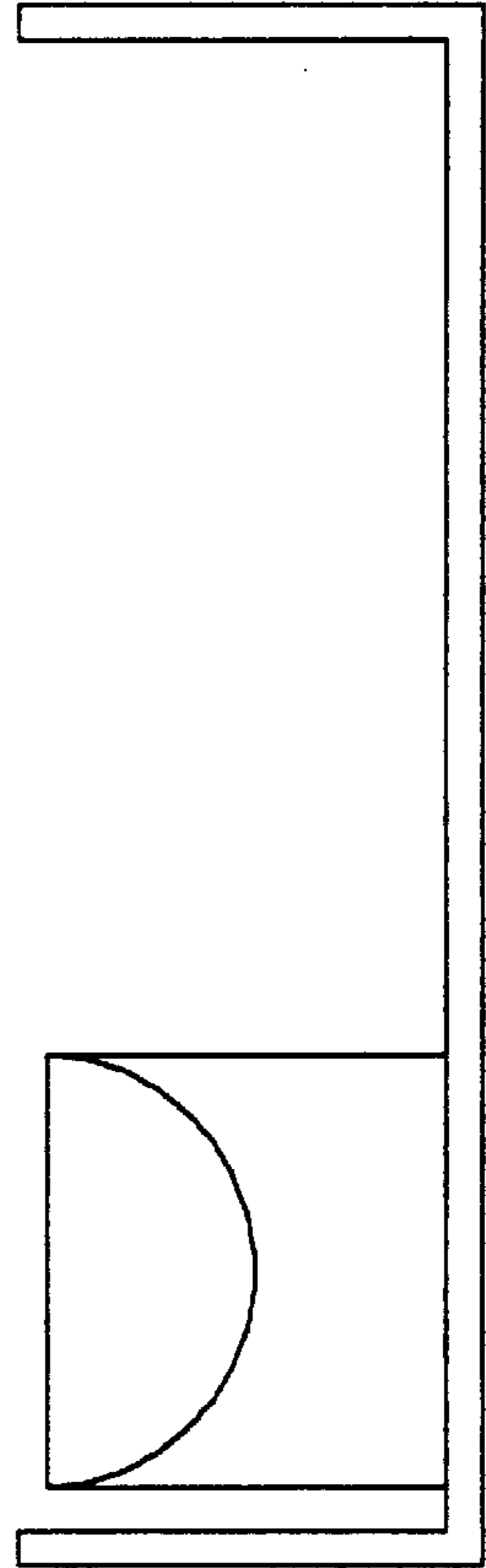


Fig. 3

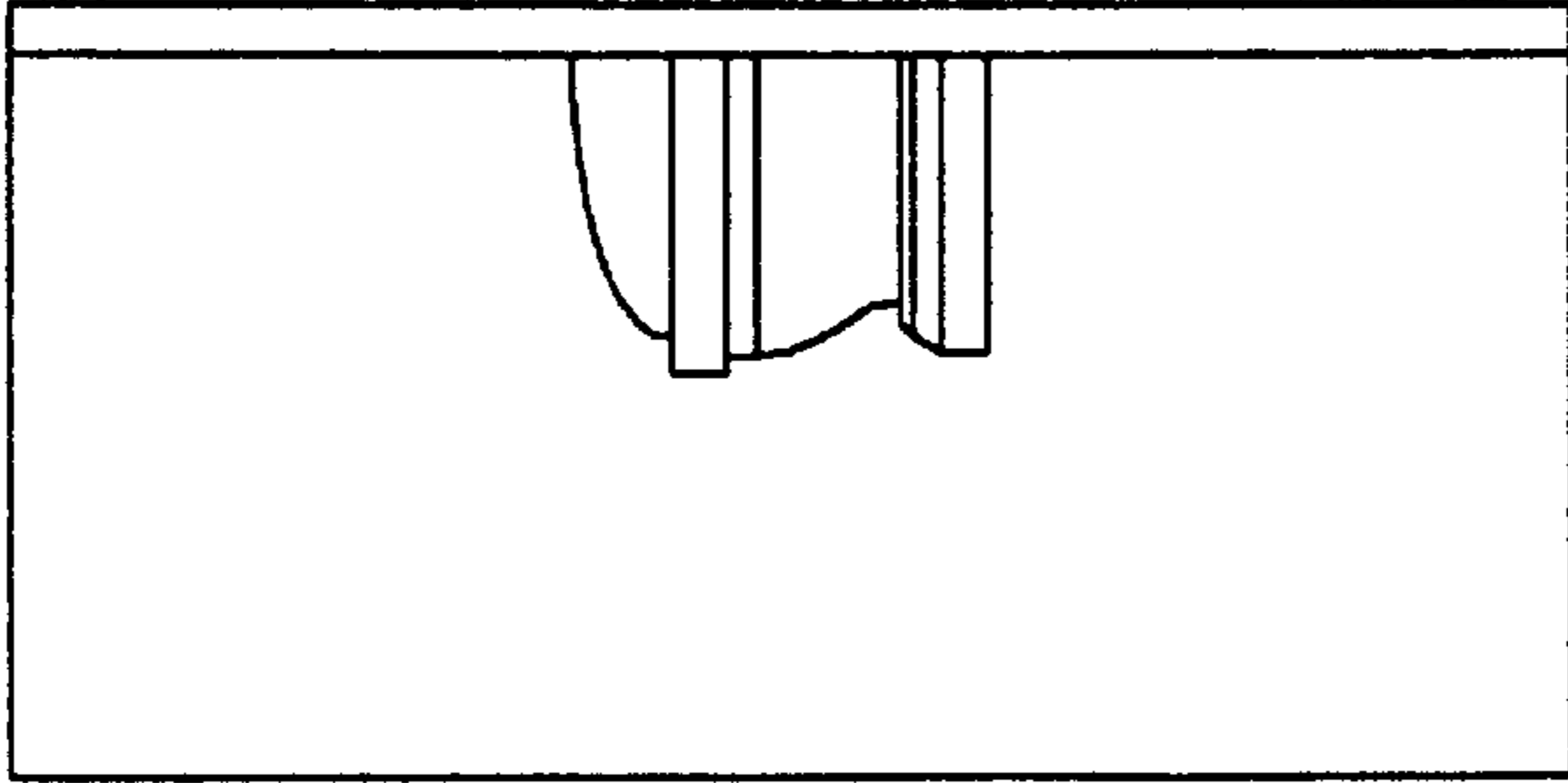


Fig. 5

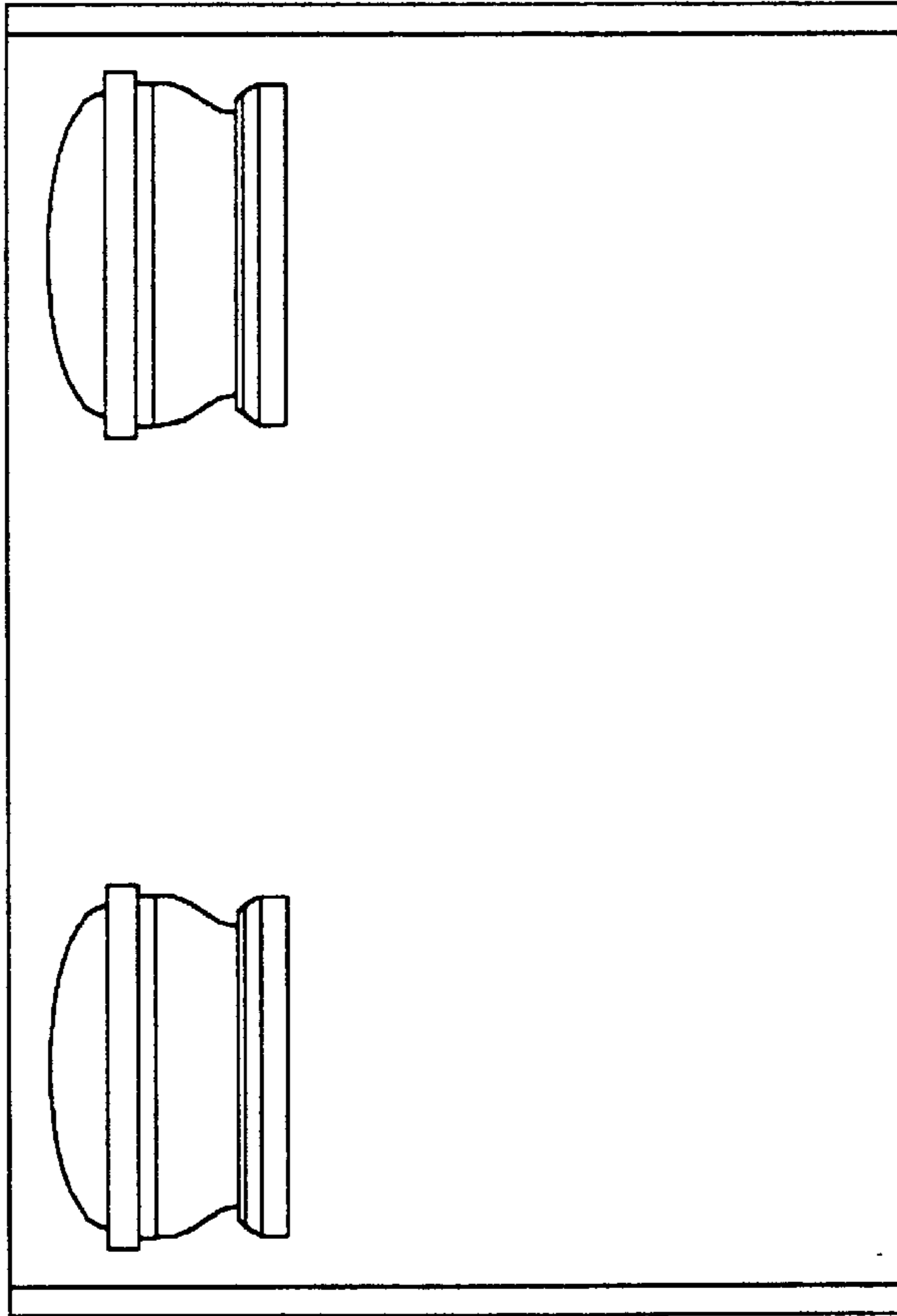


Fig. 4

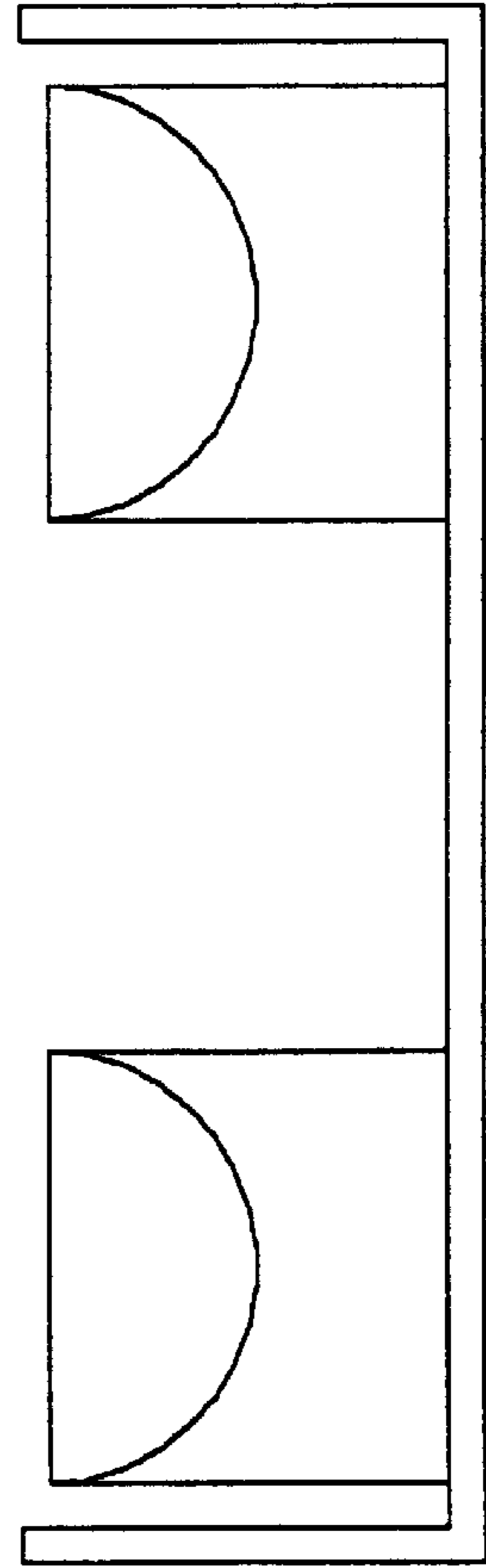


Fig. 6

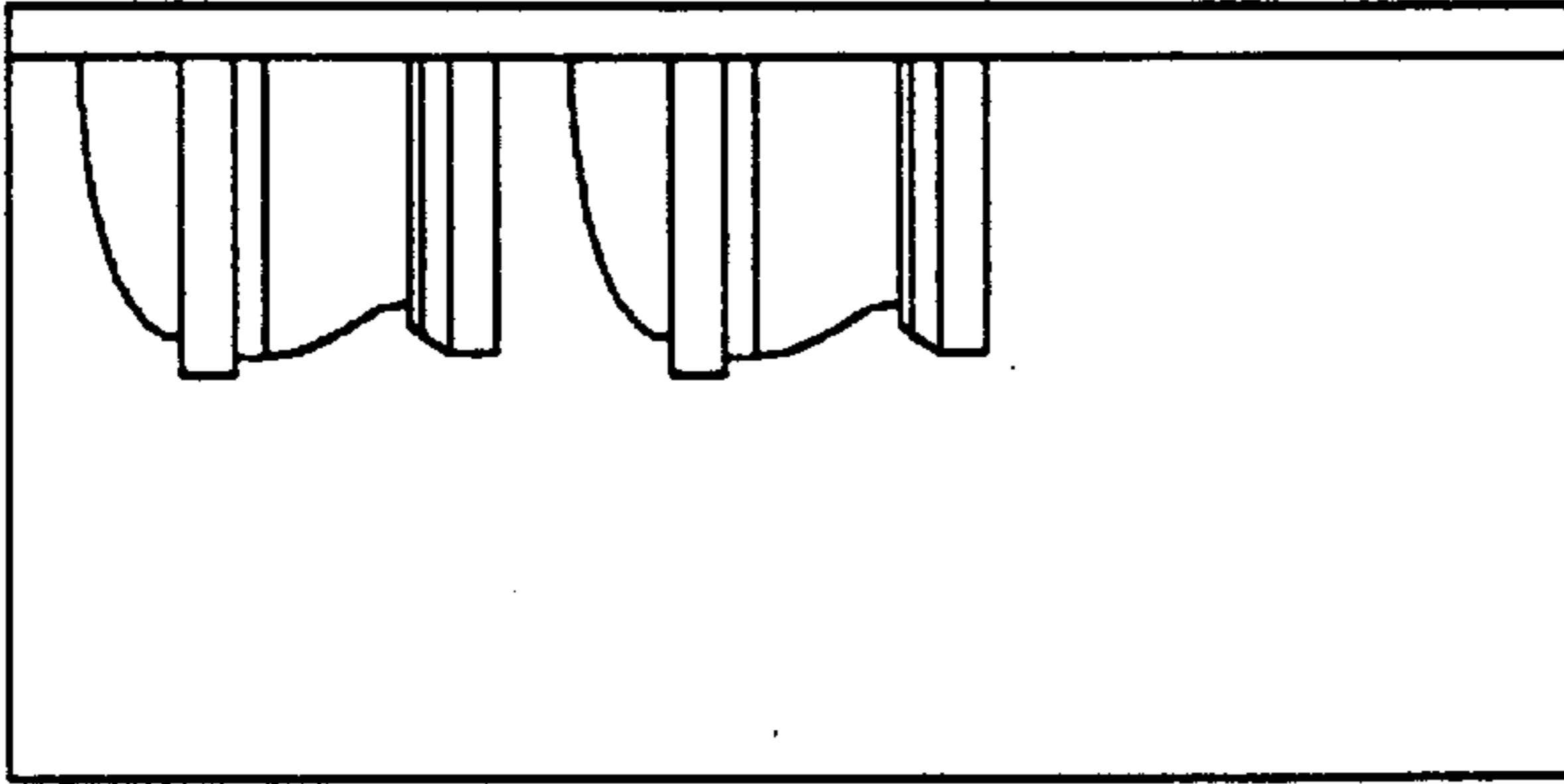


Fig. 8

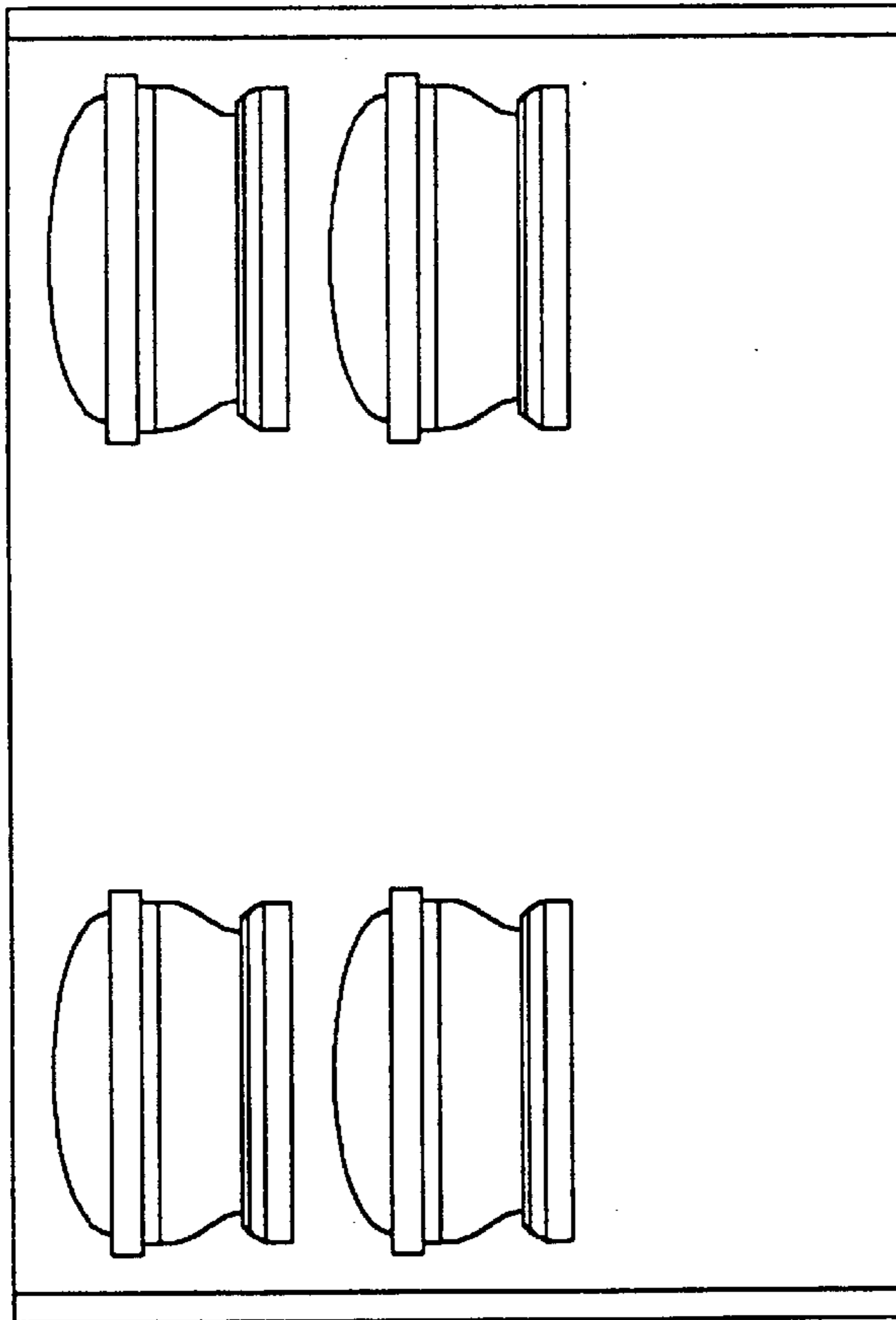


Fig. 7

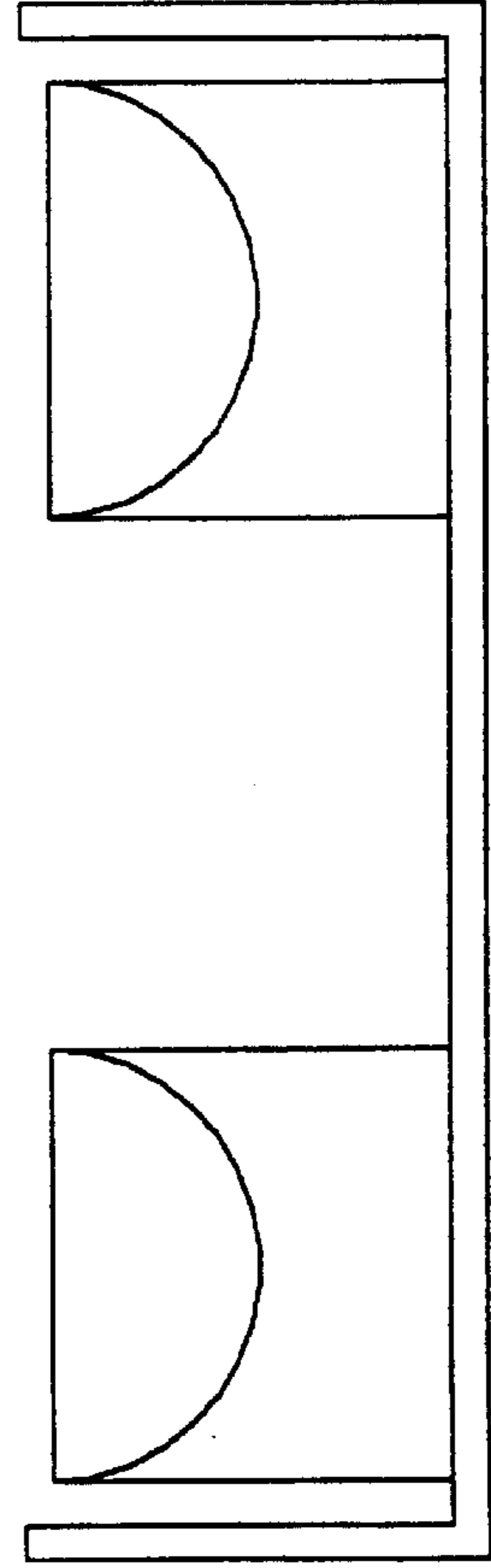


Fig. 9

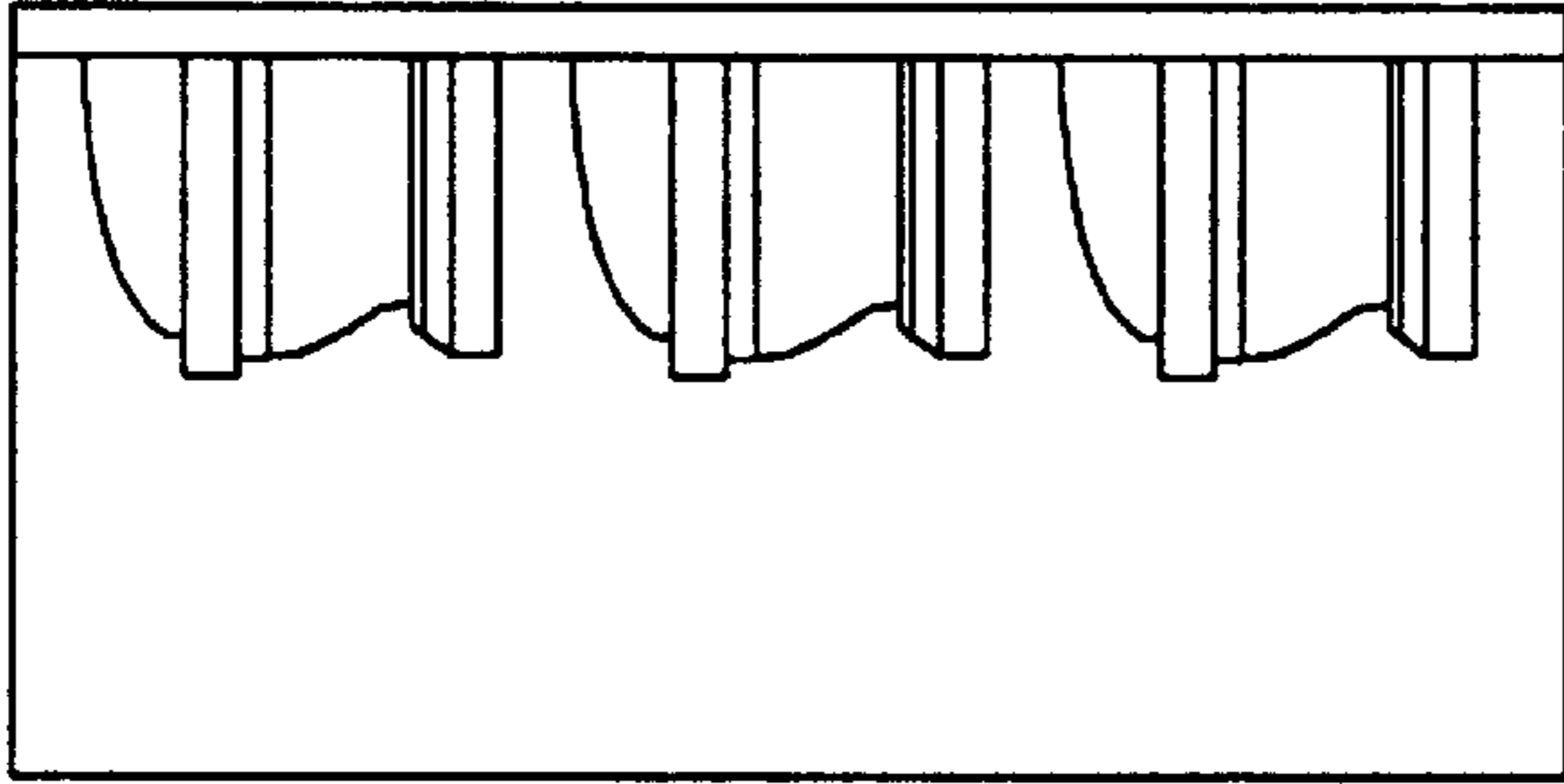


Fig. 11

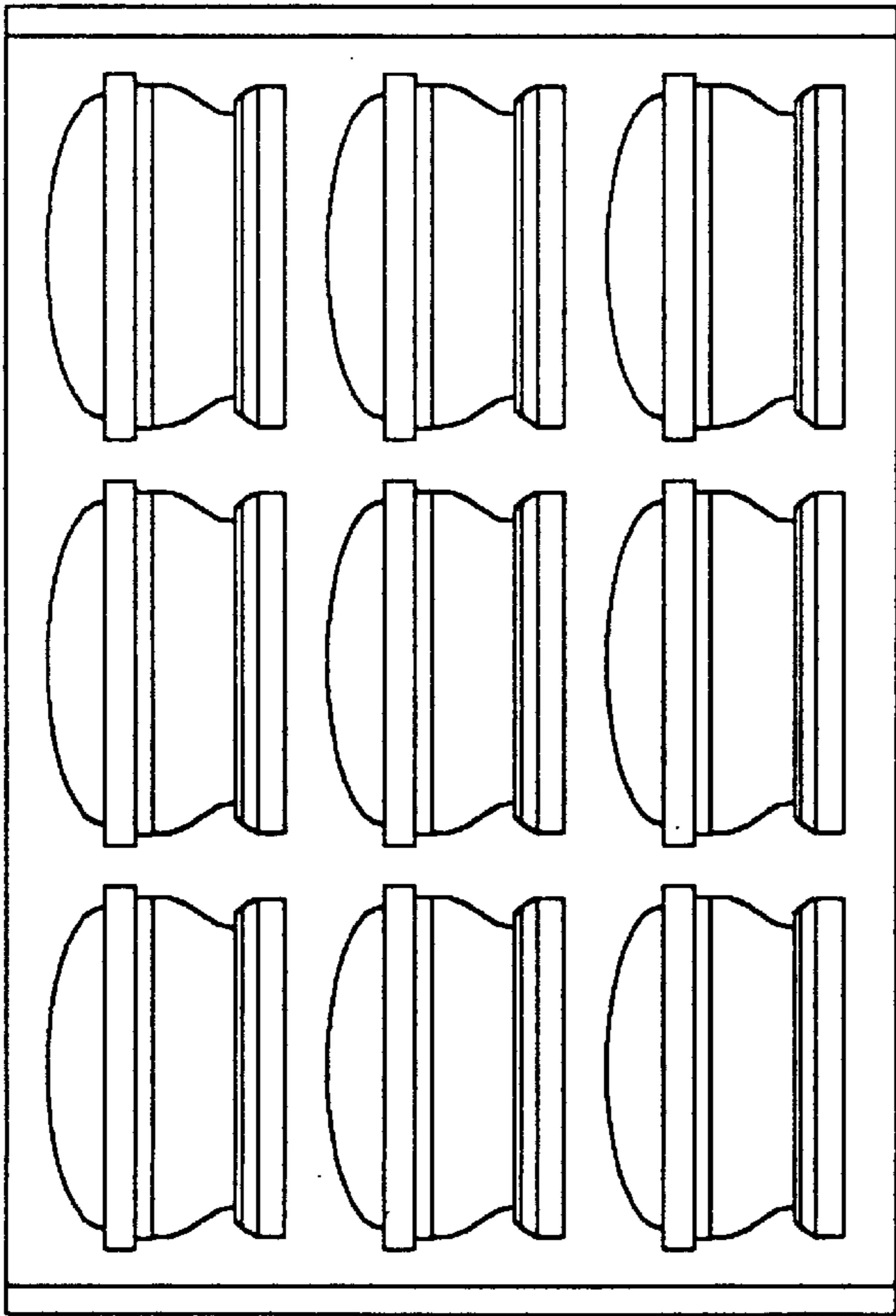


Fig. 10

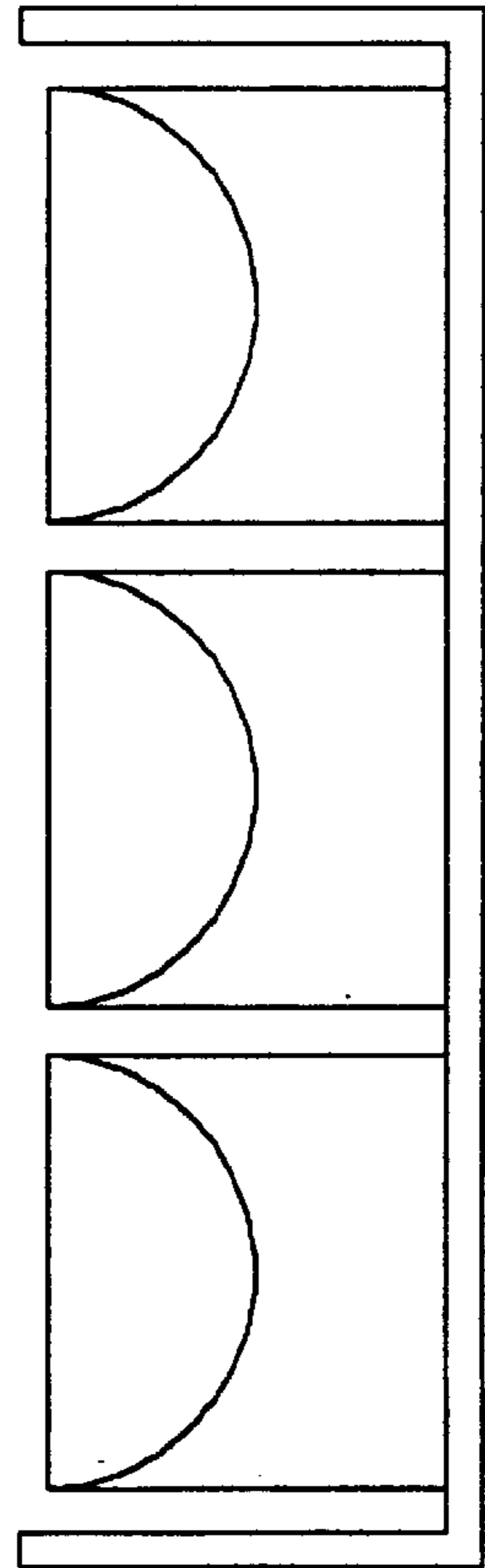


Fig. 12