



US00D399878S

United States Patent [19] Lin

[11] Patent Number: **Des. 399,878**

[45] Date of Patent: ****Oct. 20, 1998**

[54] **GUMBALL DISPENSING MACHINE**

[76] Inventor: **Irene An-Yun Lin**, P.O. Box 80393,
San Marino, Calif. 91118

[**] Term: **14 Years**

[21] Appl. No.: **76,911**

[22] Filed: **Sep. 24, 1997**

[51] **LOC (6) Cl.** **20-01**

[52] **U.S. Cl.** **D20/7**

[58] **Field of Search** D20/1-19; D6/461,
D6/470; 221/92, 128, 155, 196, 281, 284;
194/350

[56] **References Cited**

U.S. PATENT DOCUMENTS

D. 61,589	10/1922	Mabey	D20/7
D. 333,681	3/1993	Stern	D20/7
D. 370,694	6/1996	Kovens et al.	D20/7
D. 374,039	9/1996	Beene	D20/7
D. 387,385	12/1997	Kovens et al.	D20/7
777,414	12/1904	Heberling	.	
1,711,654	5/1929	Redlinger	.	
1,725,965	8/1929	Ormiston	.	
2,193,211	3/1940	Taylor	.	
2,606,088	8/1952	Leaf	.	
2,614,673	10/1952	Obodzinski	.	
2,759,632	8/1956	Ussery	.	
2,772,811	12/1956	Schaeff	.	
2,843,985	7/1958	Ritzenberg	.	
2,880,906	4/1959	Probasco	.	
3,018,148	1/1962	Probasco	.	
3,036,732	5/1962	Schaeff	.	
3,077,254	2/1963	Goldfarb	.	

3,081,908	3/1963	Siegfried	.	
3,375,912	4/1968	Weitzman	.	
3,785,525	1/1974	Handeland	221/265
3,825,265	7/1974	Pitkanen et al.	273/126 R
3,831,574	8/1974	Strand	.	
4,560,086	12/1985	Stol	221/24
4,667,848	5/1987	Gold	221/155
5,004,122	4/1991	Poynter	221/155
5,261,564	11/1993	Yelvington	221/113
5,452,822	9/1995	Haymond	221/155

FOREIGN PATENT DOCUMENTS

1222491	4/1986	Russian Federation	221/265
---------	--------	--------------------	-------	---------

OTHER PUBLICATIONS

A&A Co./Parkway Machine Corp. Gumball Wizard Brochure, 1994.

A&A Co./Parkway Machine Corp. The Zipper Gumball Dispenser, p. 14, Dec. 1995.

Primary Examiner—Sandra L. Morris

[57] **CLAIM**

The ornamental design for a gumball dispensing machine, as shown and described.

DESCRIPTION

FIG. 1 is a plan view of a gumball dispensing machine, showing the new design;
FIG. 2 is a front view thereof;
FIG. 3 is a right side elevational view thereof, the other side being a mirror image thereof;
FIG. 4 is a back view thereof; and,
FIG. 5 is a top view thereof.

1 Claim, 5 Drawing Sheets

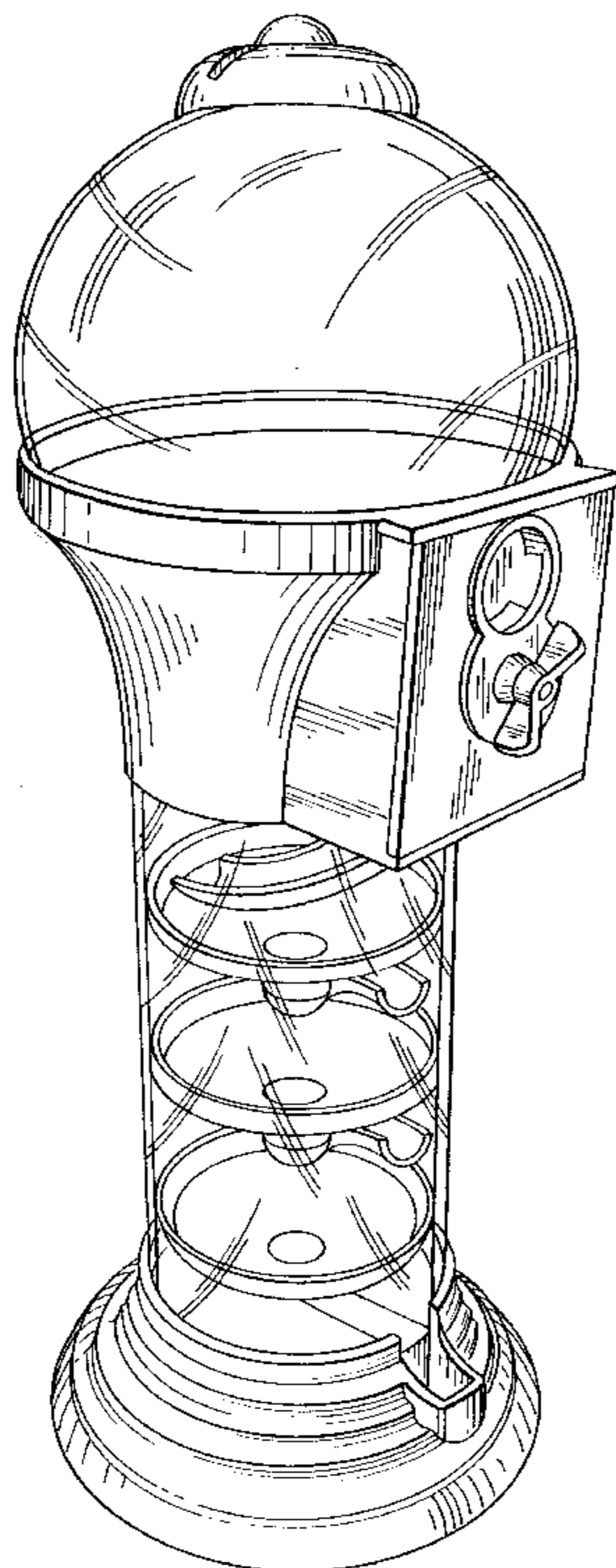


FIG. 1

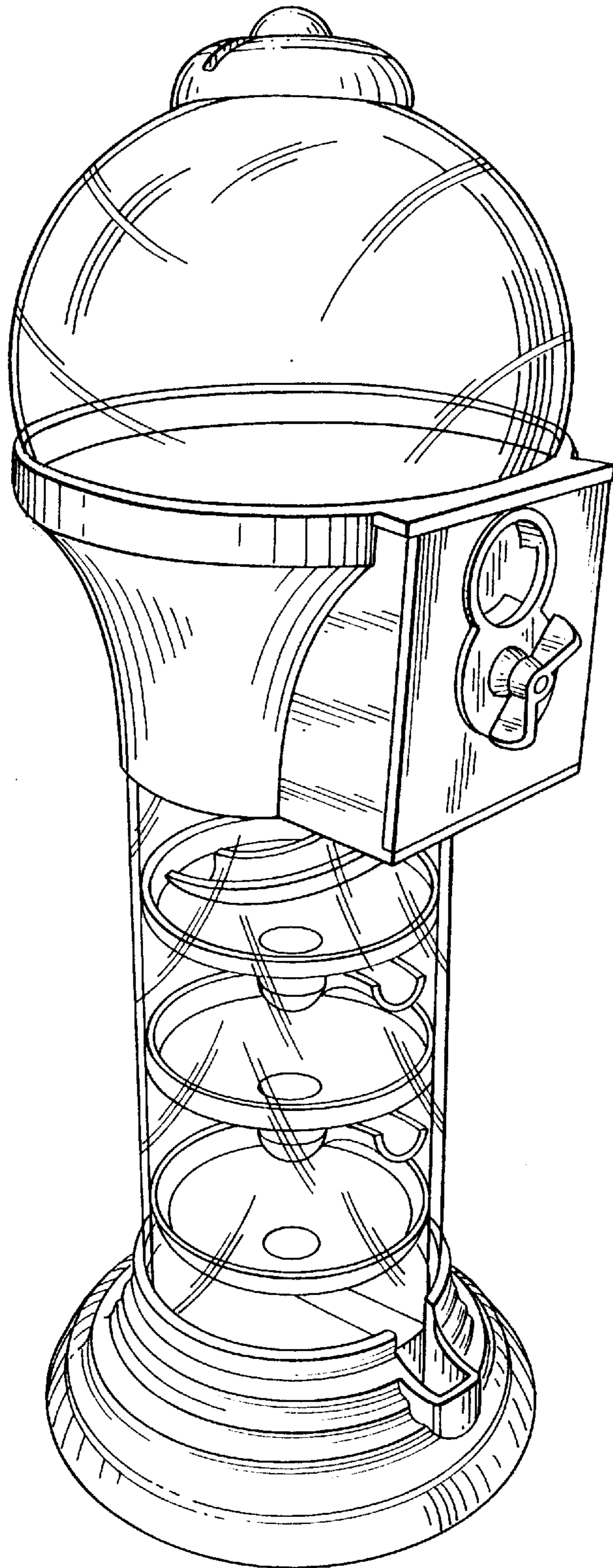


FIG. 2

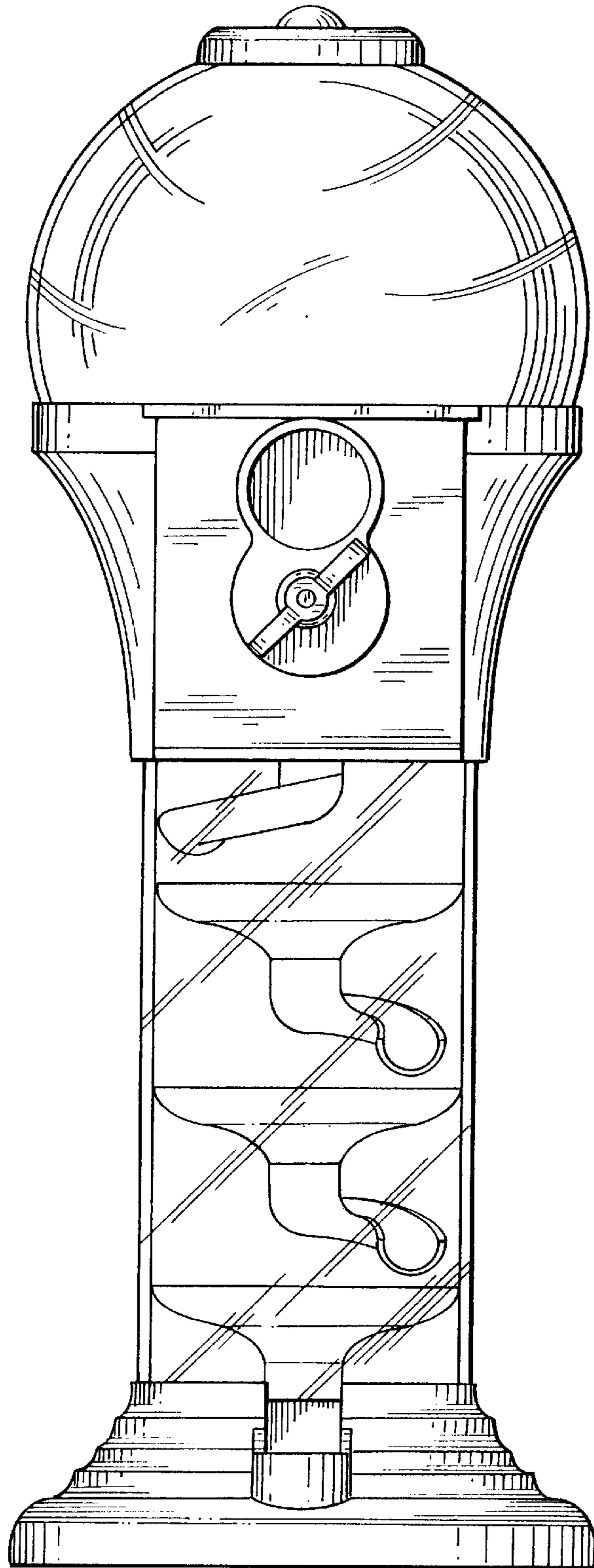


FIG. 3

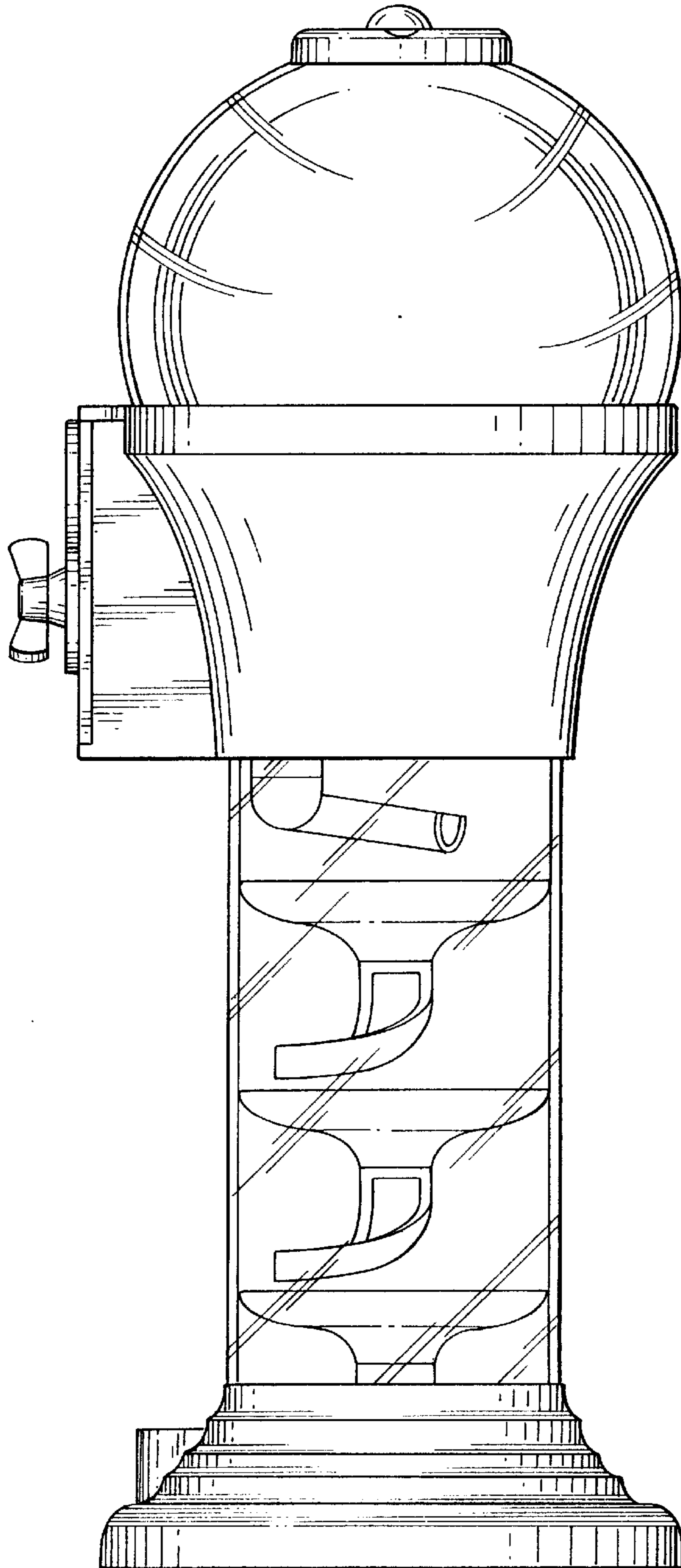
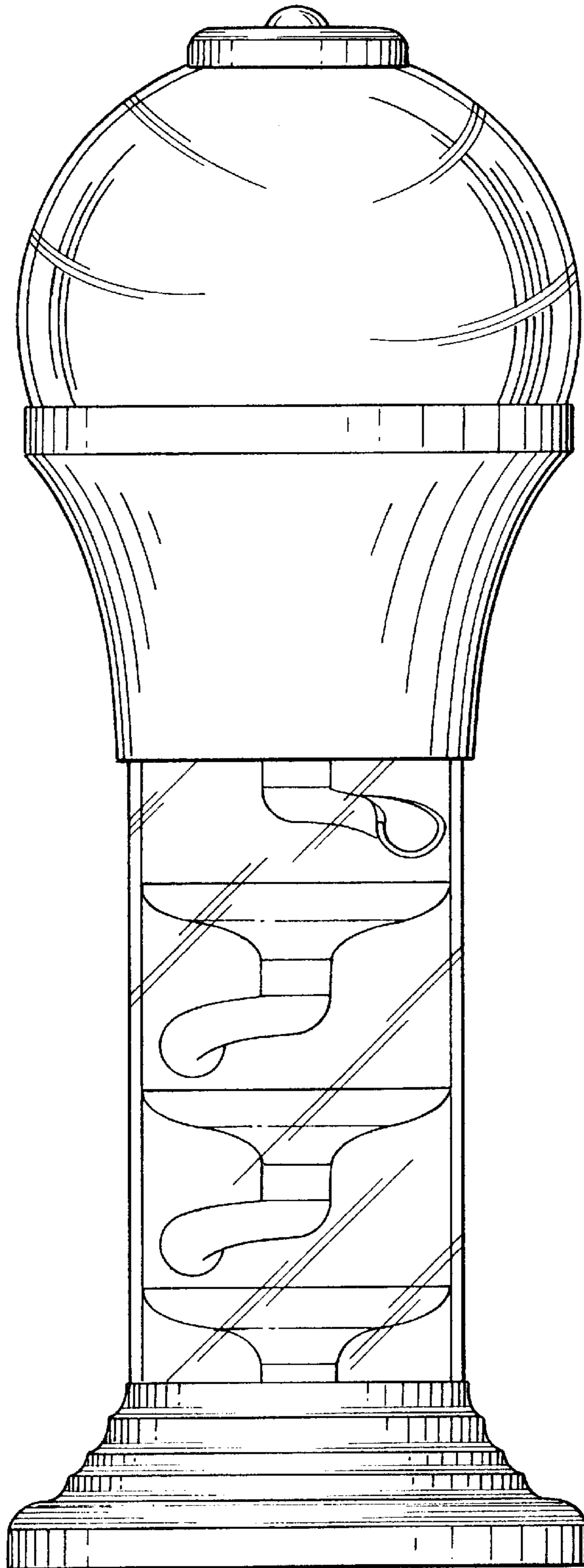


FIG. 4



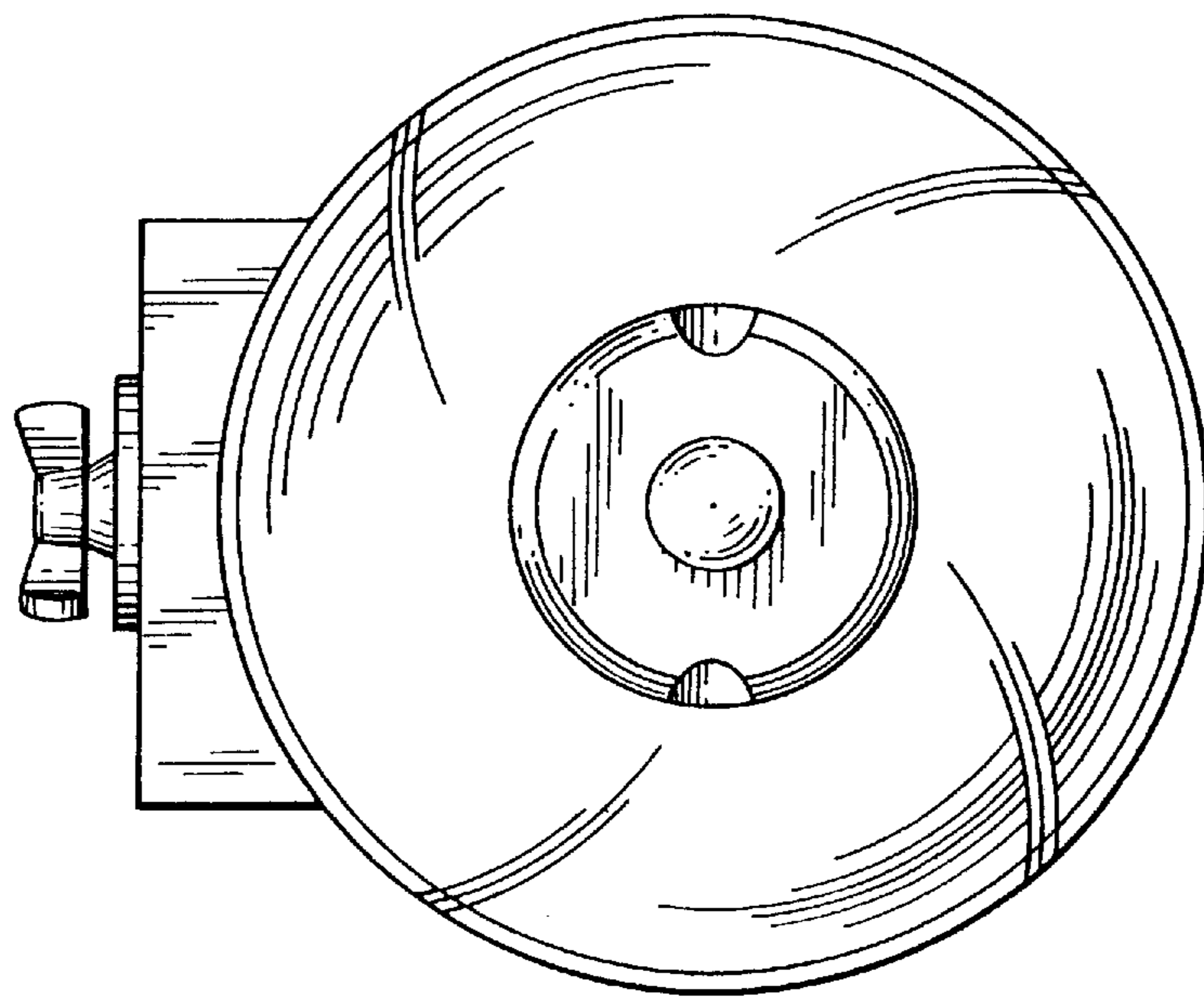


FIG. 5