



US00D399877S

United States Patent [19]

Cheris et al.

[11] **Patent Number: Des. 399,877**

[45] **Date of Patent: ***Oct. 20, 1998**

[54] **MEMO HOLDER**

[75] Inventors: **Albert B. Cheris**, Highland Park;
Mark Dzierisk, Chicago, both of Ill.

[73] Assignee: **Tenex Corporation**, Elk Grove Village, Ill.

[*] Notice: The term of this patent shall not extend beyond the expiration date of Pat. No. Des. 390,876.

[**] Term: **14 Years**

[21] Appl. No.: **75,951**

[22] Filed: **Aug. 29, 1997**

[51] **LOC (6) Cl.** **19-02**

[52] **U.S. Cl.** **D19/92; D19/86; D19/95**

[58] **Field of Search** D19/65, 75, 78,
D19/86, 91, 92, 95, 99, 100; 206/215, 555;
211/10, 11, 13, 50, 55, 126

[56] **References Cited**

U.S. PATENT DOCUMENTS

D. 274,066 5/1984 Evenson D19/92

D. 274,067 5/1984 Evenson D19/92
D. 323,677 2/1992 Evenson D19/92
D. 327,295 6/1992 Szablak et al. D19/86 X
D. 327,503 6/1992 Szablak et al. D19/92
4,768,298 9/1988 Polhemus et al. 40/358
5,641,074 6/1997 Smed 211/11

Primary Examiner—Martie K. Thompson
Attorney, Agent, or Firm—Lockwood, Alex, FitzGibbon & Cummings

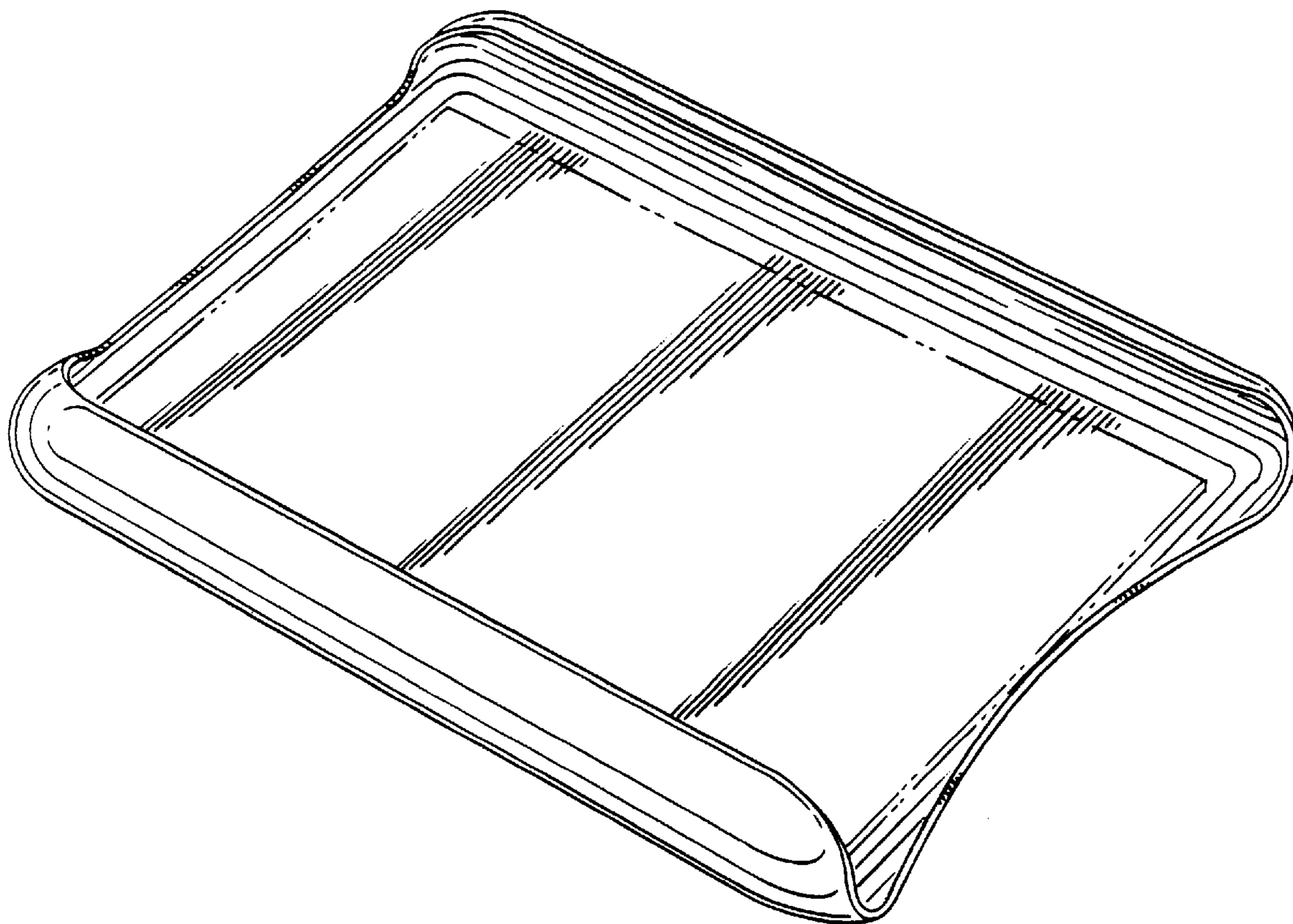
[57] **CLAIM**

The ornamental design for a memo holder, as shown and described.

DESCRIPTION

FIG. 1 is a perspective view of a memo holder showing our new design, the memo sheet depicted by means of broken lines being for illustrative purposes only and forming no part of the claimed design;
FIG. 2 is a top plan view thereof;
FIG. 3 is a front elevational view thereof;
FIG. 4 is a rear elevational view thereof;
FIG. 5 is an elevational view of one side thereof, the opposite side being a mirror image thereof; and,
FIG. 6 is a bottom plan view thereof.

1 Claim, 2 Drawing Sheets



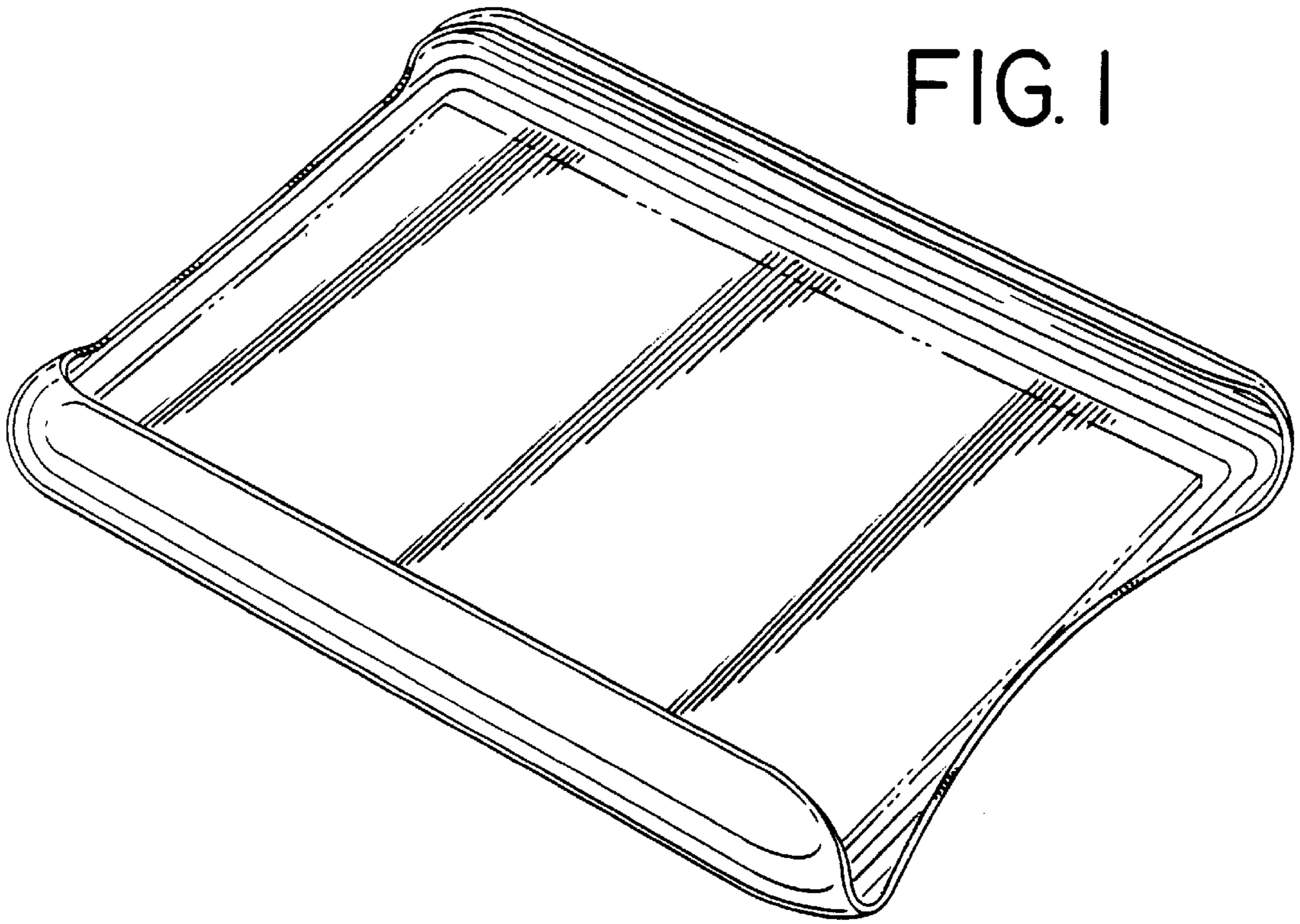


FIG. 1

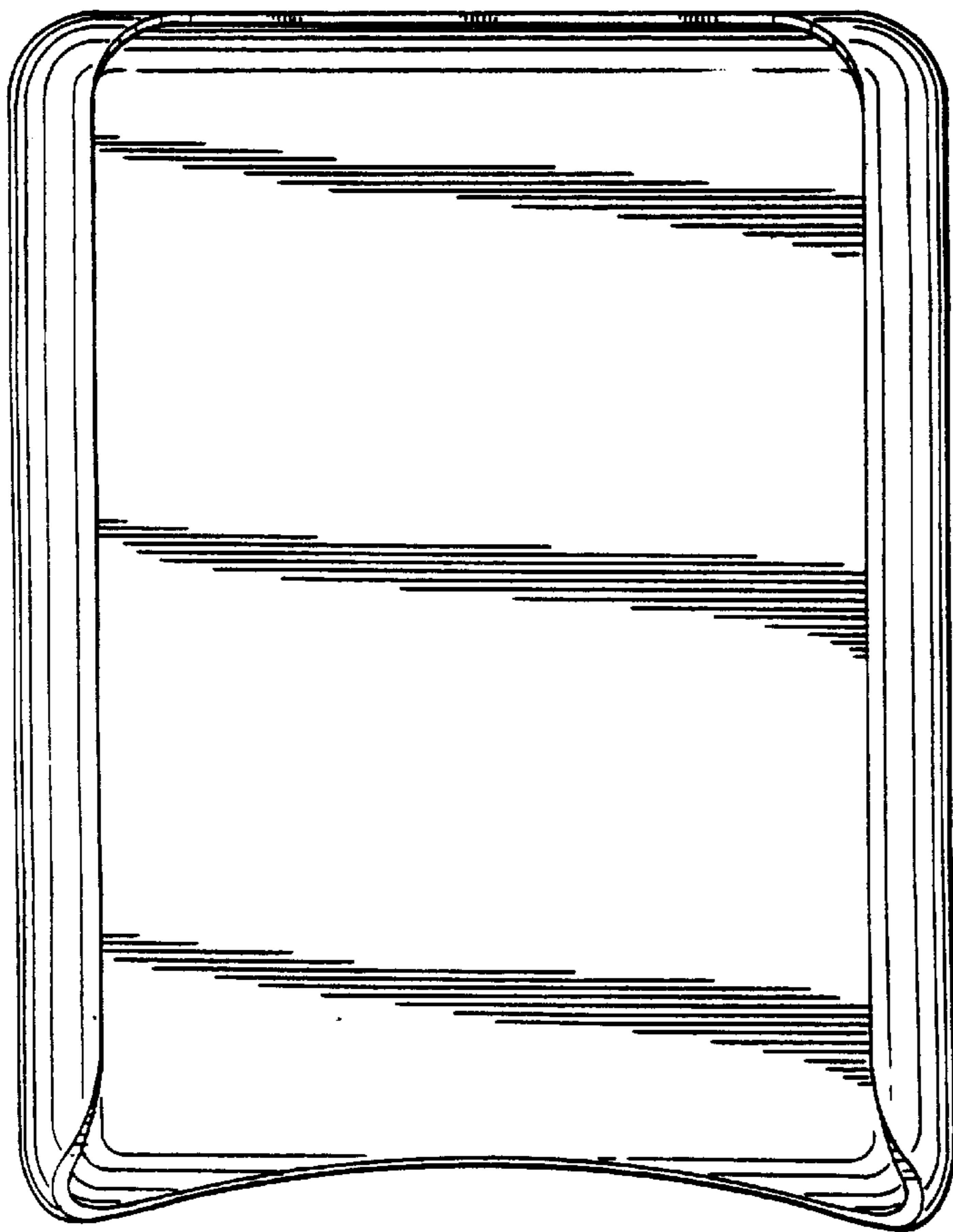


FIG. 2

FIG. 3

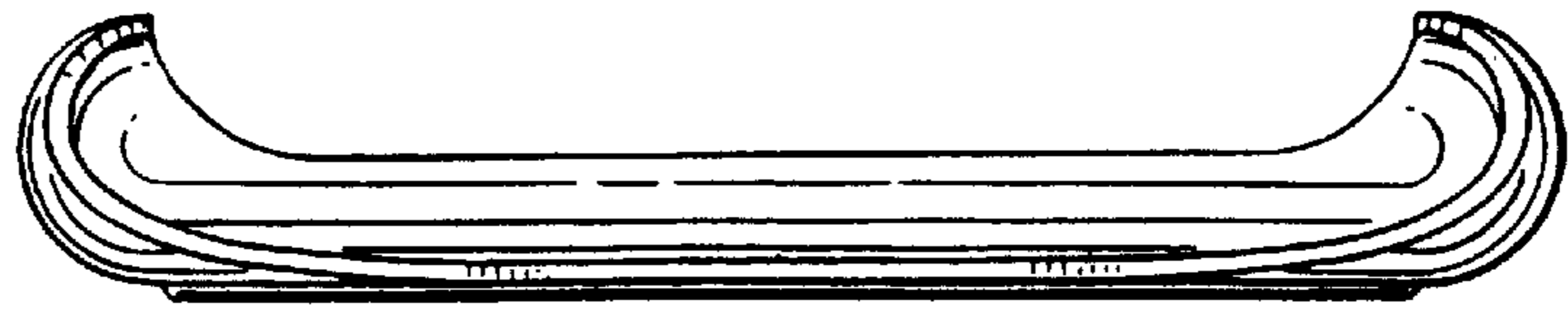


FIG. 4

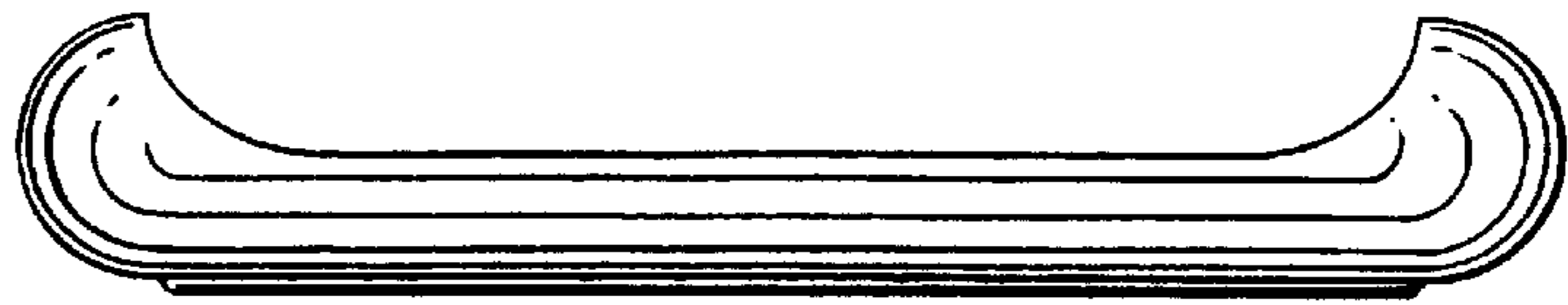


FIG. 5

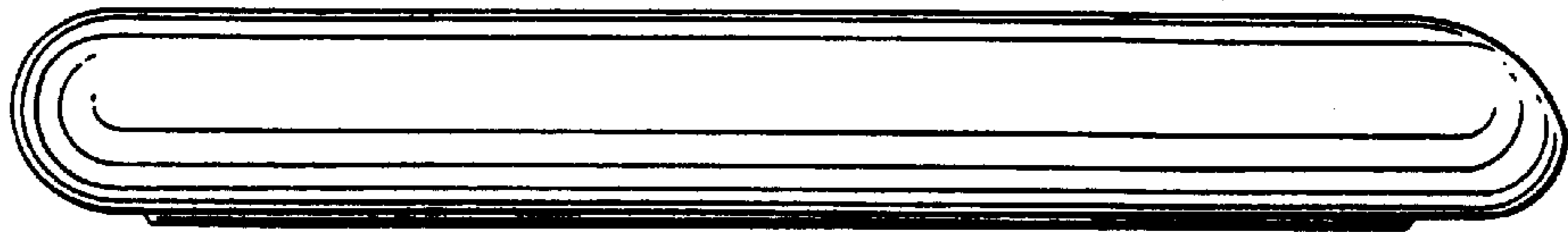


FIG. 6

