



US00D399876S

United States Patent [19]
Westman

[11] **Patent Number: Des. 399,876**

[45] **Date of Patent: **Oct. 20, 1998**

[54] **BOOK-SUPPORT**

[76] Inventor: **Rikki Westman**, Valborgsmässövägen
3, S-126 37 Hägersten, Sweden

[**] Term: **14 Years**

[21] Appl. No.: **68,149**

[22] Filed: **Feb. 20, 1997**

[30] **Foreign Application Priority Data**

Sep. 2, 1996 [SE] Sweden 96-1814

[51] **LOC (6) Cl.** **06-06**

[52] **U.S. Cl.** **D19/91; D19/90; D19/88;**
D19/34.1

[58] **Field of Search** D19/34.1, 34.5,
D19/65, 75, 88, 90, 91, 99, 100; 211/42,
43, 2, 45, 184, 11, 13; 248/441.1, 451,
452, 453; D21/114

[56] **References Cited**

U.S. PATENT DOCUMENTS

D. 112,470 12/1938 Steinhardt D21/114

202,959	4/1878	Pearson	211/43
1,912,229	5/1933	Spurr	211/42
2,117,668	5/1938	Johnson	248/453
2,767,856	10/1956	Grant	211/42
5,016,763	5/1991	Martin	211/184
5,036,988	8/1991	Rouire	211/42

Primary Examiner—Martie Thompson
Attorney, Agent, or Firm—Burns, Doane, Swecker &
Mathis, L.L.P.

[57] **CLAIM**

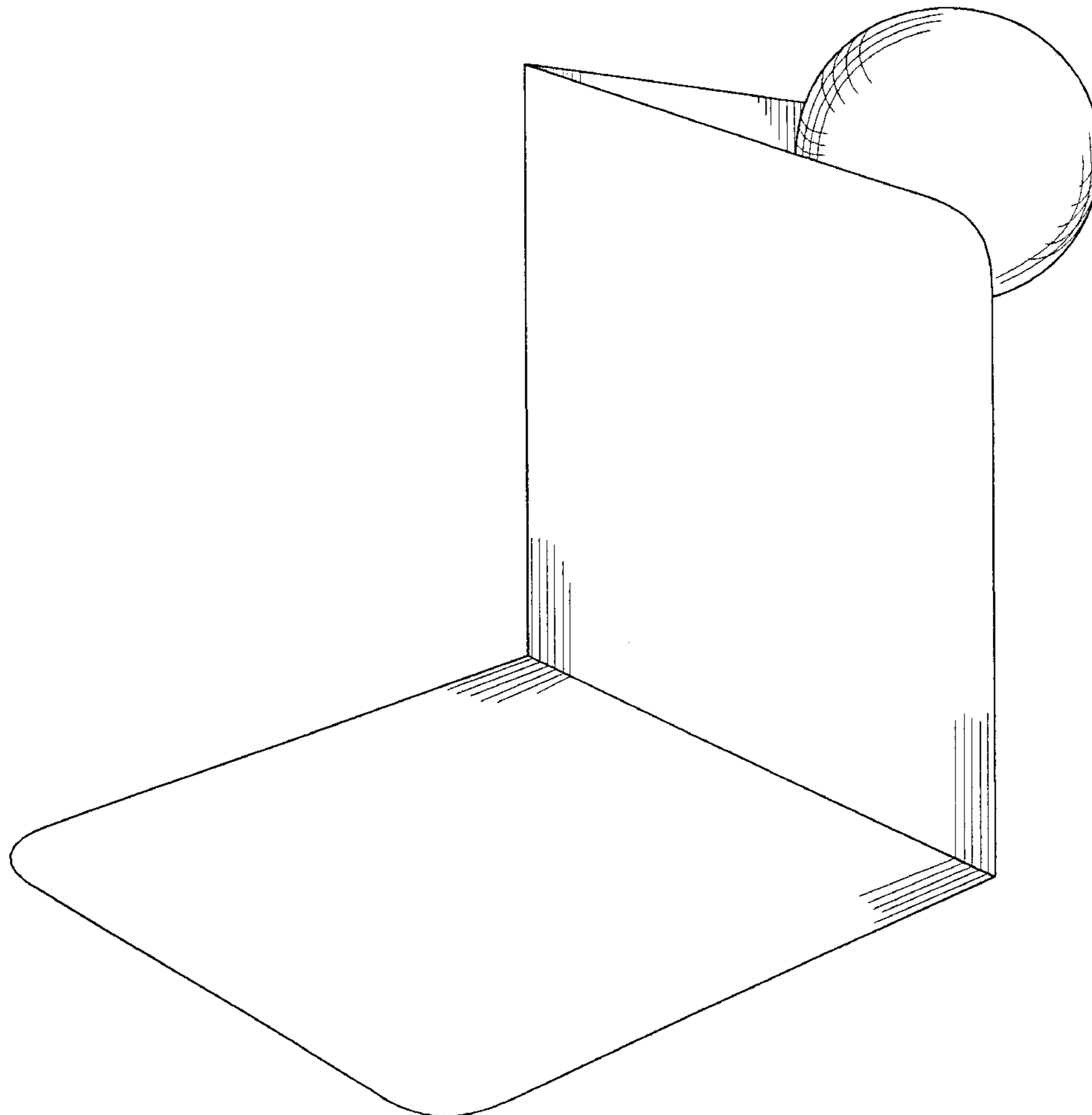
The ornamental design for a book-support, as shown and described.

DESCRIPTION

FIG. 1 is a front perspective view of a book-support; and, FIG. 2 is a rear perspective view thereof.

The bottom of the article is plain and unornamented.

1 Claim, 2 Drawing Sheets



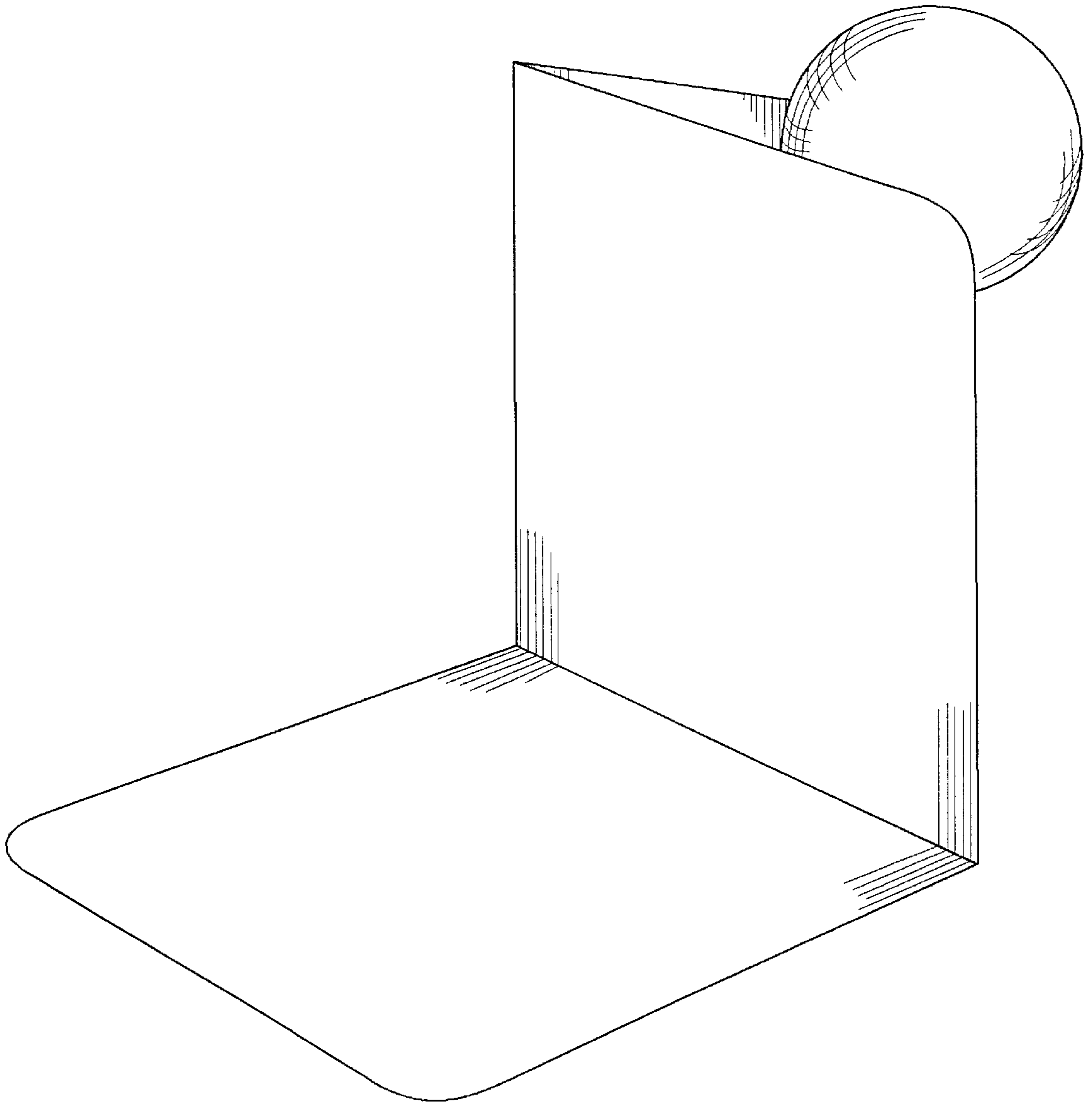


FIG. 1

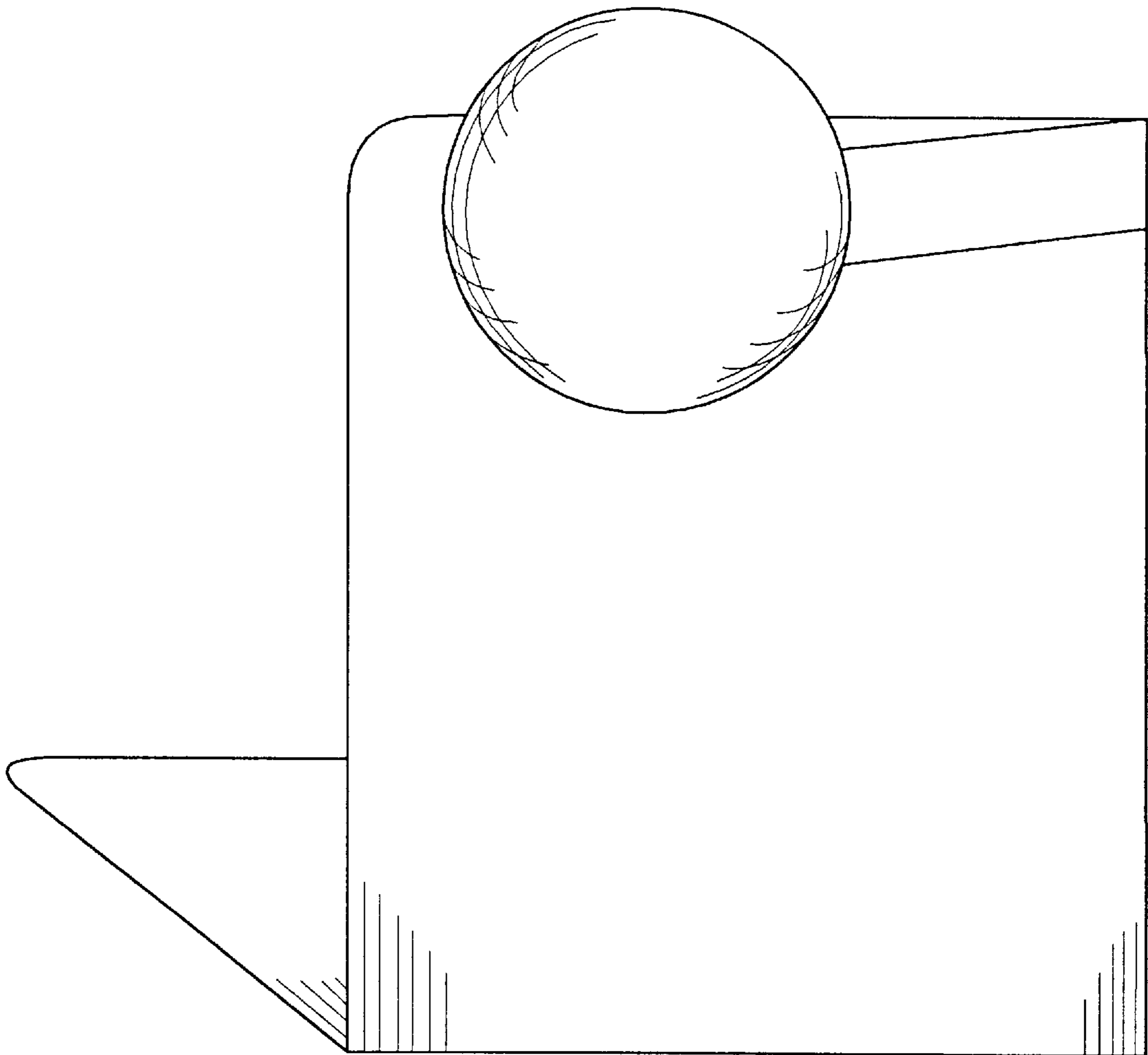


FIG. 2