



US00D399873S

United States Patent [19]
Yang

[11] **Patent Number: Des. 399,873**

[45] **Date of Patent: **Oct. 20, 1998**

[54] **PEN**

[76] **Inventor: Chin-Chen Yang**, No. 3 Alley 7, Lane 228, San Ming Rd., Lu Chou Hsiang, Taipei Hsien, Taiwan

[**] **Term: 14 Years**

[21] **Appl. No.: 83,760**

[22] **Filed: Feb. 18, 1998**

[51] **LOC (6) Cl. 19-06**

[52] **U.S. Cl. D19/42; D11/129; D19/46; D19/51; D19/36; D21/179**

[58] **Field of Search D11/129; D21/179; D19/35, 36, 41, 42, 43-51, 53-58, 81-85; 401/6, 7, 88, 52, 195, 99, 100, 209, 29-35**

[56] **References Cited**

U.S. PATENT DOCUMENTS

- D. 138,948 9/1944 Aszady D21/179 X
- D. 191,748 11/1961 Gale D21/179
- D. 222,305 10/1971 Feuer D19/42

- D. 222,306 10/1971 Feuer D19/42
- D. 294,724 3/1988 Lund D21/204
- D. 342,277 12/1993 Yoshinaga et al. D19/42
- D. 343,864 2/1994 Rebong D19/36
- D. 356,053 3/1995 Engelkel D11/129 X
- D. 392,000 3/1998 Yang D19/42
- D. 392,315 3/1998 Yang D19/42

Primary Examiner—Martie Thompson
Attorney, Agent, or Firm—Rosenberg, Klein & Bilker

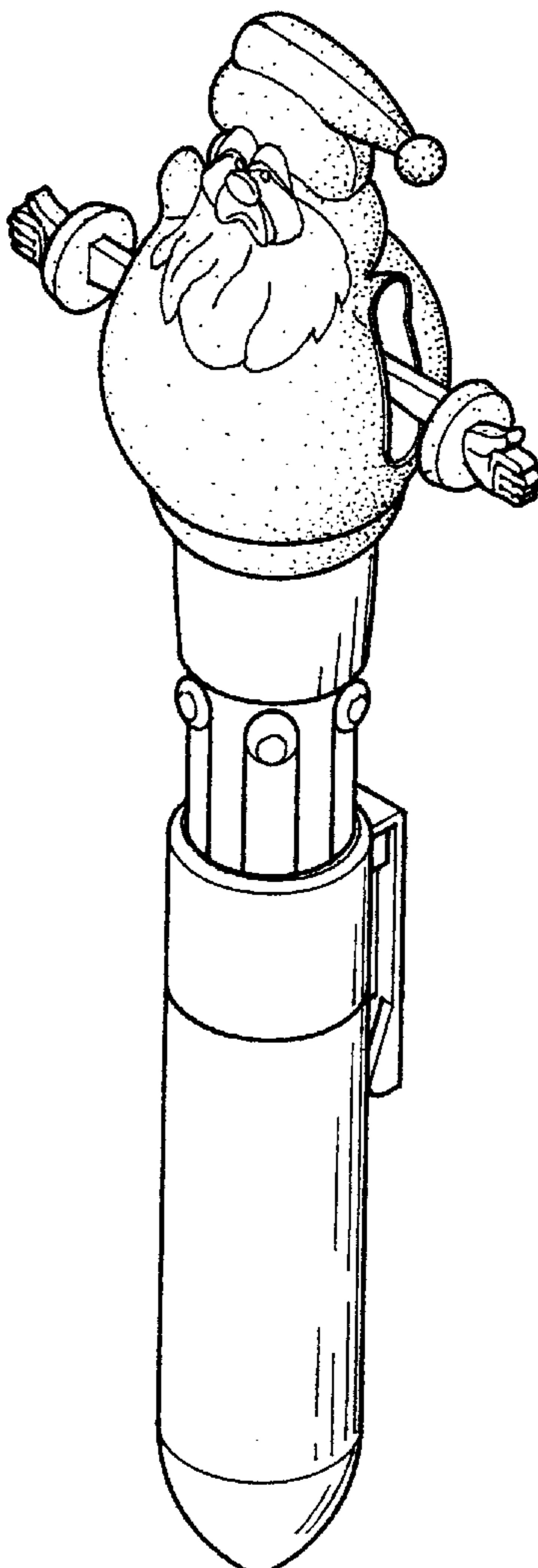
[57] **CLAIM**

The ornamental design for a “pen”, as shown and described.

DESCRIPTION

FIG. 1 is the perspective view of a “pen ” showing my new design;
FIG. 2 is the front elevational view thereof;
FIG. 3 is the rear elevational view thereof;
FIG. 4 is the left side elevational view thereof;
FIG. 5 is the right side elevational view thereof;
FIG. 6 is the top plan view thereof; and,
FIG. 7 is the bottom plan view thereof.

1 Claim, 4 Drawing Sheets



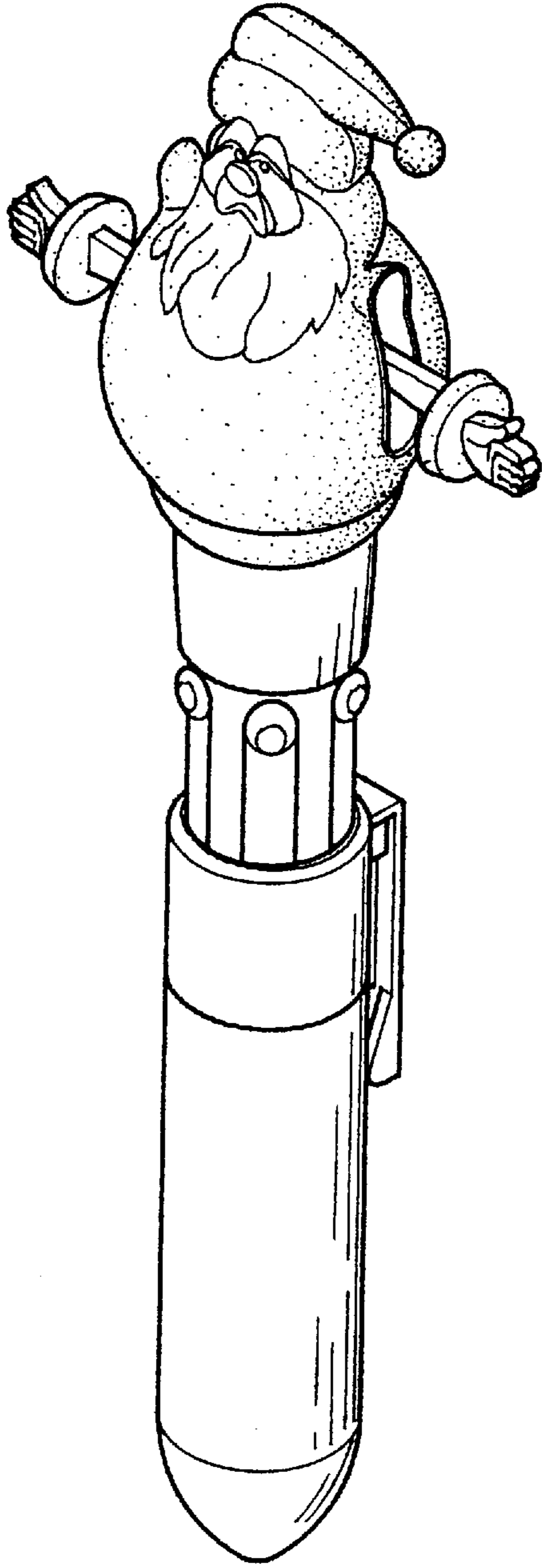


FIG. 1

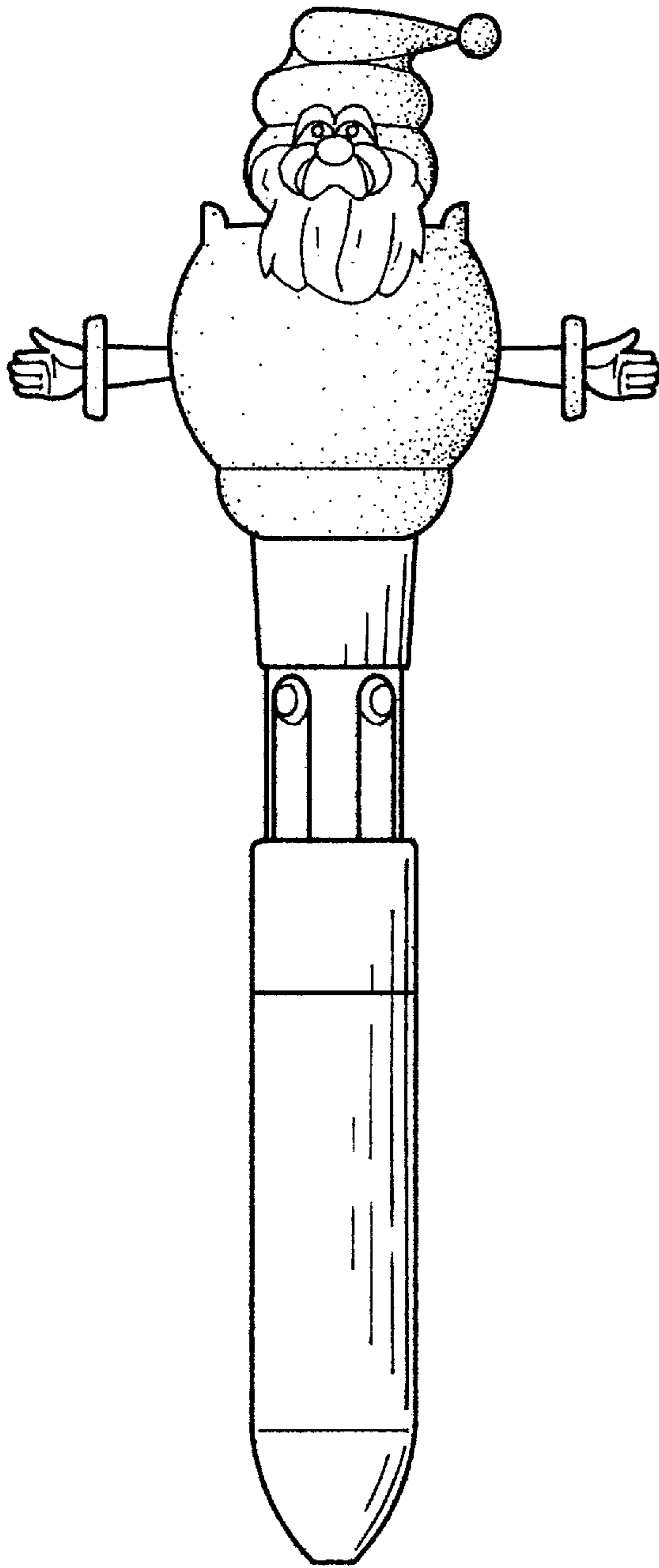


FIG. 2

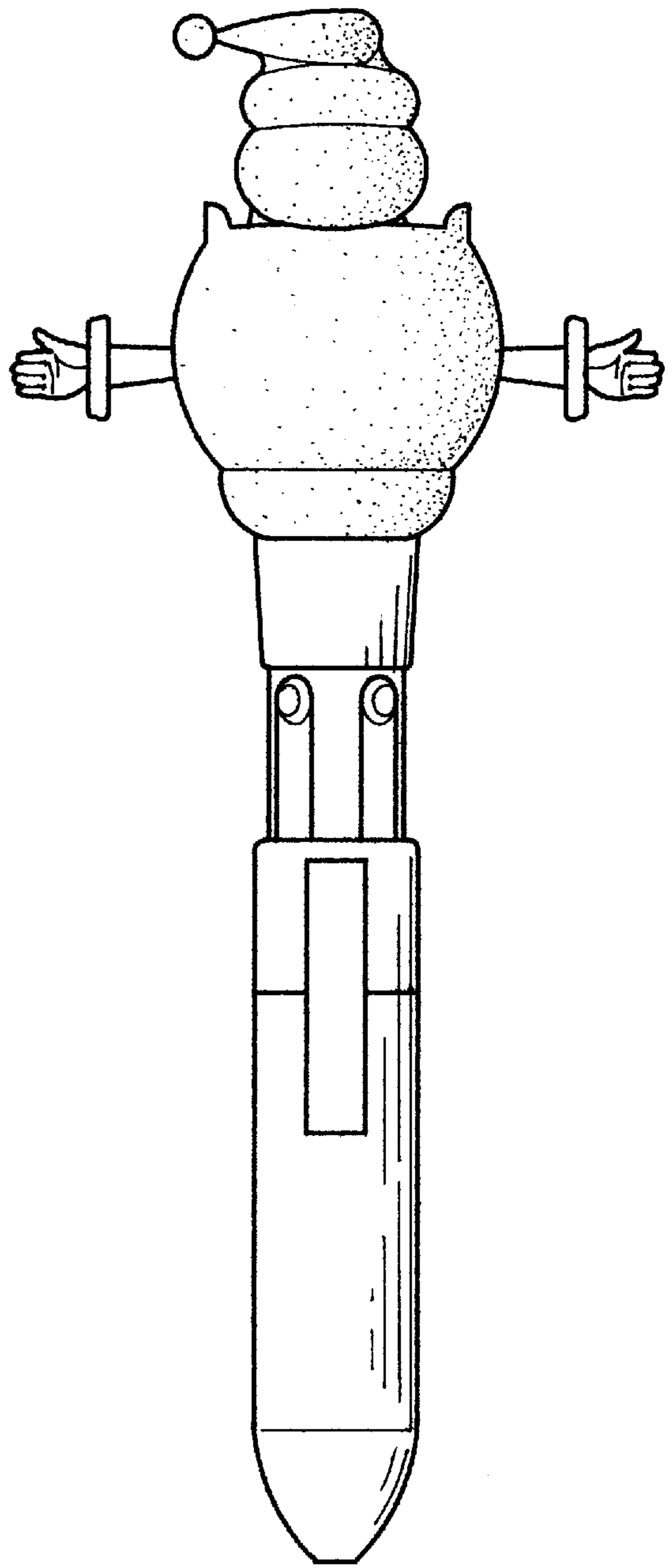


FIG. 3

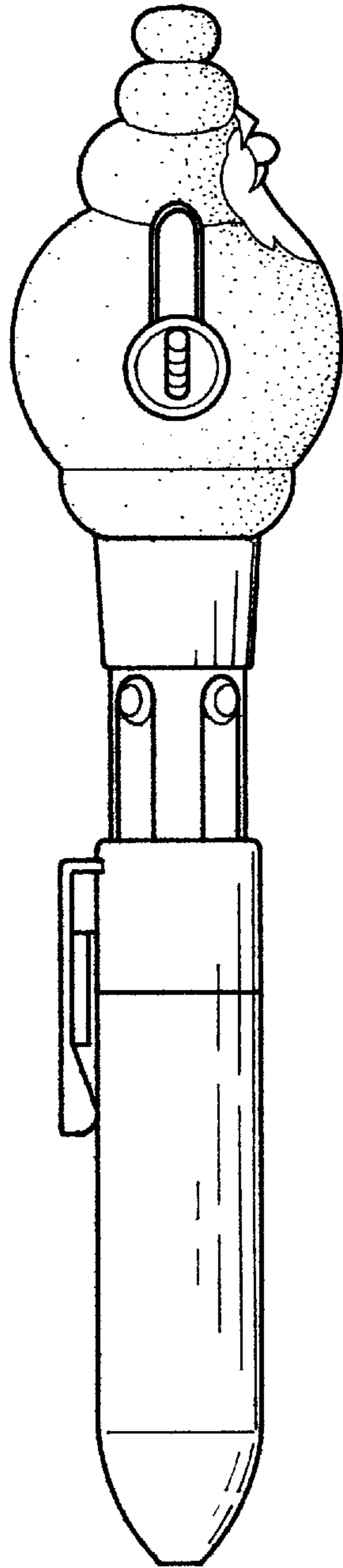


FIG. 4

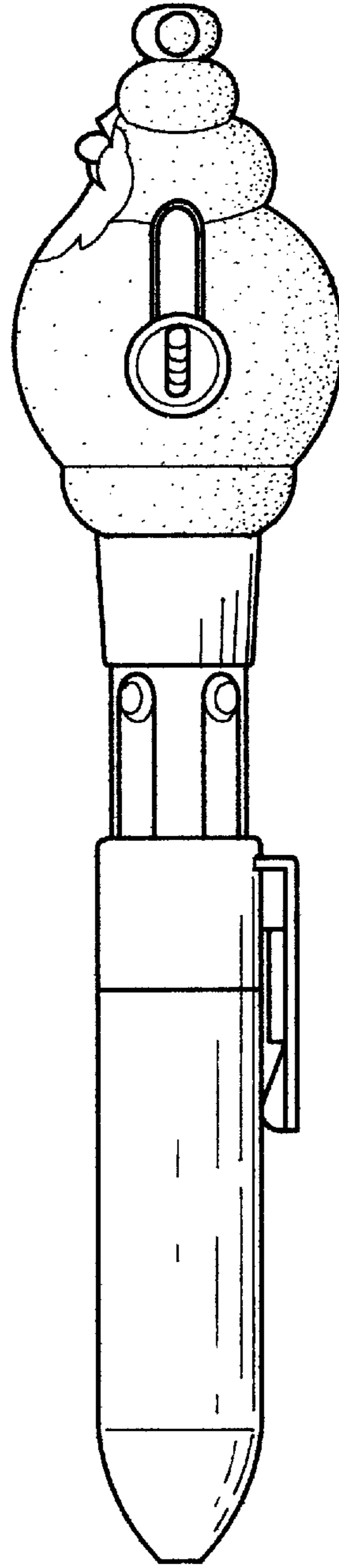


FIG. 5

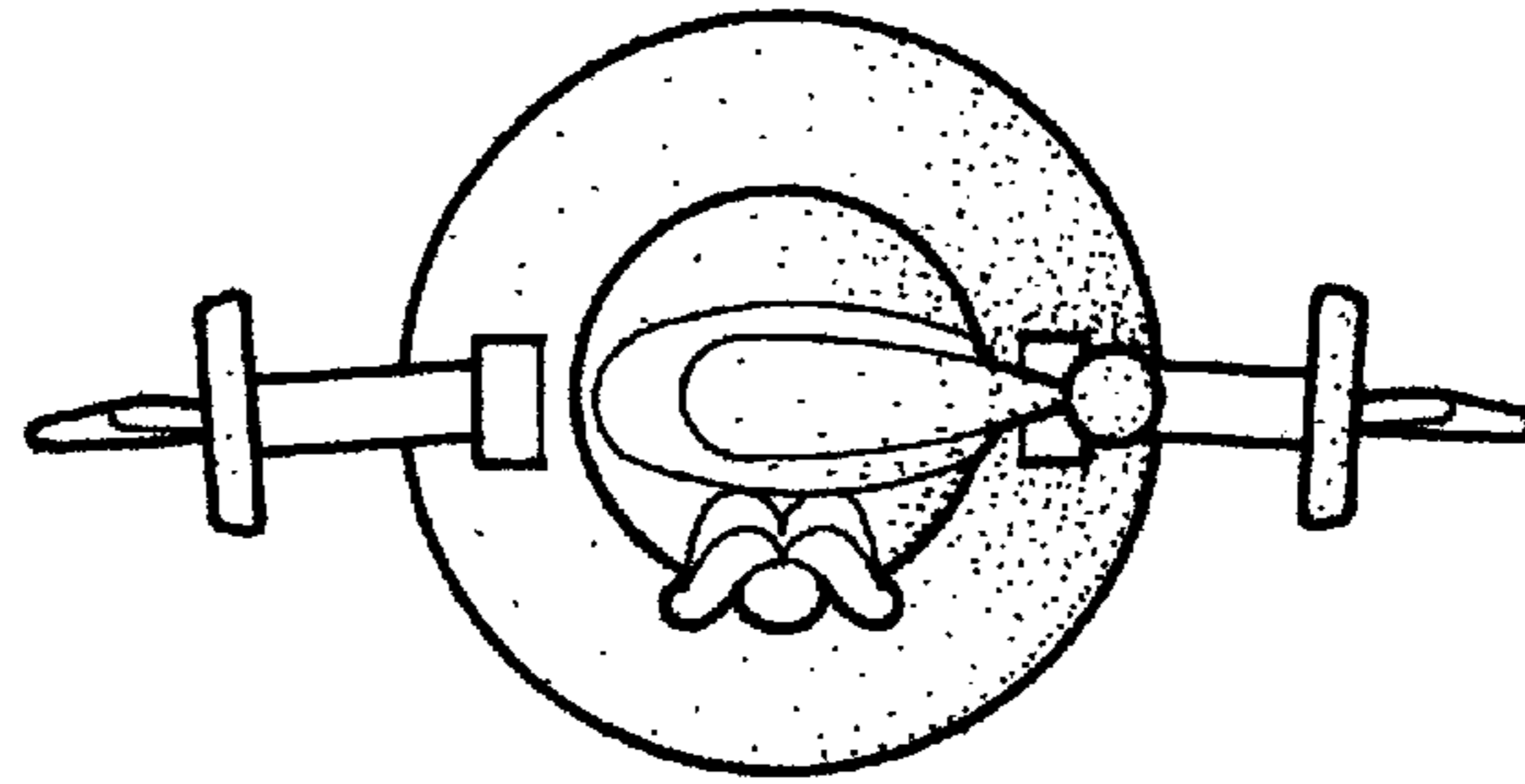


FIG. 6

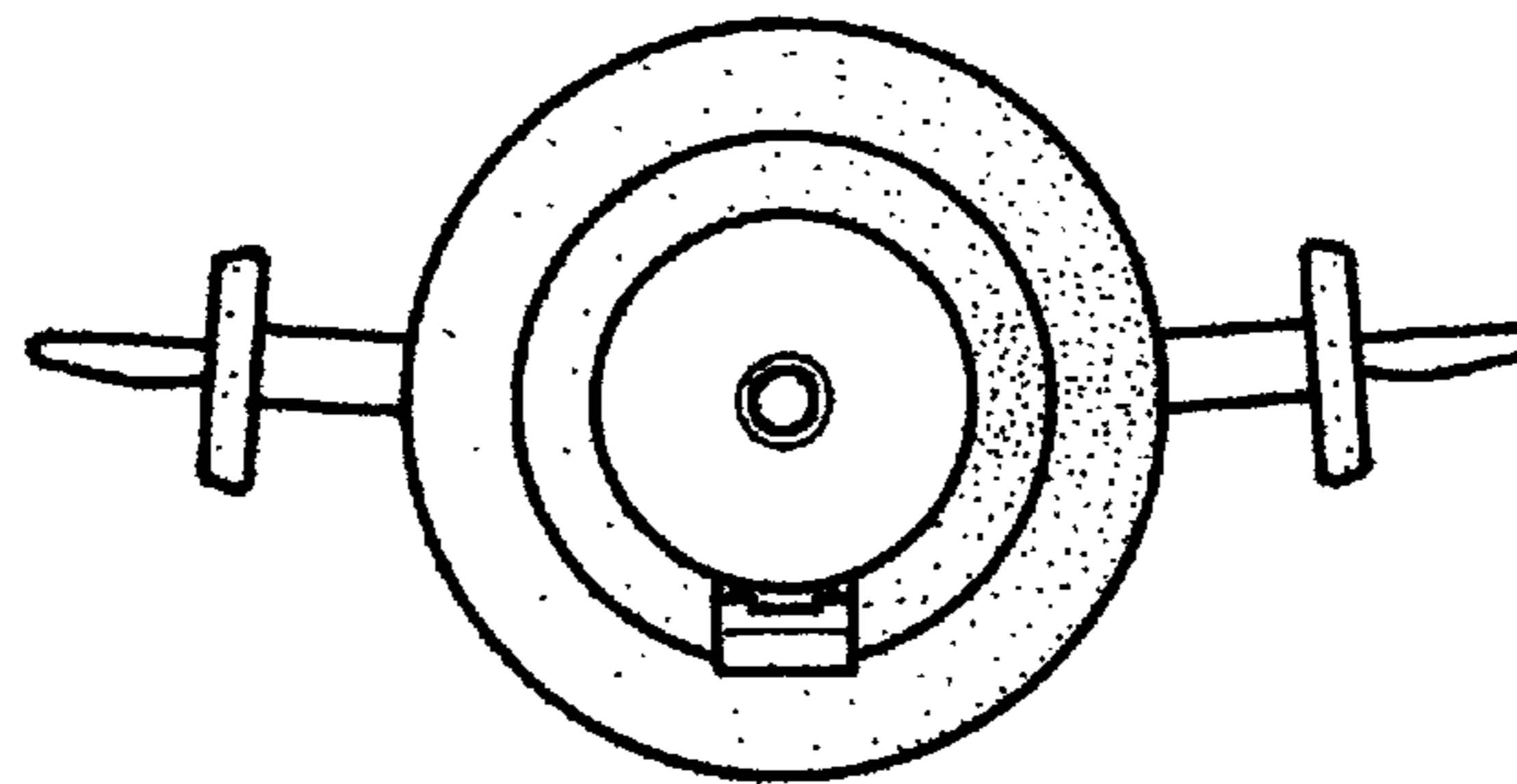


FIG. 7