



US00D399870S

# United States Patent [19] Okada et al.

[11] **Patent Number: Des. 399,870**  
[45] **Date of Patent: \*\*Oct. 20, 1998**

[54] **TONER CARTRIDGE**

[75] Inventors: **Mitsuharu Okada; Teruki Kishimoto,**  
both of Osaka, Japan

[73] Assignee: **Mita Industrial Co., Ltd.,** Osaka,  
Japan

[\*\*] Term: **14 Years**

[21] Appl. No.: **66,850**

[22] Filed: **Feb. 21, 1997**

### [30] Foreign Application Priority Data

Aug. 23, 1996 [JP] Japan ..... 8-25244

[51] **LOC (6) Cl. .... 16-03**

[52] **U.S. Cl. .... D18/43**

[58] **Field of Search** ..... D18/36, 40, 43,  
D18/56; 399/24, 25, 27, 28, 35, 61, 99,  
222, 224, 252, 262; 222/DIG. 1

### [56] References Cited

#### U.S. PATENT DOCUMENTS

D. 252,557 8/1979 Walker ..... D18/43  
D. 298,332 11/1988 Yoshiyama ..... D18/43

D. 350,768 9/1994 Kishino ..... D18/43  
D. 353,832 12/1994 Masaki et al. .... D18/43  
D. 362,678 9/1995 Ishibashi et al. .... D18/43  
D. 363,305 10/1995 Nishioka et al. .... D18/43  
D. 374,456 10/1996 Wakatsuki et al. .... D18/43  
4,827,307 5/1989 Zoltner ..... D18/43 X  
4,963,939 10/1990 Kurando et al. .... D18/43 X

*Primary Examiner*—Caron D. Veynar  
*Attorney, Agent, or Firm*—Spencer & Frank

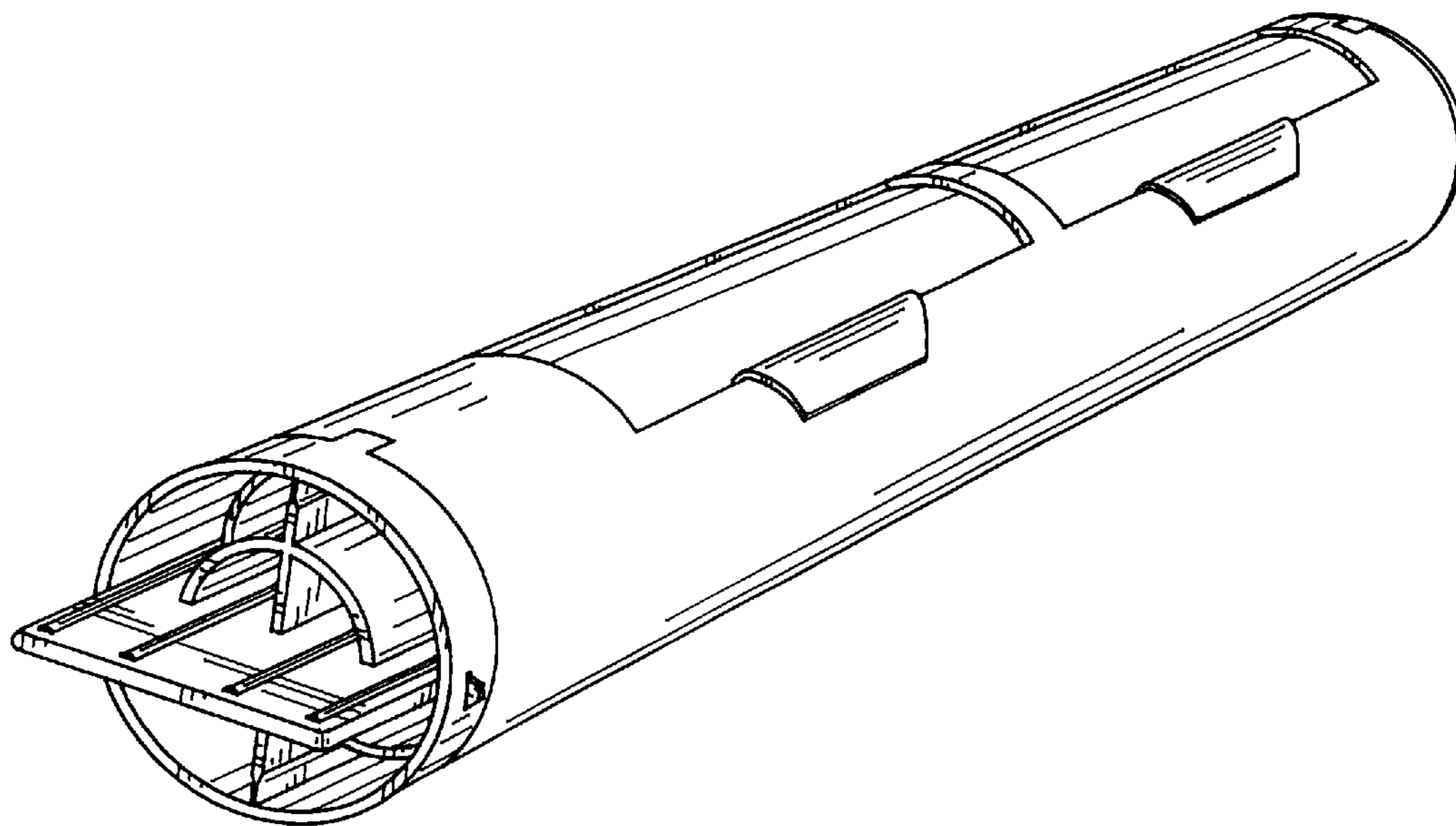
### [57] CLAIM

The ornamental design for a toner cartridge, as shown.

### DESCRIPTION

FIG. 1 is a front view of a toner cartridge;  
FIG. 2 is a back view of a toner cartridge;  
FIG. 3 is a left side view of a toner cartridge;  
FIG. 4 is a right side view of a toner cartridge;  
FIG. 5 is a top view of a toner cartridge;  
FIG. 6 is a bottom view of a toner cartridge;  
FIG. 7 is a cross-section view taken along the line 7—7 in  
FIG. 5;  
FIG. 8 is a cross-section view taken along the line 8—8 in  
FIG. 5; and,  
FIG. 9 is a perspective view on an enlarged scale.

**1 Claim, 4 Drawing Sheets**



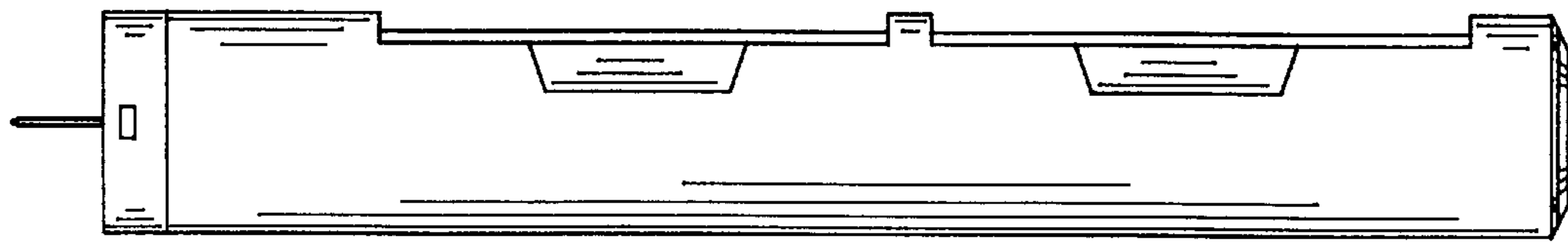


FIG. 1

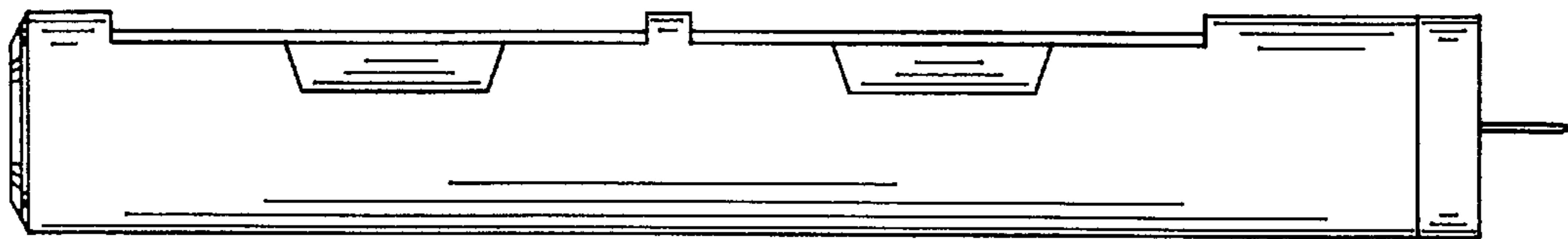


FIG. 2

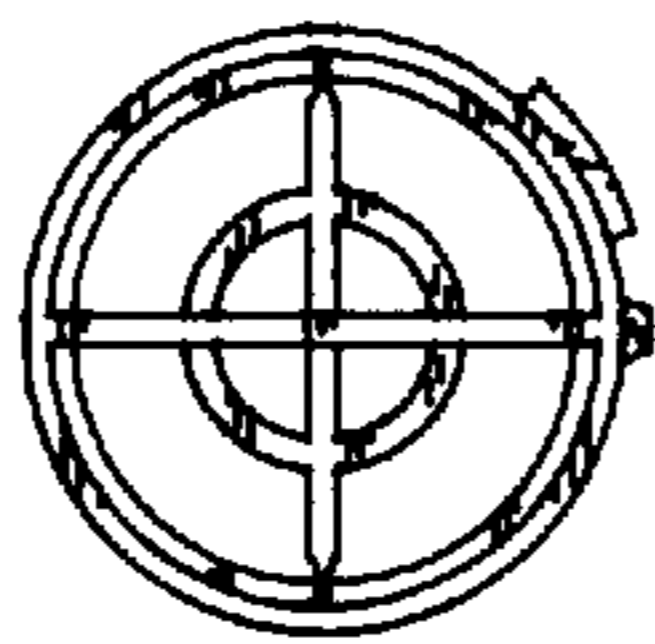


FIG. 3

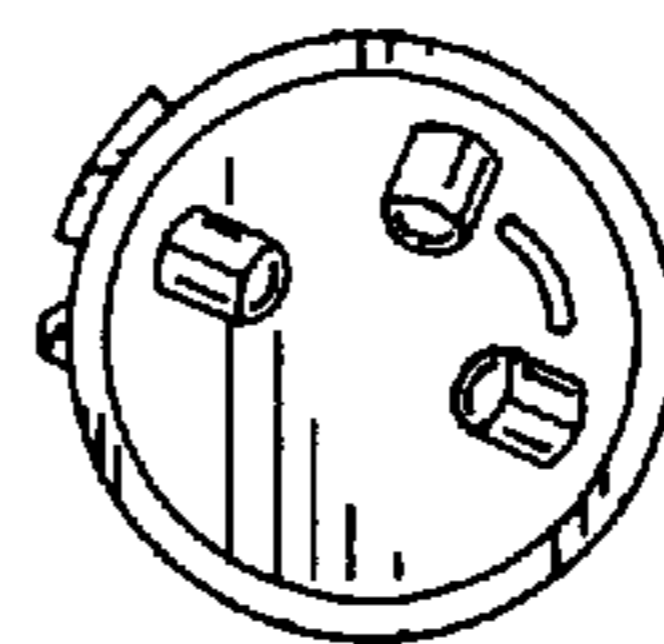


FIG. 4

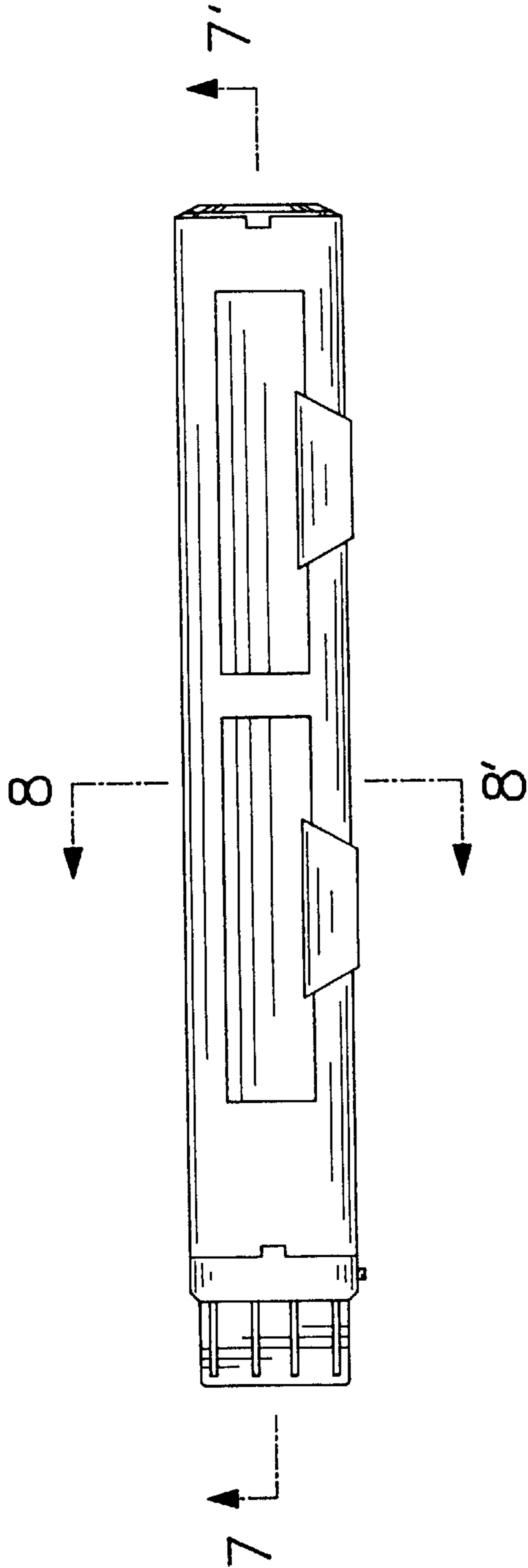


FIG. 5

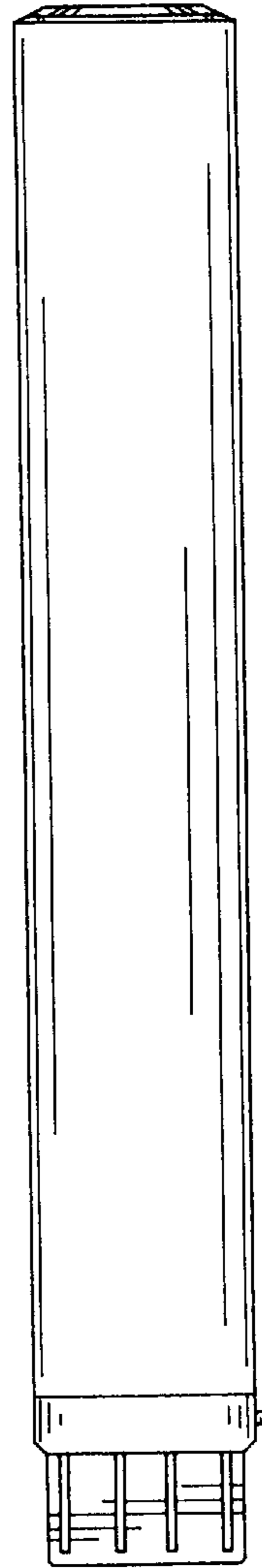


FIG. 6

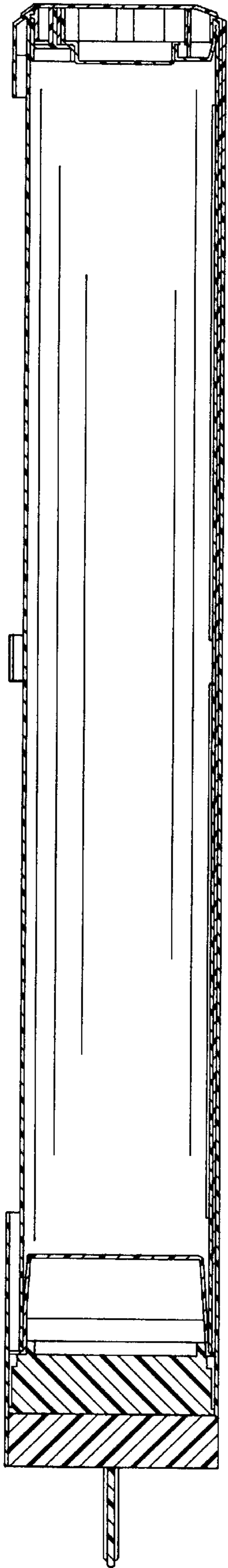


FIG. 7

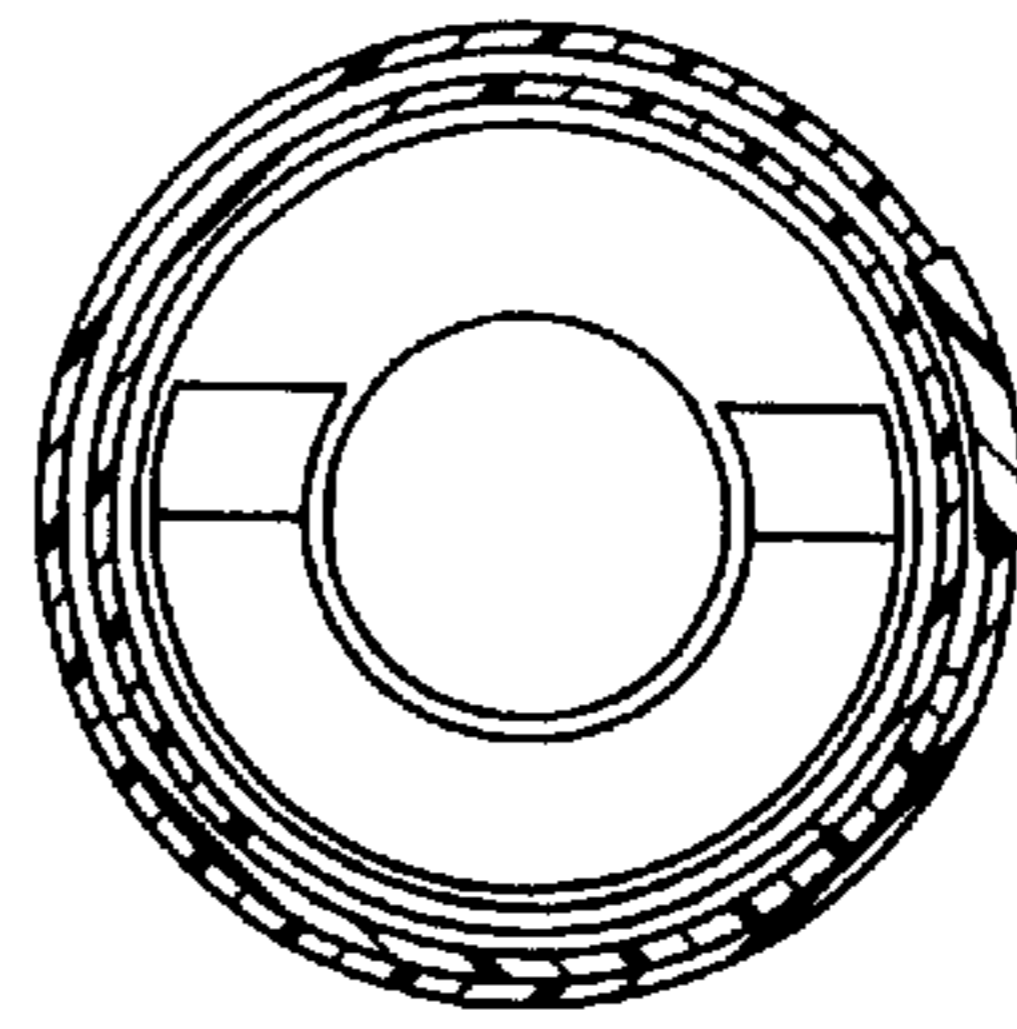


FIG. 8

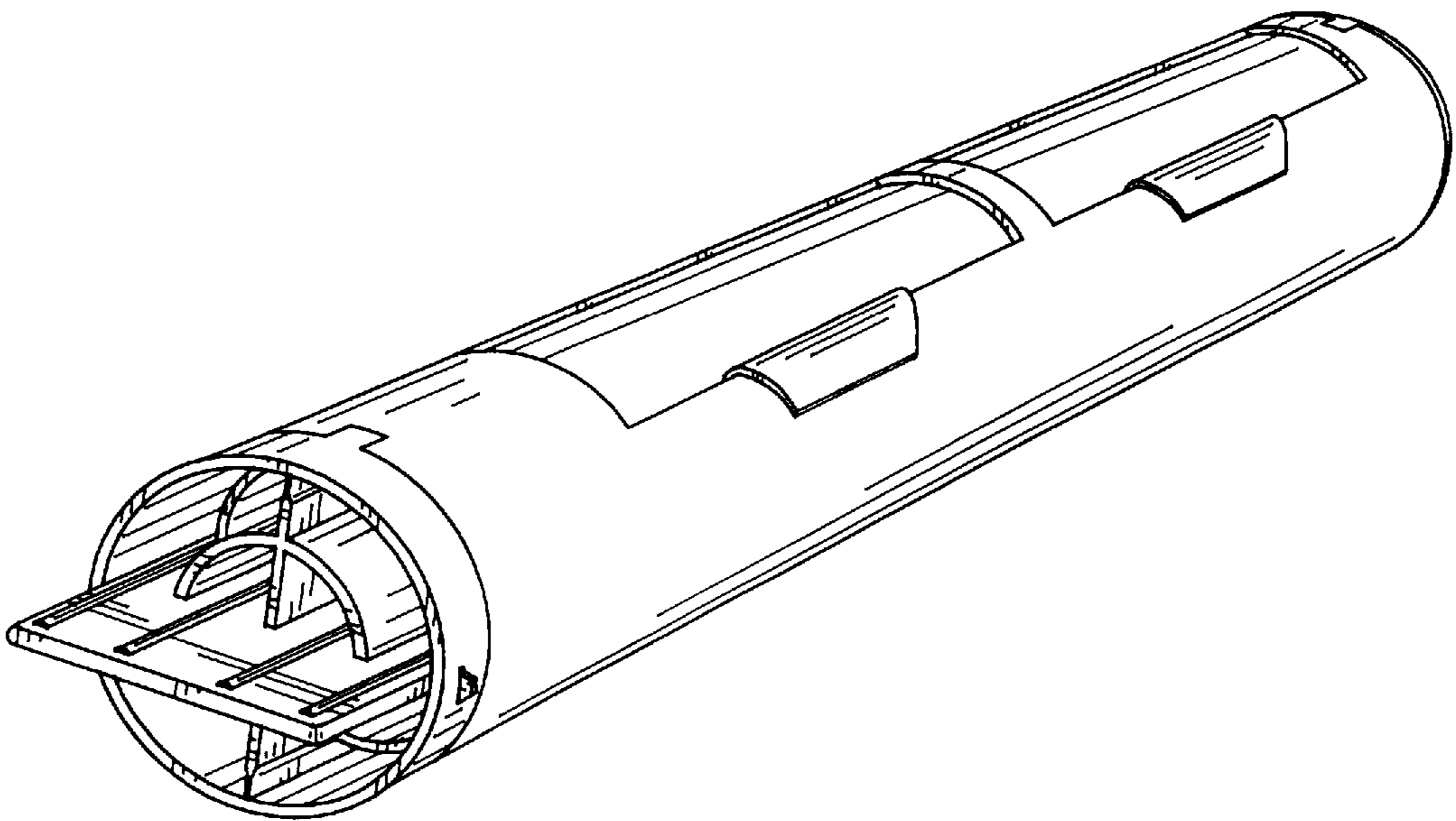


FIG. 9