



US00D399869S

# United States Patent [19]

Yoshida et al.

[11] **Patent Number: Des. 399,869**

[45] **Date of Patent: \*\*Oct. 20, 1998**

[54] **COPYING MACHINE**

[75] Inventors: **Koji Yoshida; Eiichi Okamoto; Noriko Katayama**, all of Tokyo, Japan

[73] Assignee: **Fuji Photo Film Co., Ltd.**, Kanagawa, Japan

[\*\*] Term: **14 Years**

[21] Appl. No.: **74,593**

[22] Filed: **Aug. 6, 1997**

[30] **Foreign Application Priority Data**

Feb. 7, 1997 [JP] Japan ..... 9-3422

[51] **LOC (6) Cl.** ..... **16-03**

[52] **U.S. Cl.** ..... **D18/39**

[58] **Field of Search** ..... D18/36-39, 55;  
D14/100, 118; 355/20, 23, 24; 399/1, 3-7,  
310

[56] **References Cited**

**U.S. PATENT DOCUMENTS**

D. 355,925 2/1995 Saunders et al. .... D18/36 X

- D. 359,066 6/1995 Kondo et al. .... D18/36 X
- D. 363,304 10/1995 Kondo et al. .... D18/39
- D. 373,786 9/1996 Kondo ..... D18/39
- D. 390,591 2/1998 Okamoto et al. .... D18/39

*Primary Examiner*—Caron D. Veynar  
*Attorney, Agent, or Firm*—Young & Thompson

[57] **CLAIM**

The ornamental design for a copying machine, as shown.

**DESCRIPTION**

FIG. 1 is a top, front and side perspective view of a copying machine showing our new design;  
 FIG. 2 is a front elevational view thereof;  
 FIG. 3 is a rear elevational view thereof;  
 FIG. 4 is a top plan view thereof;  
 FIG. 5 is a bottom plan view thereof;  
 FIG. 6 is a side elevational view thereof from the left of FIG. 2; and,  
 FIG. 7 is a side elevational view thereof from the right of FIG. 2.

**1 Claim, 4 Drawing Sheets**

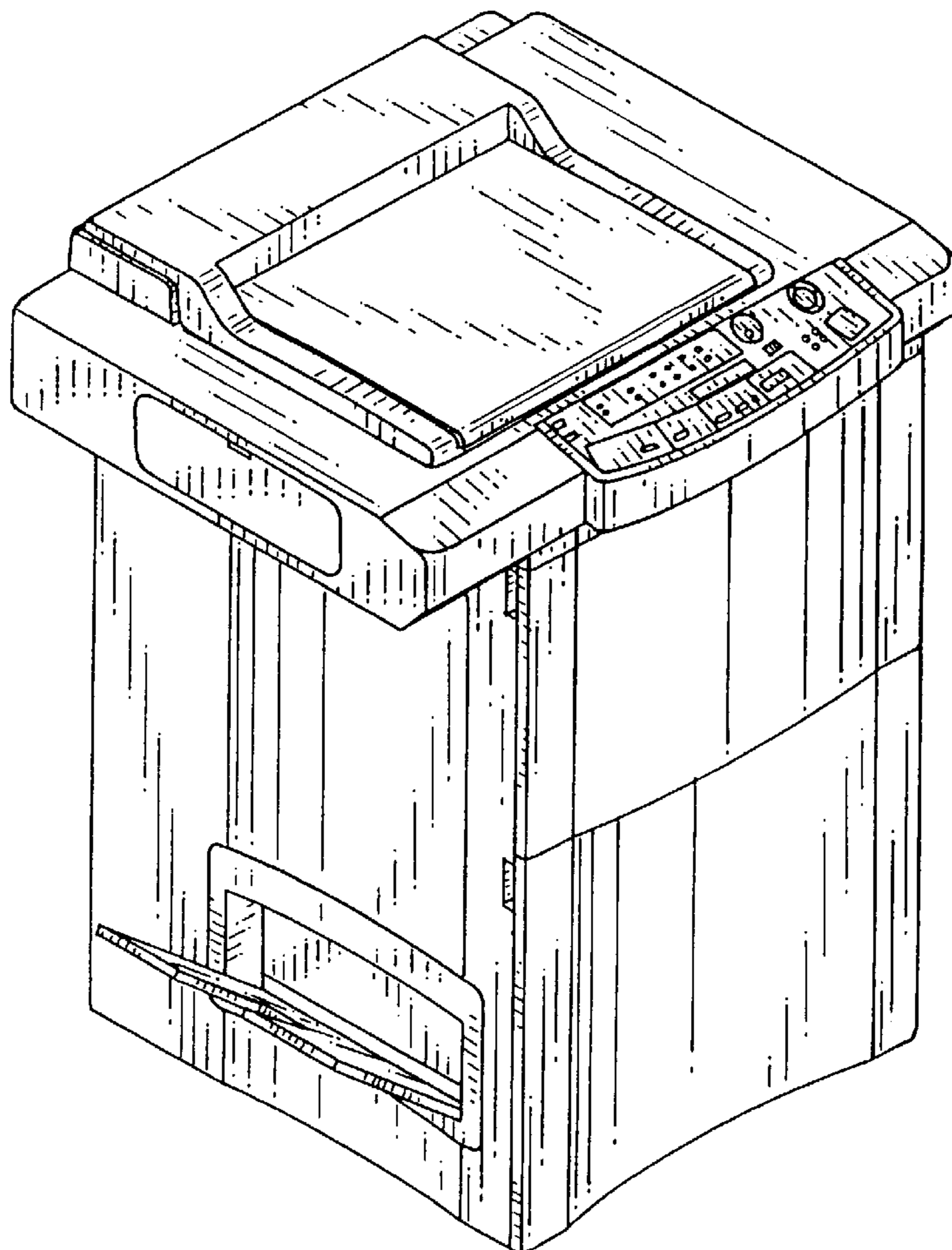


FIG. 1

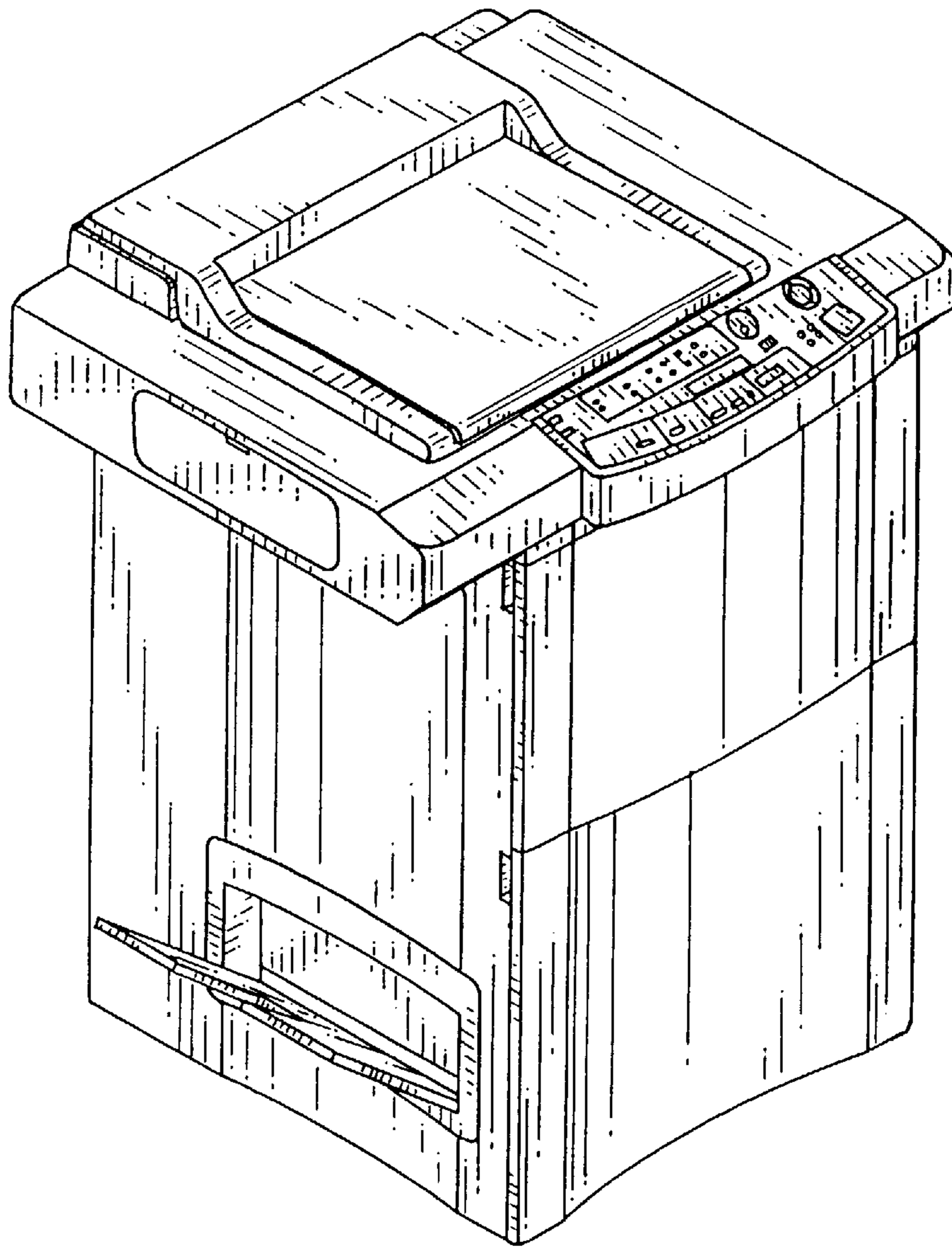


FIG. 3

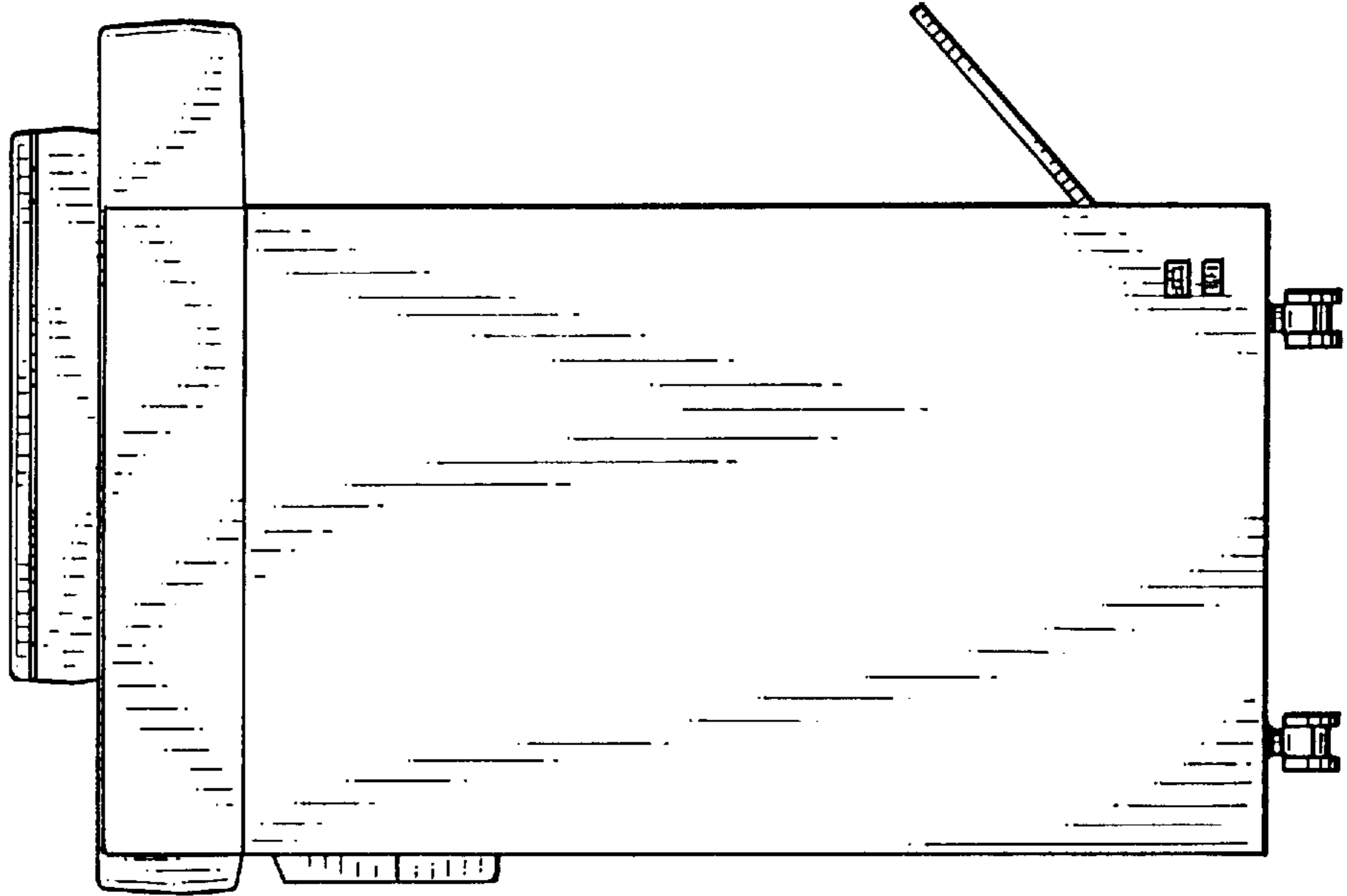


FIG. 2

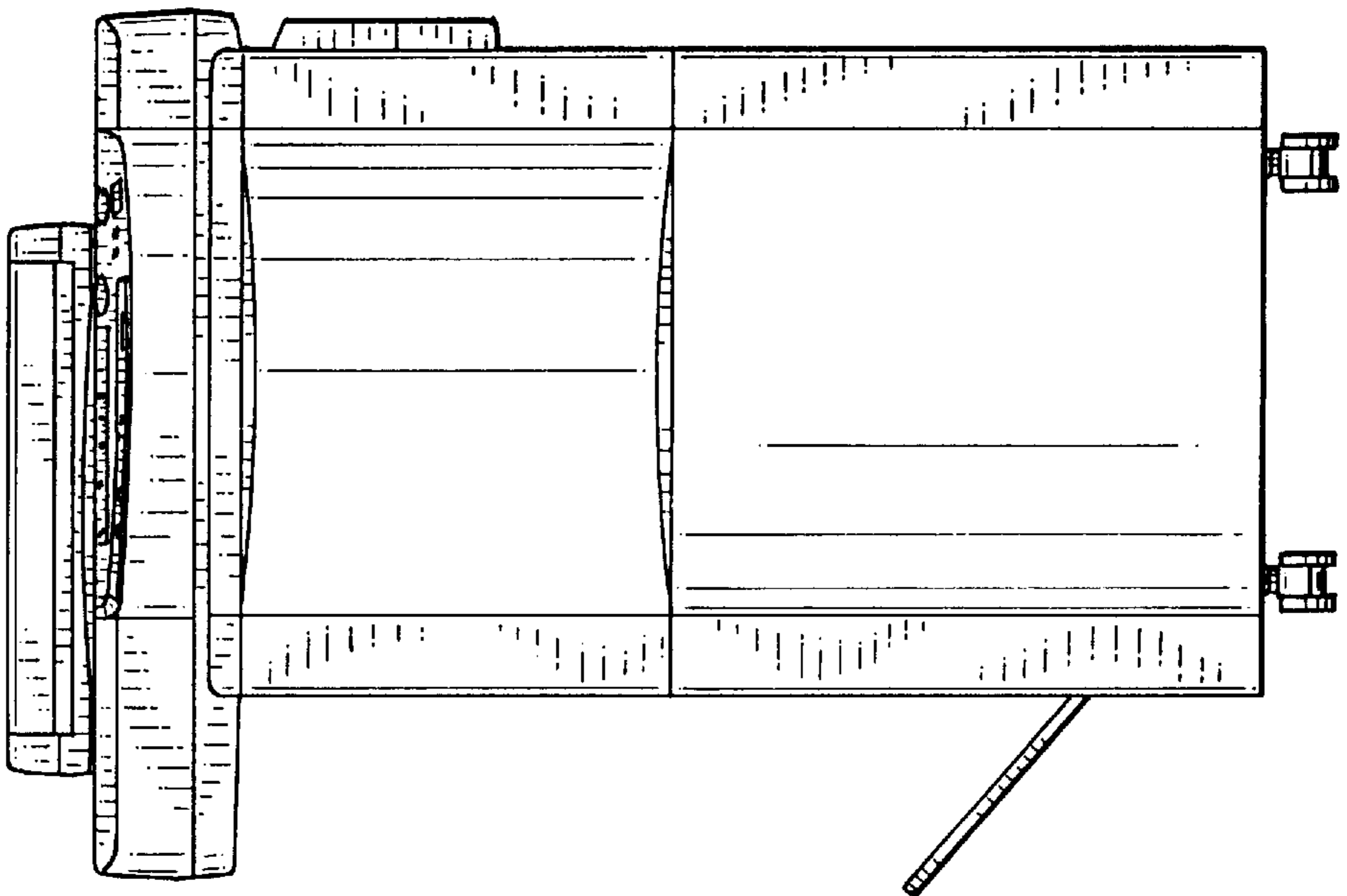


FIG. 5

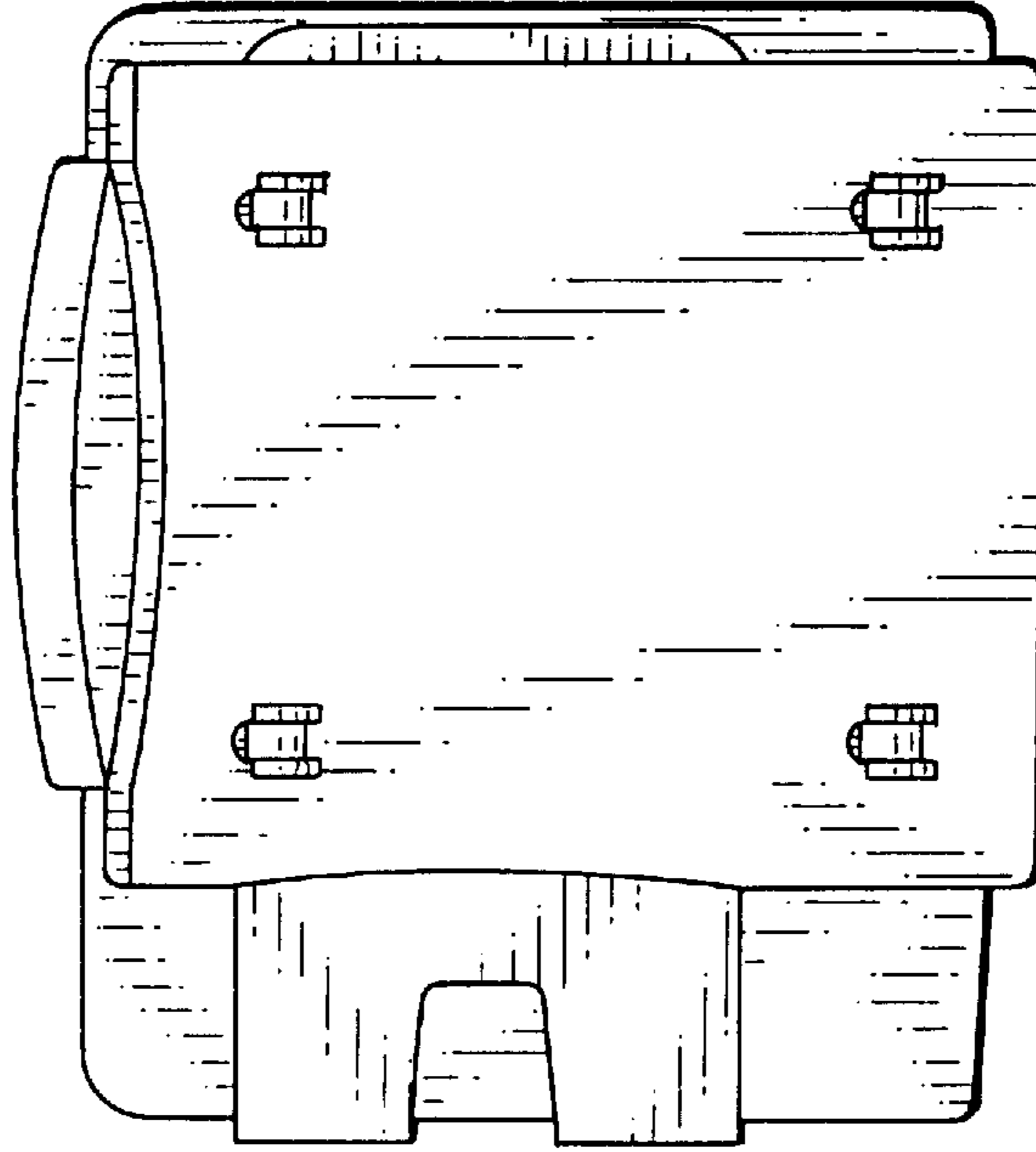


FIG. 4

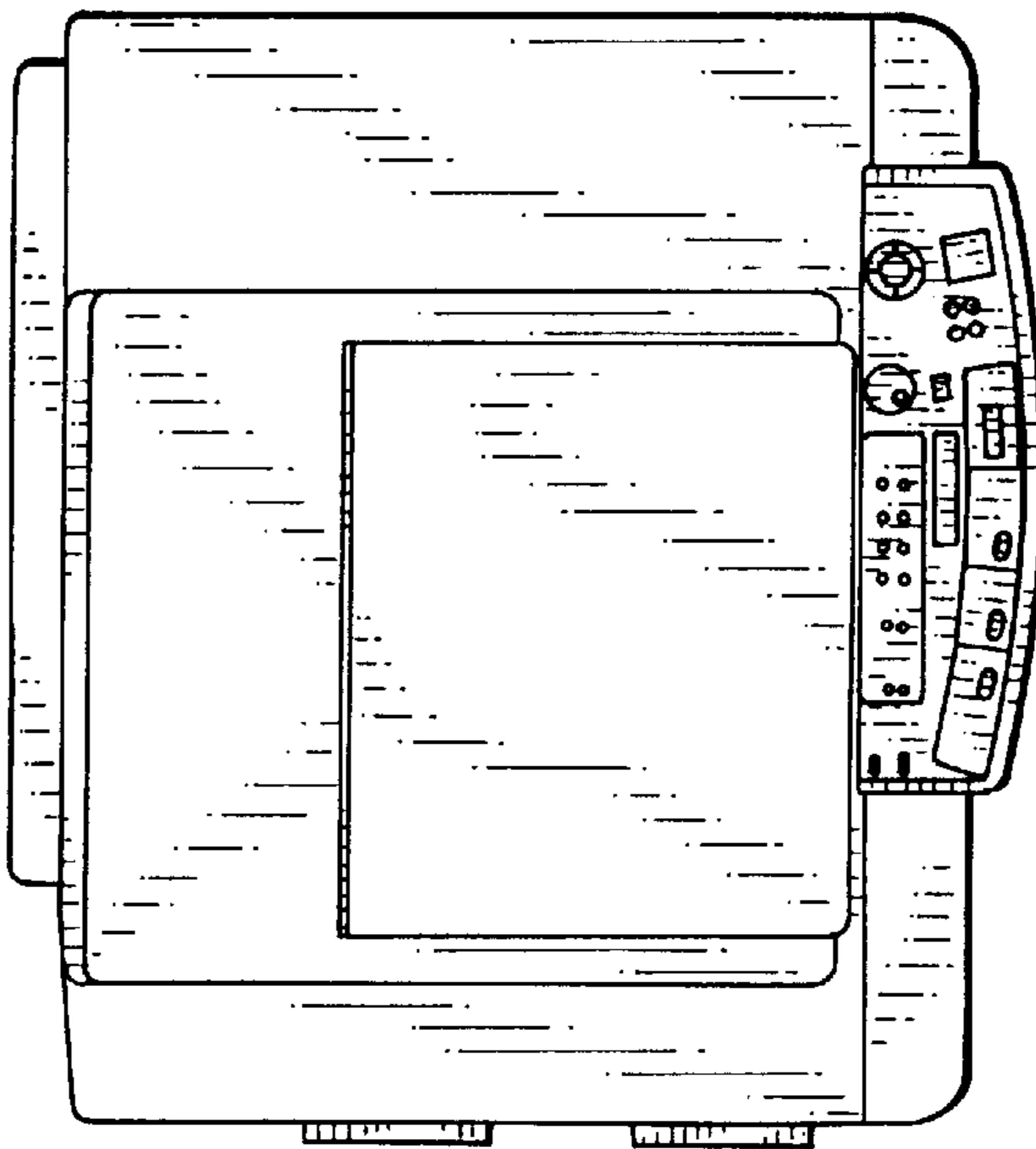


FIG. 7

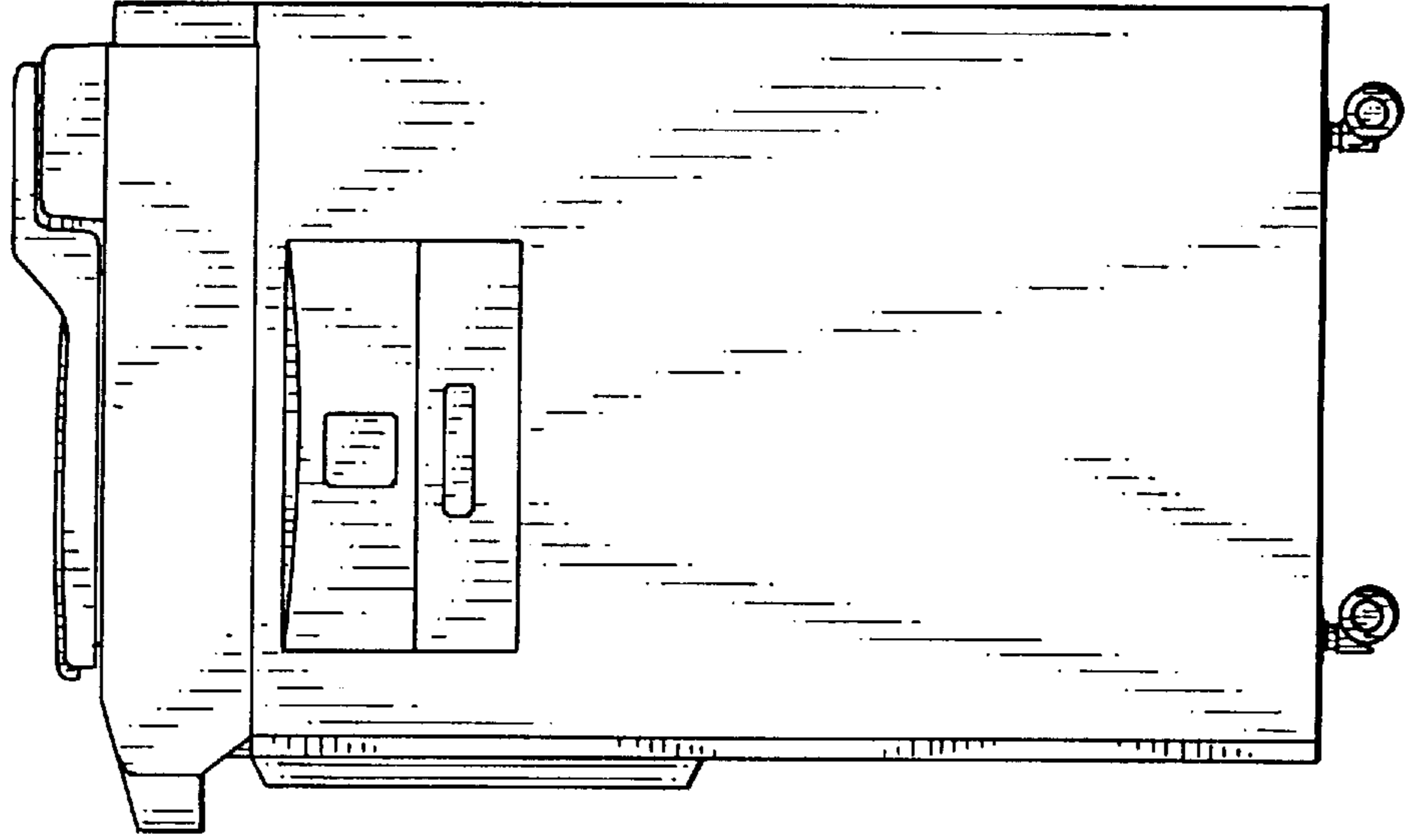


FIG. 6

