



US00D399868S

United States Patent [19] Harden

[11] **Patent Number: Des. 399,868**

[45] **Date of Patent: **Oct. 20, 1998**

[54] **CASING FOR STAMPERS**

[75] Inventor: **Dan Harden**, Palo Alto, Calif.

[73] Assignee: **Shachihata Inc.**, Nagoya, Japan

[**] Term: **14 Years**

[21] Appl. No.: **56,770**

[22] Filed: **Jul. 9, 1996**

[51] **LOC (6) Cl. 19-02**

[52] **U.S. Cl. D18/18; D19/75**

[58] **Field of Search D18/18, 99; D19/75,
D19/76; 206/425; 211/39; 101/327, 333,
405, 406**

[56] **References Cited**

U.S. PATENT DOCUMENTS

| | | | | |
|------------|---------|--------|-------|---------|
| D. 275,500 | 9/1984 | Tyke | | D19/76 |
| D. 323,508 | 1/1992 | Wright | | D19/75 |
| 1,516,960 | 11/1924 | Faggen | | 101/333 |
| 3,304,181 | 2/1967 | Ewald | | 101/405 |

FOREIGN PATENT DOCUMENTS

| | | | | |
|--------|--------|-------|-------|---------|
| 109383 | 6/1984 | Japan | | 101/405 |
|--------|--------|-------|-------|---------|

Primary Examiner—Louis S. Zarfes
Assistant Examiner—G. Albert Andoll
Attorney, Agent, or Firm—Evenson, McKeown, Edwards & Lenahan, PLLC

[57] **CLAIM**

The ornamental design for a casing for stampers, as shown and described.

DESCRIPTION

FIG. 1 is a perspective view of the casing for stampers according to my design;
FIG. 2 is a front elevational view of the casing for stampers;
FIG. 3 is a top plan view thereof;
FIG. 4 is a bottom plan view thereof;
FIG. 5 is a right side elevational view thereof, the left side elevational view being a mirror image thereof;
FIG. 6 is a view in section taken along line 6—6 of FIG. 3;
FIG. 7 is a view in section taken along line 7—7 of FIG. 3;
FIG. 8 is a view in section taken along line 8—8 of FIG. 3, and,
FIG. 9 is a perspective view showing how to stack the casings with stampers contained in the casings.
The broken line showing of the stampers and the other casing in FIG. 9 is for illustrative purposes only and forms no part of the claimed design.

1 Claim, 4 Drawing Sheets

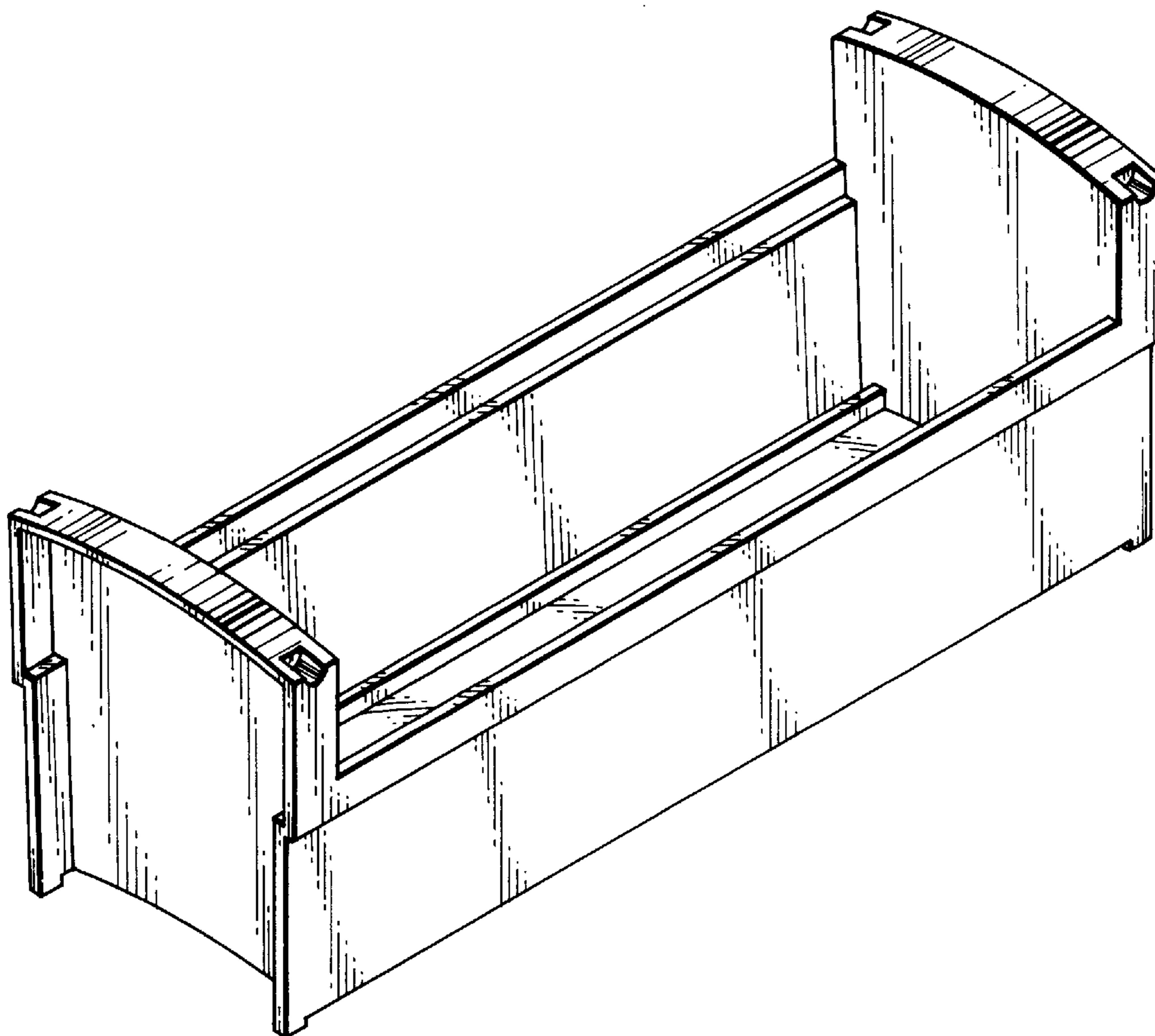


FIG. 1

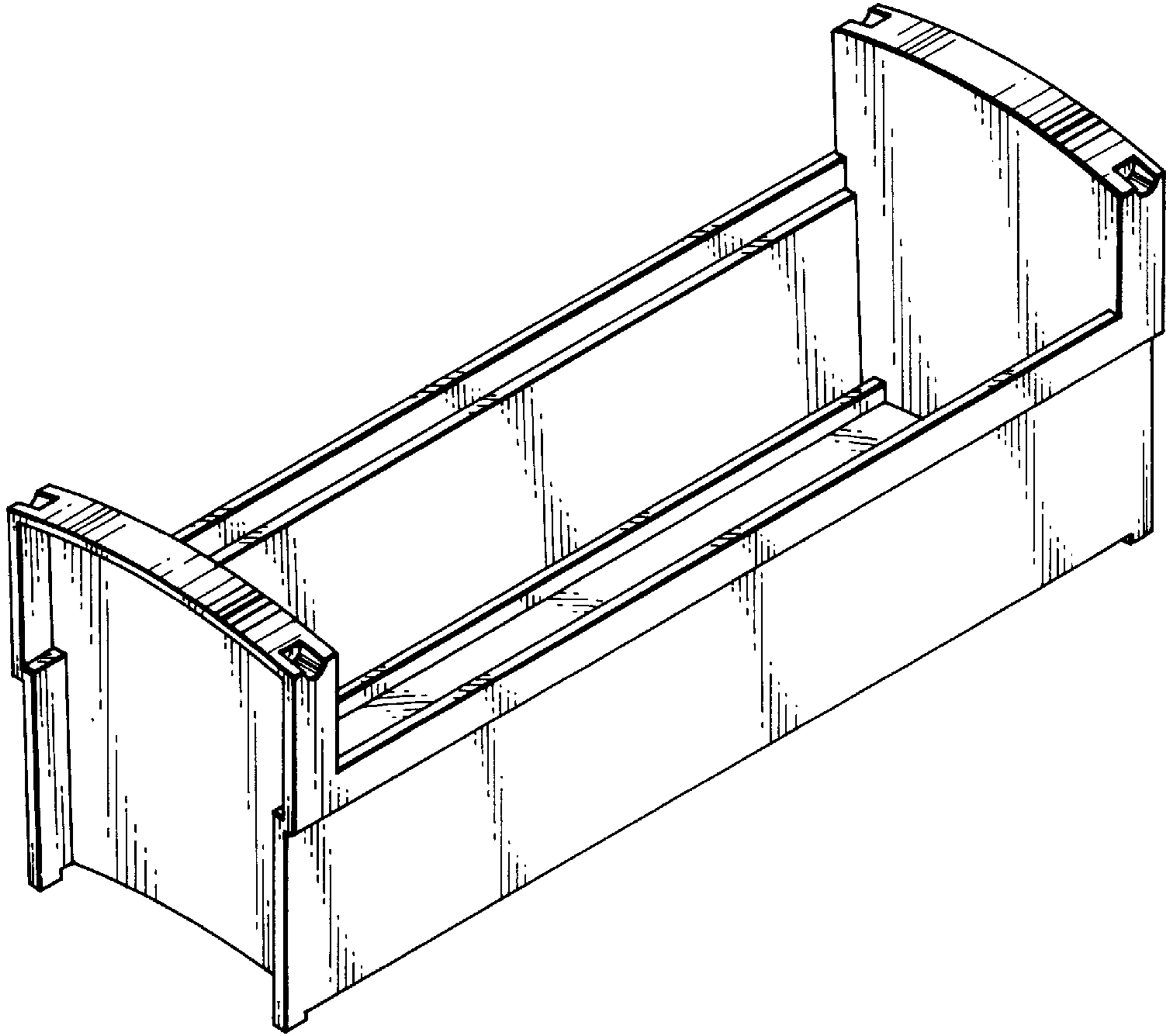


FIG. 2

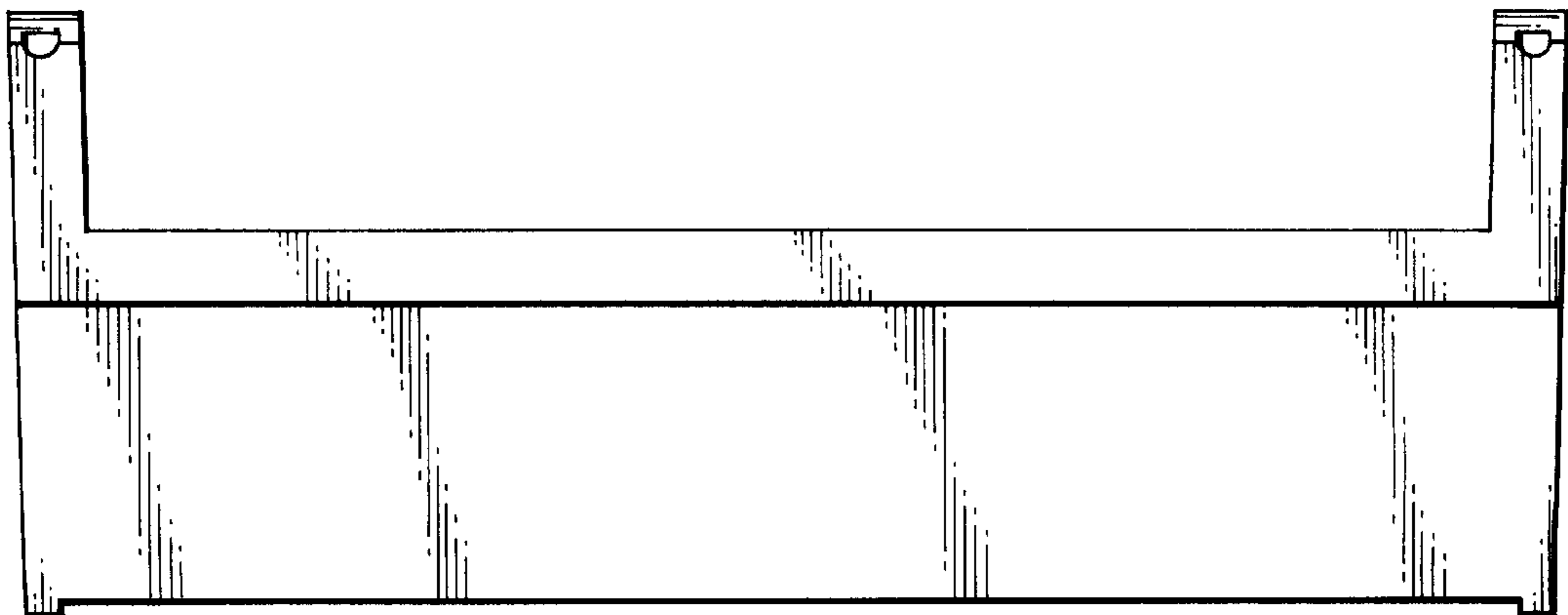


FIG. 3

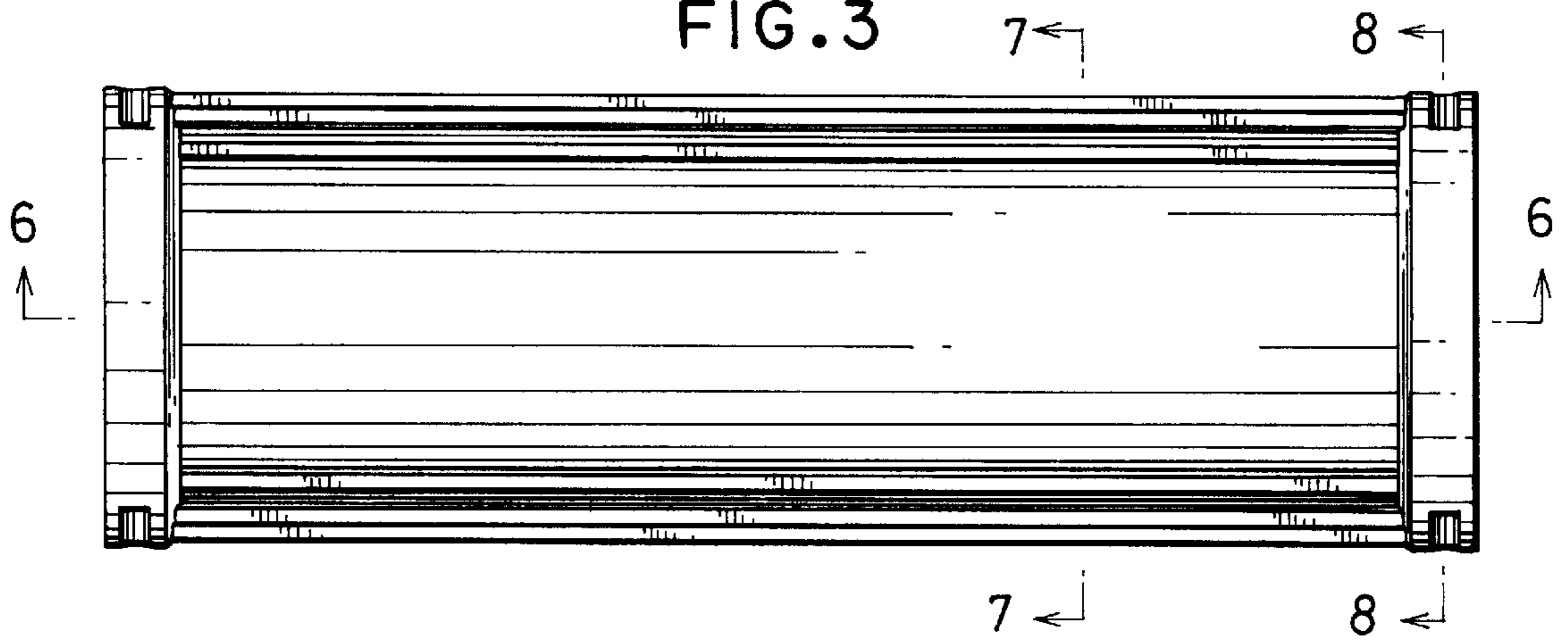


FIG. 4

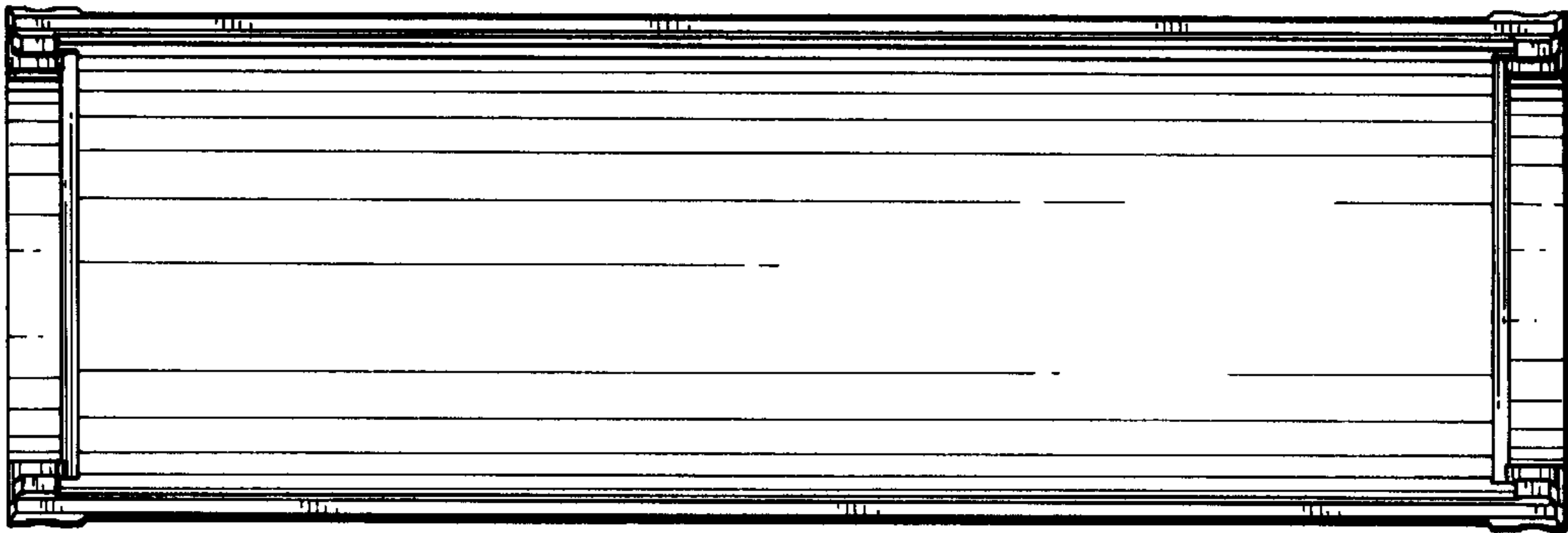


FIG. 5

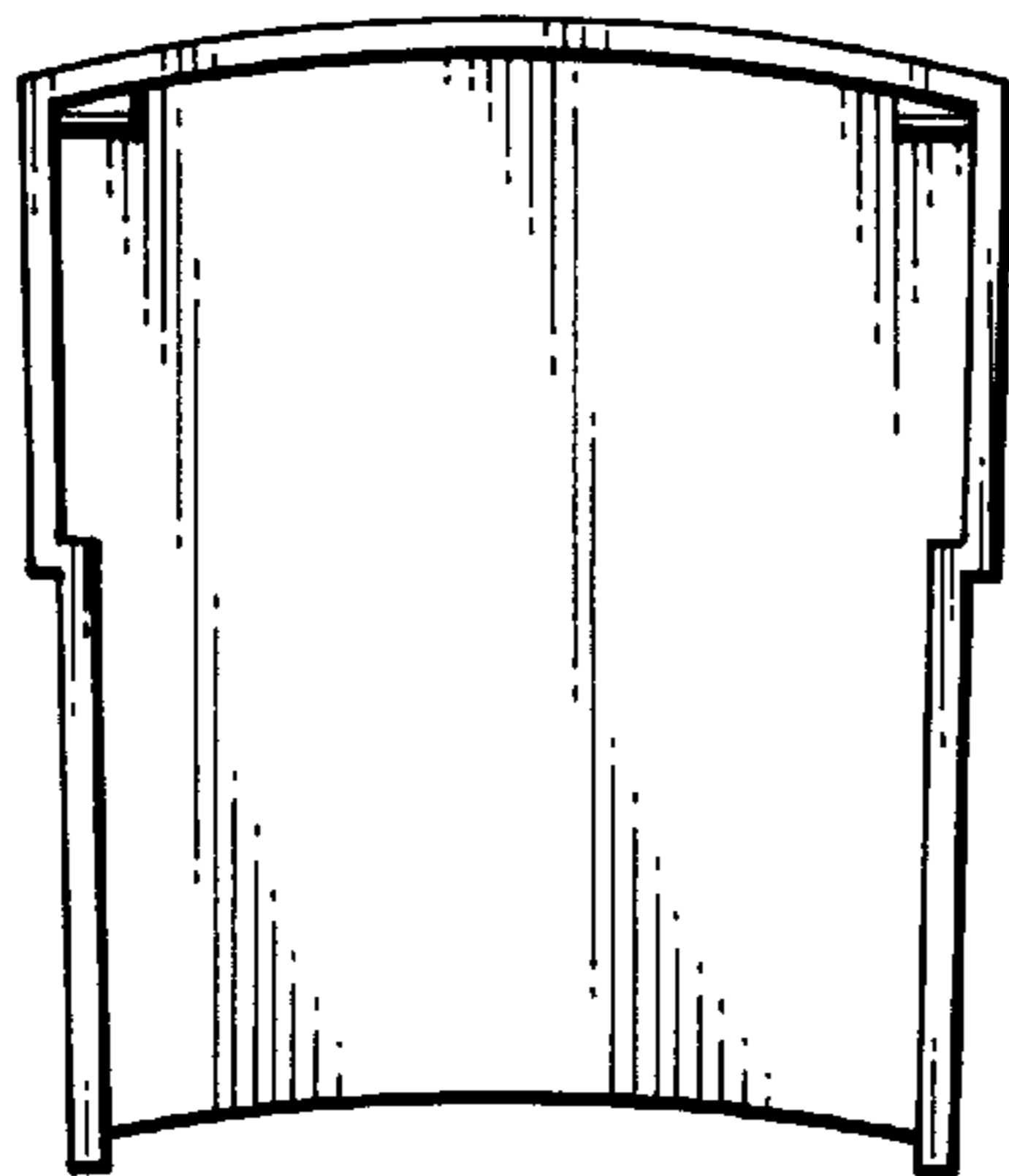


FIG. 6

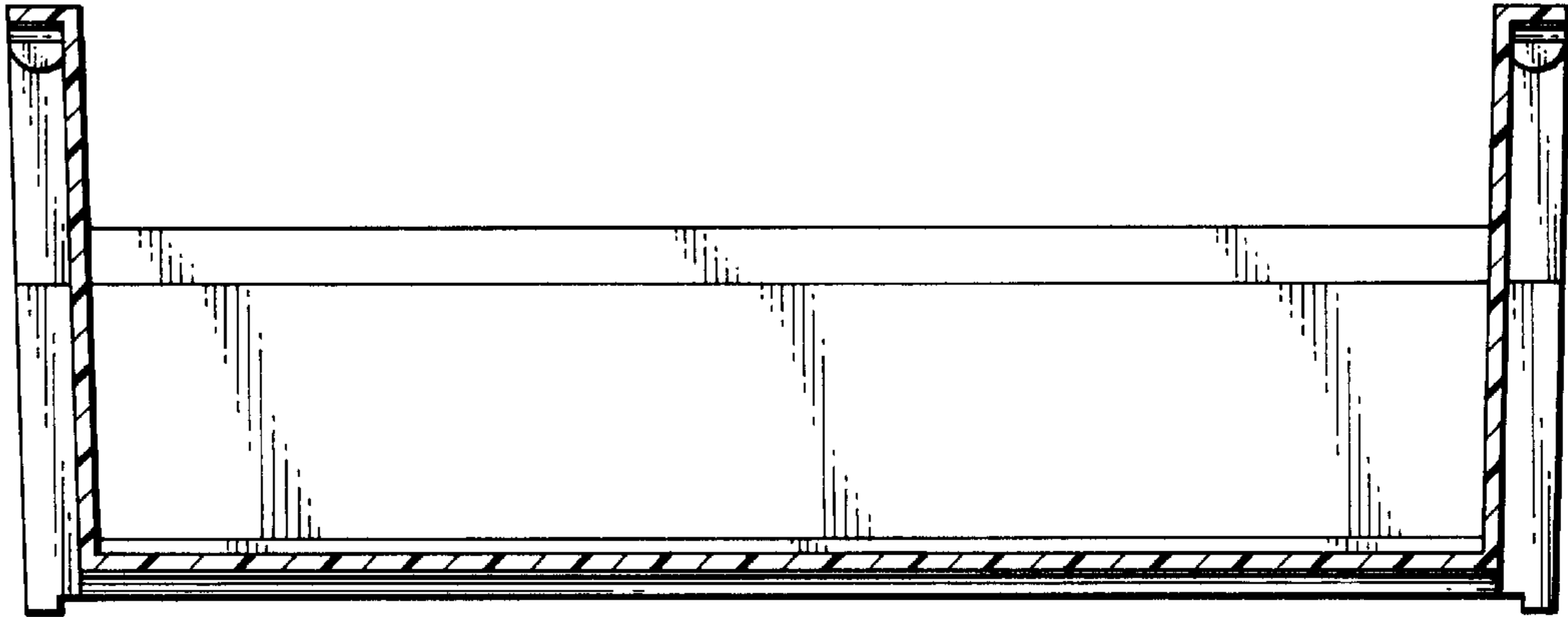


FIG. 7

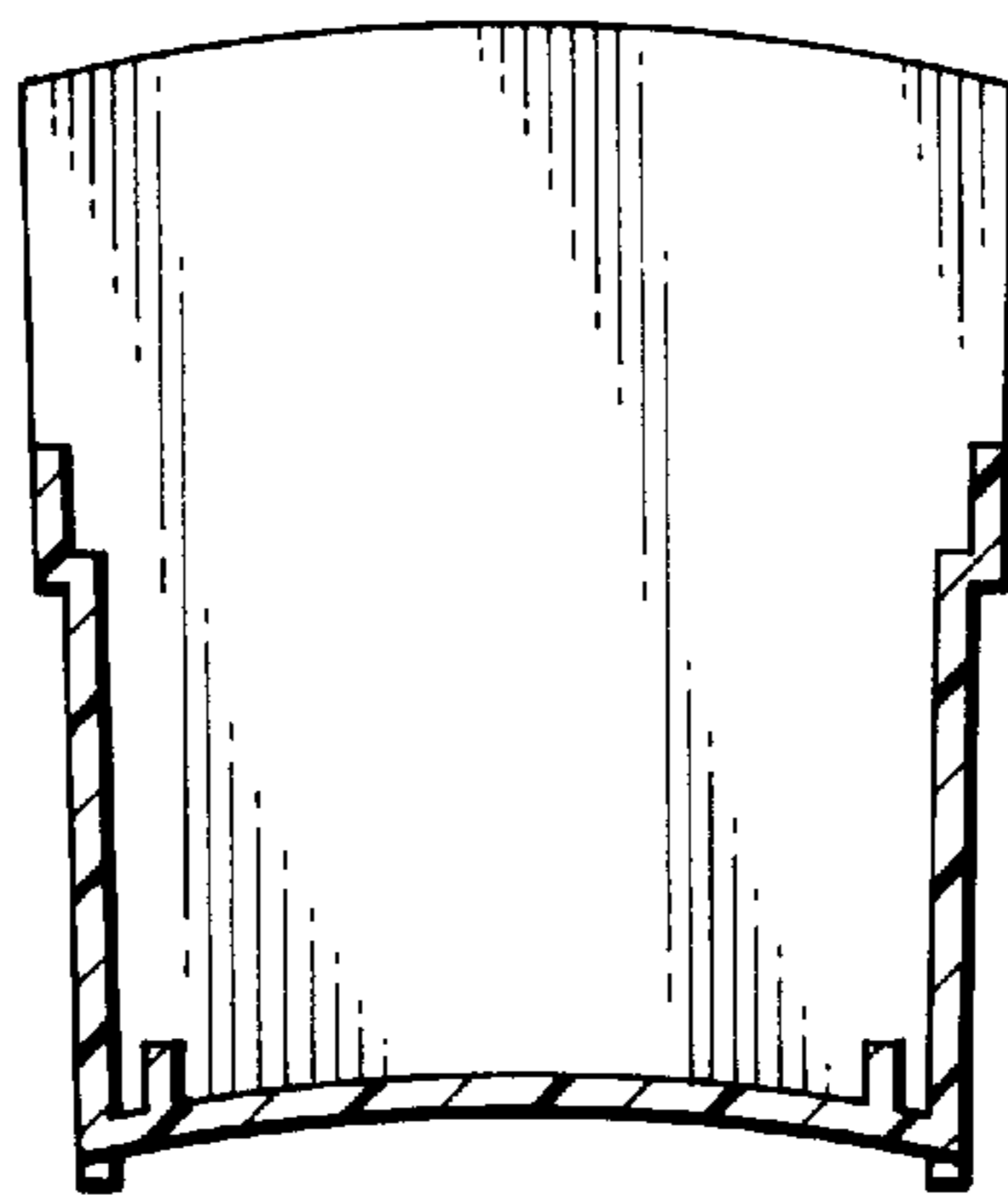


FIG. 8

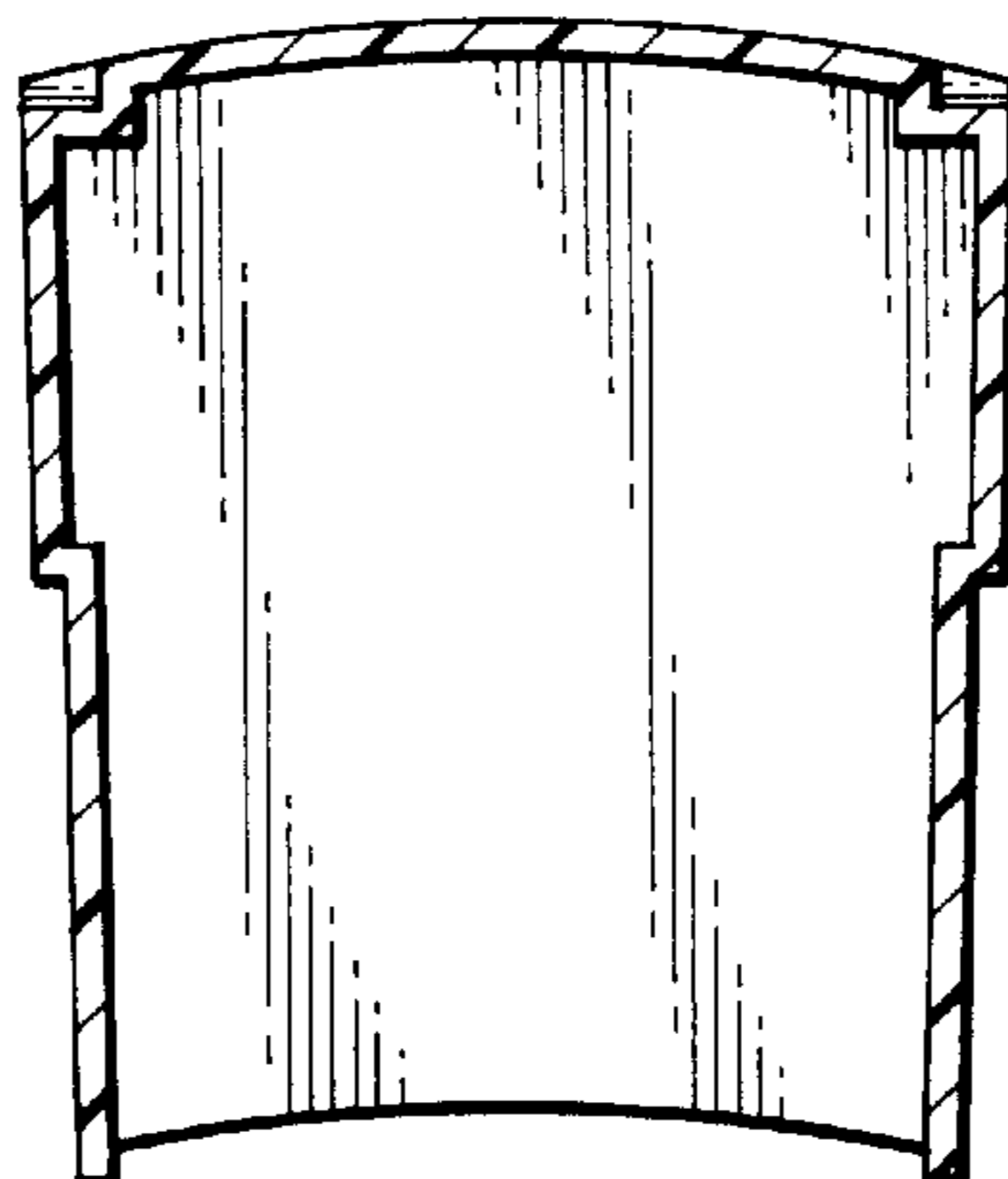


FIG. 9

