



US00D399864S

# United States Patent [19] Gotham

[11] **Patent Number: Des. 399,864**

[45] **Date of Patent: \*\*Oct. 20, 1998**

[54] **FILM SCANNER**

4,149,091 4/1979 Crean et al. .... 250/566

[75] Inventor: **David R. Gotham**, Rochester, N.Y.

*Primary Examiner*—Philip S. Hyder  
*Assistant Examiner*—Adir Aronovich  
*Attorney, Agent, or Firm*—Francis H. Boos, Jr.

[73] Assignee: **Eastman Kodak Company**, Rochester, N.Y.

[\*\*] Term: **14 Years**

[57] **CLAIM**

The ornamental design for a film scanner, as shown and described.

[21] Appl. No.: **79,557**

**DESCRIPTION**

[22] Filed: **Nov. 14, 1997**

[51] **LOC (6) Cl.** ..... **16-04**

[52] **U.S. Cl.** ..... **D16/246; D14/107**

[58] **Field of Search** ..... D14/105, 107;  
D16/246-250; 250/566, 568; 355/64, 65,  
231, 233; 358/408, 474, 497

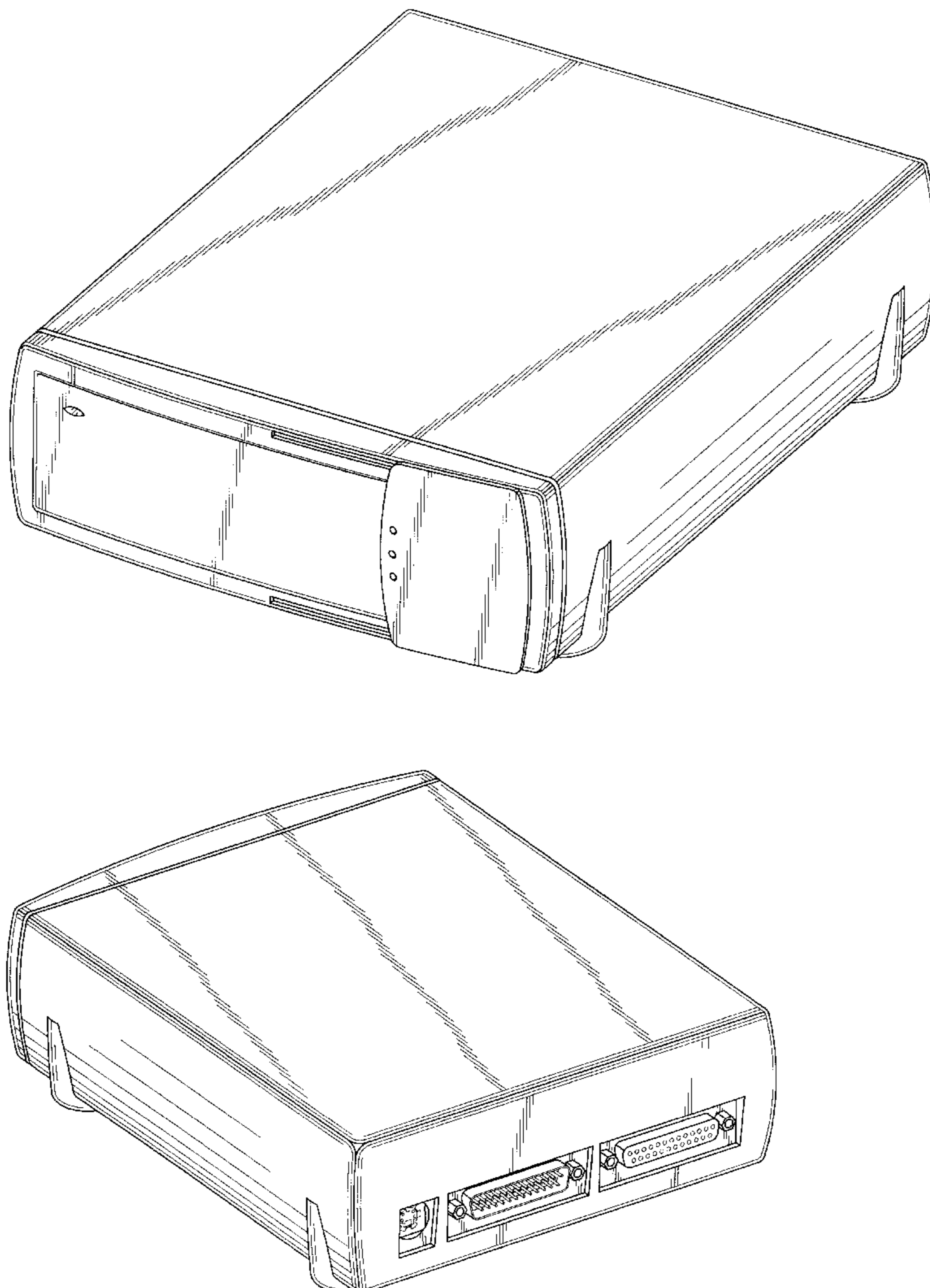
FIG. 1 is a front, top, right-side perspective view of a film scanner showing my new design;  
FIG. 2 is a rear, top, right-side perspective view thereof with film cartridge chamber access door closed;  
FIG. 3 is a front elevational view thereof;  
FIG. 4 is a rear elevational view thereof;  
FIG. 5 is a top plan view thereof;  
FIG. 6 is a bottom plan view thereof;  
FIG. 7 is a right-side elevation view thereof;  
FIG. 8 is a left-side elevation view thereof; and,  
FIG. 9 is a front, top, right-side perspective view thereof with film cartridge access door open.

[56] **References Cited**

**U.S. PATENT DOCUMENTS**

|            |         |                      |         |
|------------|---------|----------------------|---------|
| D. 219,180 | 11/1970 | Stewart et al. ....  | D16/246 |
| D. 356,783 | 3/1995  | Demar et al. ....    | D14/107 |
| D. 383,139 | 9/1997  | Hill et al. ....     | D14/107 |
| D. 383,452 | 9/1997  | Thompson et al. .... | D14/107 |

**1 Claim, 9 Drawing Sheets**



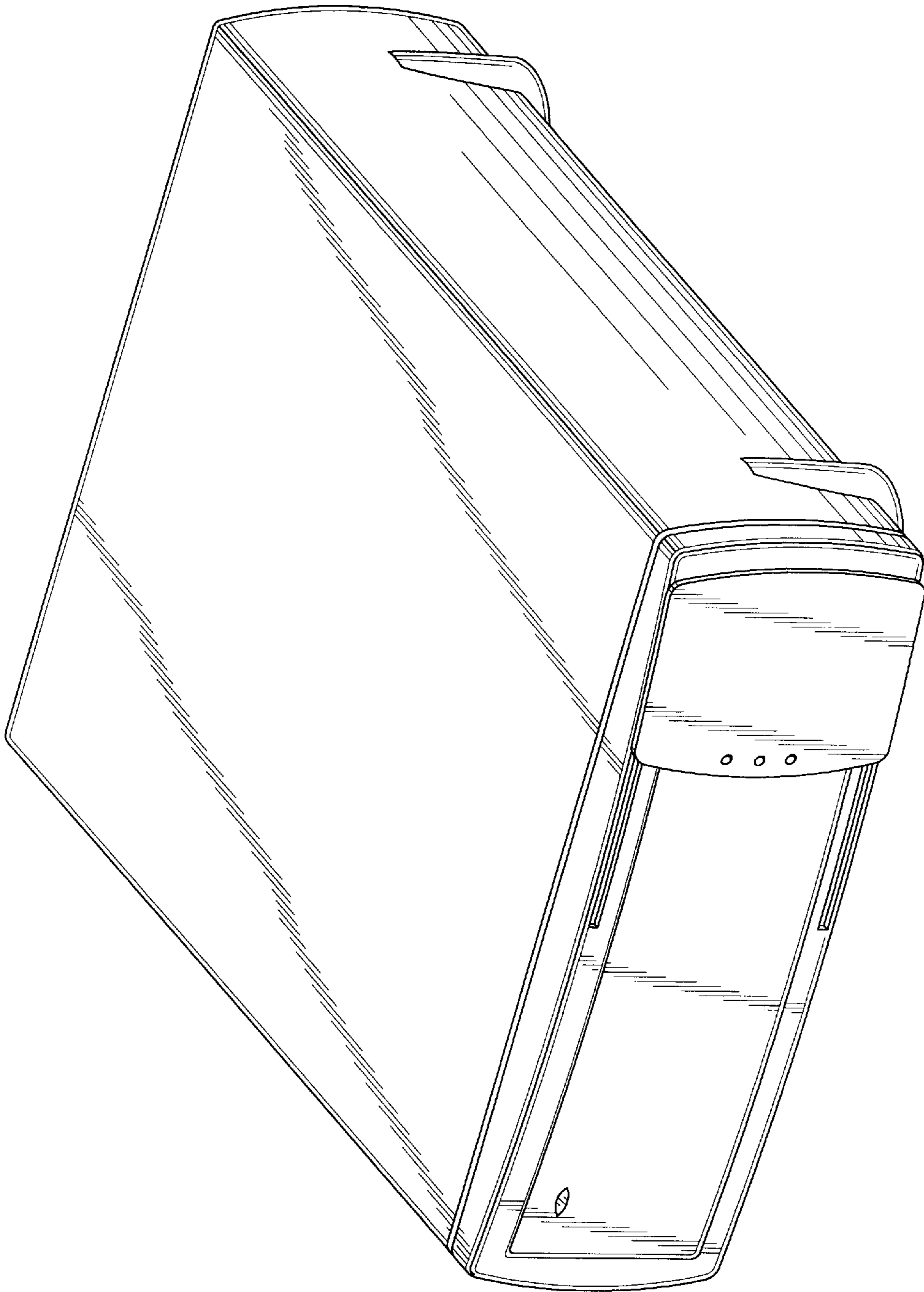


FIG. 1

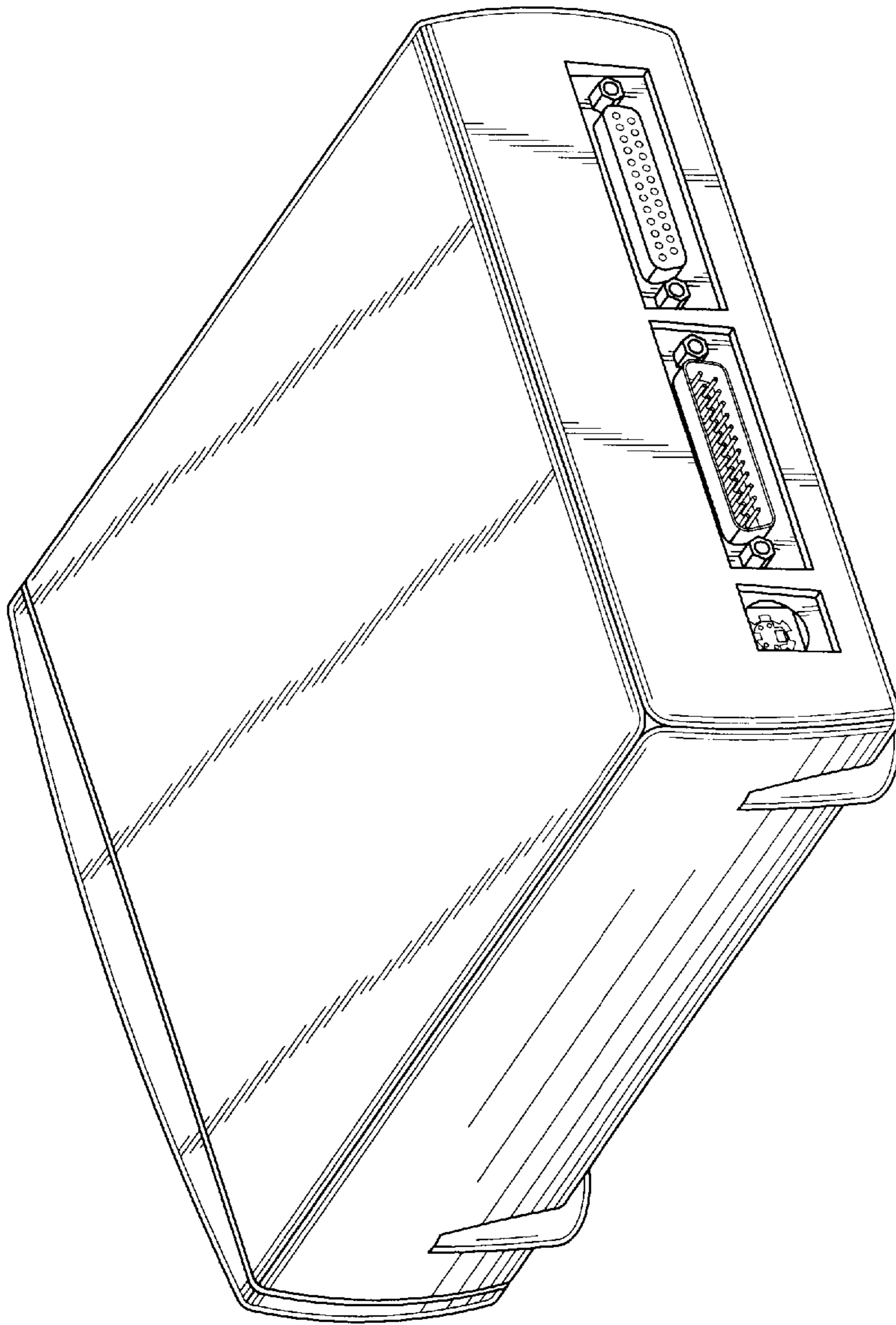


FIG. 2

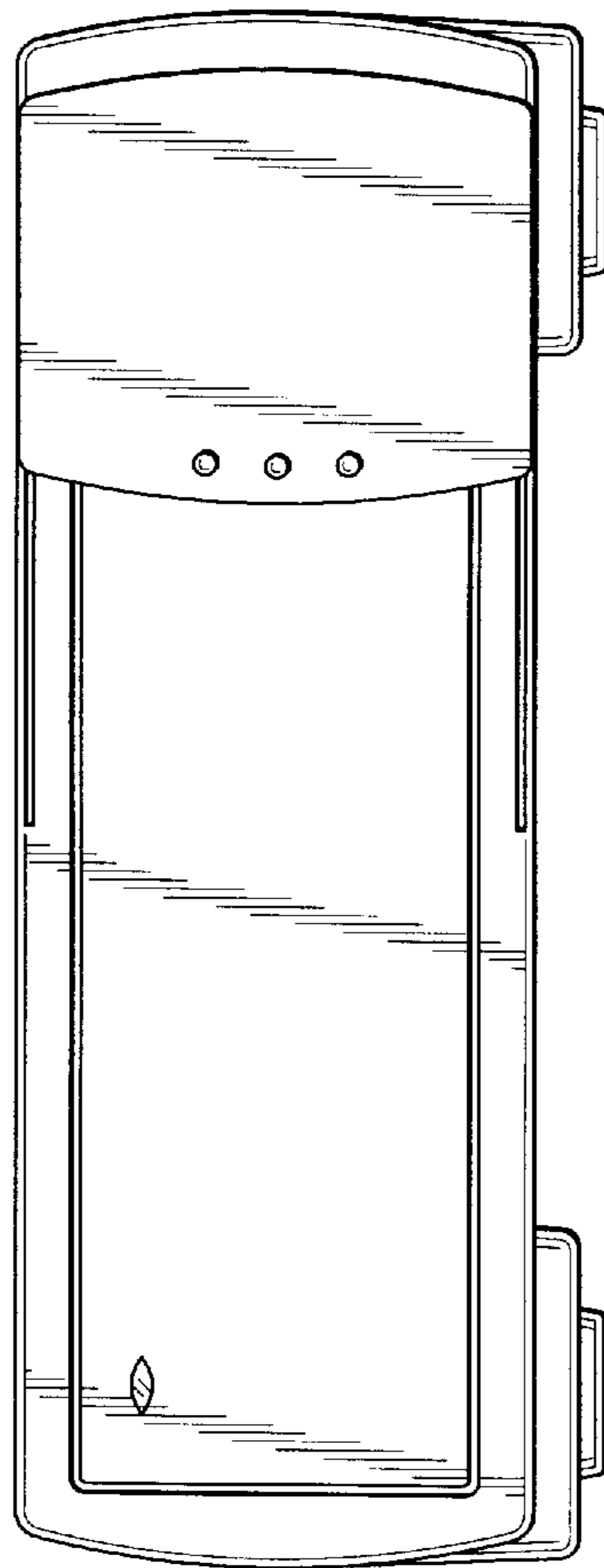


FIG. 3

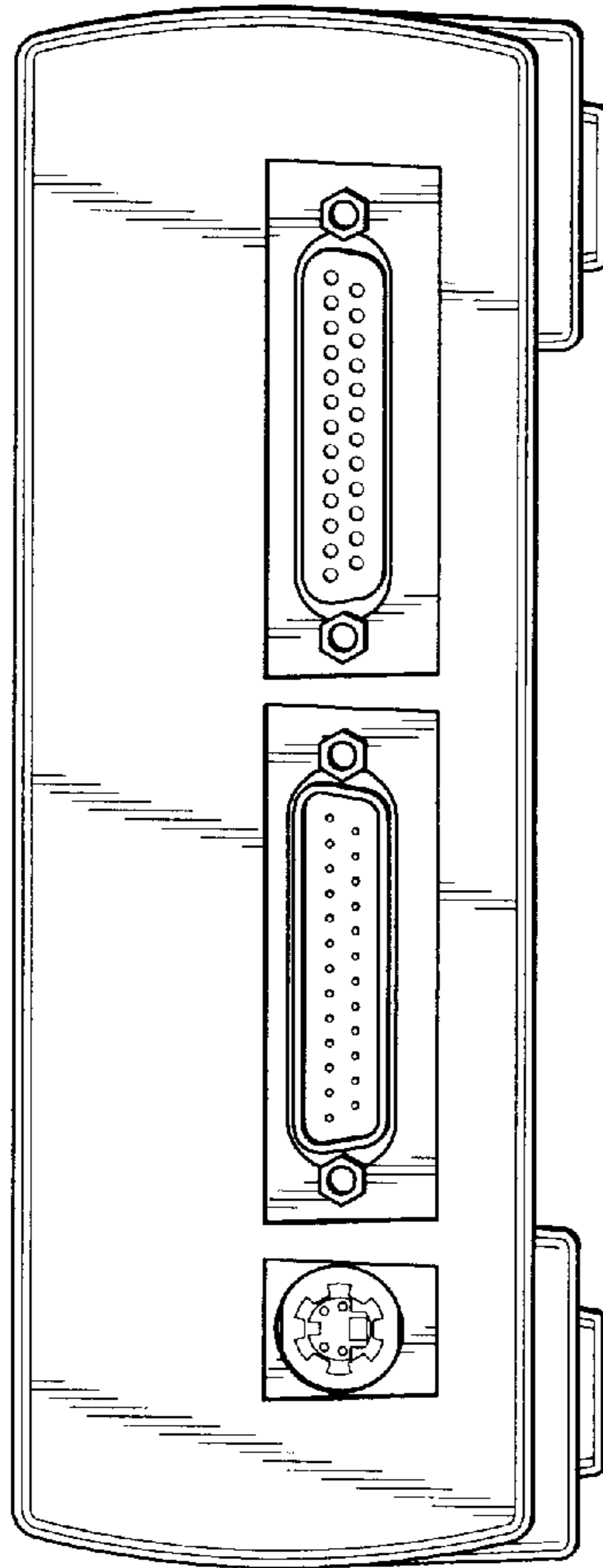
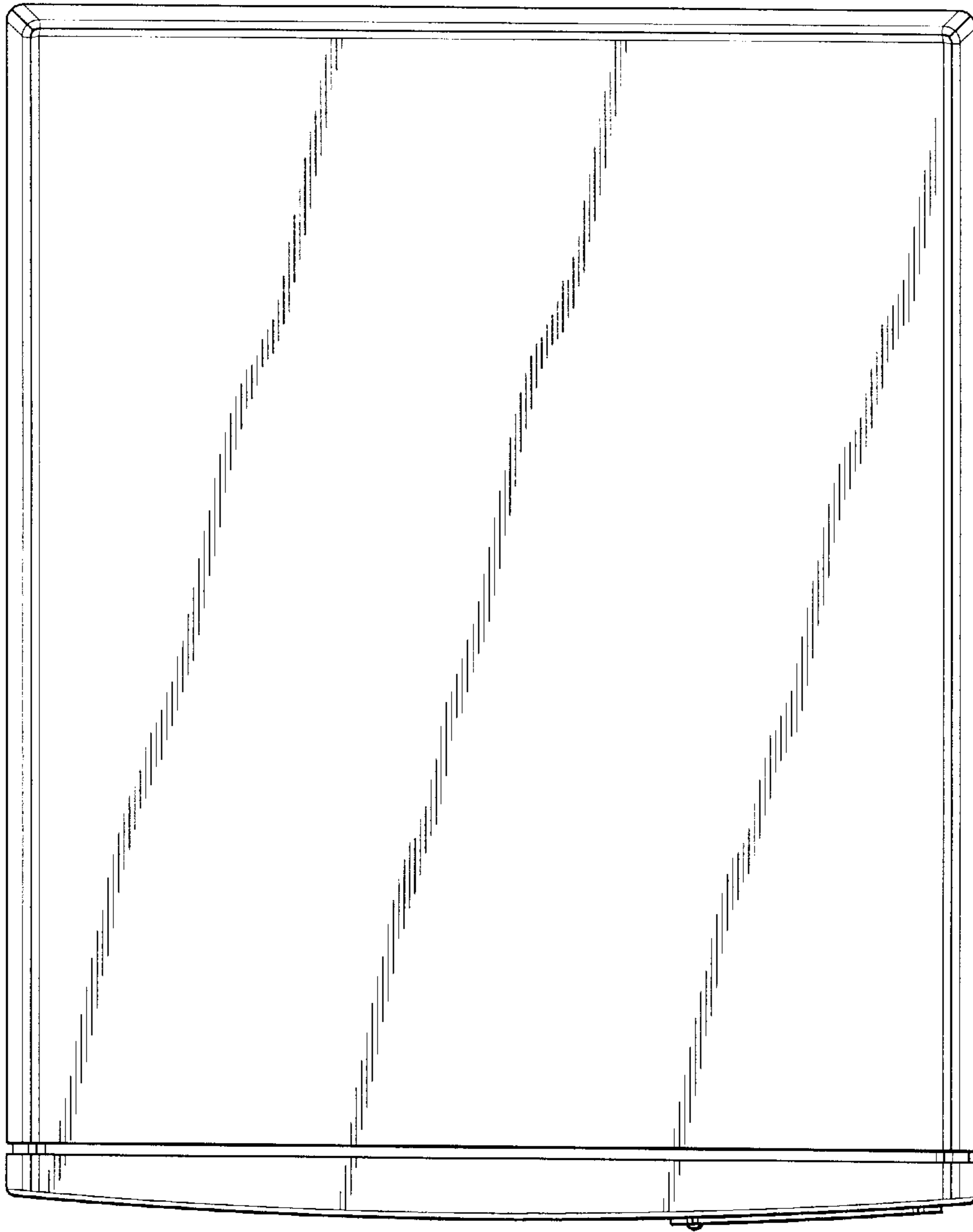
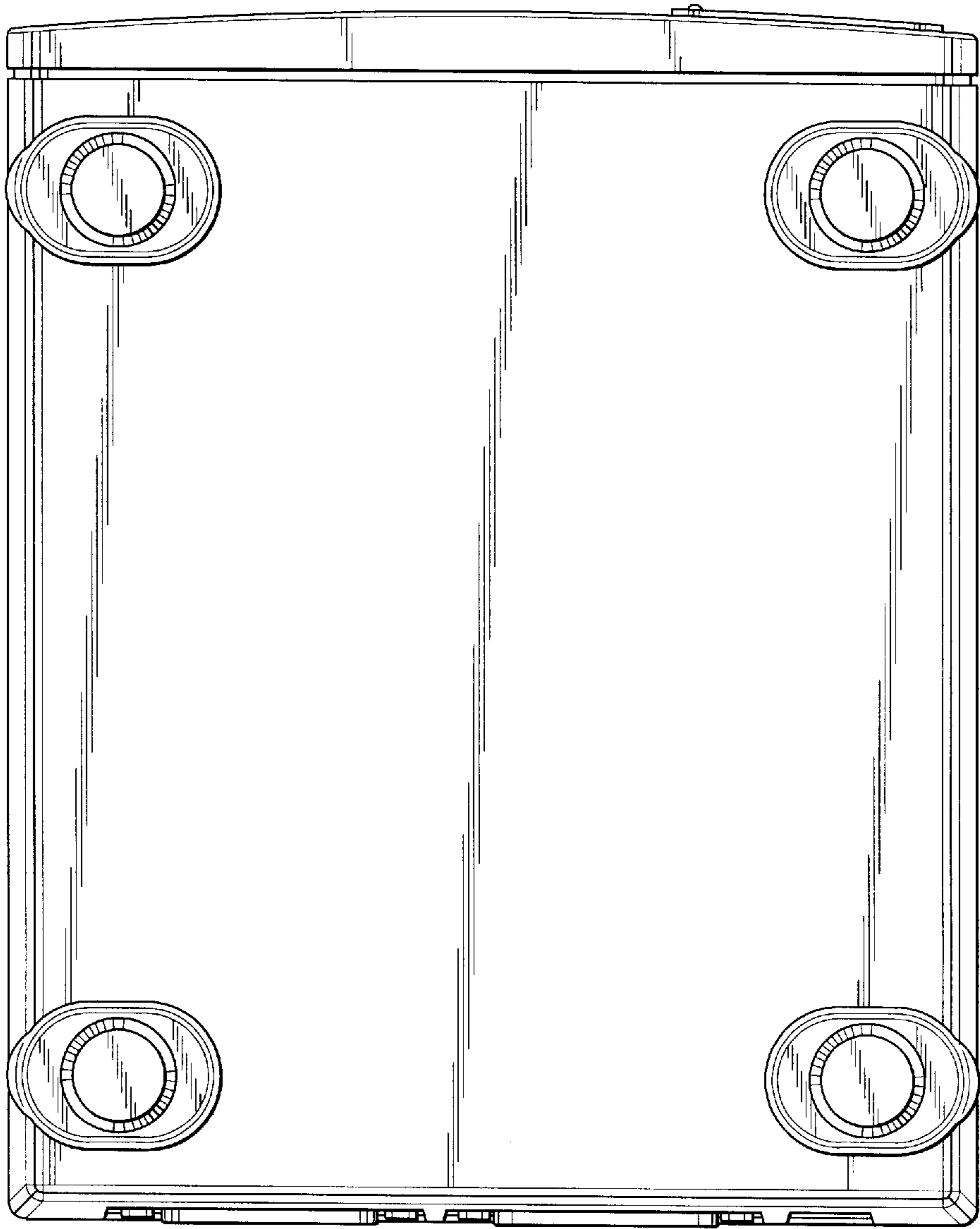


FIG. 4



*FIG. 5*



*FIG. 6*

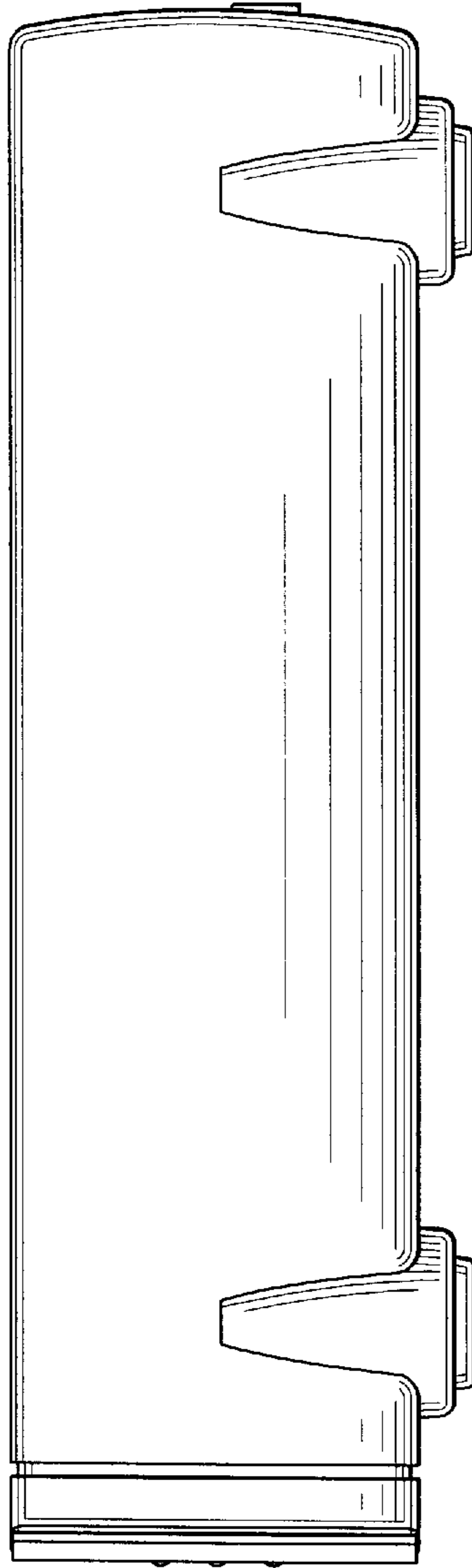


FIG. 7



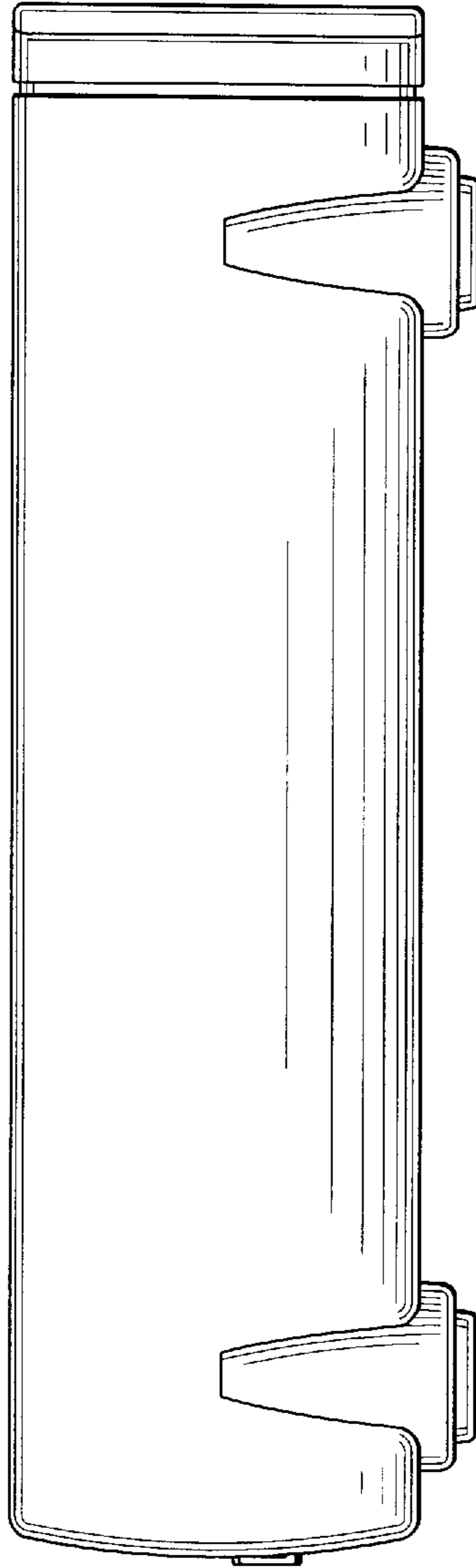


FIG. 8

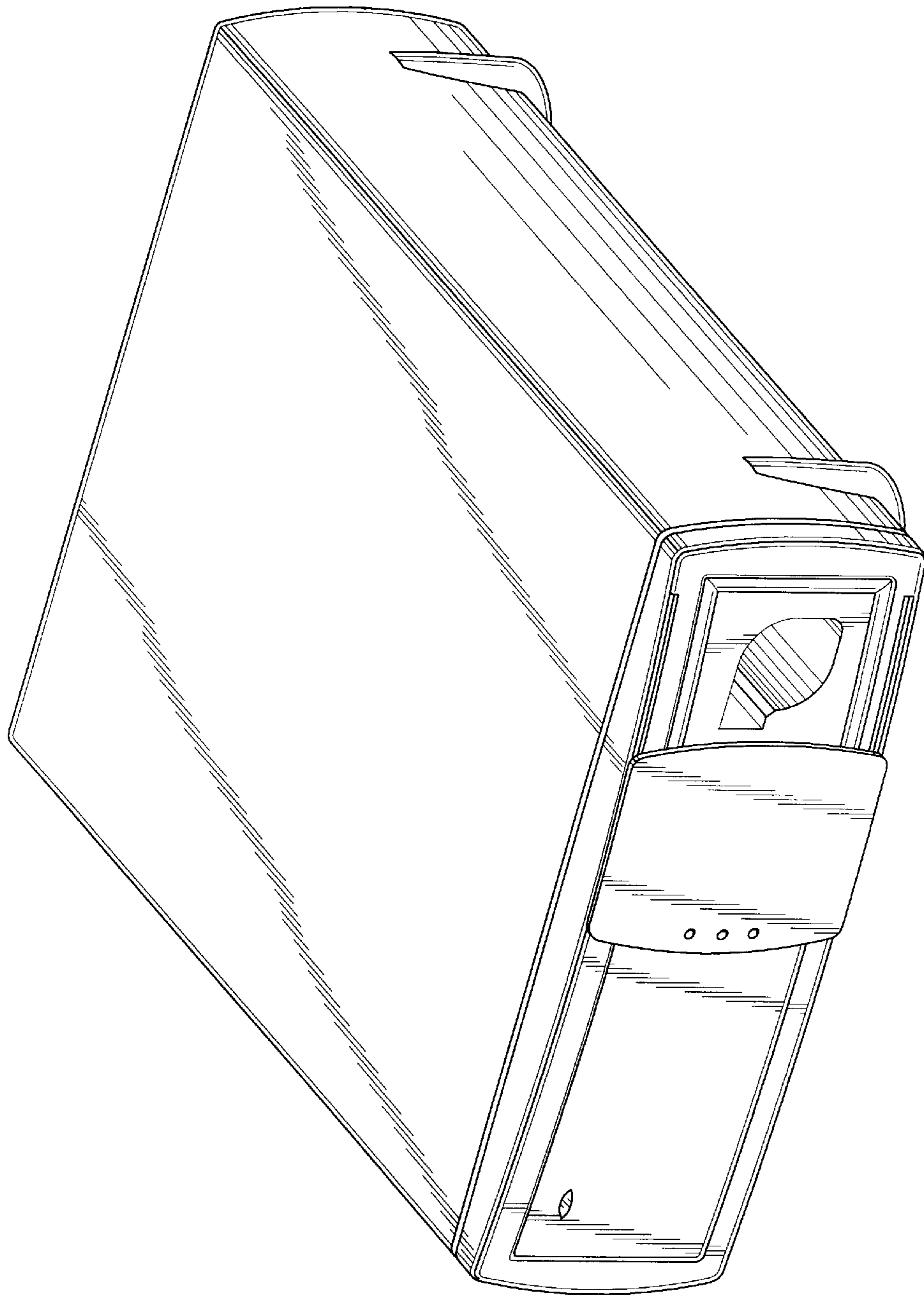


FIG. 9