



US00D399863S

United States Patent [19]
LaCicero

[11] **Patent Number: Des. 399,863**

[45] **Date of Patent: **Oct. 20, 1998**

[54] **CAMERA MOUNTING PLATFORM**

4,104,623 8/1978 Sloop 396/422
4,289,393 9/1981 Kawazoe 248/187.1
5,121,147 6/1992 Wada et al. 348/375

[76] Inventor: **Joseph LaCicero**, 117 W. 65 St.,
Kansas City, Mo. 64113

[**] Term: **14 Years**

Primary Examiner—Ted Shooman
Assistant Examiner—Adir Aronovich
Attorney, Agent, or Firm—Richard P. Stitt

[21] Appl. No.: **70,384**

[57] **CLAIM**

[22] Filed: **Apr. 30, 1997**

The ornamental design for a camera mounting platform, as shown and described.

Related U.S. Application Data

DESCRIPTION

[62] Division of Ser. No. 714,195, Sep. 16, 1996, abandoned.

[51] **LOC (6) Cl.** **16-05**

[52] **U.S. Cl.** **D16/242; D8/354**

[58] **Field of Search** D8/349, 354; D16/237,
D16/242, 243; 248/187.1, 300, 316.1, 309.1;
396/419, 428, 422; 348/373-376

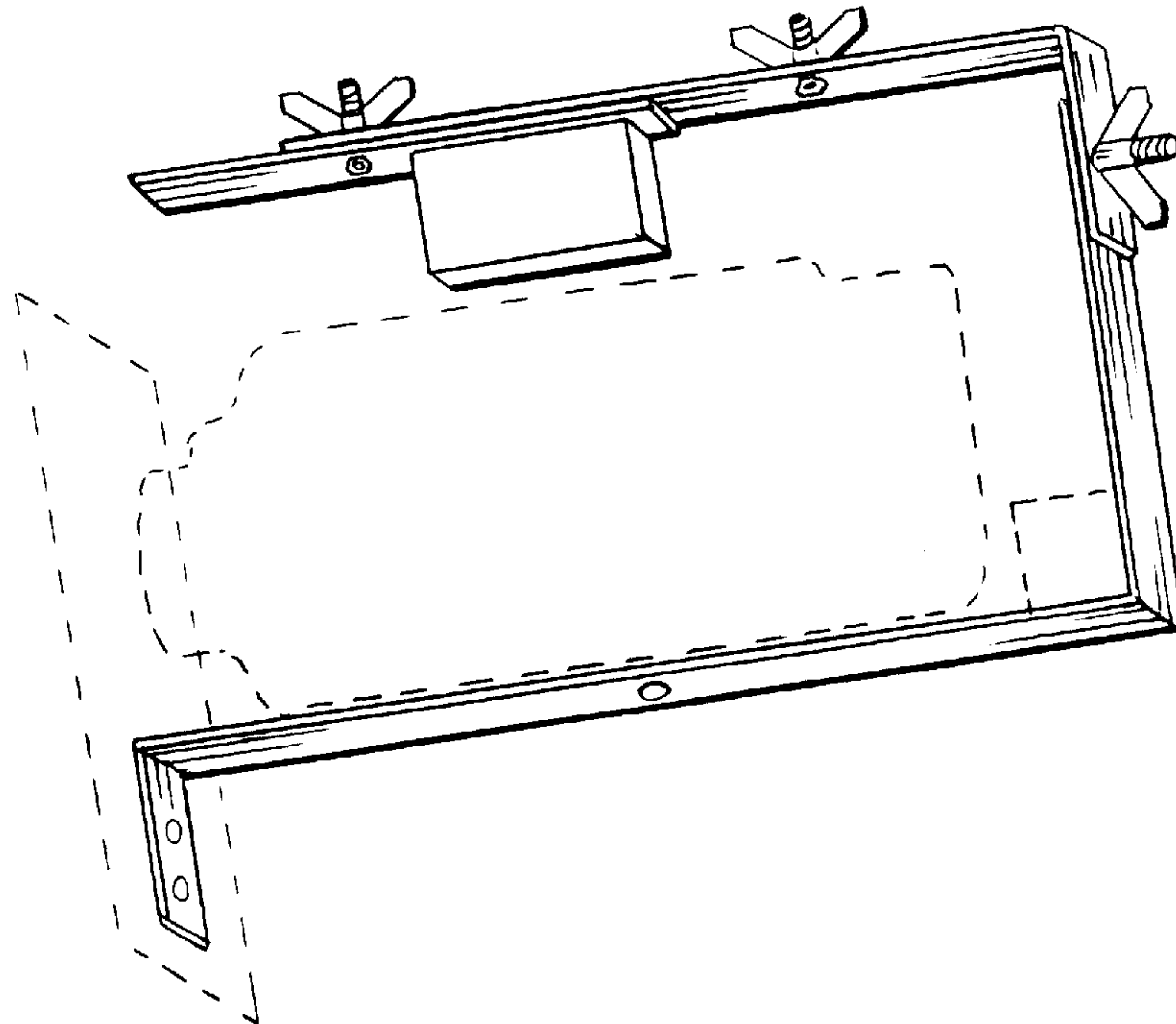
FIG. 1 is a right side, rear, and bottom perspective view of the camera mounting platform showing my new design, the broken-line disclosure of a video camera, a protective glass and a battery box shown in FIG. 1 is for illustrative purposes only and forms no part of the claimed design; FIG. 2 is a front elevational view thereof; FIG. 3 is a rear elevational view thereof; FIG. 4 is a right side elevational view thereof; FIG. 5 is a left side elevational view thereof; FIG. 6 is a top plan view thereof; and, FIG. 7 is a bottom plan view thereof.

[56] **References Cited**

U.S. PATENT DOCUMENTS

D. 150,051 6/1948 Bensen D16/239
D. 285,411 9/1986 Mahoney D8/354
1,784,716 12/1930 West 248/300

1 Claim, 2 Drawing Sheets



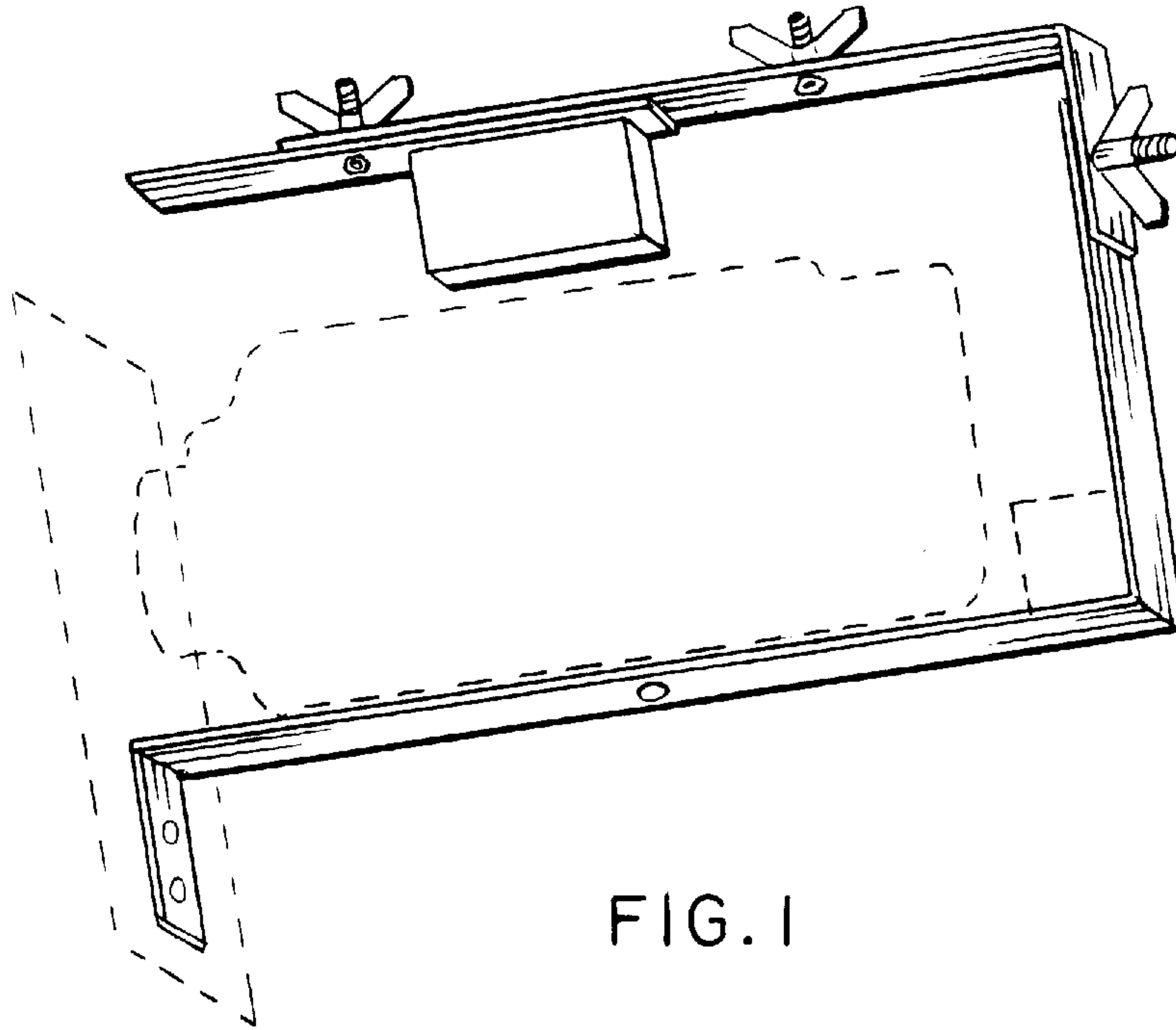


FIG. 1



FIG. 2



FIG. 3

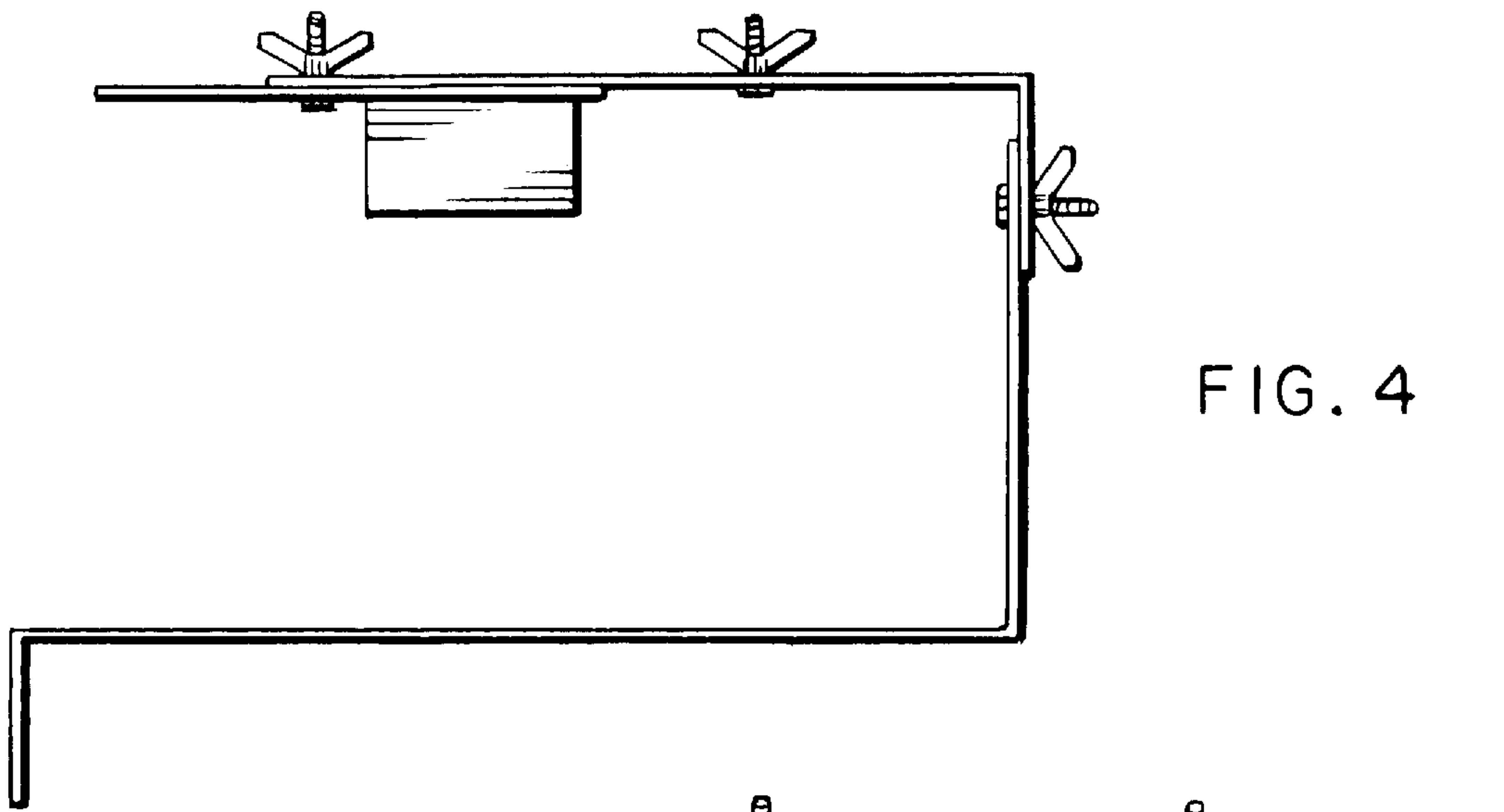


FIG. 4

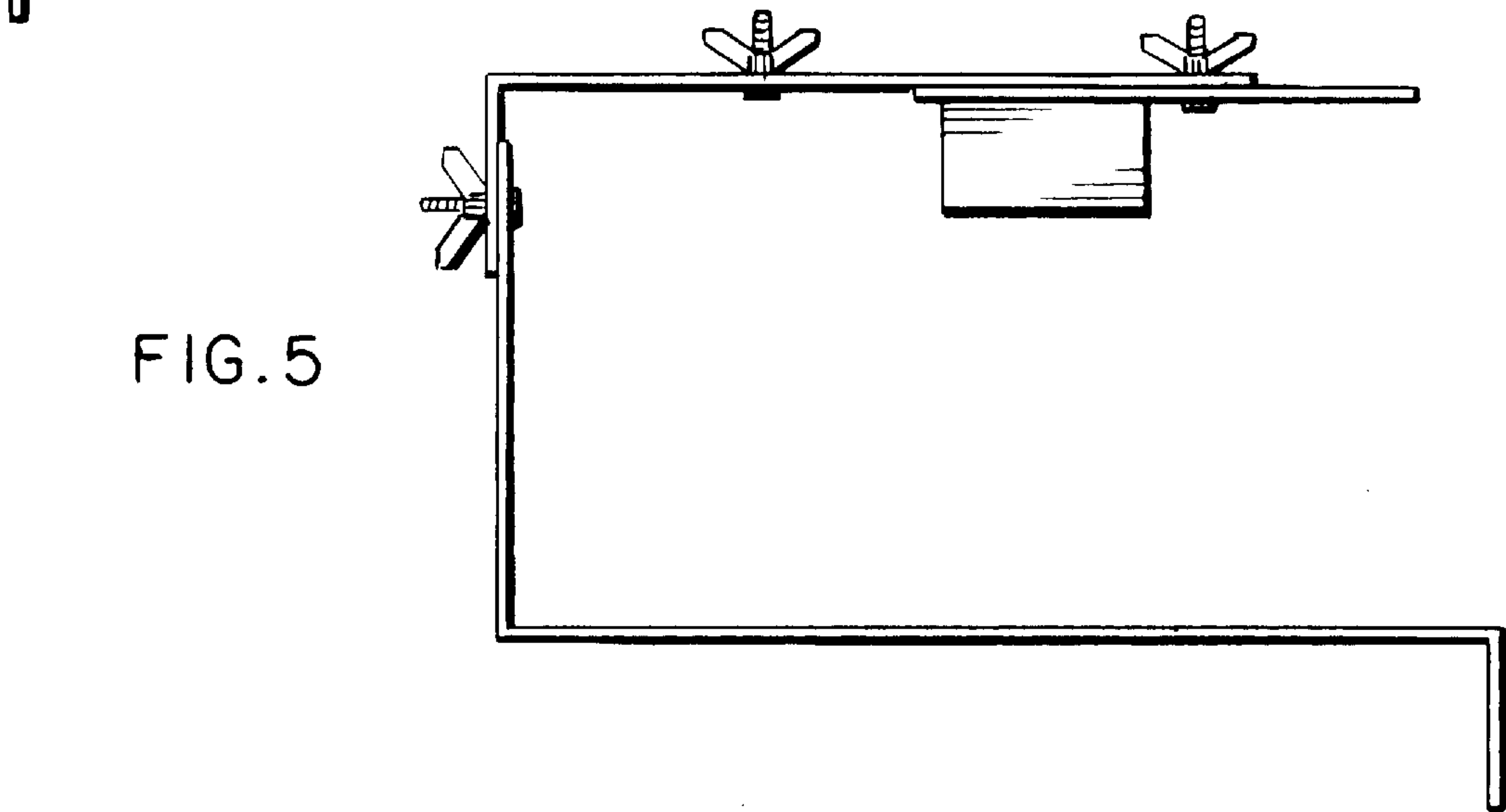


FIG. 5



FIG. 6



FIG. 7