



US00D399861S

# United States Patent [19] Nihei

[11] **Patent Number: Des. 399,861**

[45] **Date of Patent: \*\*Oct. 20, 1998**

[54] **CAMERA**

[75] Inventor: **Kazuhiro Nihei**, Tokyo, Japan

[73] Assignee: **Konica Corporation**, Tokyo, Japan

[\*\*] Term: **14 Years**

[21] Appl. No.: **74,826**

[22] Filed: **Jul. 25, 1997**

[30] **Foreign Application Priority Data**

Feb. 12, 1997 [JP] Japan ..... 9-3859

[51] **LOC (6) Cl.** ..... **16-01**

[52] **U.S. Cl.** ..... **D16/209; D16/218**

[58] **Field of Search** ..... **D16/200-205,  
D16/208, 209, 210, 211, 216-218; D21/110;  
396/25-29, 176-178, 535-543**

[56] **References Cited**

**U.S. PATENT DOCUMENTS**

D. 320,610	10/1991	Chan	.....	D16/218
D. 321,704	11/1991	Leonard et al.	.....	D16/200
D. 372,724	8/1996	Funato et al.	.....	D16/209
D. 373,130	8/1996	Jin	.....	D16/218
D. 377,363	1/1997	Isozaki et al.	.....	D16/209
4,980,707	12/1990	Gell, Jr.	.....	396/26

**OTHER PUBLICATIONS**

W. Bell & Co., (Canon's 35 mm Snappy S) p. 234, 1987-88.

*Primary Examiner*—Ted Shooman  
*Assistant Examiner*—Adir Aronovich

*Attorney, Agent, or Firm*—Frishauf, Holtz, Goodman, Langer & Chick

[57] **CLAIM**

The ornamental design for a camera, as shown and described.

**DESCRIPTION**

FIG. 1 is a front, top, right side perspective view of a camera showing my new design;

FIG. 2 is a rear, top, left side perspective view thereof;

FIG. 3 is a left side view thereof;

FIG. 4 is a front elevational view thereof;

FIG. 5 is a right side view thereof;

FIG. 6 is a rear elevational view thereof;

FIG. 7 is a top plan view thereof;

FIG. 8 is a bottom plan view thereof;

FIG. 9 is a front elevational view thereof with the flash unit in an operative position;

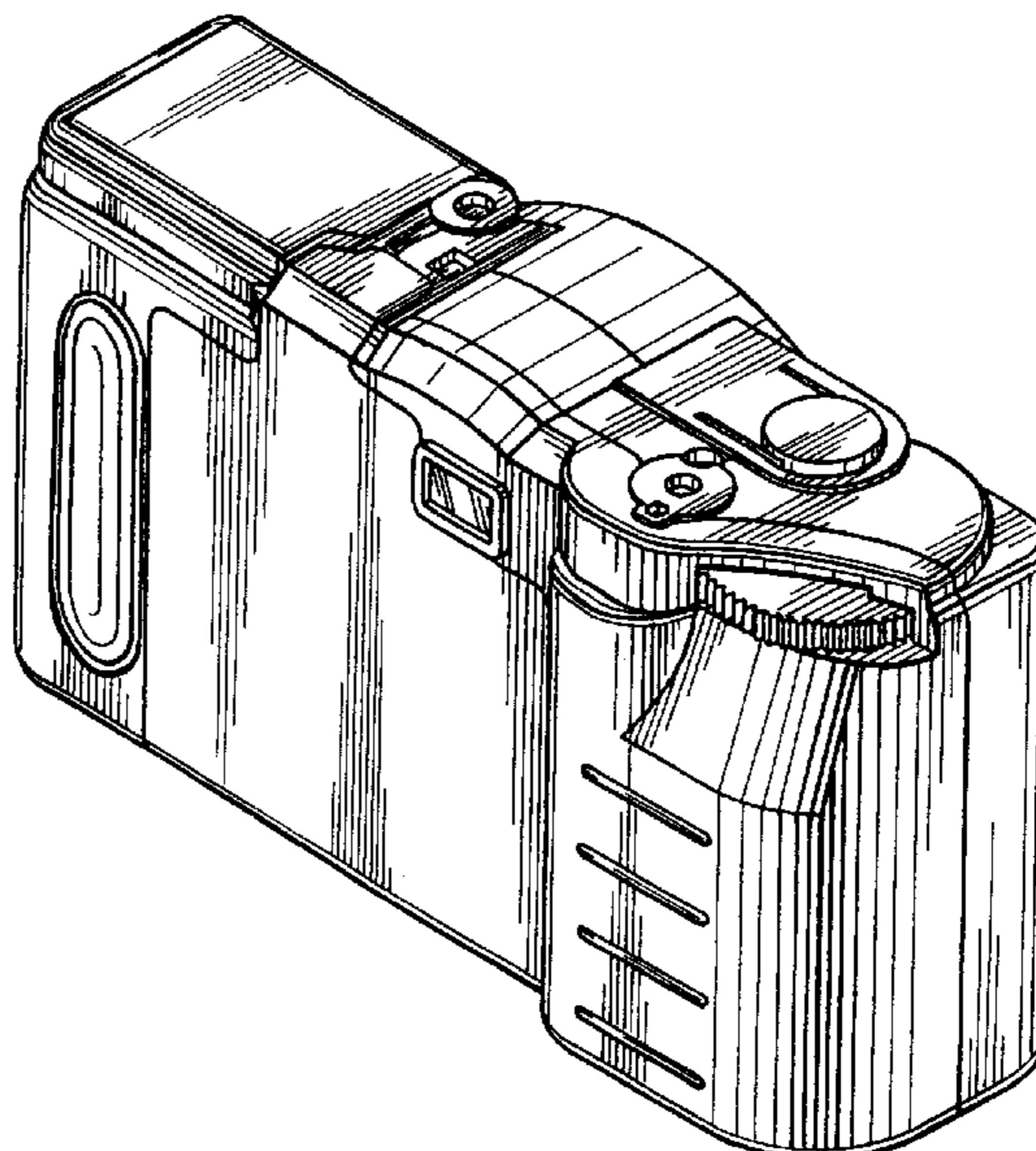
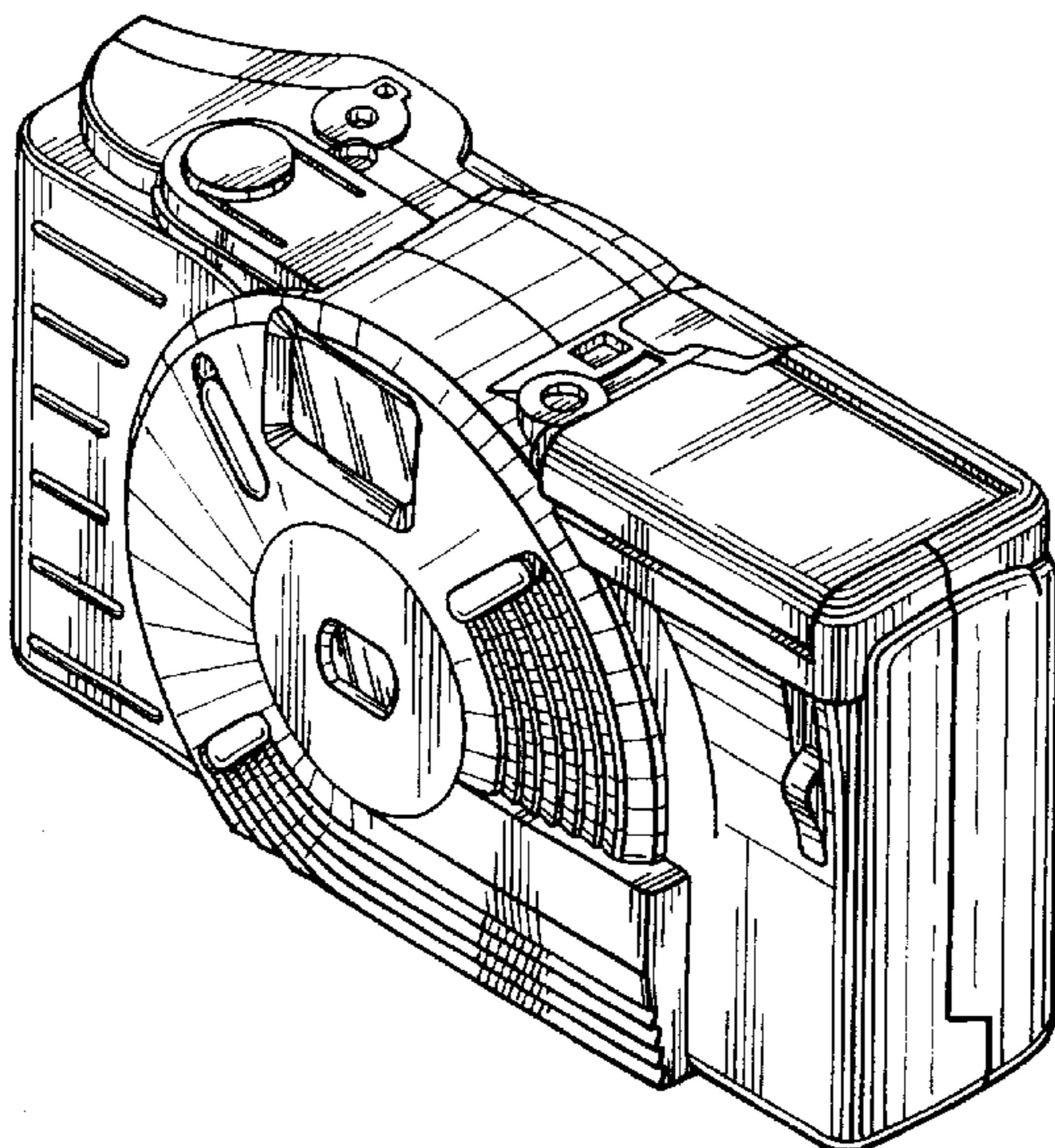
FIG. 10 is a right side view thereof;

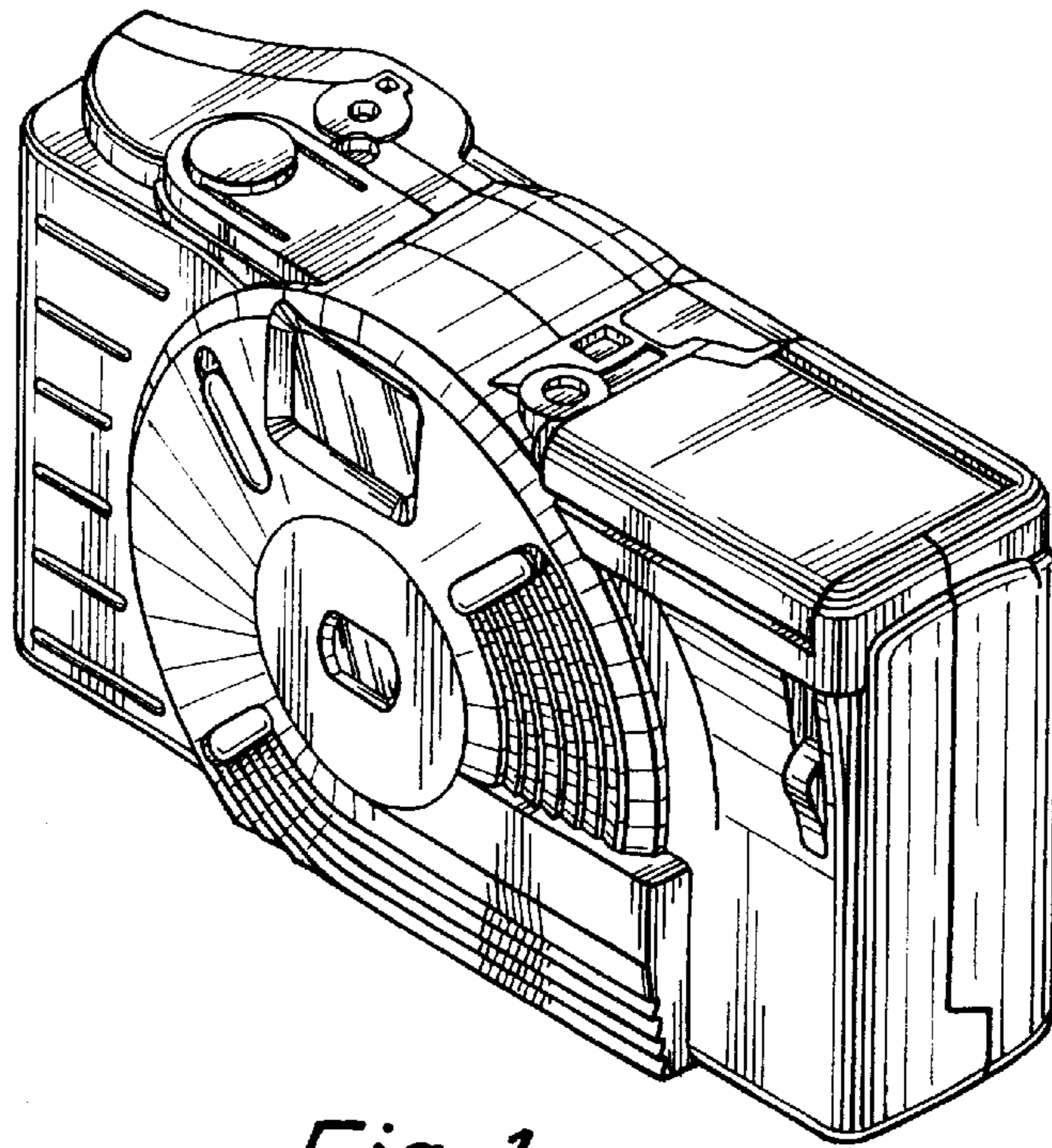
FIG. 11 is a left side view thereof;

FIG. 12 is a top plan view thereof; and,

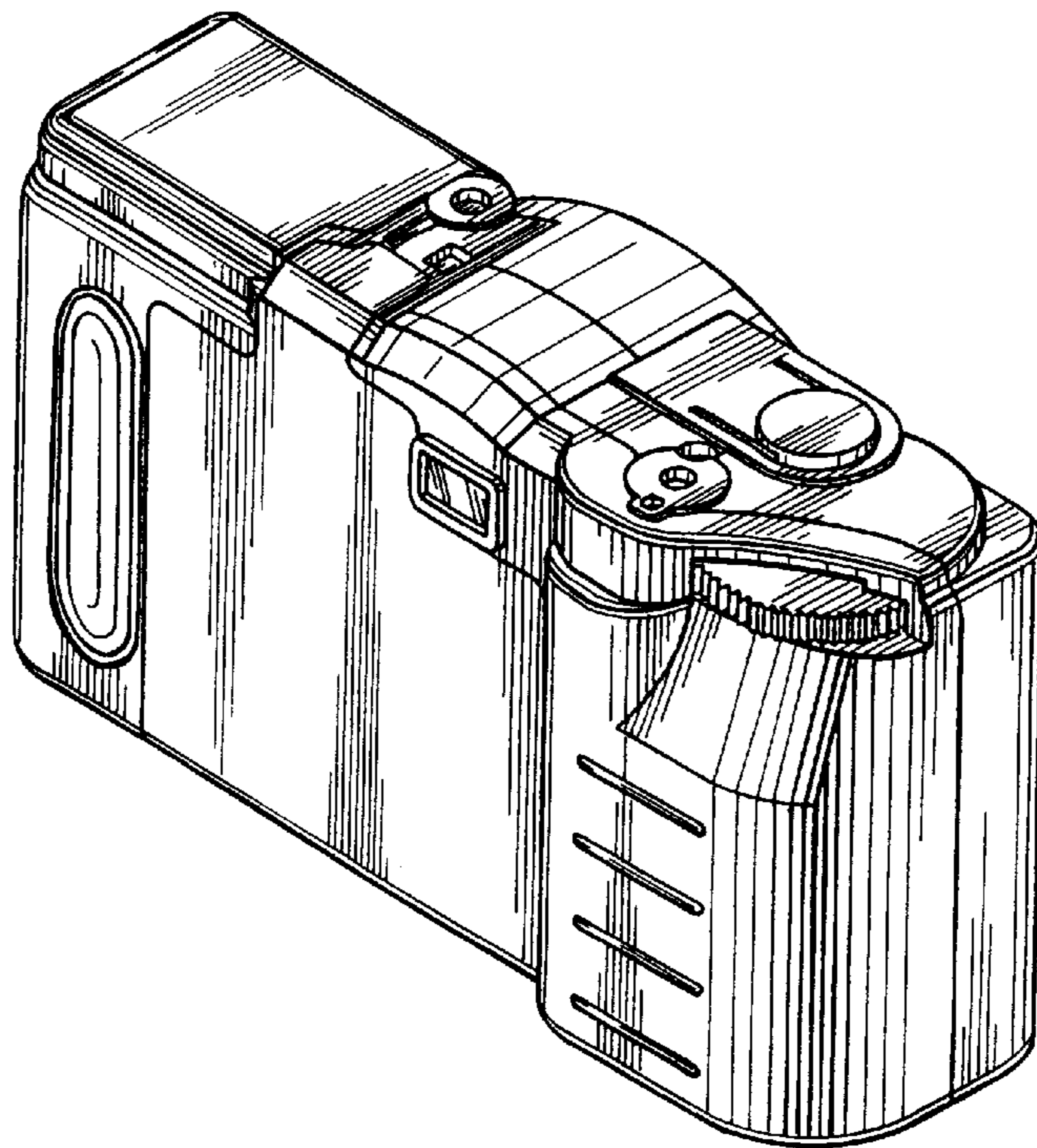
FIG. 13 is a rear elevational view thereof.

**1 Claim, 4 Drawing Sheets**

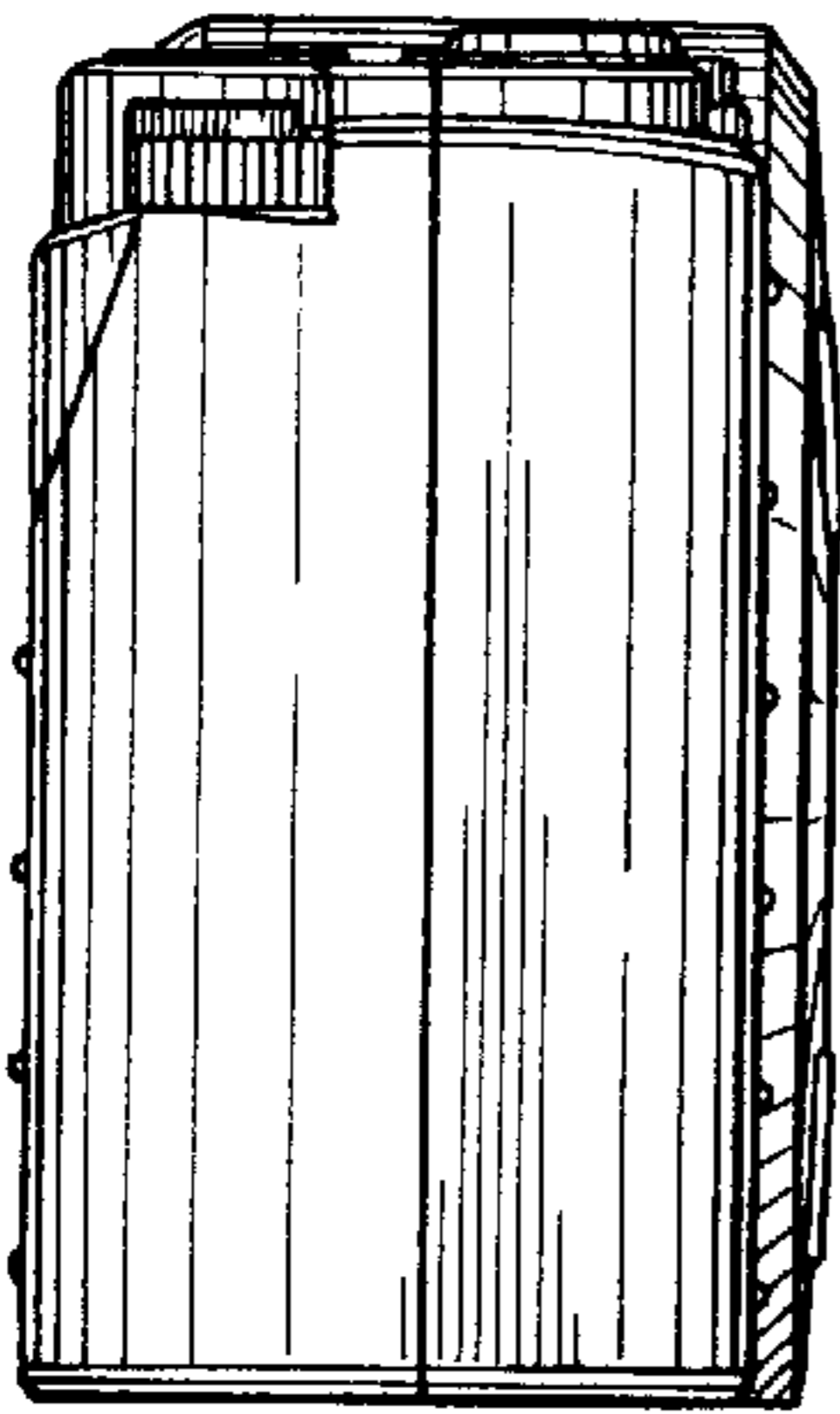




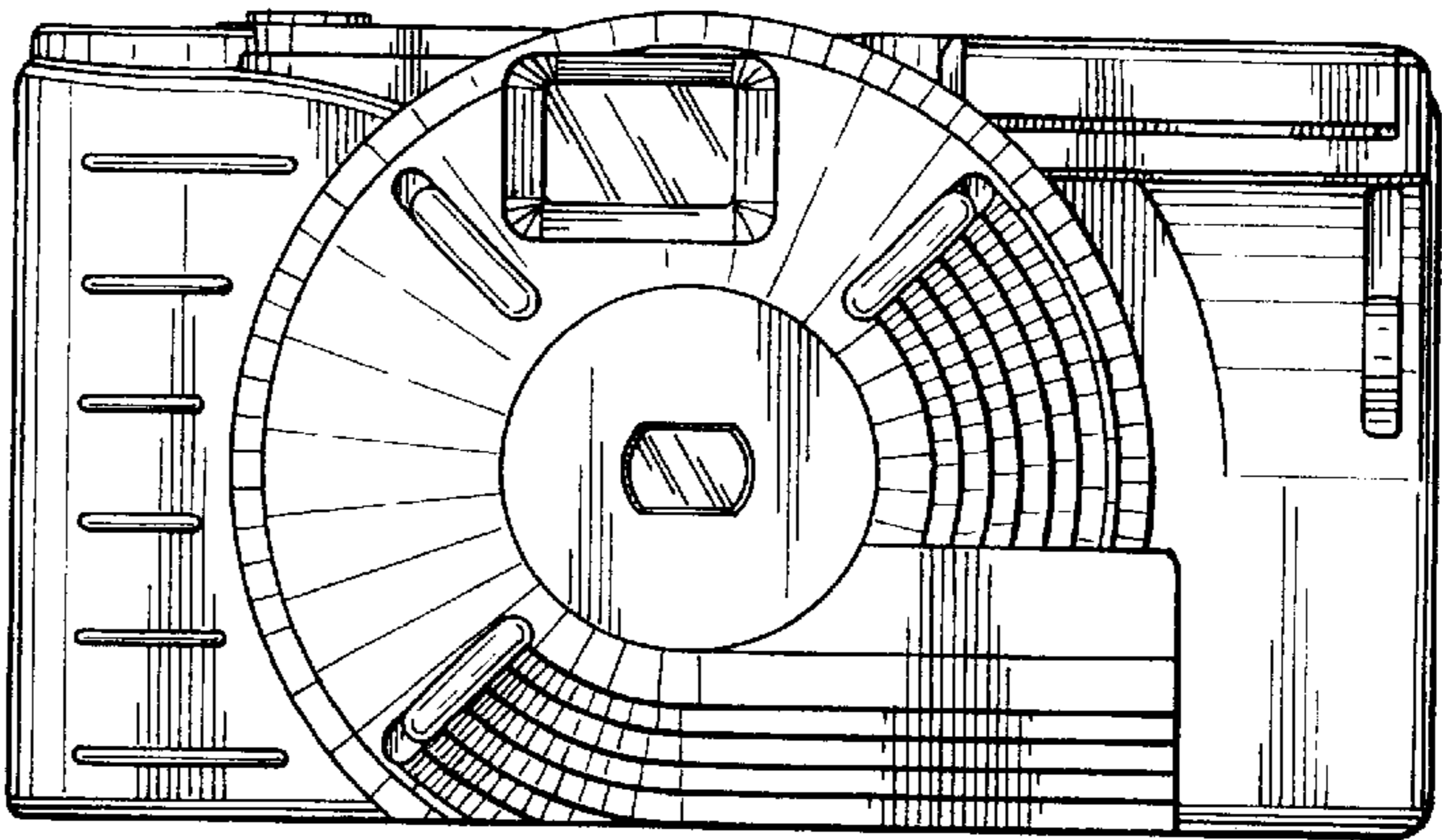
*Fig. 1*



*Fig. 2*



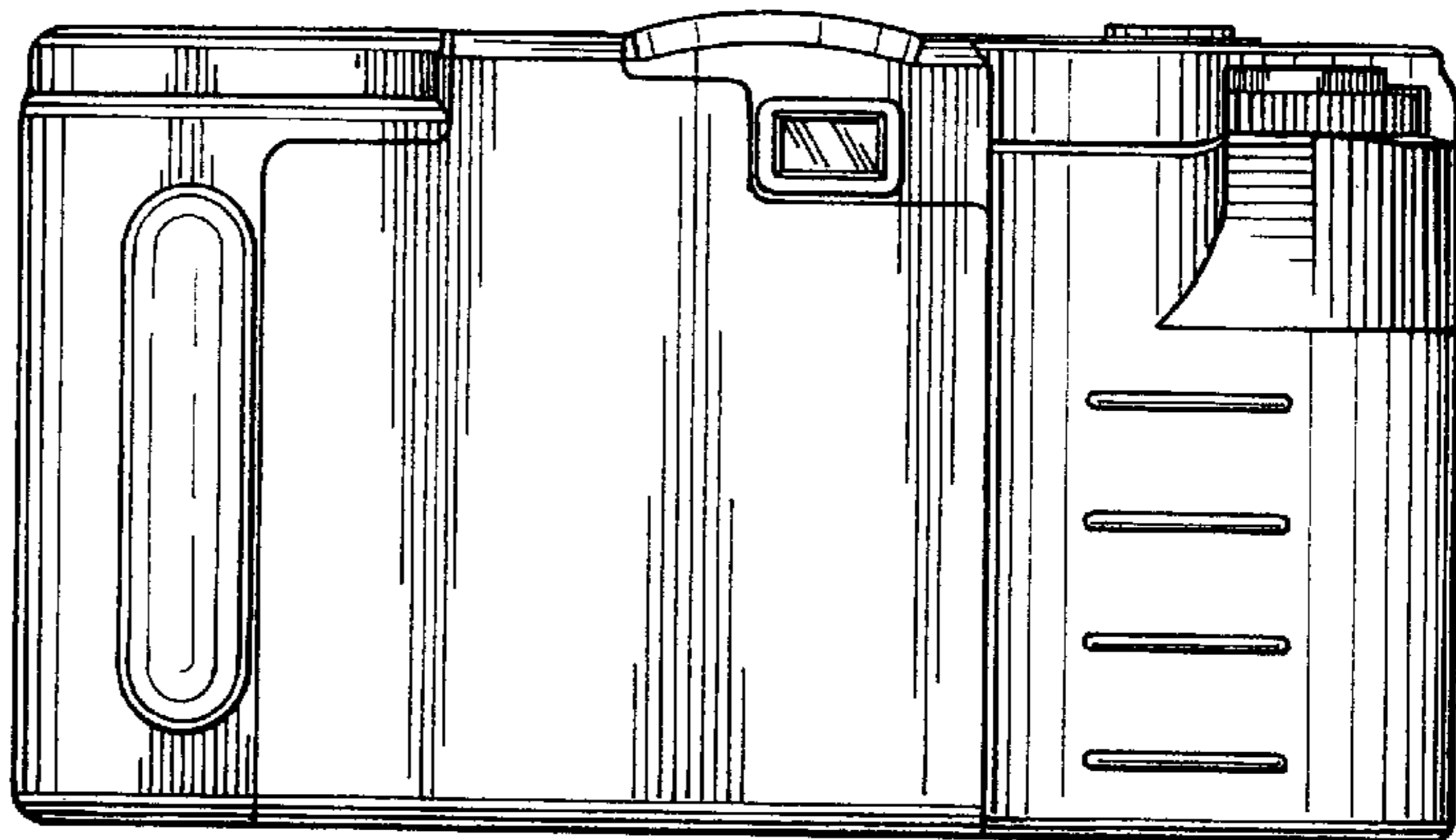
*Fig. 3*



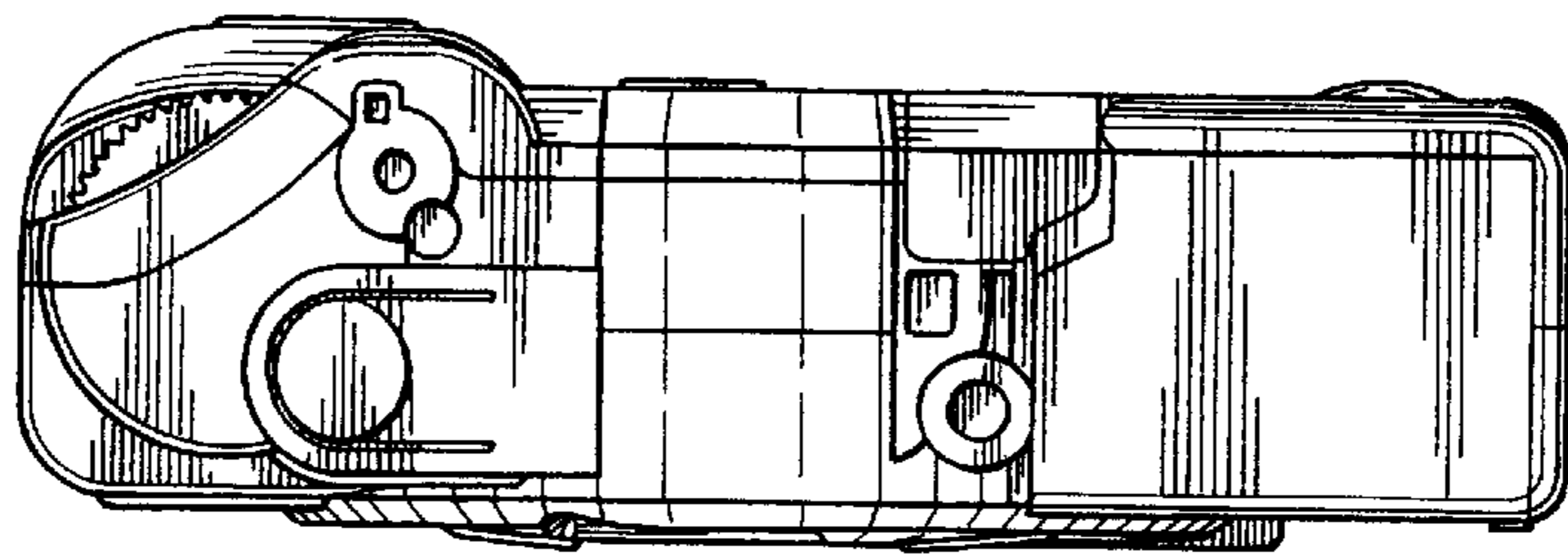
*Fig. 4*



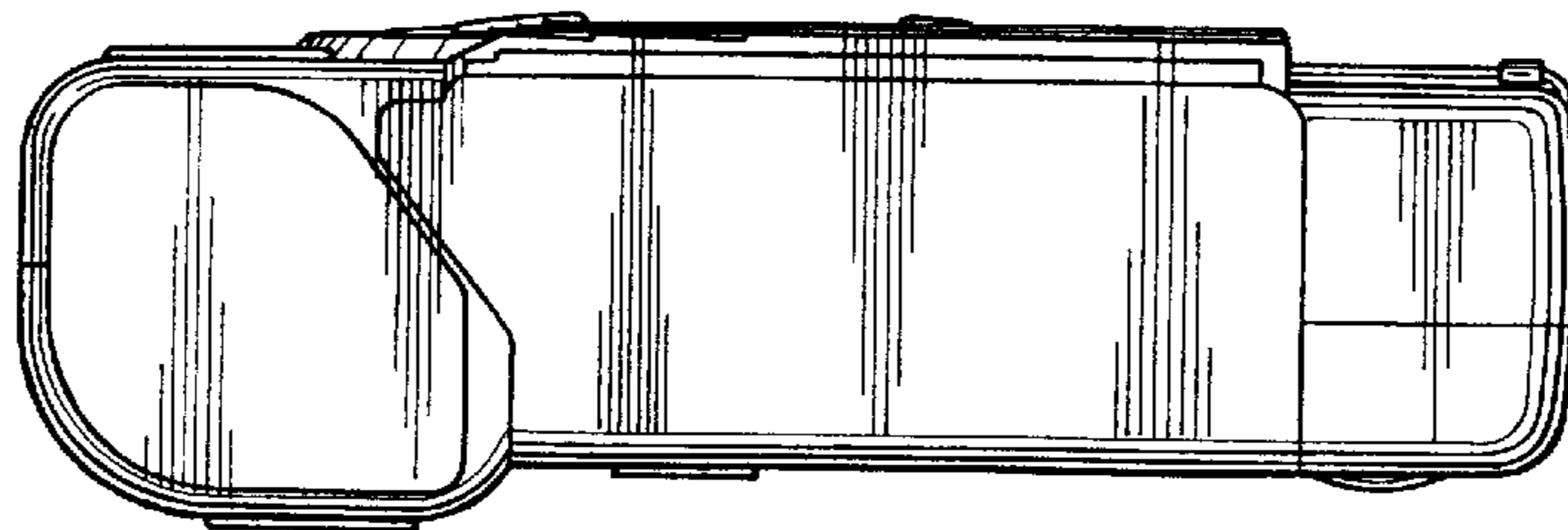
*Fig. 5*



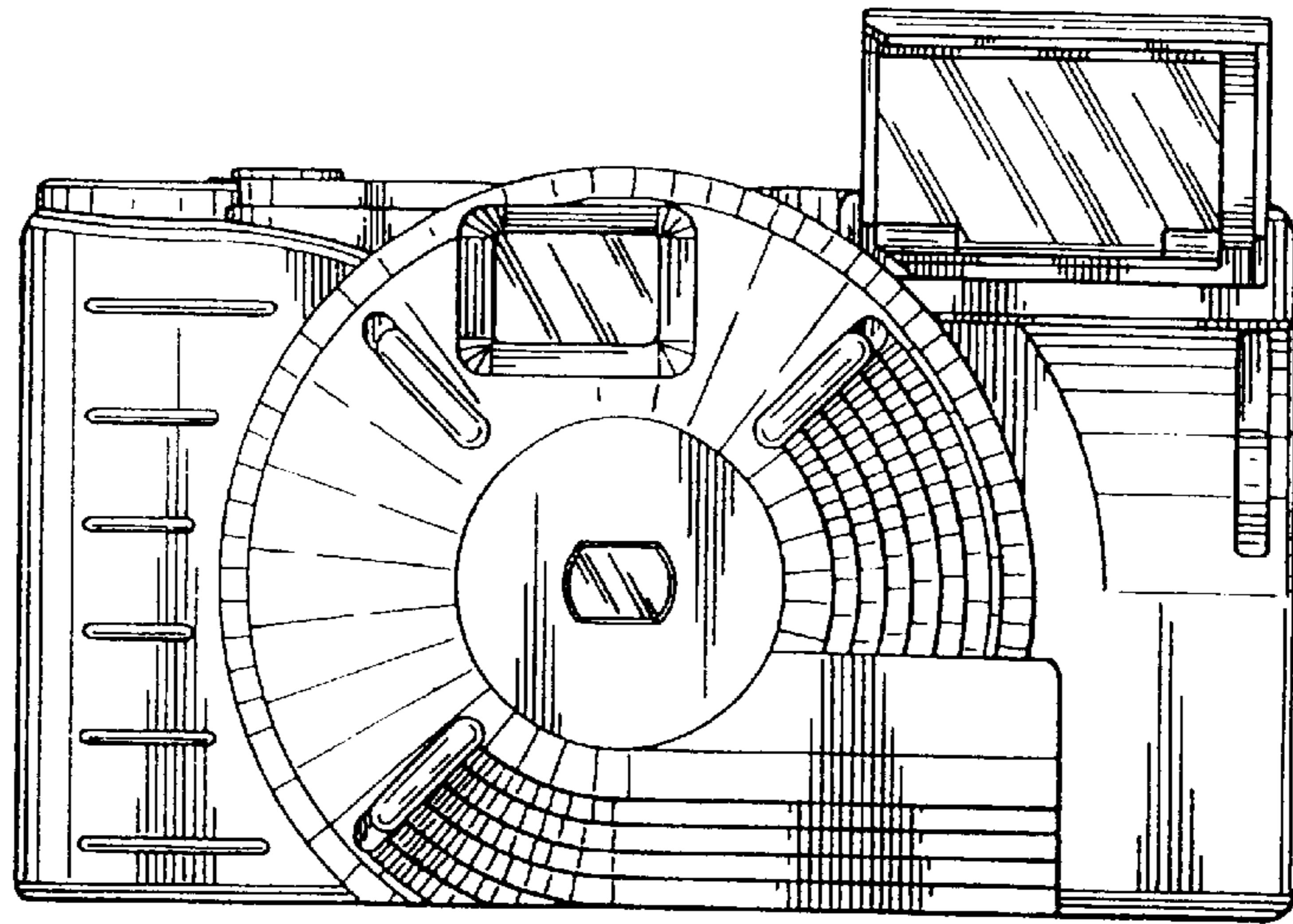
*Fig. 6*



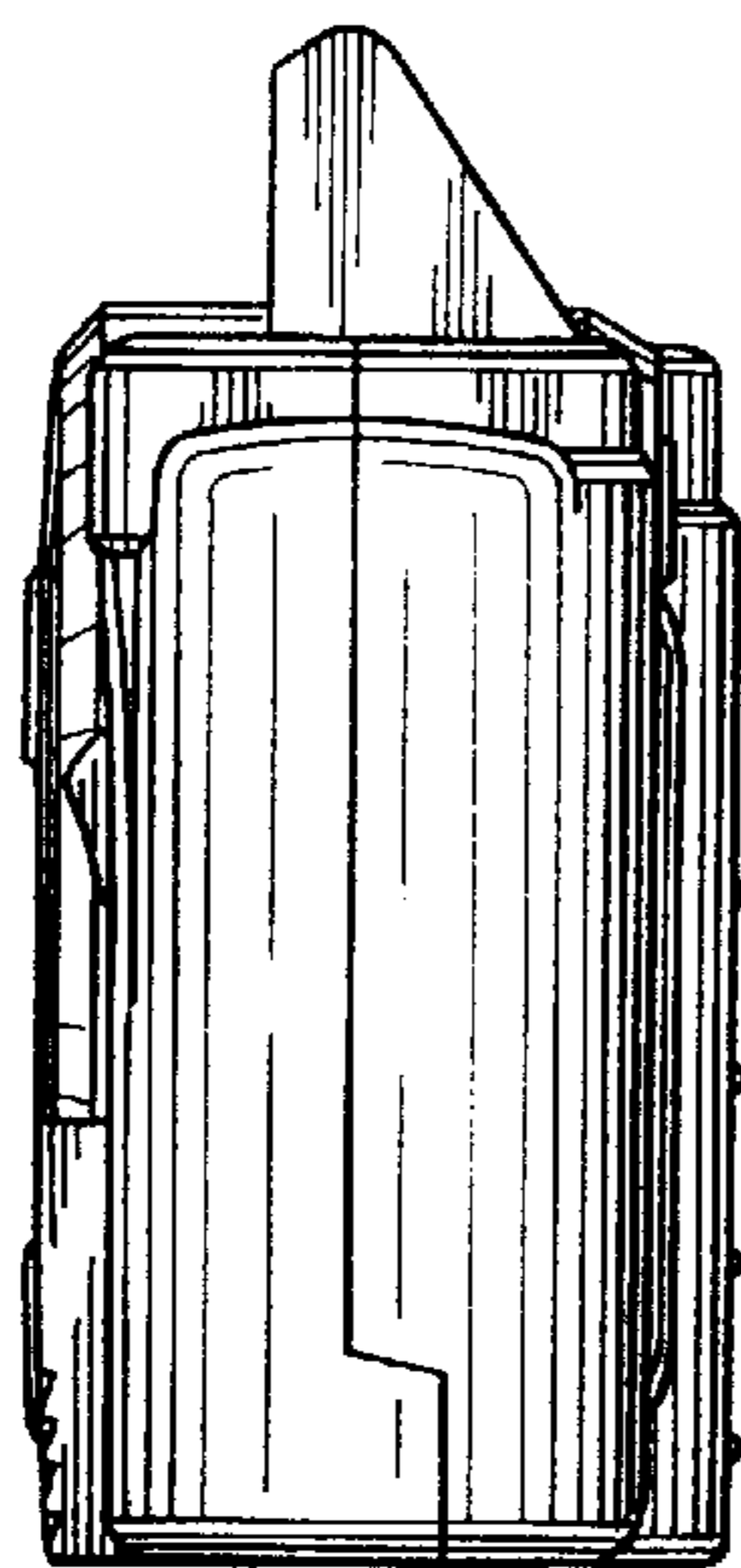
*Fig. 7*



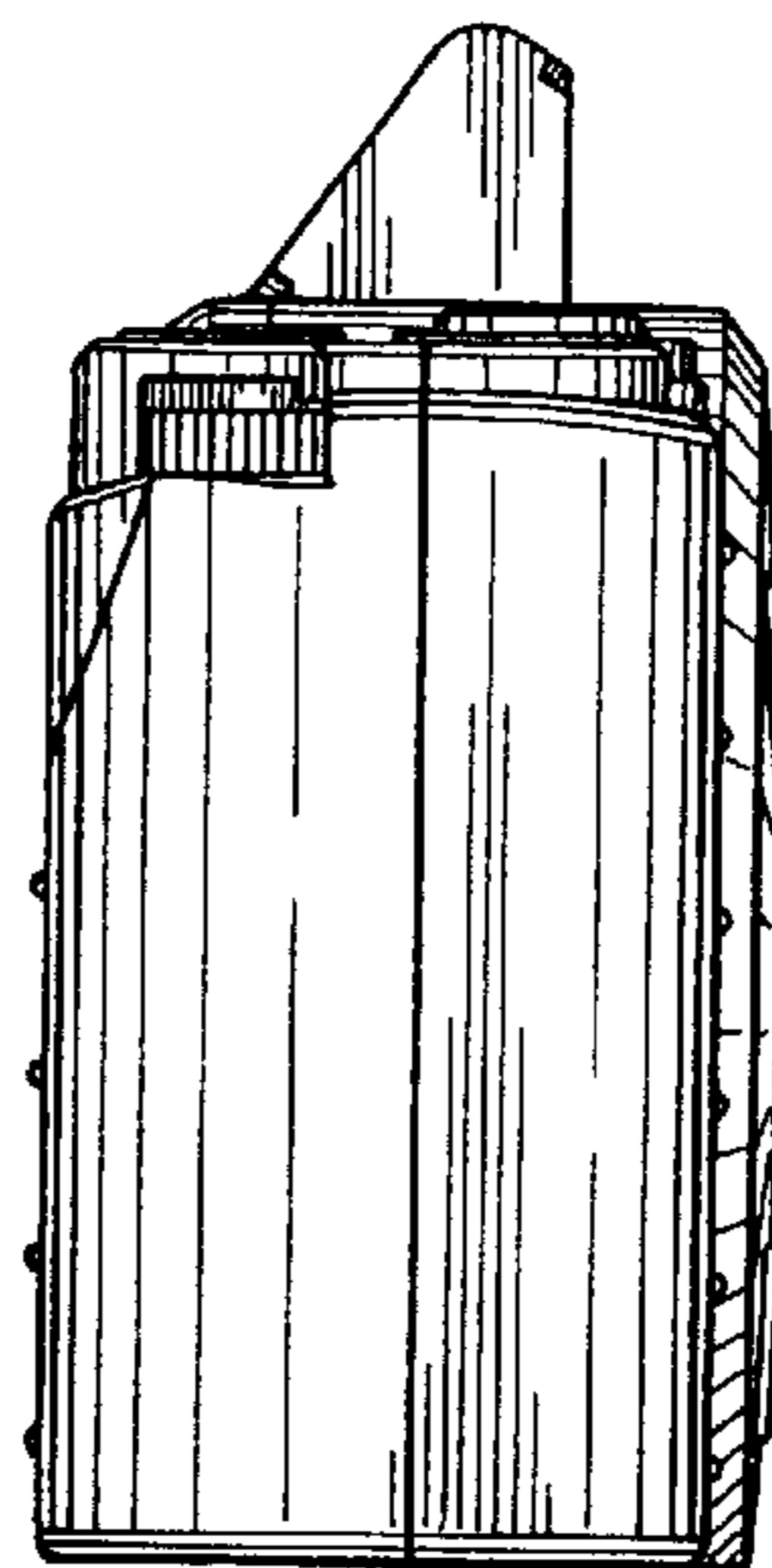
*Fig. 8*



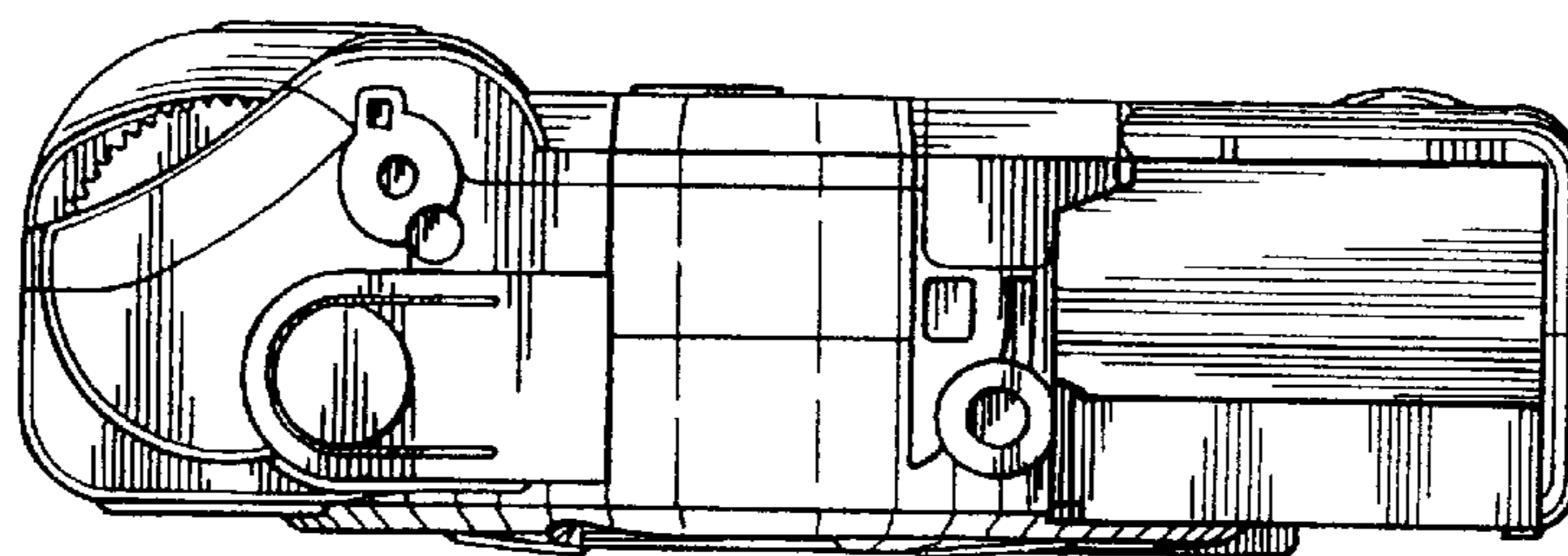
*Fig. 9*



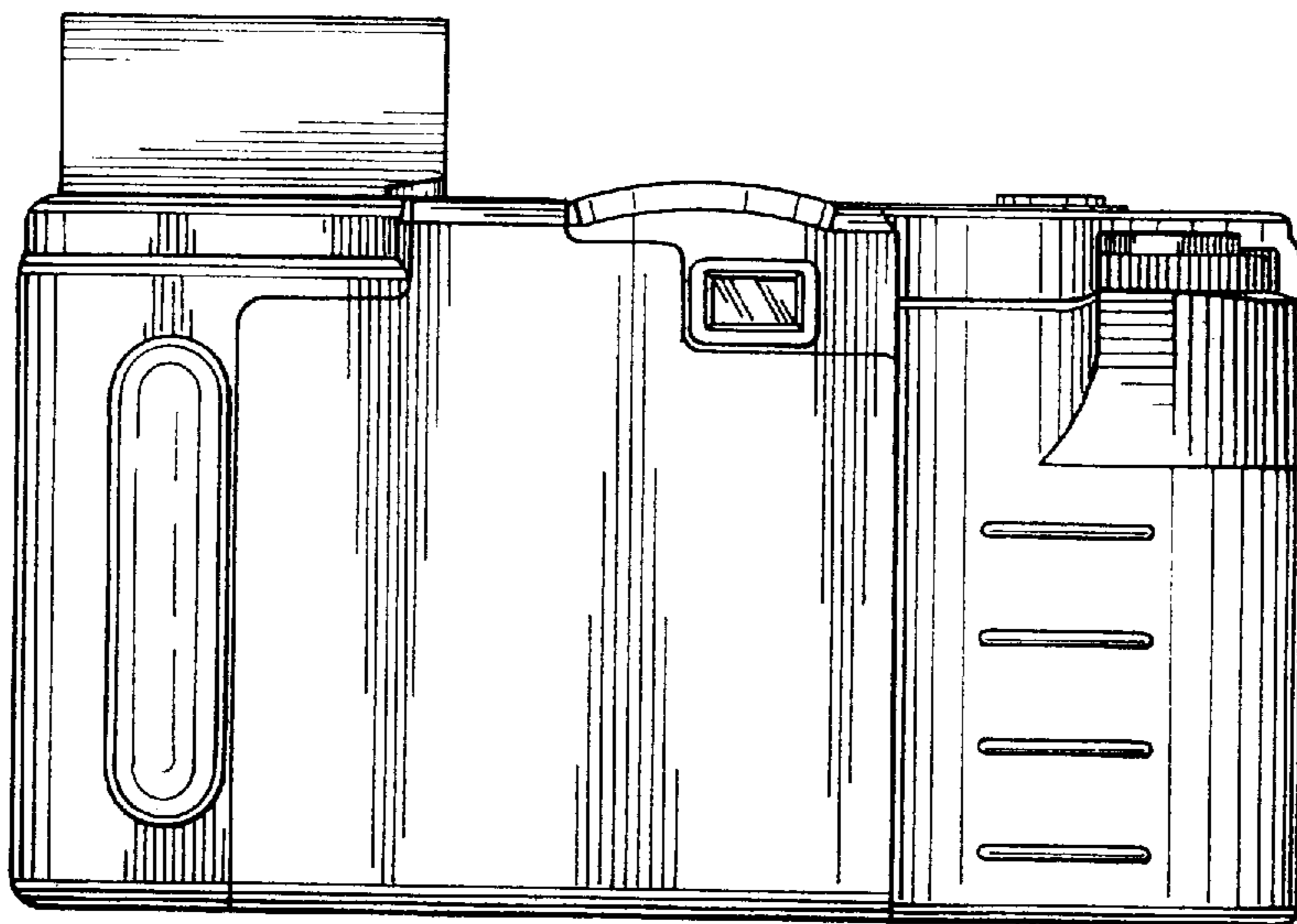
*Fig. 10*



*Fig. 11*



*Fig. 12*



*Fig. 13*