



US00D399859S

# United States Patent [19]

Hasegawa

[11] Patent Number: Des. 399,859

[45] Date of Patent: \*\*\*Oct. 20, 1998

[54] BINOCULARS

[75] Inventor: Masato Hasegawa, Kawasaki, Japan

[73] Assignee: Canon Kabushiki Kaisha, Tokyo, Japan

[\*] Notice: The term of this patent shall not extend beyond the expiration date of Pat. No. D. 376,164.

[\*\*] Term: 14 Years

[21] Appl. No.: 72,358

[22] Filed: Jun. 19, 1997

### [30] Foreign Application Priority Data

Jan. 9, 1997 [JP] Japan ..... 9-238

[51] LOC (6) Cl. .... 16-06

[52] U.S. Cl. .... D16/133

[58] Field of Search ..... D16/130, 132, D16/133; 359/407, 408, 409, 410, 411, 412, 413, 414, 415, 416, 417, 418

### [56] References Cited

#### U.S. PATENT DOCUMENTS

D. 307,154 4/1990 Shishikura ..... D16/133

|            |         |                      |         |
|------------|---------|----------------------|---------|
| D. 311,748 | 10/1990 | Kwon .....           | D16/133 |
| D. 360,215 | 7/1995  | Moro et al. ....     | D16/133 |
| D. 364,631 | 11/1995 | Hamamura .....       | D16/133 |
| D. 376,164 | 12/1996 | Hasegawa et al. .... | D16/133 |
| D. 376,165 | 12/1996 | Takahashi .....      | D16/133 |
| D. 376,167 | 12/1996 | Hayamizu .....       | D16/133 |
| 3,312,518  | 4/1967  | Bushnell .....       | 359/407 |
| 4,848,887  | 7/1989  | Addy et al. ....     | 359/413 |
| 5,191,471  | 3/1993  | Funathu .....        | 359/414 |

Primary Examiner—Paula A. Mortimer  
Attorney, Agent, or Firm—Fitzpatrick, Cella, Harper & Scinto

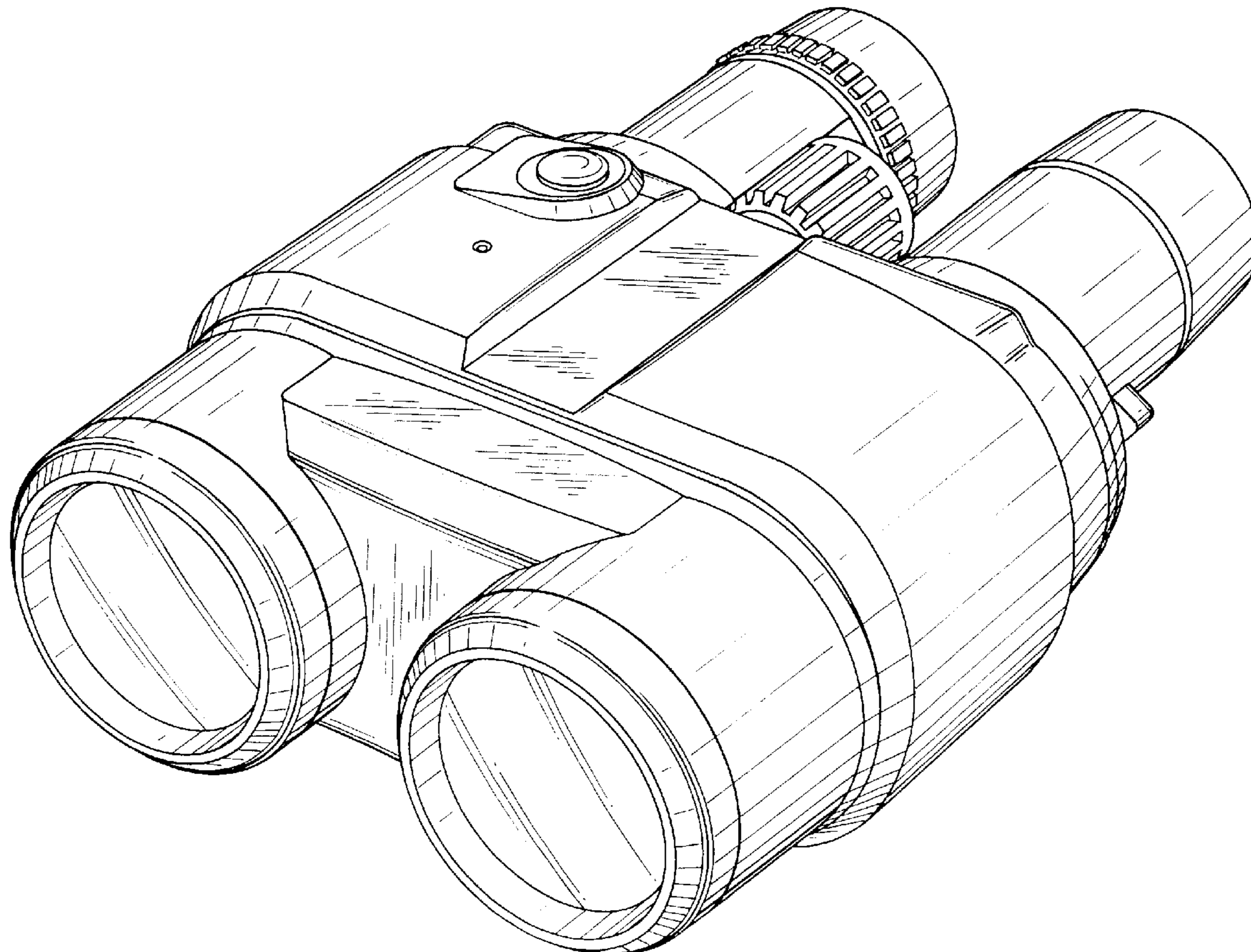
### [57] CLAIM

The ornamental design for a binoculars, as shown and described.

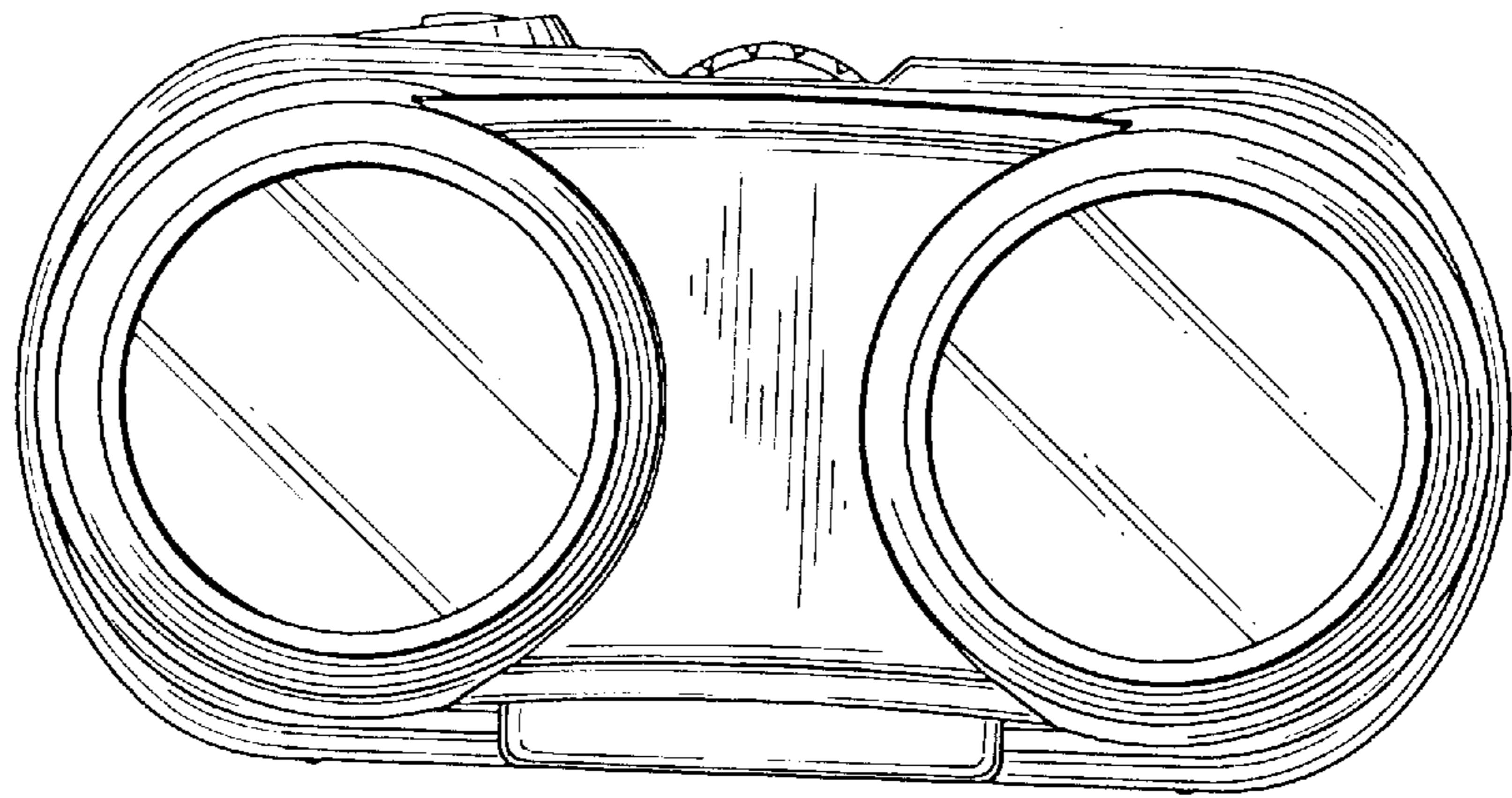
### DESCRIPTION

FIG. 1 is a front view of a binoculars showing my new design;  
FIG. 2 is a rear view thereof;  
FIG. 3 is a top plan view thereof;  
FIG. 4 is a bottom plan view thereof;  
FIG. 5 is a left side view thereof;  
FIG. 6 is a right side view thereof; and,  
FIG. 7 is a perspective view thereof.

1 Claim, 5 Drawing Sheets



*FIG. 1*



*FIG. 2*

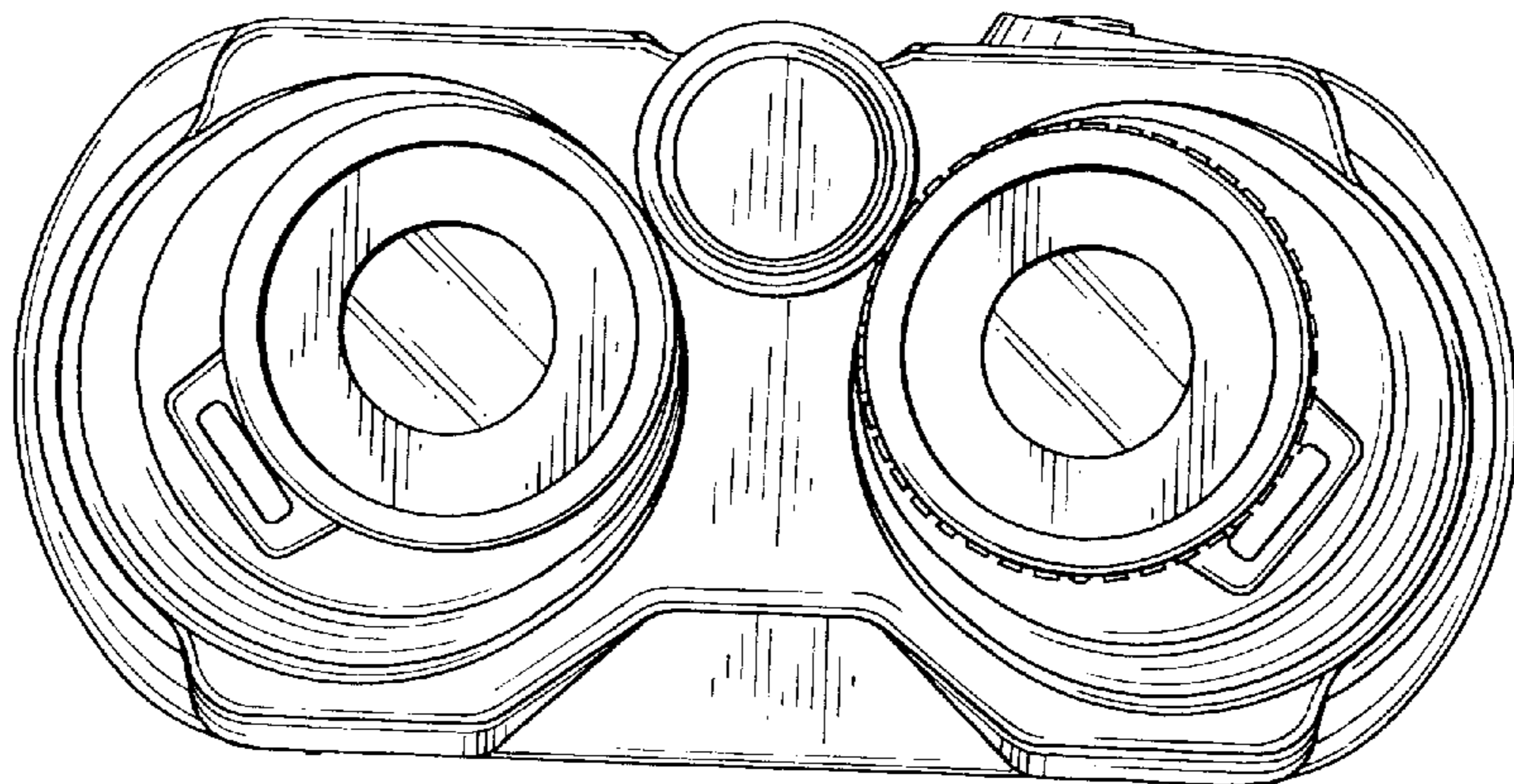


FIG. 3

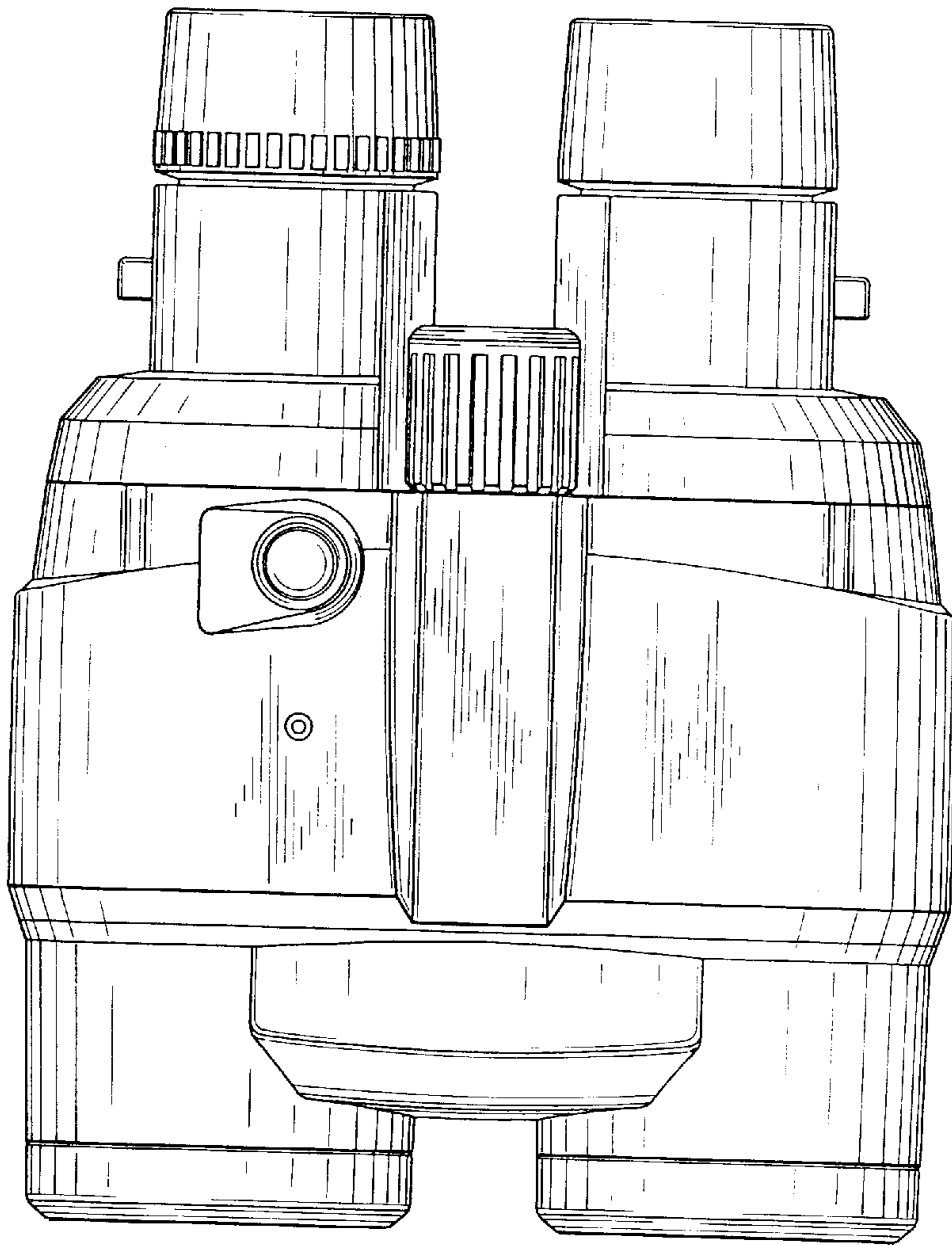
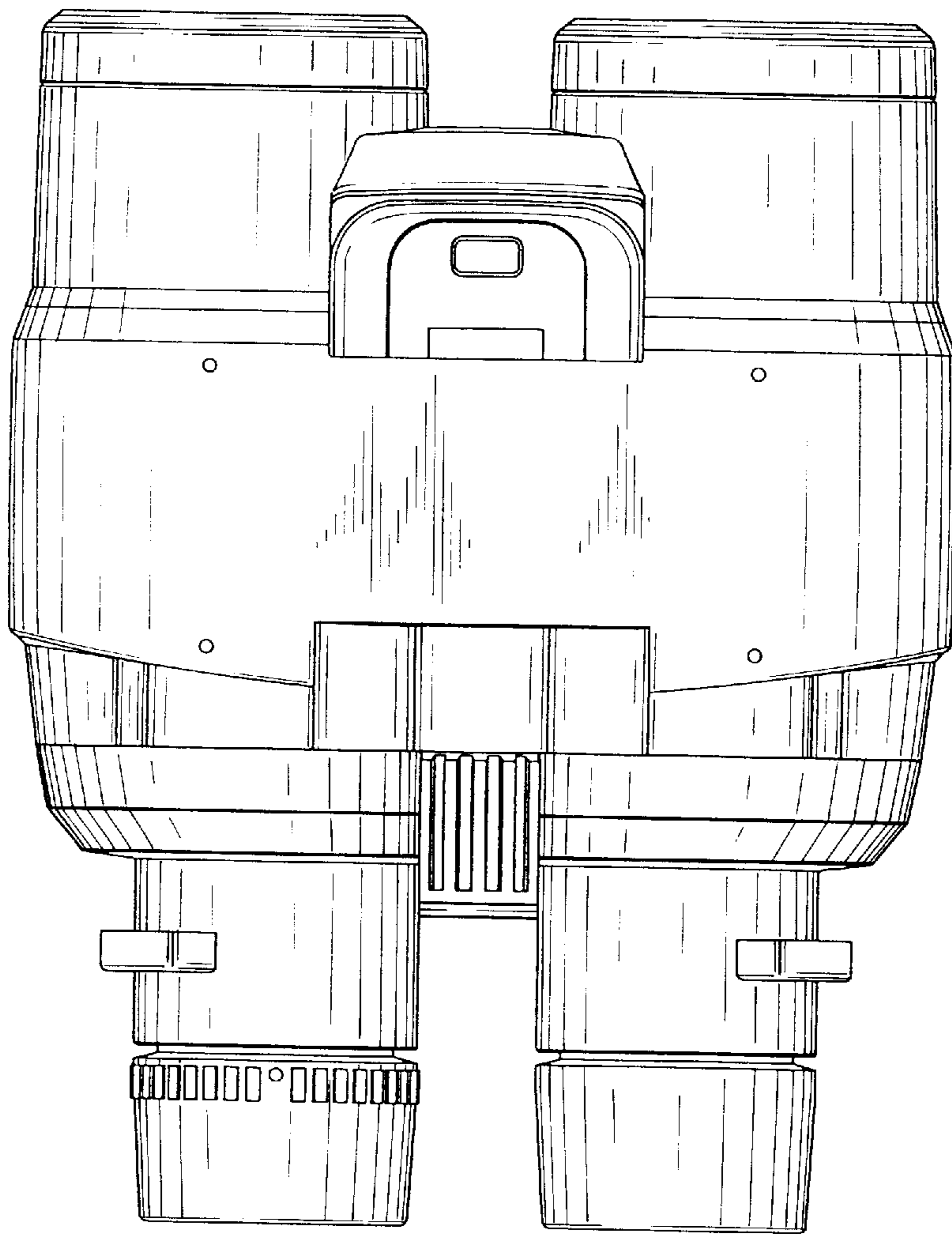
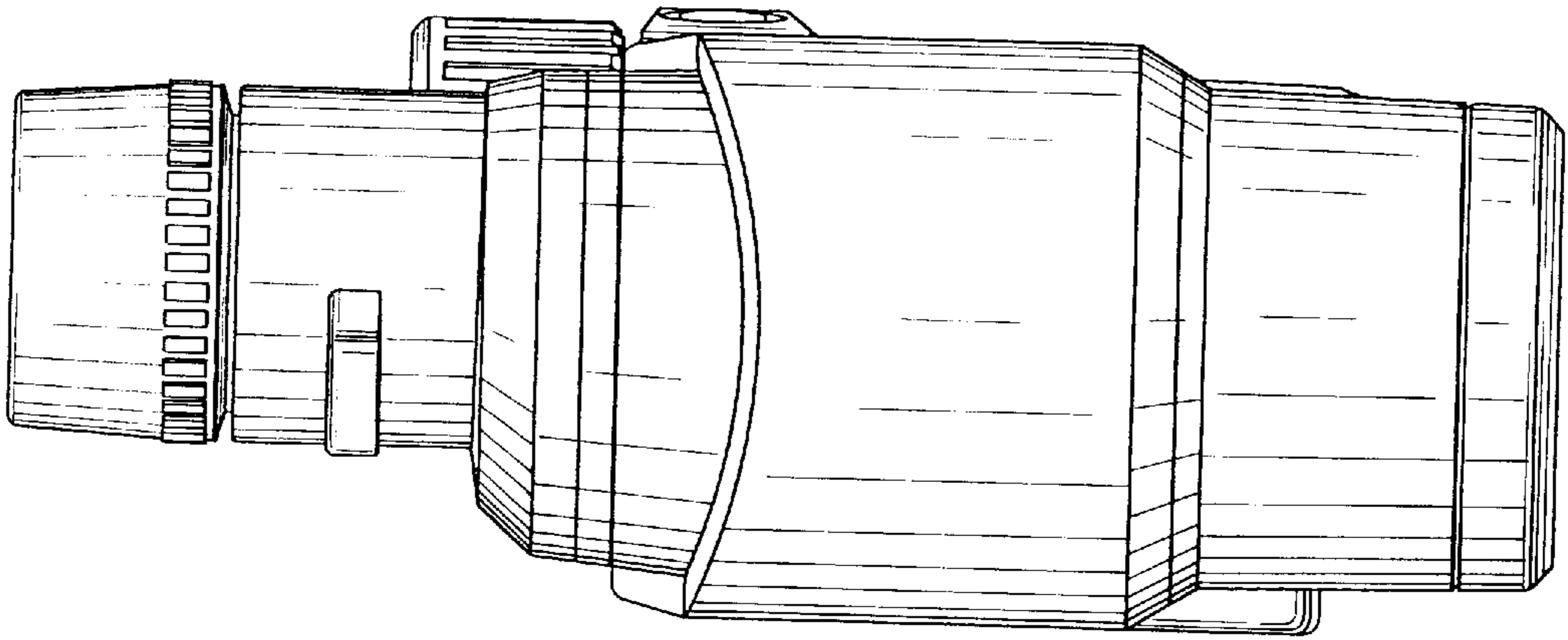


FIG. 4





*FIG. 5*



*FIG. 6*

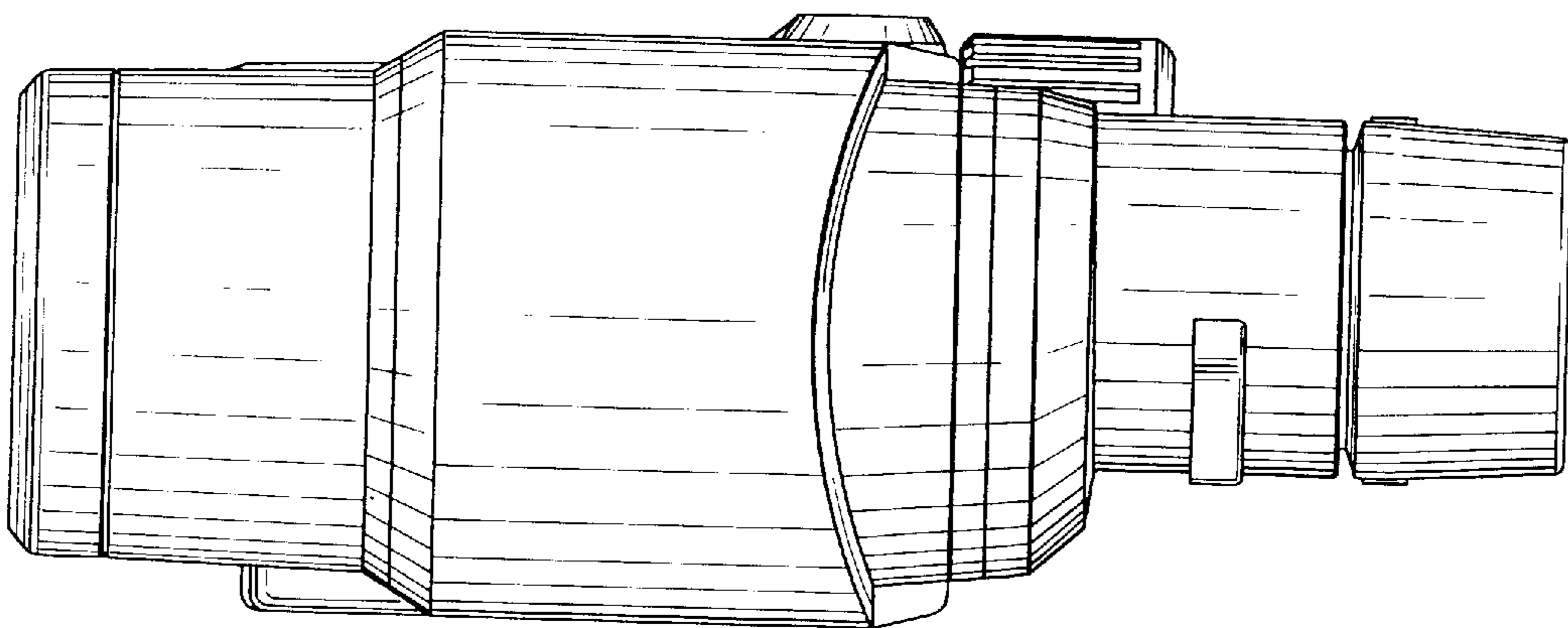


FIG. 7

