



US00D399857S

# United States Patent [19] Kanemichi

[11] **Patent Number: Des. 399,857**

[45] **Date of Patent: \*\*Oct. 20, 1998**

[54] **REEL BOBBIN FOR A WIRE SAW FOR SEMICONDUCTORS**

1,783,339 12/1930 Mitchell ..... 242/128  
2,853,252 9/1958 Thiel ..... 242/286

[75] Inventor: **Yukihiro Kanemichi**, Yokosuka, Japan

*Primary Examiner*—Antoine Duval Davis  
*Attorney, Agent, or Firm*—Trask, Britt & Rossa

[73] Assignee: **Nippei Toyama Corporation**, Japan

[\*\*] Term: **14 Years**

[57] **CLAIM**

[21] Appl. No.: **74,079**

The ornamental design for a reel bobbin for a wire saw for semiconductors, as shown and described.

[22] Filed: **Aug. 5, 1997**

**DESCRIPTION**

[51] **LOC (6) Cl.** ..... **15-09**

FIG. 1 is a perspective view of a reel bobbin for a wire saw for semiconductors;

[52] **U.S. Cl.** ..... **D15/138; D15/78**

FIG. 2 is a front elevational view thereof, the rear elevational view, the top plan view, and the bottom plan view being identical with FIG. 2;

[58] **Field of Search** ..... D15/138, 133,  
D15/78, 72; 125/21, 16.01, 16.02; 451/12,  
21, 28; 242/128, 156, 286; 428/592

FIG. 3 is a right side elevational view thereof, the left side elevational view being a mirror image of FIG. 3; and,

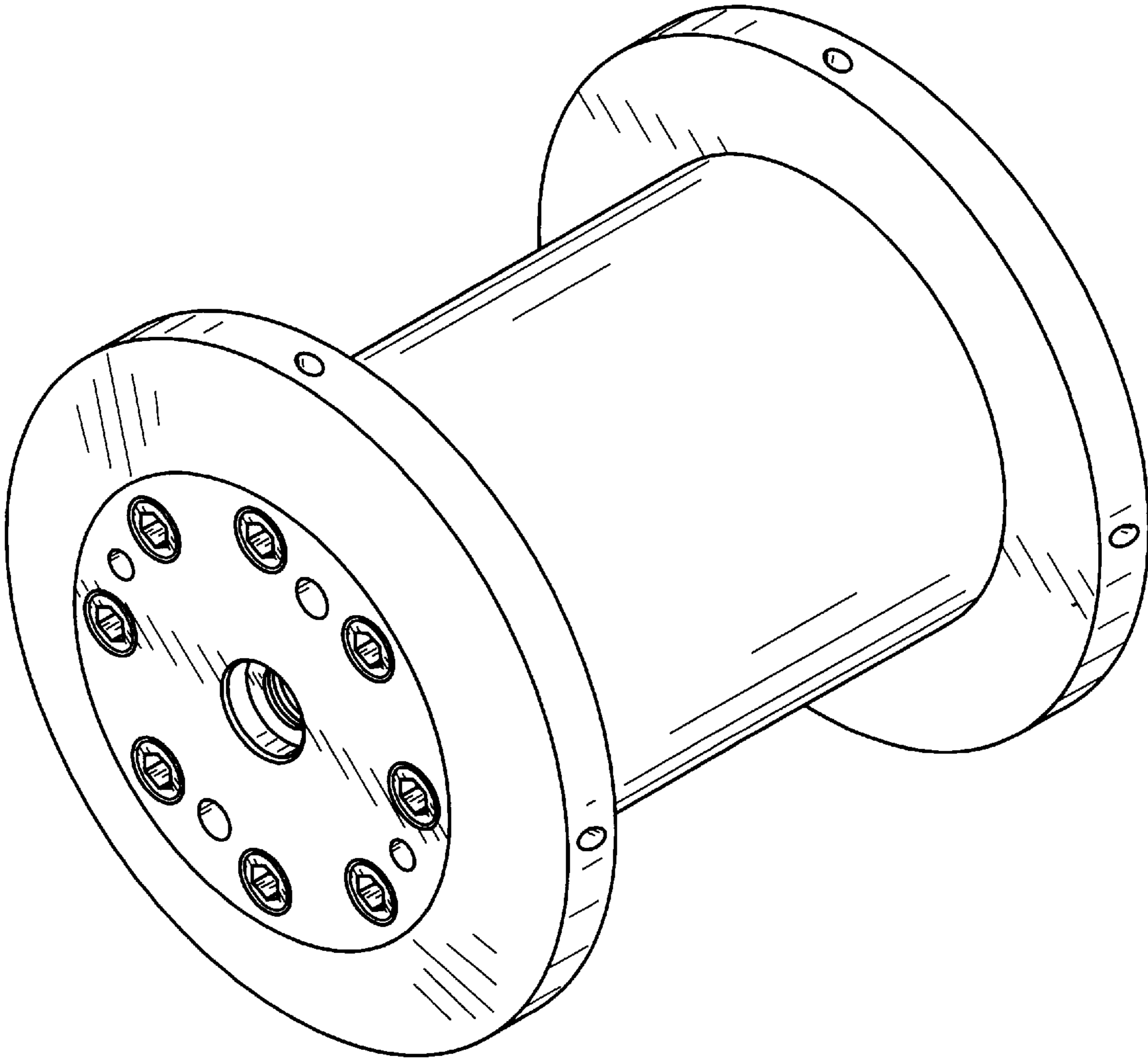
[56] **References Cited**

FIG. 4 is a referential view showing location of the present article in a wire saw for semiconductors.

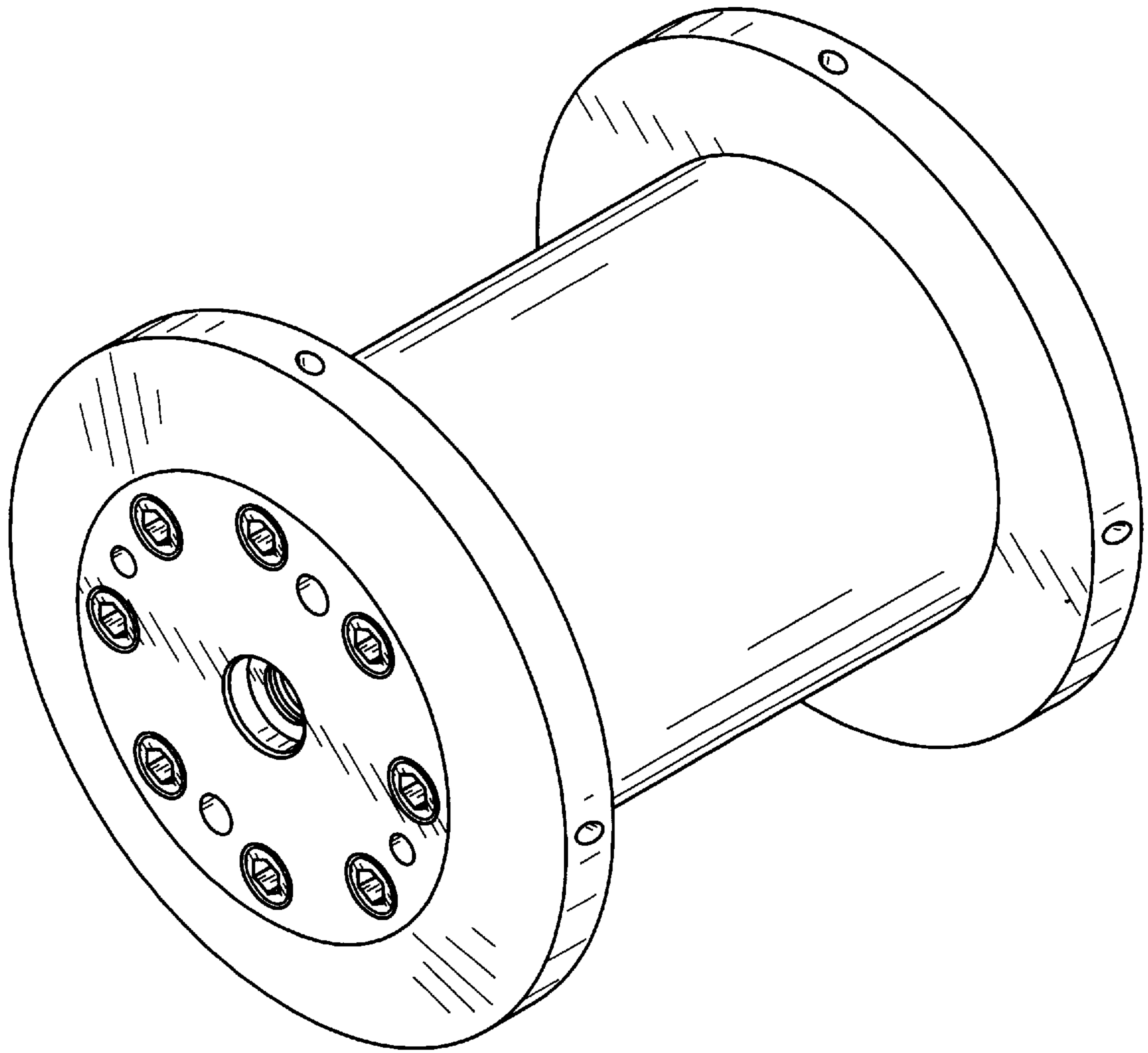
**U.S. PATENT DOCUMENTS**

D. 244,808 6/1977 Ubermuth ..... D15/78  
D. 250,338 11/1978 LaPierre ..... D15/78

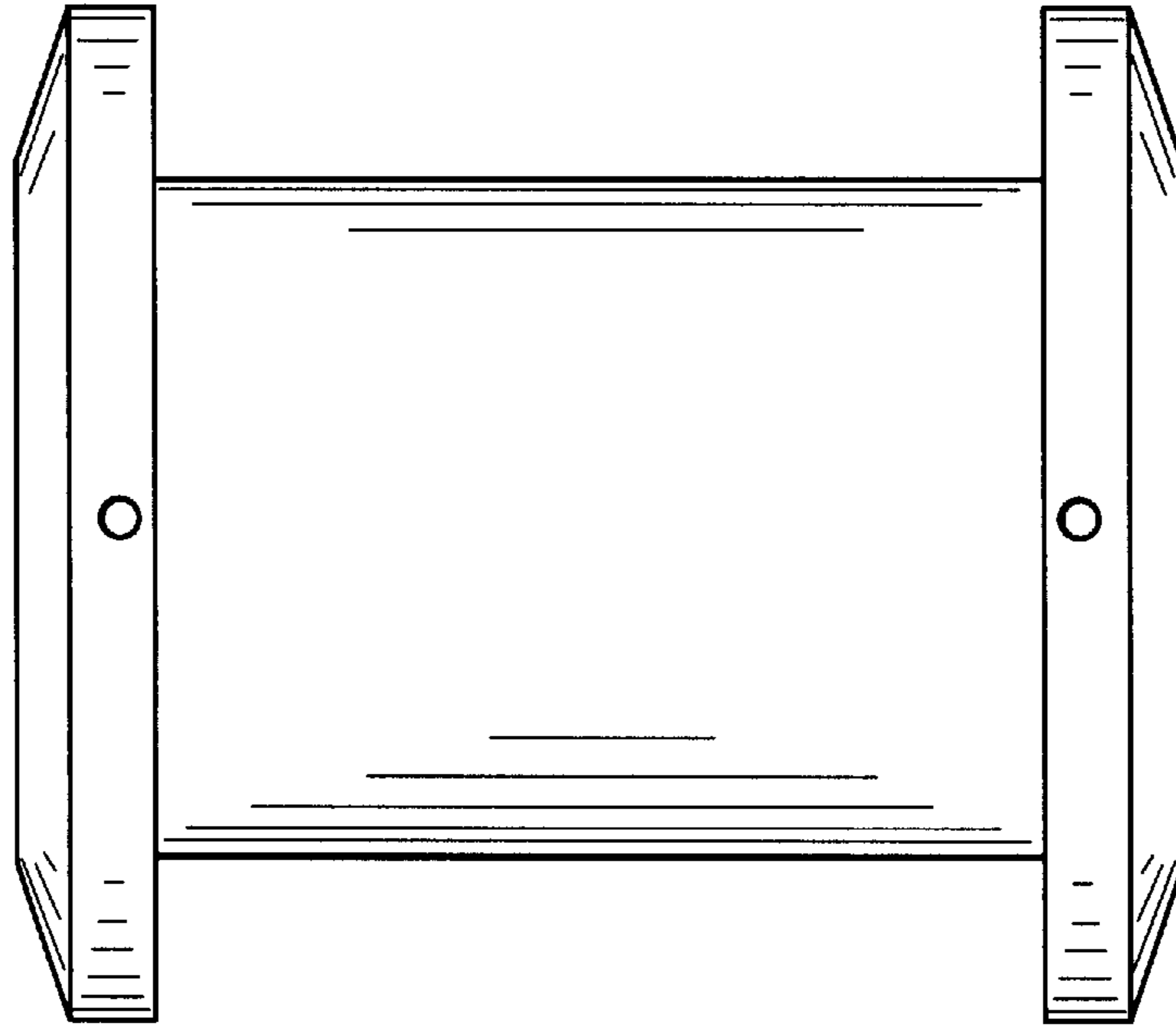
**1 Claim, 3 Drawing Sheets**



**Fig. 1**



**Fig. 2**



**Fig. 3**

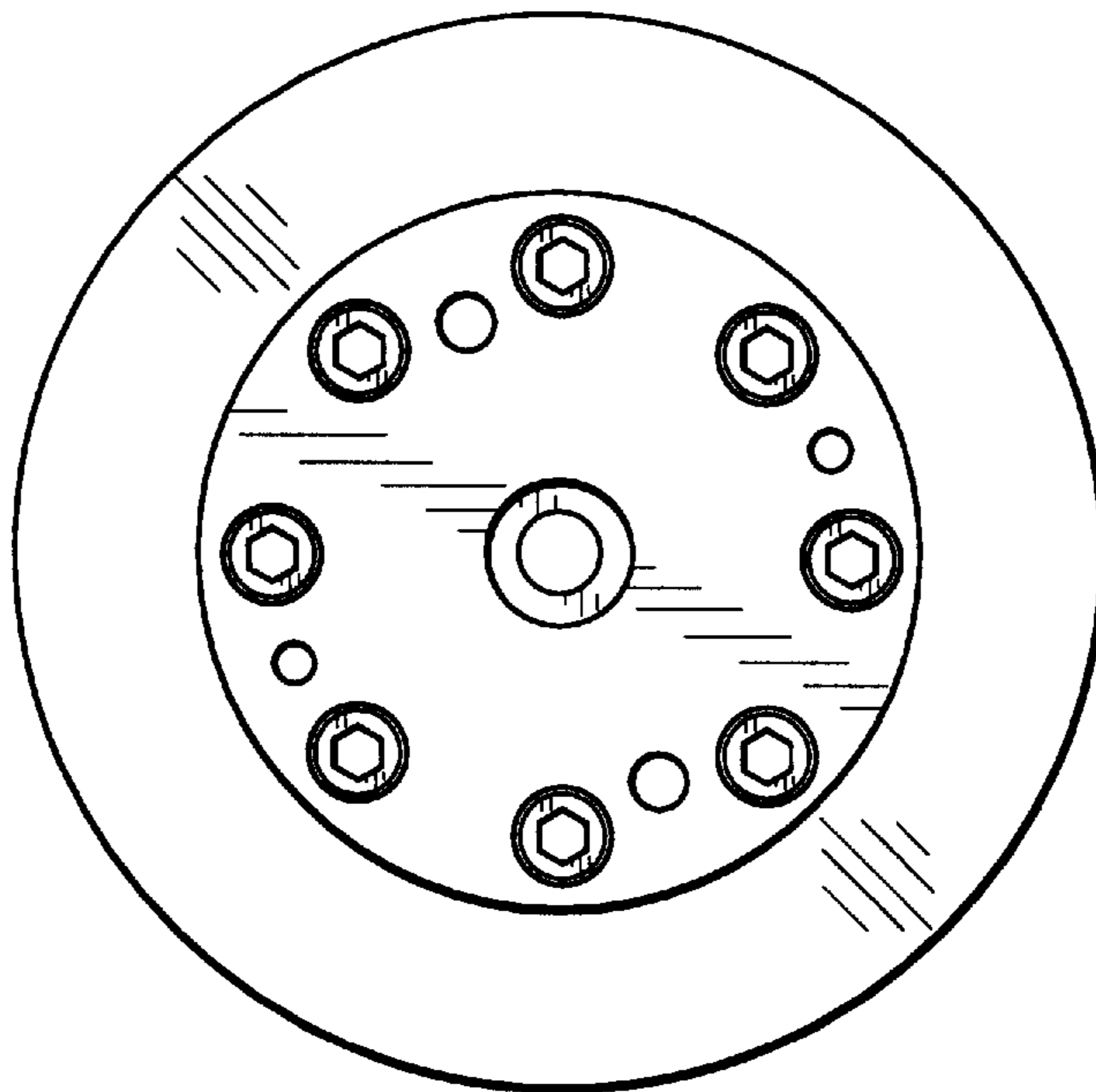


Fig. 4

