



US00D399856S

United States Patent [19]

Price et al.

[11] **Patent Number: Des. 399,856**

[45] **Date of Patent: **Oct. 20, 1998**

[54] **MOTOR HOUSING FOR A SLIDING COMPOUND MITER SAW**

[75] Inventors: **Scott Price**, Pylesville; **Robert P. Welsh**, Hunt Valley, both of Md.

[73] Assignee: **Black & Decker Inc.**, Newark, Del.

[**] Term: **14 Years**

[21] Appl. No.: **79,316**

[22] Filed: **Nov. 12, 1997**

[51] **LOC (6) Cl.** **15-09**

[52] **U.S. Cl.** **D15/133**

[58] **Field of Search** D8/87; D15/133, D15/142; 83/397, 471.1, 471.2, 471.3, 477, 581

[56] **References Cited**

U.S. PATENT DOCUMENTS

- D. 305,542 1/1990 Miyamoto et al. .
- D. 306,031 2/1990 Ushiwata et al. .
- D. 336,652 6/1993 Arehart .

- D. 391,973 3/1998 Price et al. D15/133
- 5,437,214 8/1995 Saski et al. 83/471.3
- 5,524,516 6/1996 Saski et al. 83/471.3
- 5,564,323 10/1996 Saski et al. 83/471.3

Primary Examiner—Antoine Duval Davis
Attorney, Agent, or Firm—Harness, Dickey & Pierce, P.L.C.

[57] **CLAIM**

The ornamental design for a motor housing for a sliding compound miter saw, as shown and described.

DESCRIPTION

FIG. 1 is a perspective view of the design for a motor housing for a sliding compound miter saw according to the present invention;
 FIG. 2 is a front elevational view thereof;
 FIG. 3 is a left side elevational view thereof;
 FIG. 4 is a top plan view thereof;
 FIG. 5 is a bottom plan view thereof; and,
 FIG. 6 is a right side elevational view thereof.
 The broken line showing is for illustrative purposes only and forms no part of the claimed design.

1 Claim, 2 Drawing Sheets

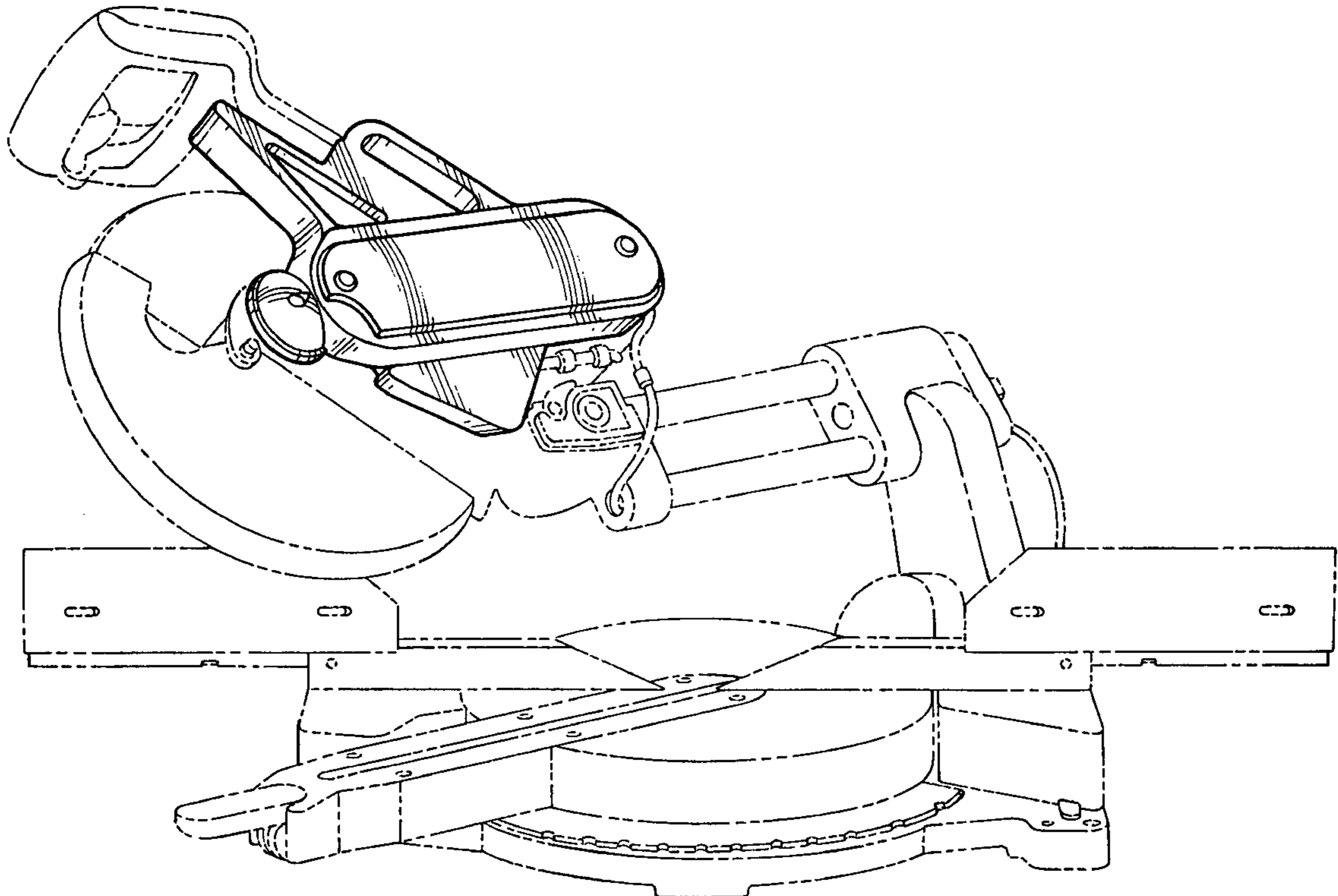
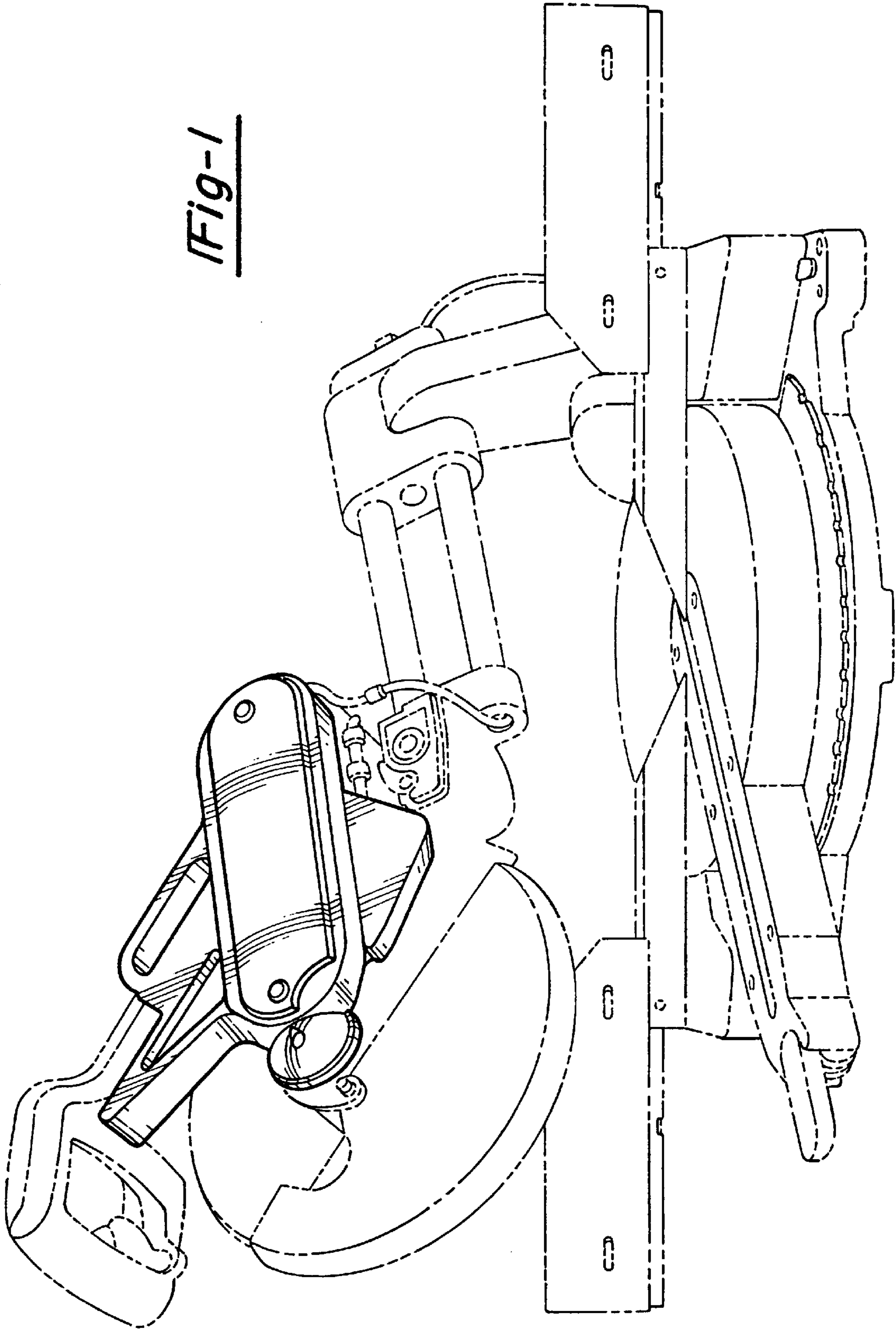


Fig-1



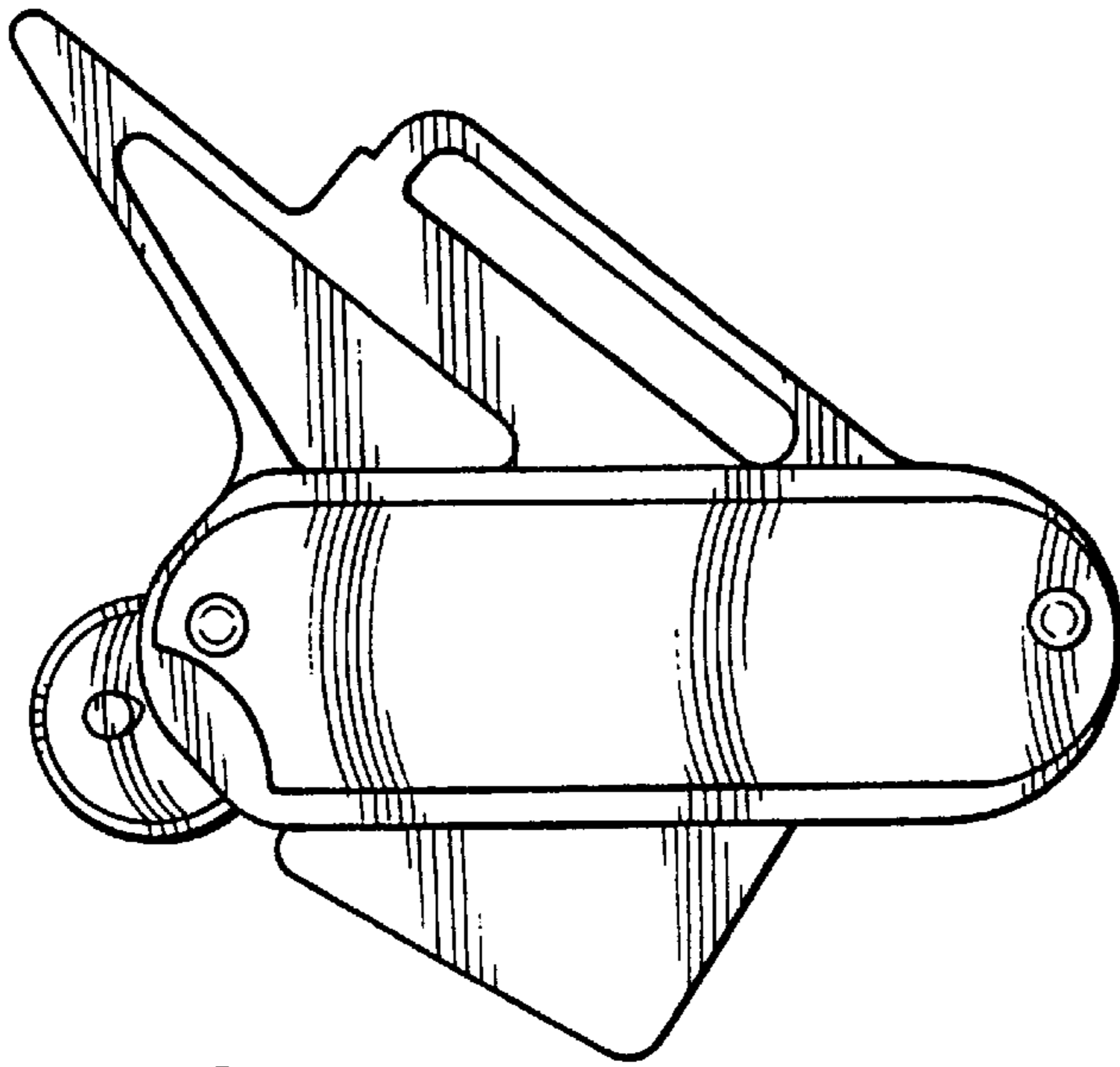


Fig-2

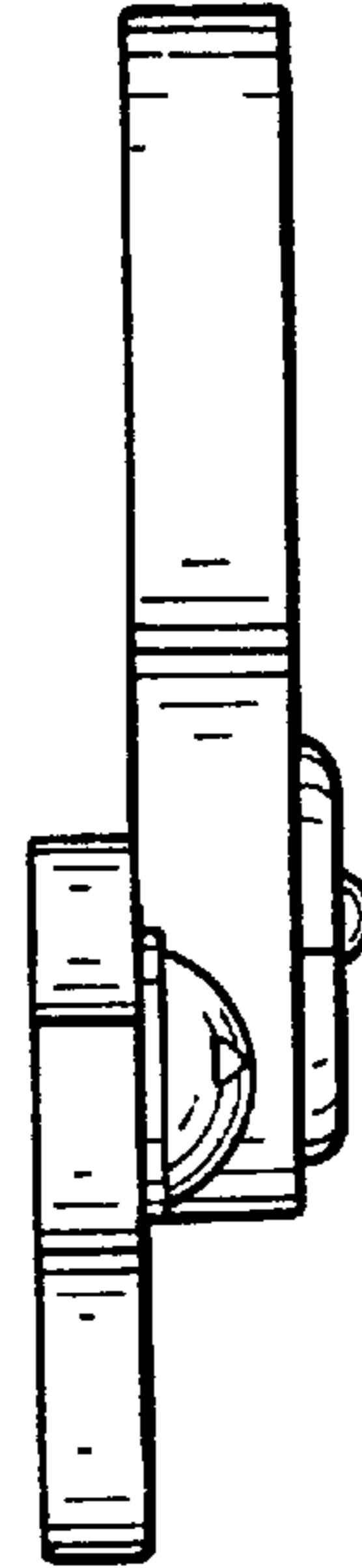


Fig-3

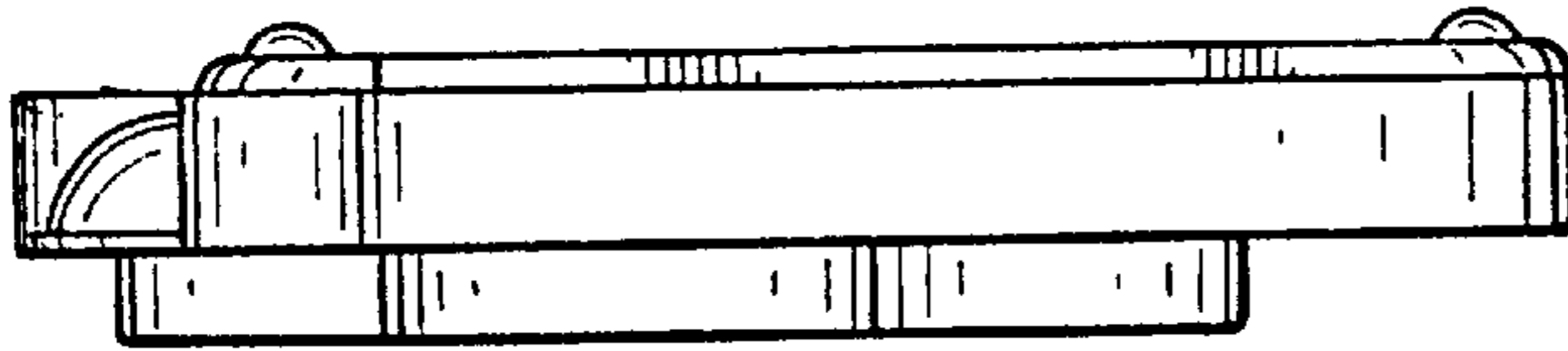


Fig-5

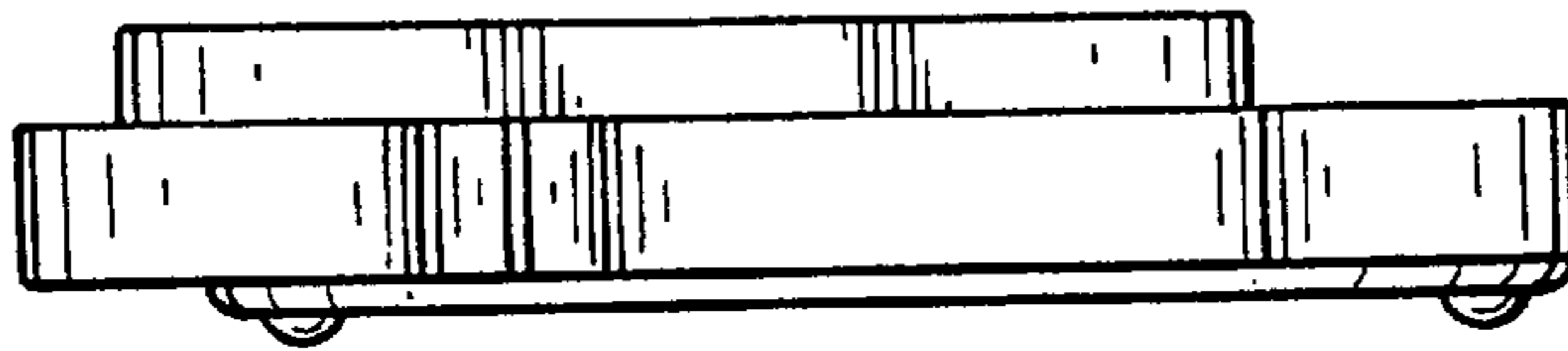


Fig-4

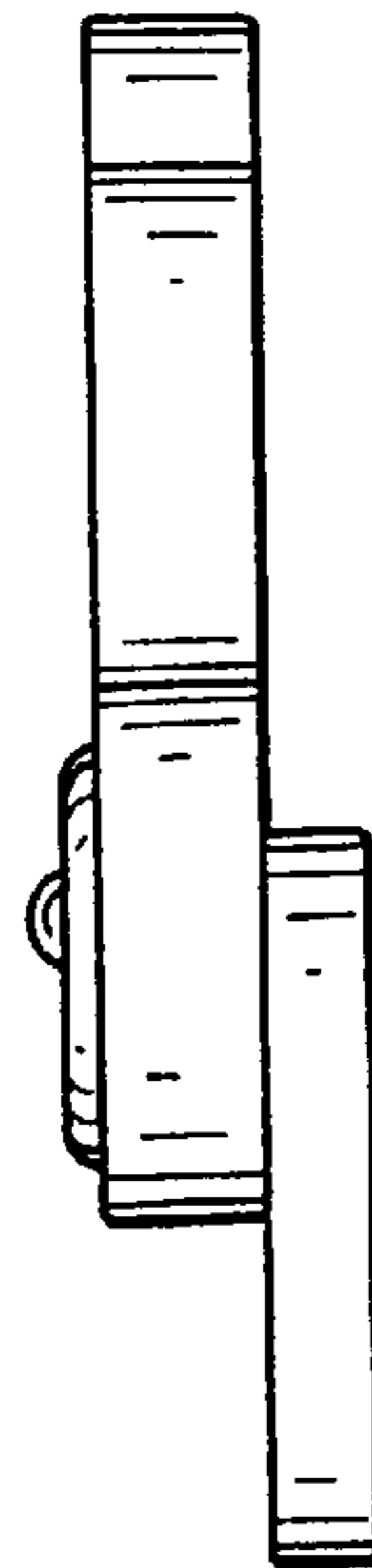


Fig-6