



US00D399855S

**United States Patent** [19]  
**Ito**

[11] **Patent Number: Des. 399,855**

[45] **Date of Patent: \*\*Oct. 20, 1998**

[54] **WIRE GUIDING ROLLER**

4,044,509 8/1977 Bos et al. .... 451/28

[75] Inventor: **Yasuhiro Ito**, Yokohama, Japan

*Primary Examiner*—Antoine Duval Davis  
*Attorney, Agent, or Firm*—Trask, Britt & Rossa

[73] Assignee: **Nippei Toyama Corporation**, Japan

[\*\*] Term: **14 Years**

[57] **CLAIM**

The ornamental design for a wire guiding roller, as shown and described.

[21] Appl. No.: **74,158**

[22] Filed: **Aug. 5, 1997**

**DESCRIPTION**

[51] **LOC (6) Cl.** ..... **15-09**

FIG. 1 is a perspective view of a wire guiding roller; FIG. 2 is a right side elevational view thereof, the left side elevational view being identical with FIG. 2;

[52] **U.S. Cl.** ..... **D15/133; D15/138; D15/78**

[58] **Field of Search** ..... D15/133, 138, D15/199, 72, 78; 451/28, 12, 21; 428/592; 242/128

FIG. 3 is a front elevational view thereof, the rear elevational view, the top plan view, and the bottom plan view being identical with FIG. 3; and,

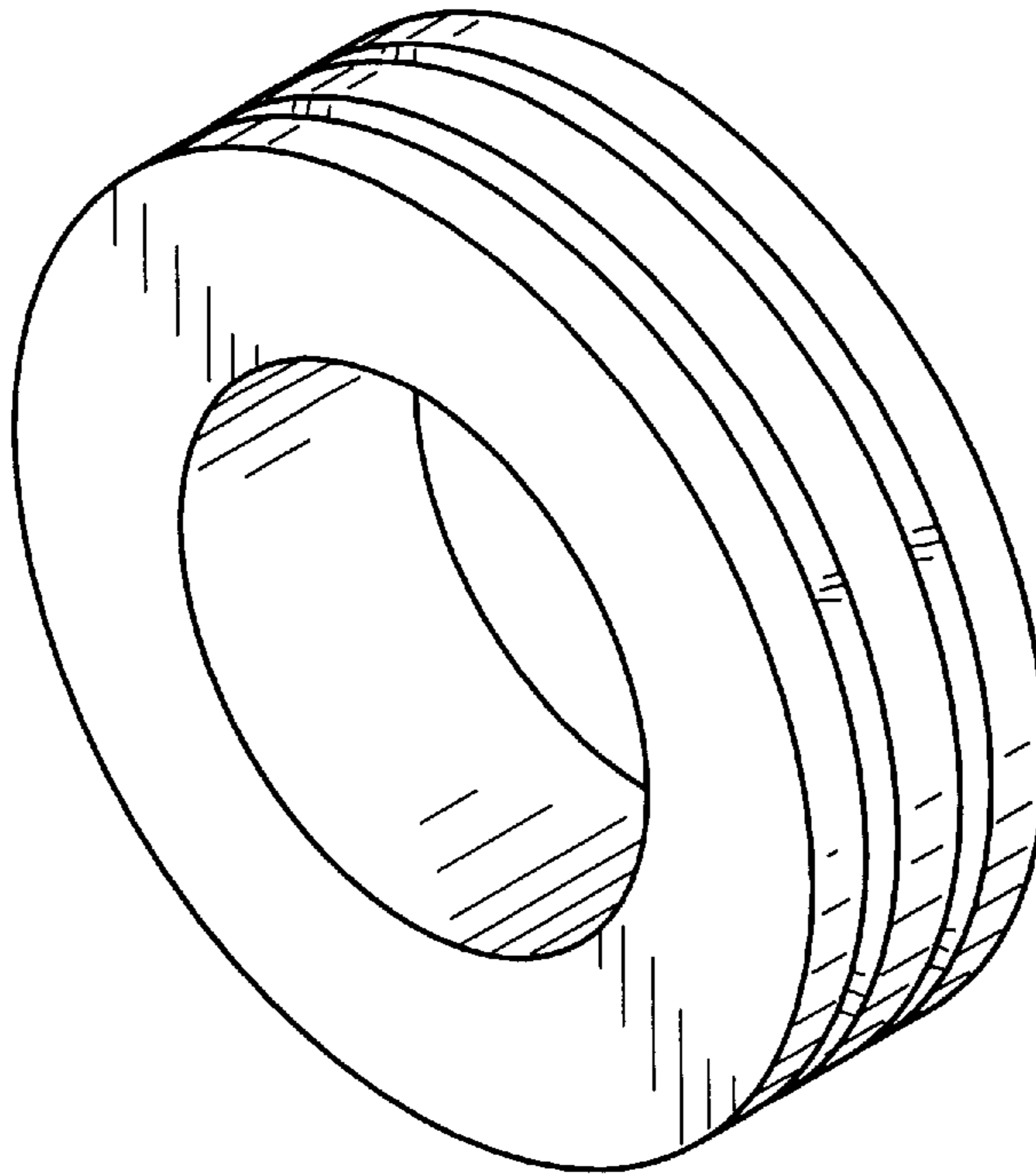
[56] **References Cited**

FIG. 4 is a referential view showing location of the present article in a wire saw for semiconductors.

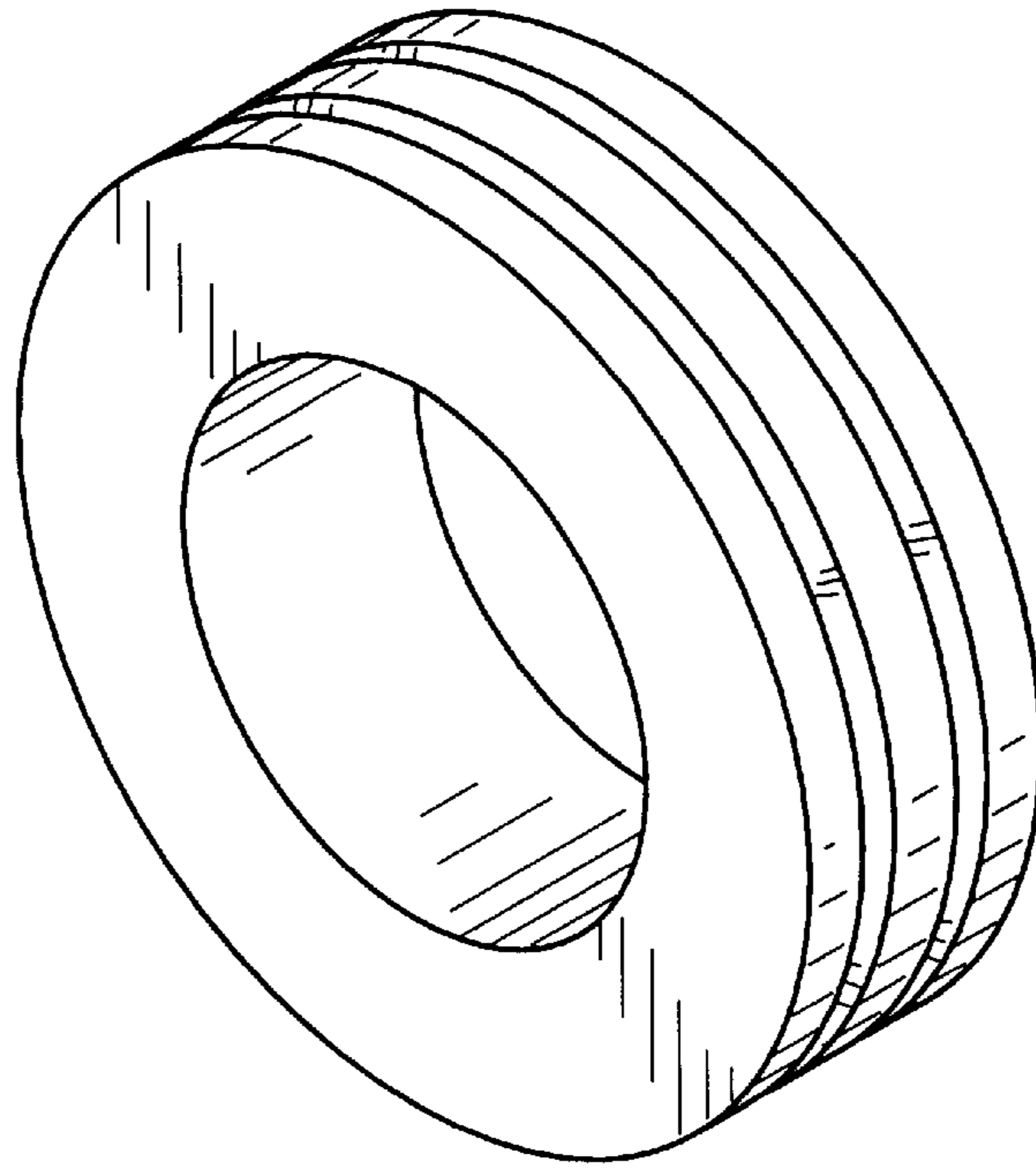
**U.S. PATENT DOCUMENTS**

D. 285,798 9/1986 Brunnegard et al. .... D15/138 X

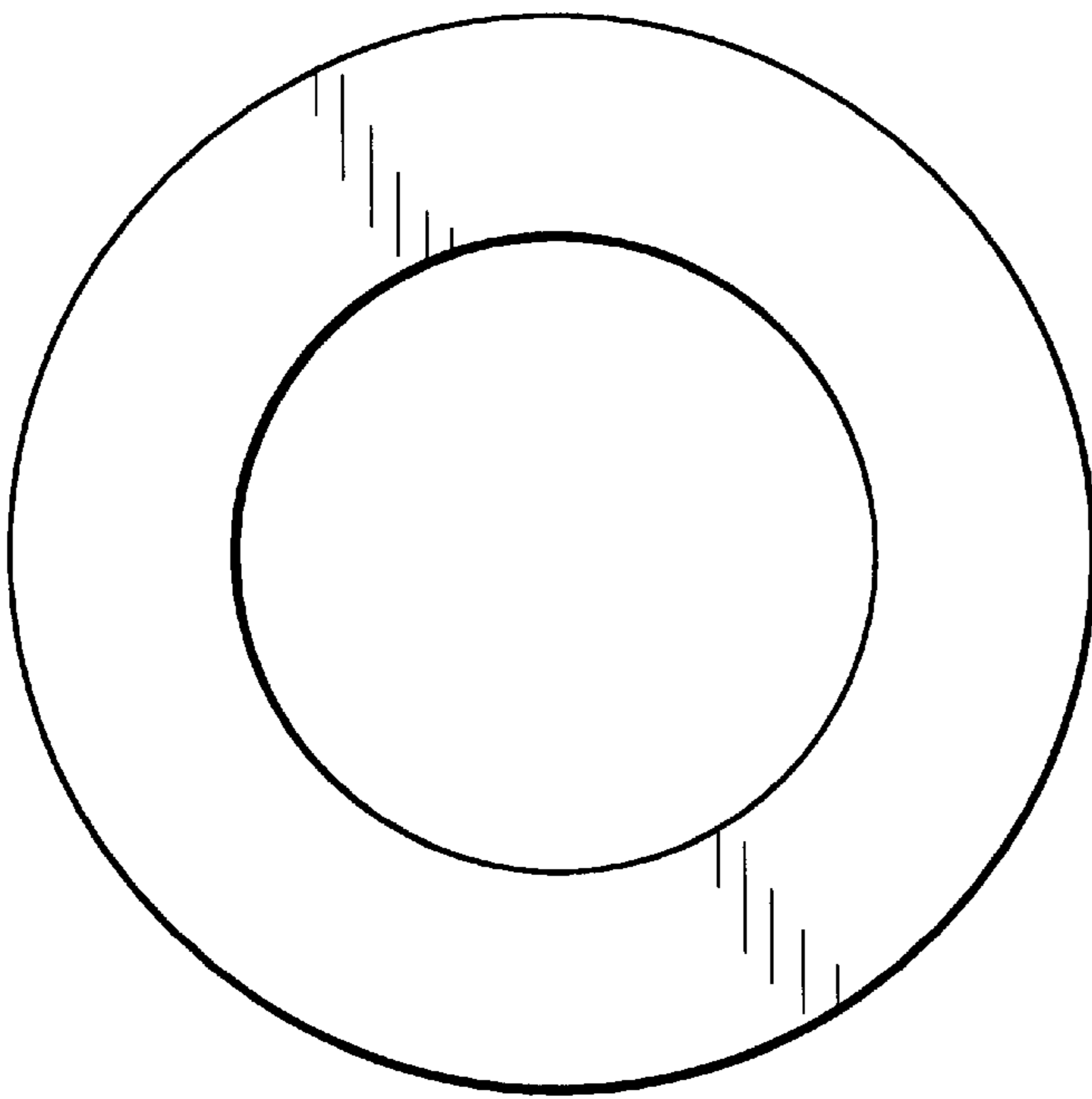
**1 Claim, 2 Drawing Sheets**



**Fig. 1**



**Fig. 2**



**Fig. 3**

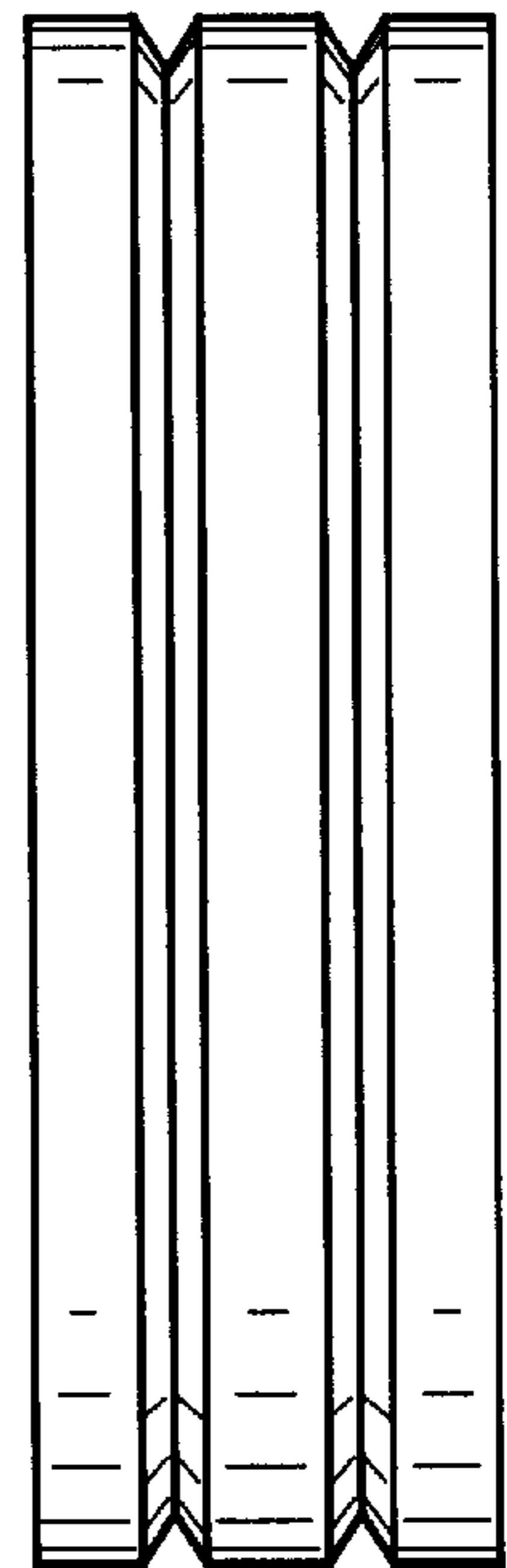


Fig. 4

