



US00D399851S

United States Patent [19]

Stauffer et al.

[11] Patent Number: **Des. 399,851**

[45] Date of Patent: ****Oct. 20, 1998**

[54] **SHIELDING FOR A COMBINE HARVESTER**

[75] Inventors: **David B. Stauffer**, New Holland; **Tyler R. Benedict**, Ephrata, both of Pa.; **Russell W. Strong**, Craftsbury Common, Vt.

[73] Assignee: **New Holland North America, Inc.**, New Holland, Pa.

[**] Term: **14 Years**

[21] Appl. No.: **71,471**

[22] Filed: **May 27, 1997**

[51] **LOC (6) Cl.** **15-03**

[52] **U.S. Cl.** **D15/10; D15/28**

[58] **Field of Search** D15/10-12, 22-26, D15/28; 56/14.6, 16.6; 296/190

[56] **References Cited**

U.S. PATENT DOCUMENTS

D. 180,054	4/1957	Ashton	D40/1
D. 188,206	6/1960	Klemm	D15/26
D. 205,780	9/1966	van der Lely	D40/1
D. 209,413	11/1967	Koeber et al.	D40/1

D. 217,275	4/1970	Malcolm	D40/1
D. 221,572	8/1971	Ashton et al.	D40/1
D. 221,573	8/1971	Ashton et al.	D40/1
D. 309,738	8/1990	Schober et al.	D15/26
4,332,261	6/1982	Webster	56/16.6
4,402,549	9/1983	Swanson	D15/23
4,416,486	11/1983	McNaught et al.	296/190
4,428,182	1/1984	Allen et al.	D15/22

Primary Examiner—Sandra L. Morris
Attorney, Agent, or Firm—J. William Stader; Larry W. Miller; Frank A. Seemar

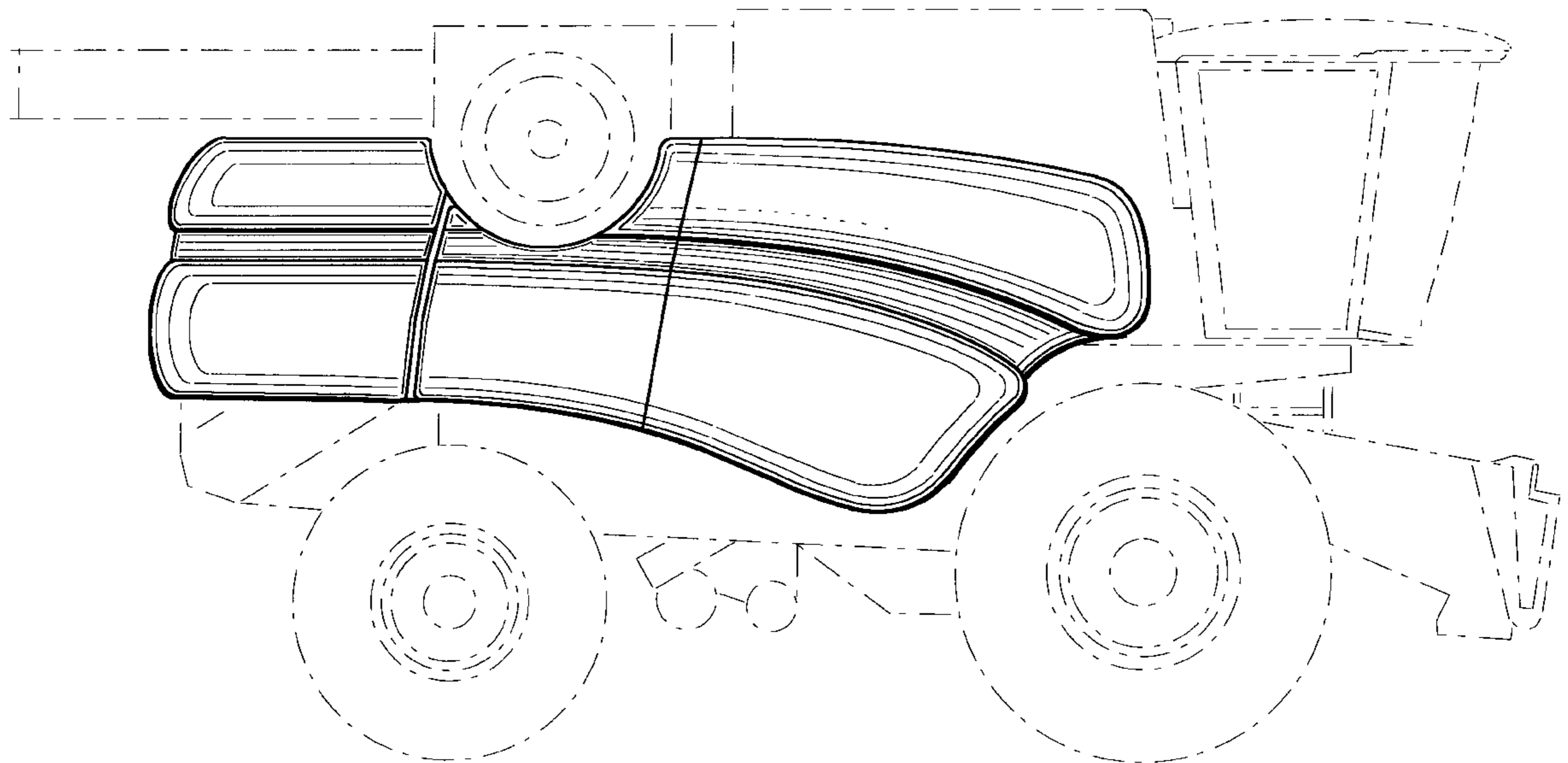
[57] **CLAIM**

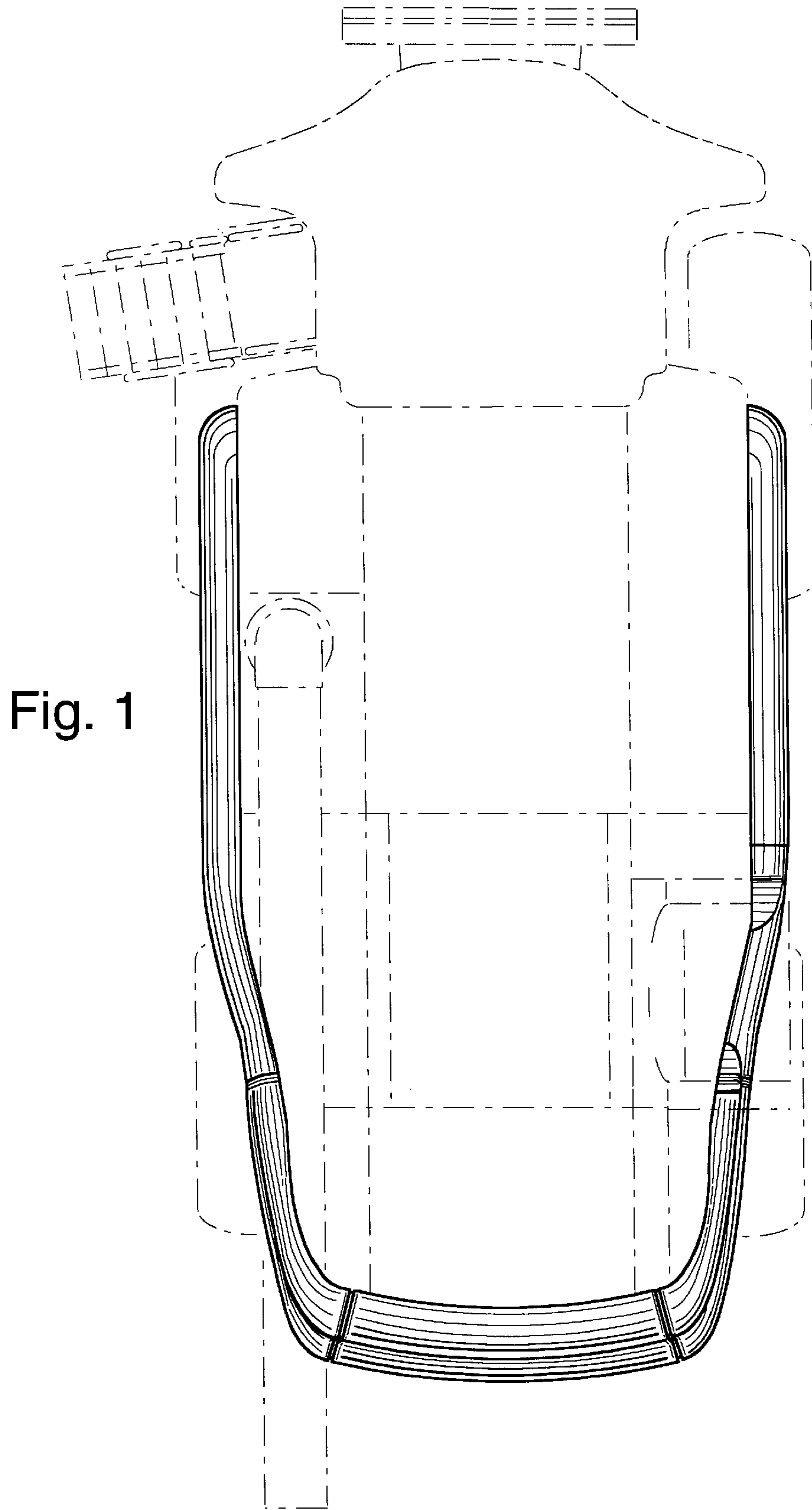
We claim the ornamental design for a shielding for a combine harvester, as shown and described.

DESCRIPTION

FIG. 1 is a top plan view of the shielding for a combine harvester, showing our new design; FIG. 2 is a front elevational view thereof; FIG. 3 is a rear elevational view thereof; FIG. 4 is a left side elevational view thereof; and, FIG. 5 is a right side elevational view thereof. The broken line showing the combine is for illustrative purposes only, and forms no part of the claimed design.

1 Claim, 5 Drawing Sheets





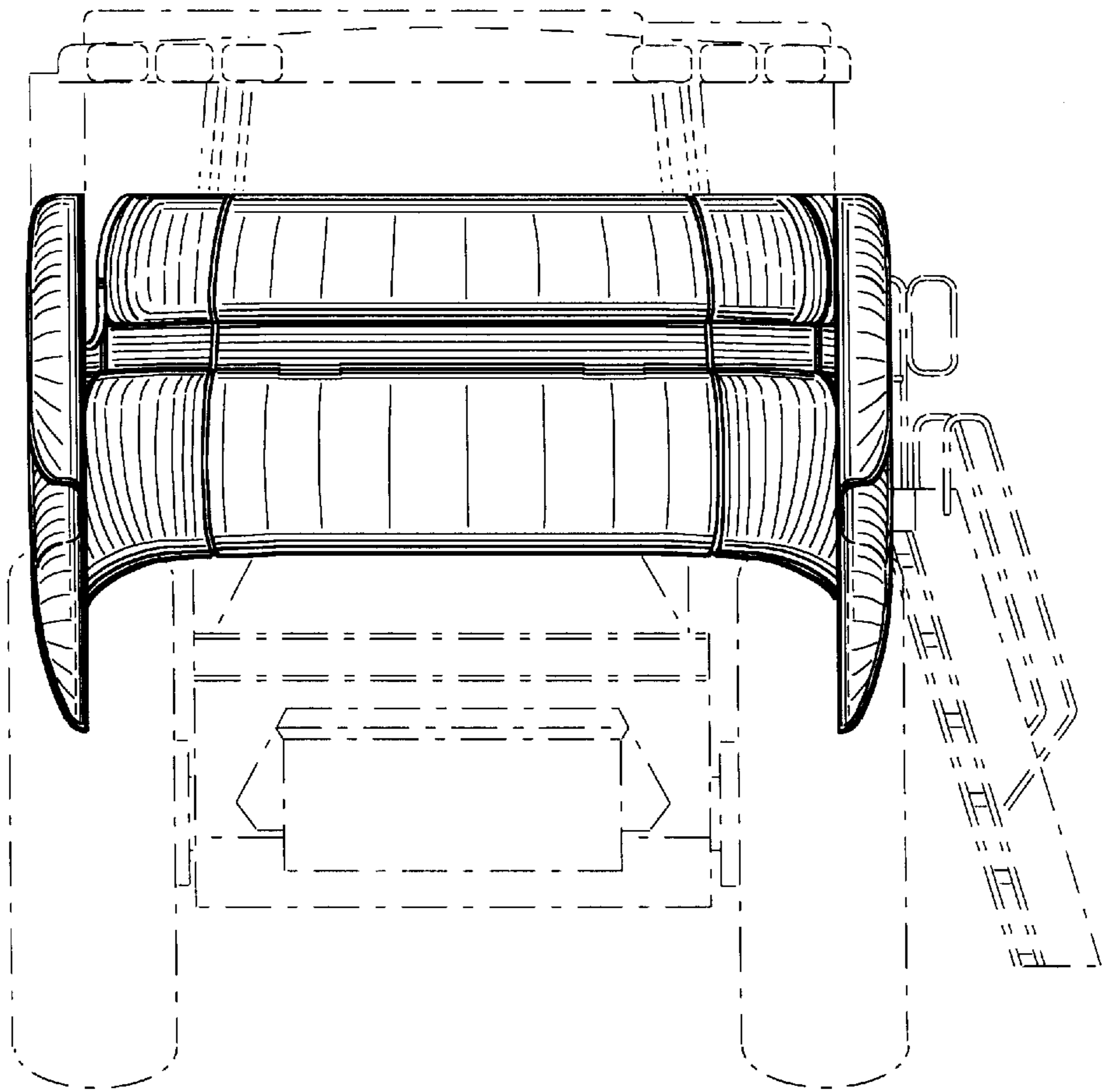


Fig. 2

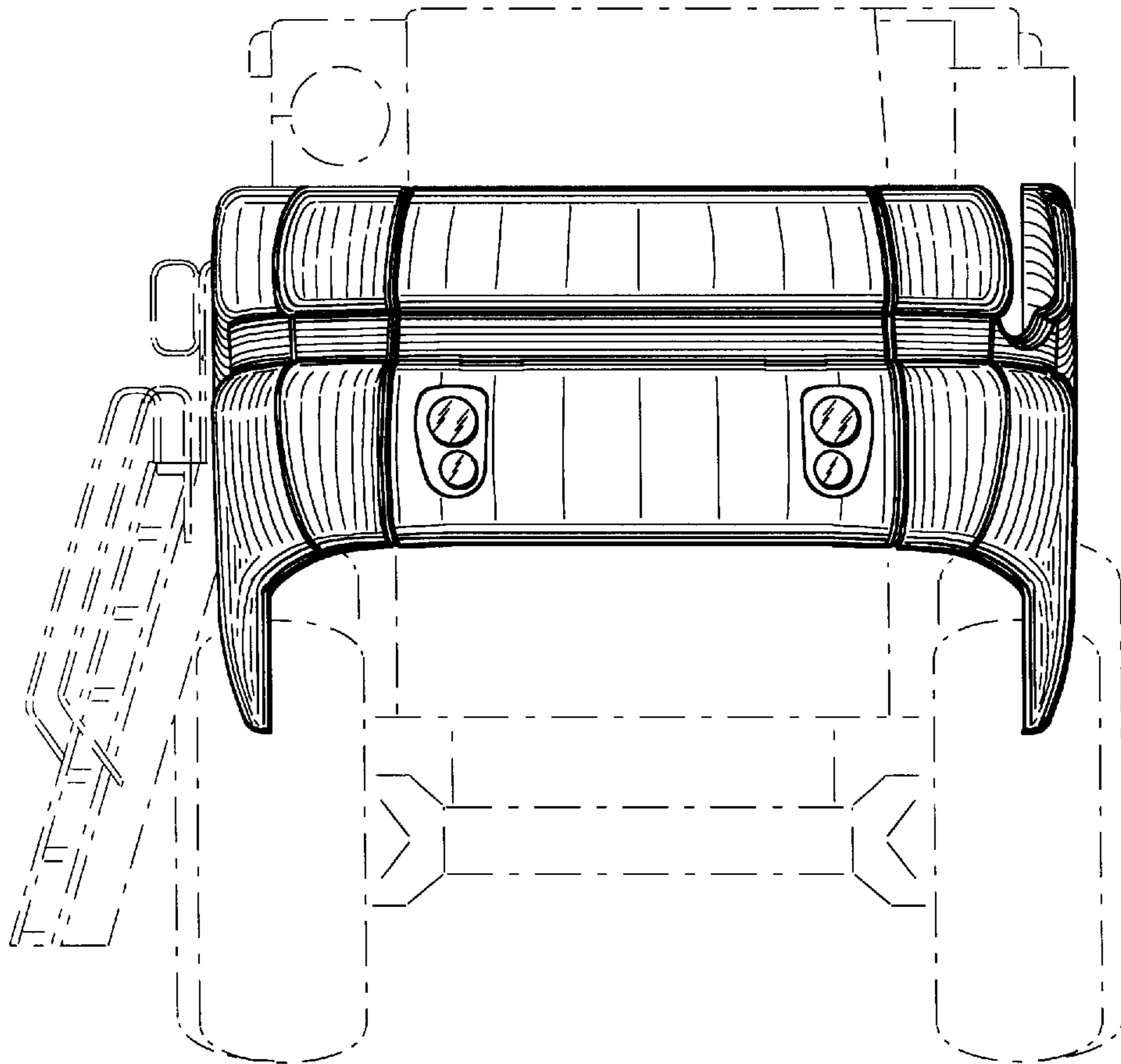


Fig. 3

Fig. 4

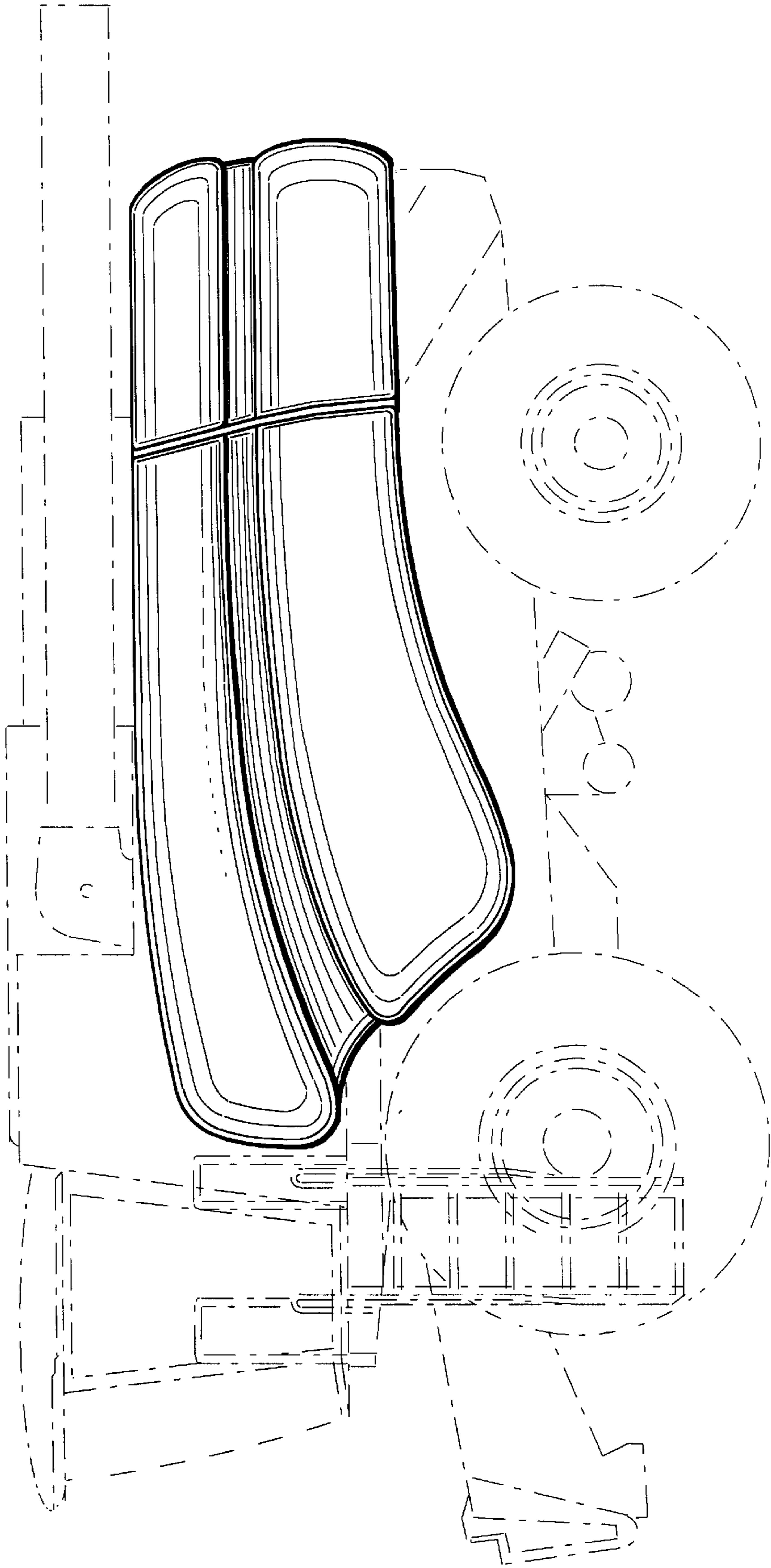


Fig. 5

