



US00D399849S

United States Patent [19] Sadr

[11] **Patent Number: Des. 399,849**

[45] **Date of Patent: **Oct. 20, 1998**

[54] **MODULAR RESONATOR**

5,541,374 7/1996 Sato et al. 181/272 X

[75] Inventor: **Changize Sadr**, North York, Canada

Primary Examiner—Joel Sincavage
Attorney, Agent, or Firm—George A. Seaby

[73] Assignee: **ABC Group**, Rexdale, Canada

[**] Term: **14 Years**

[57] **CLAIM**

[21] Appl. No.: **66,105**

The ornamental design for a modular resonator, as shown and described.

[22] Filed: **Feb. 6, 1997**

DESCRIPTION

[51] **LOC (6) Cl.** **15-01**

[52] **U.S. Cl.** **D15/5**

[58] **Field of Search** D13/123; D15/5;
333/202, 219.1, 219; 181/272, 282

FIG. 1 is an isometric view from above and one end of the modular resonator showing my new design; and,

FIG. 2 is an isometric view from below and the other end thereof.

[56] **References Cited**

U.S. PATENT DOCUMENTS

D. 367,656 3/1996 Cacciaccaro et al. D15/5

1 Claim, 1 Drawing Sheet

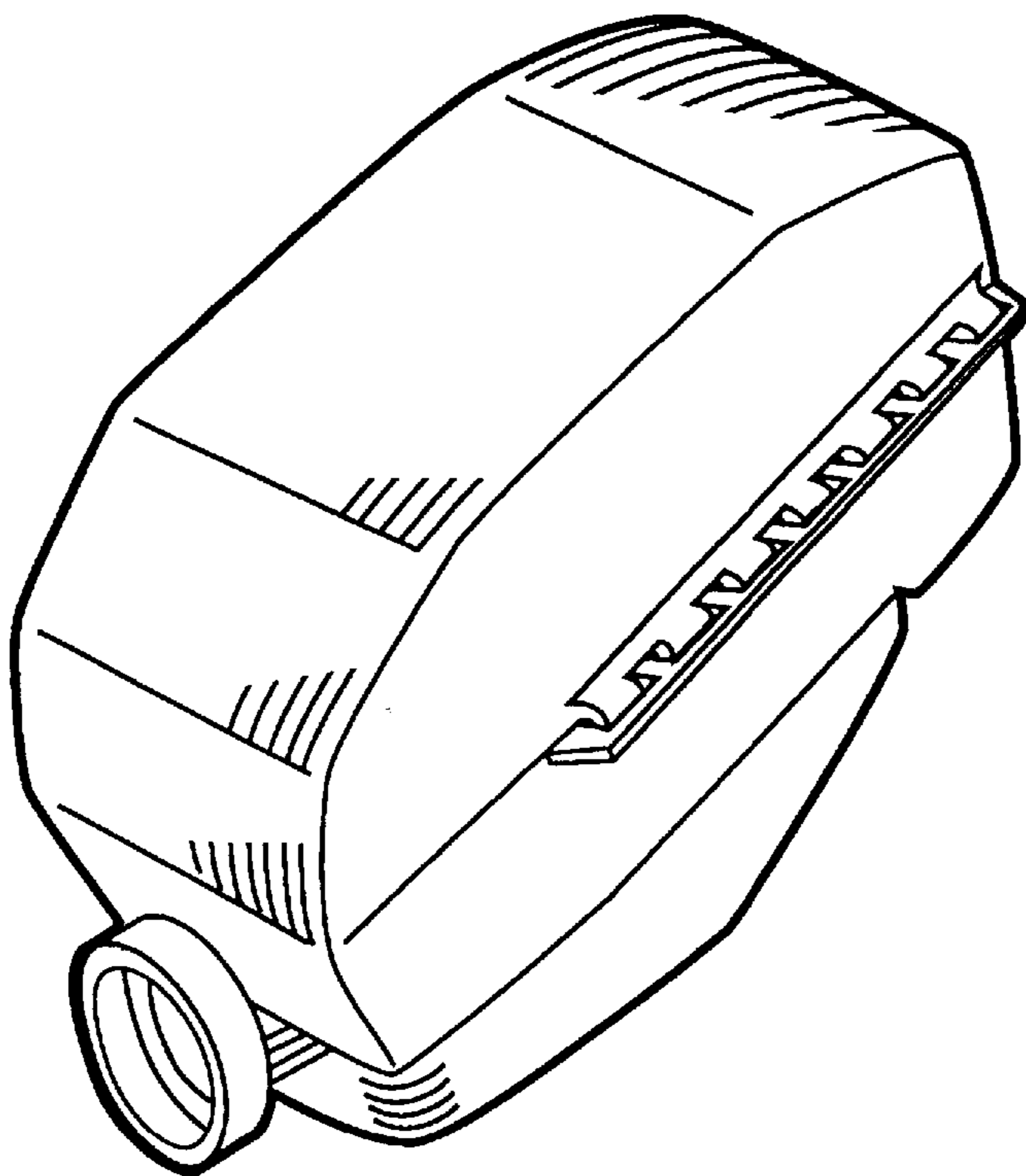


FIG 1

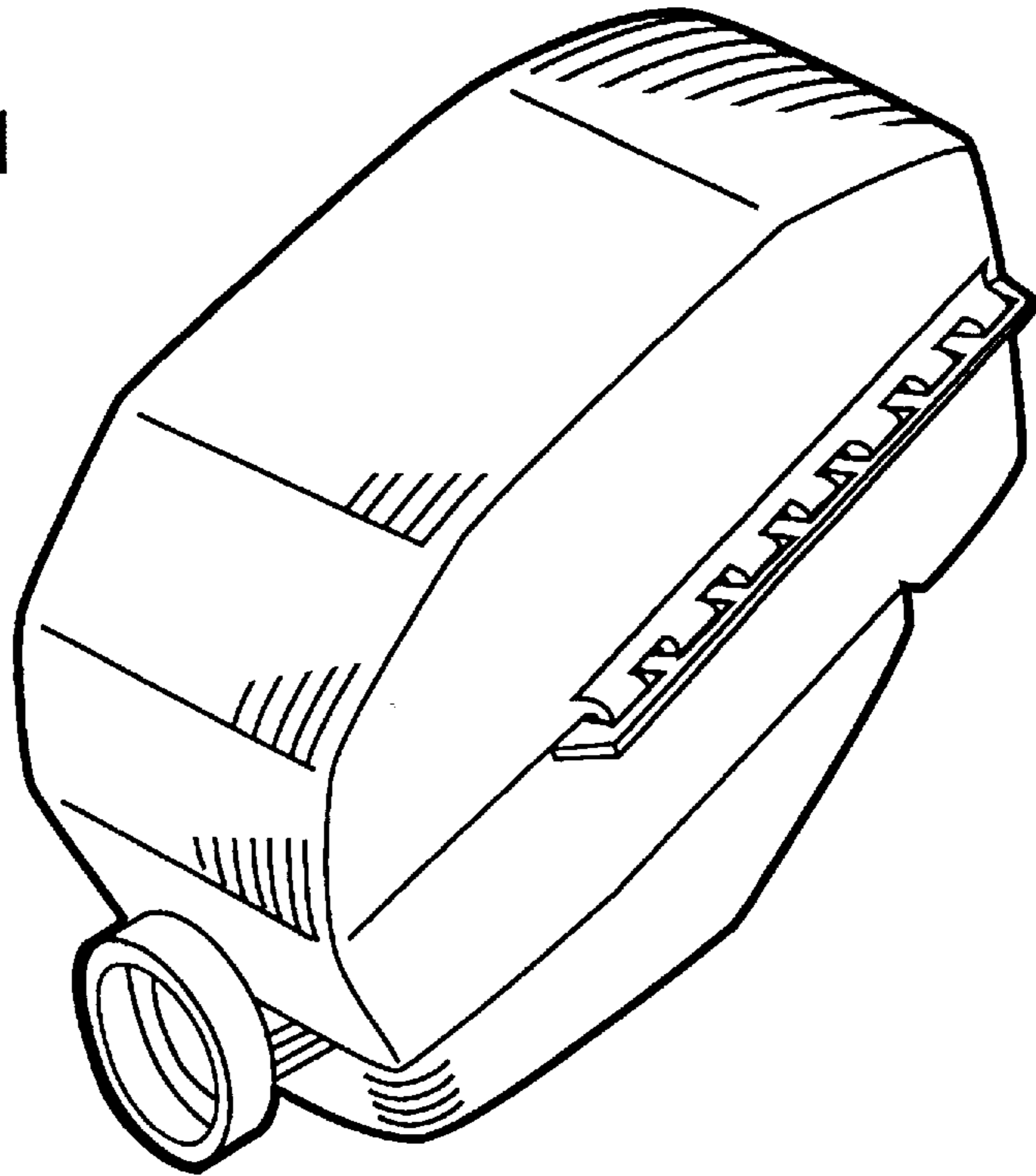


FIG 2

