



US00D399848S

# United States Patent [19]

Hebblewhite et al.

[11] Patent Number: Des. 399,848

[45] Date of Patent: \*\*Oct. 20, 1998

[54] MOUNT FOR MULTICOMMUNICATOR

[75] Inventors: **Malcolm Hebblewhite; Robert Matchett**, both of Cremorne, Australia

[73] Assignee: **Nokia Mobile Phones Limited**, Espoo, Finland

[\*\*] Term: **14 Years**

[21] Appl. No.: **58,735**

[22] Filed: **Aug. 22, 1996**

[30] Foreign Application Priority Data

Feb. 23, 1996 [FI] Finland ..... 139/96

[51] LOC (6) Cl. .... **14-03**

[52] U.S. Cl. .... **D14/253**

[58] Field of Search ..... D13/107, 108; D14/251-253, 149, 140, 142, 240, 147, 148, 138; 379/455, 454, 446, 419, 428, 440

[56] References Cited

U.S. PATENT DOCUMENTS

- D. 210,885 4/1968 Eberhart ..... D13/108
- D. 316,416 4/1991 Cant et al. .... D14/252
- D. 319,061 8/1991 Powell et al. .... D14/240
- D. 320,992 10/1991 Jondelius ..... D14/253
- D. 321,885 11/1991 Sheldrake ..... D14/253
- D. 328,277 7/1992 Leman et al. .... D13/108
- D. 335,672 5/1993 Leman et al. .... D14/251
- D. 335,861 5/1993 Tattari ..... D13/108
- D. 339,809 9/1993 Ron ..... D14/253
- D. 350,540 9/1994 Hyvonen ..... D14/149
- D. 350,545 9/1994 Olkkola et al. .... D14/253

- D. 352,031 11/1994 Tattari et al. .... D14/149
- D. 354,961 1/1995 Richards et al. .... D14/253
- D. 356,798 3/1995 Rudkiewicz et al. .... D14/253
- D. 358,813 5/1995 Heiller et al. .... D14/149
- D. 358,821 5/1995 Hellier et al. .... D14/253
- D. 358,822 5/1995 Rudkiewicz et al. .... D14/253
- D. 360,723 7/1995 Kasai et al. .... D13/108 X
- D. 361,335 8/1995 Rudkiewicz et al. .... D14/253
- D. 362,004 9/1995 Nakano et al. .... D14/253
- D. 367,651 3/1996 Hellier et al. .... D14/149
- D. 369,797 5/1996 Hillier et al. .... D14/149
- 5,463,688 10/1995 Wijas ..... 379/446
- 5,535,274 7/1996 Braitberg et al. .... 379/455 X
- 5,568,548 10/1996 Repplinger ..... 379/454 X

FOREIGN PATENT DOCUMENTS

5-167657 7/1993 Japan ..... 379/455

Primary Examiner—Jeffrey Asch  
Attorney, Agent, or Firm—Perman & Green, LLP

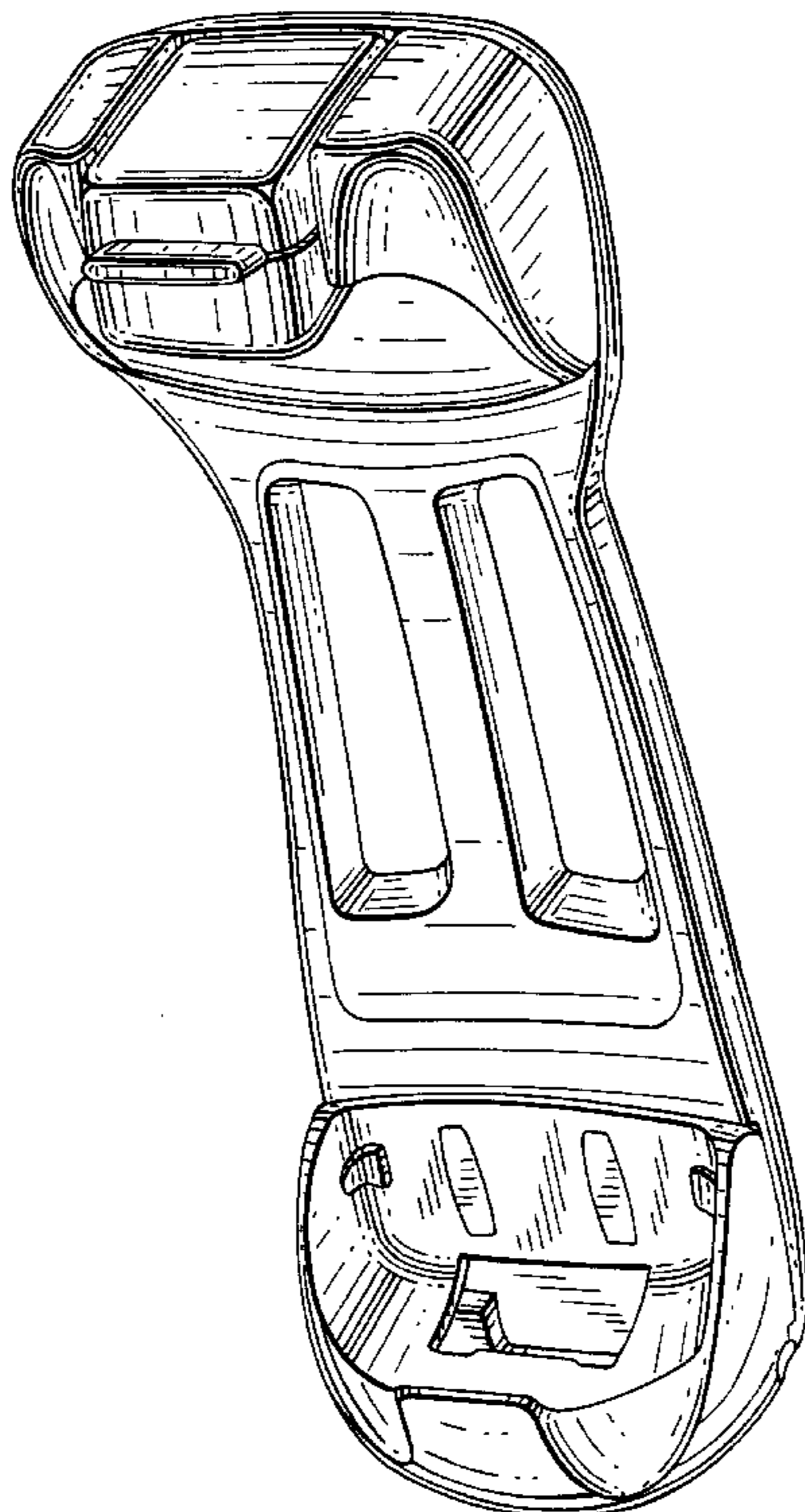
[57] CLAIM

The ornamental design for a “mount for multicommu-  
tor”, as shown and described.

DESCRIPTION

FIG. 1 is a front perspective view showing the right side and a top view of a mount for multicommu-  
tor showing our new design;  
FIG. 2 is a front elevation view thereof;  
FIG. 3 is a rear elevation view thereof;  
FIG. 4 is a side view as seen from the left side thereof;  
FIG. 5 is a side view as seen from the right side thereof;  
FIG. 6 is a top plan view thereof; and,  
FIG. 7 is a bottom plan view.

1 Claim, 6 Drawing Sheets



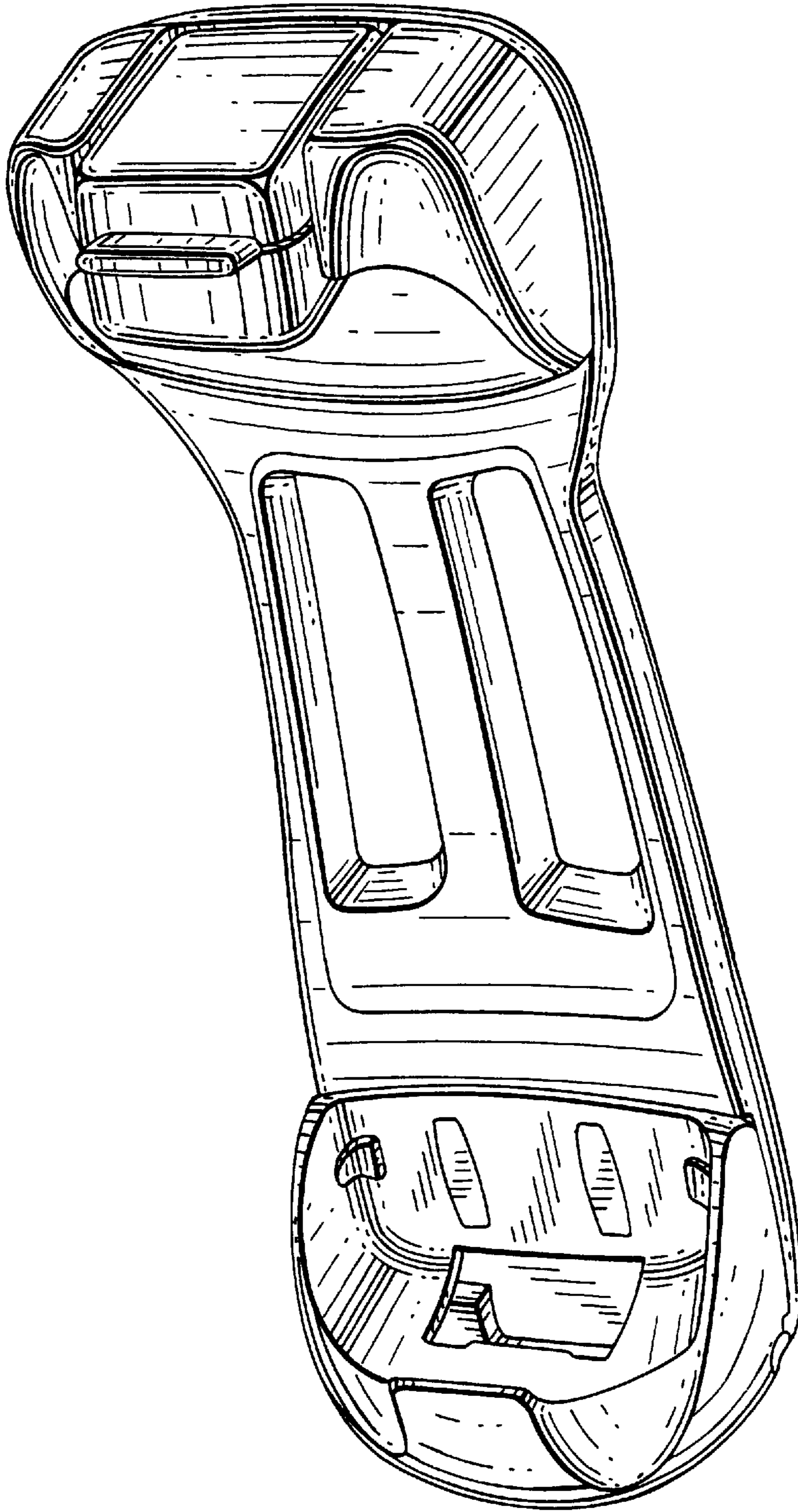


FIG. 1

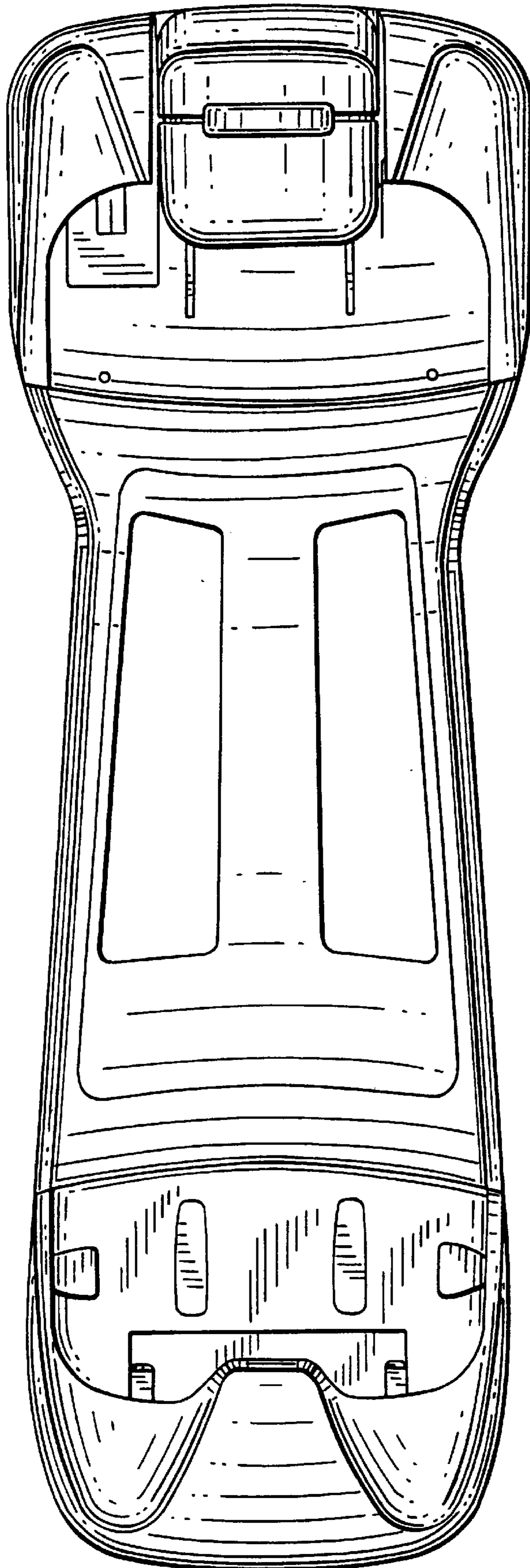


FIG. 2

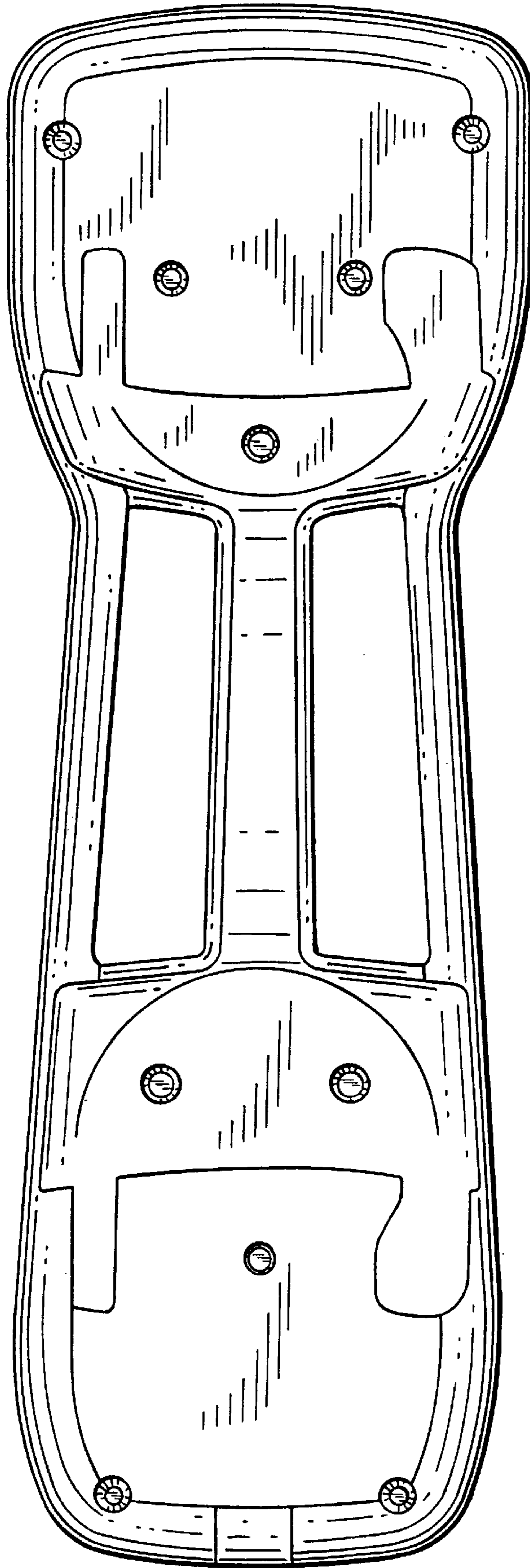


FIG. 3





FIG. 4

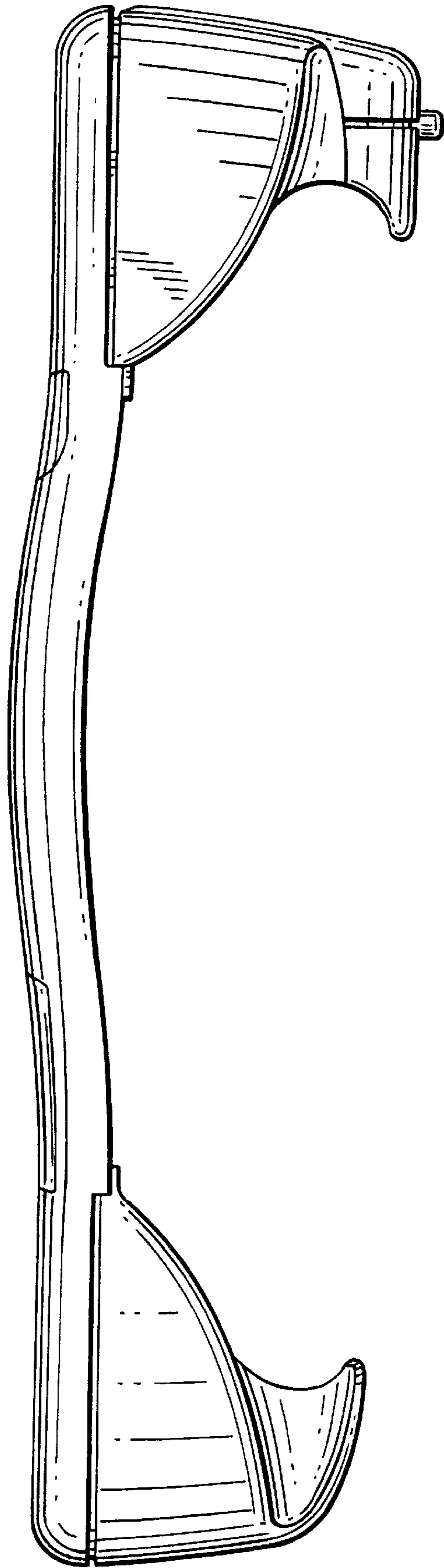


FIG. 5

FIG. 6

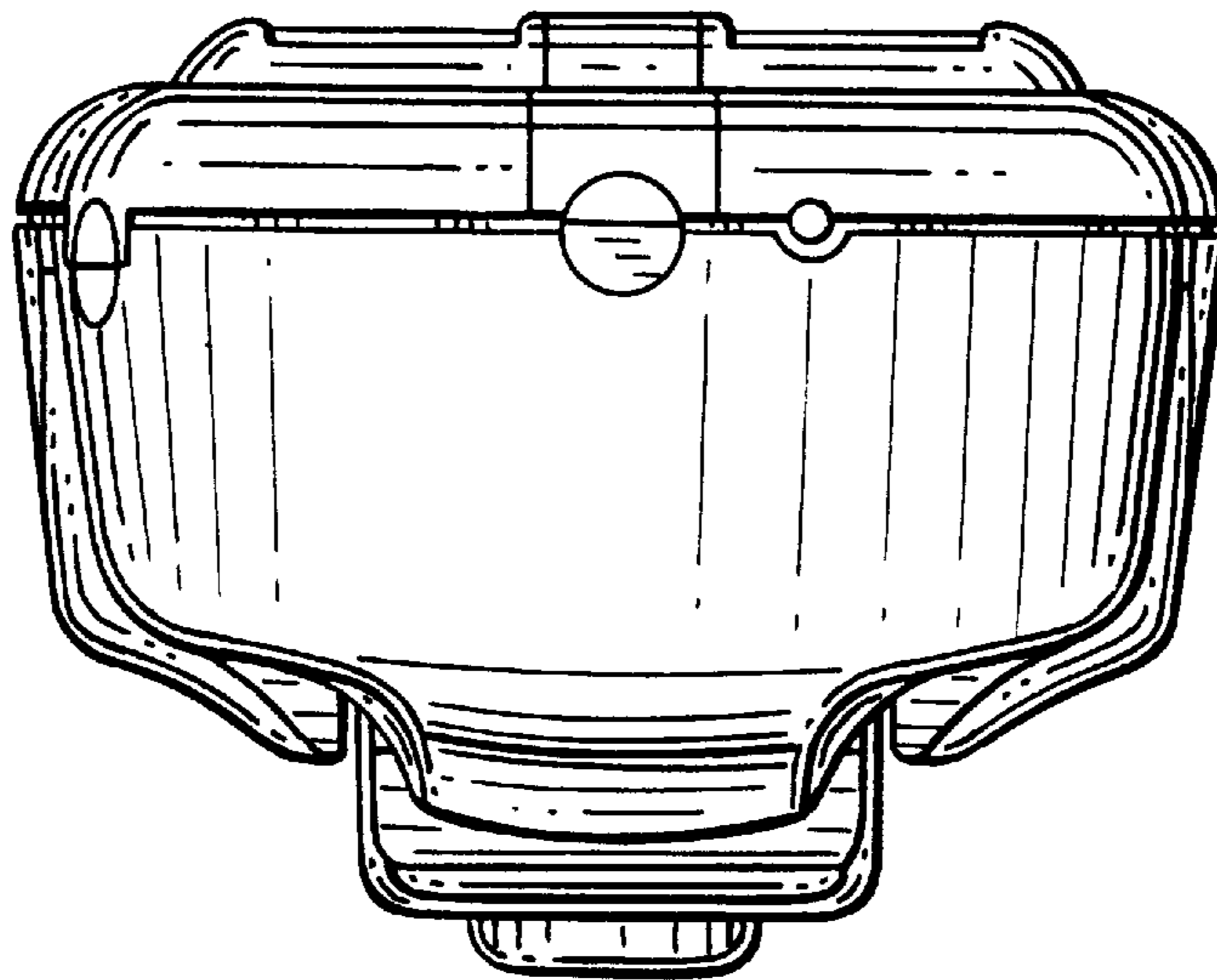
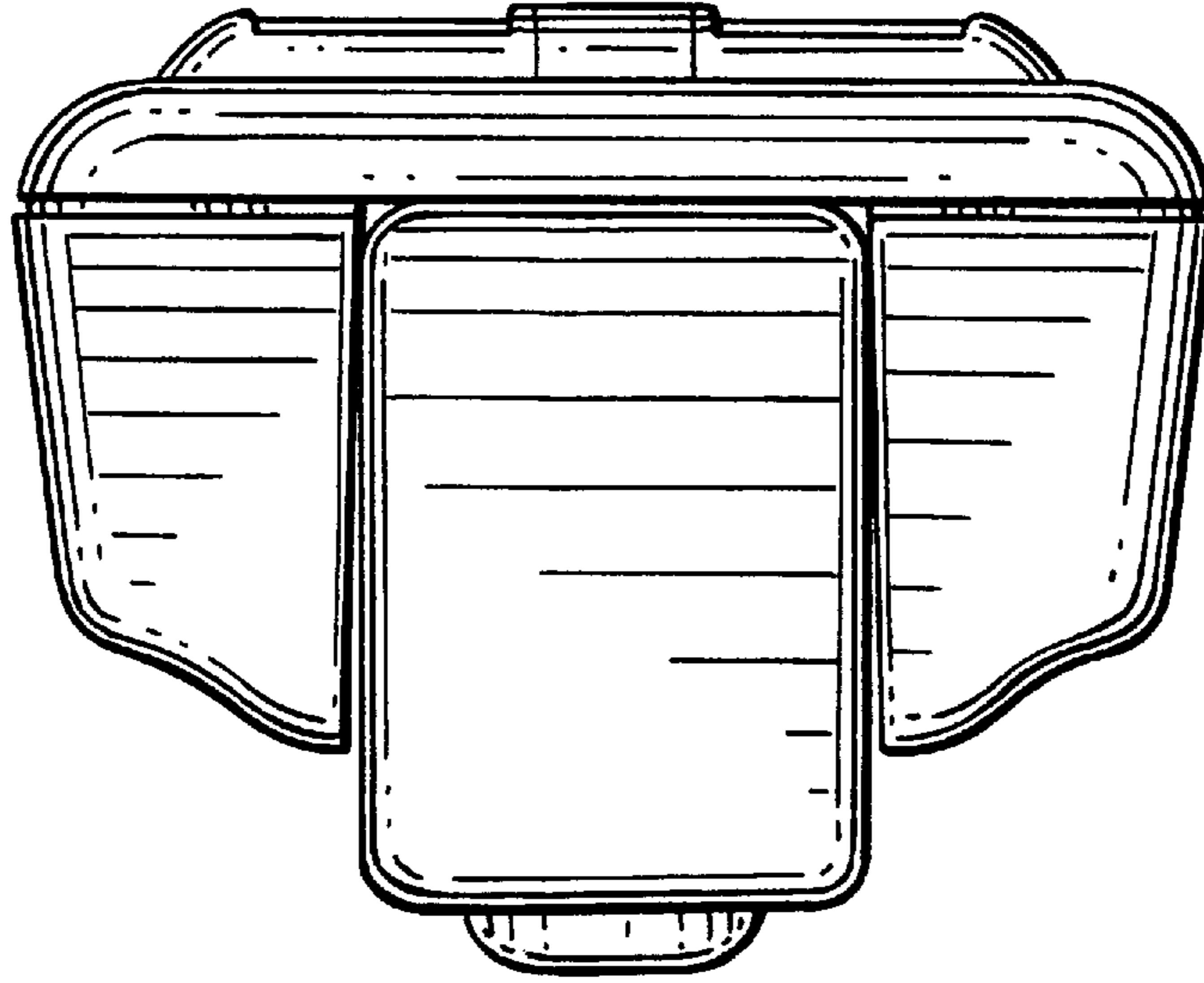


FIG. 7