



US00D399847S

United States Patent [19] Seifert

[11] **Patent Number: Des. 399,847**

[45] **Date of Patent: **Oct. 20, 1998**

[54] **COMBINED ANTENNA AND BASE**

[75] Inventor: **Charles A. Seifert**, Canton, Ohio

[73] Assignee: **Allen Telecom Inc.**, Solon, Ohio

[**] Term: **14 Years**

[21] Appl. No.: **78,349**

[22] Filed: **Oct. 10, 1997**

[51] **LOC (6) Cl. 14-03**

[52] **U.S. Cl. D14/230**

[58] **Field of Search** D14/230-238,
D14/204, 299; 343/781 R, 824-825, 872-873,
878, 888-890, 907-908, 912, DIG. 2, 713,
715

[56] **References Cited**

U.S. PATENT DOCUMENTS

| | | | |
|------------|---------|-------------------|---------|
| D. 262,370 | 12/1981 | Cowan et al. | D14/234 |
| D. 315,351 | 3/1991 | Velazquez | D14/234 |
| D. 321,886 | 11/1991 | Metivier | D14/238 |
| D. 348,886 | 7/1994 | Watanabe | D14/238 |

| | | | |
|-----------|---------|---------------------|---------|
| 2,473,141 | 6/1949 | Friedberg | D14/238 |
| 2,536,053 | 1/1951 | Grashow . | |
| 4,931,809 | 6/1990 | Putman et al. | 343/882 |
| 5,157,410 | 10/1992 | Konishi | 343/715 |
| 5,402,135 | 3/1995 | DeMarre et al. | 343/715 |

Primary Examiner—Ruth McInroy
Attorney, Agent, or Firm—Laff, Whitesel, Conte & Saret, Ltd.

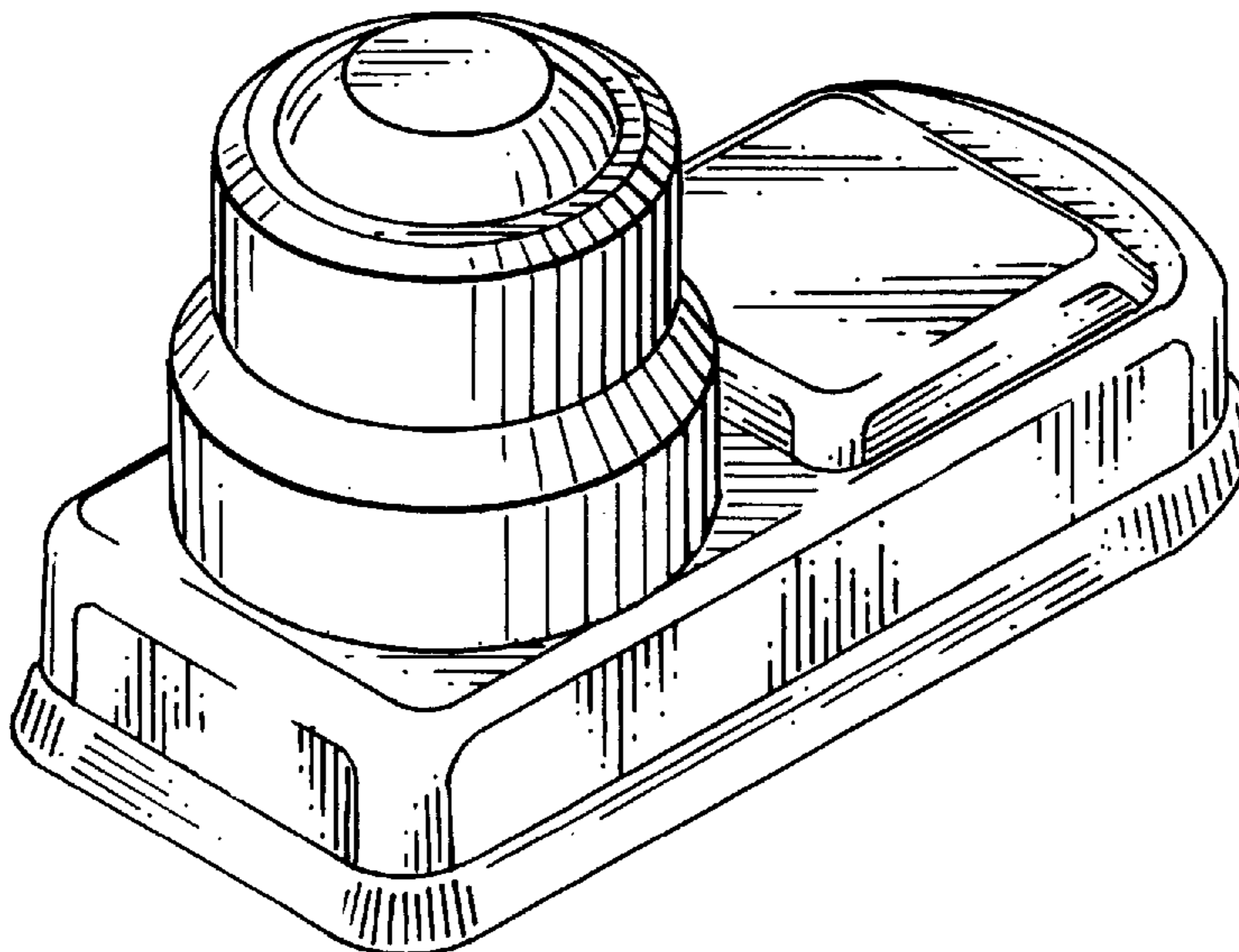
[57] **CLAIM**

The ornamental design for an combined antenna and base, as shown and described.

DESCRIPTION

FIG. 1 is a perspective view of a combined antenna and base showing my new design;
FIG. 2 is a top plan view thereof;
FIG. 3 is a left end elevational view thereof;
FIG. 4 is a side elevational view thereof, the opposite side being a mirror image;
FIG. 5 is a right end elevational view thereof; and,
FIG. 6 is a bottom plan view thereof.

1 Claim, 1 Drawing Sheet



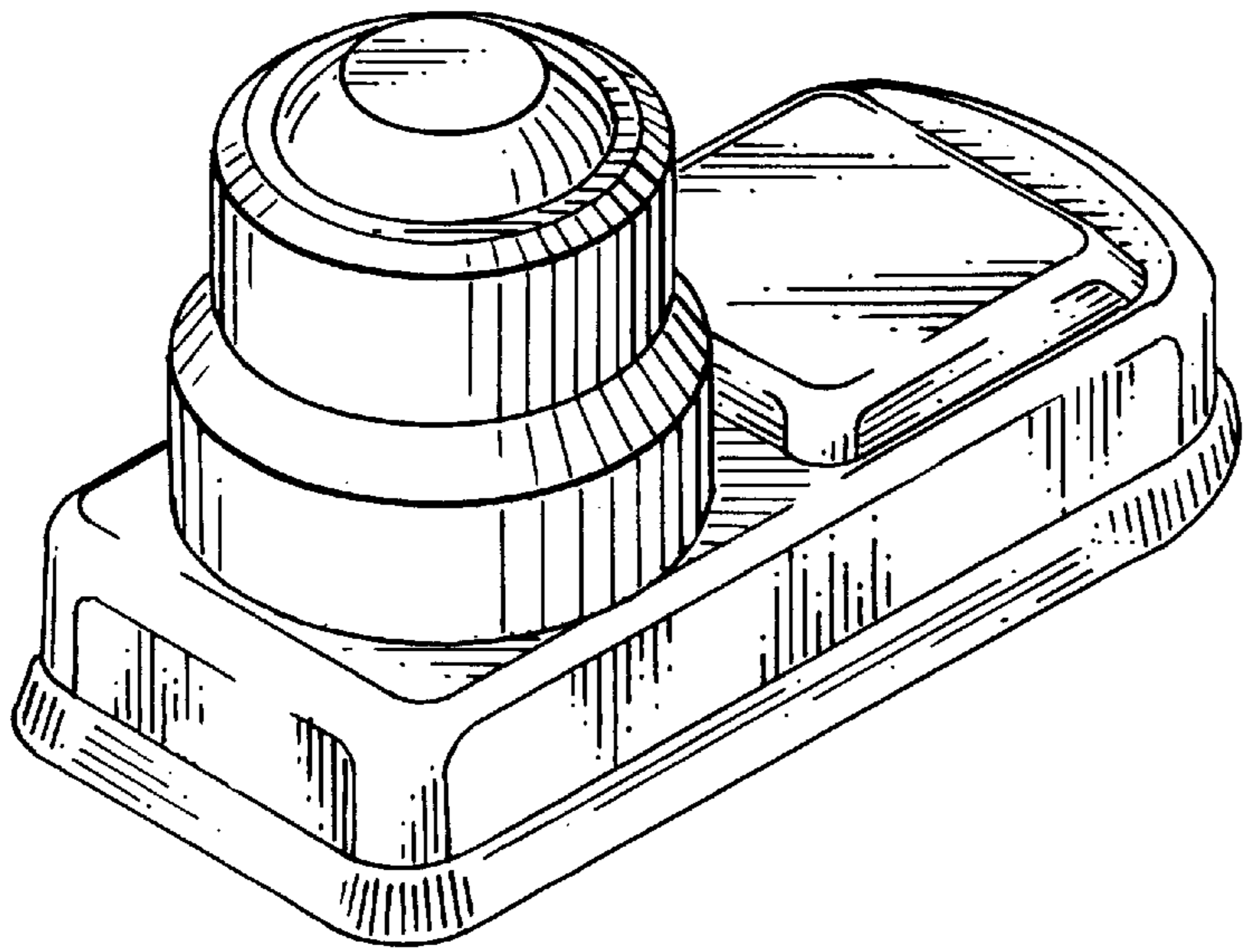


FIG. 1

FIG. 2

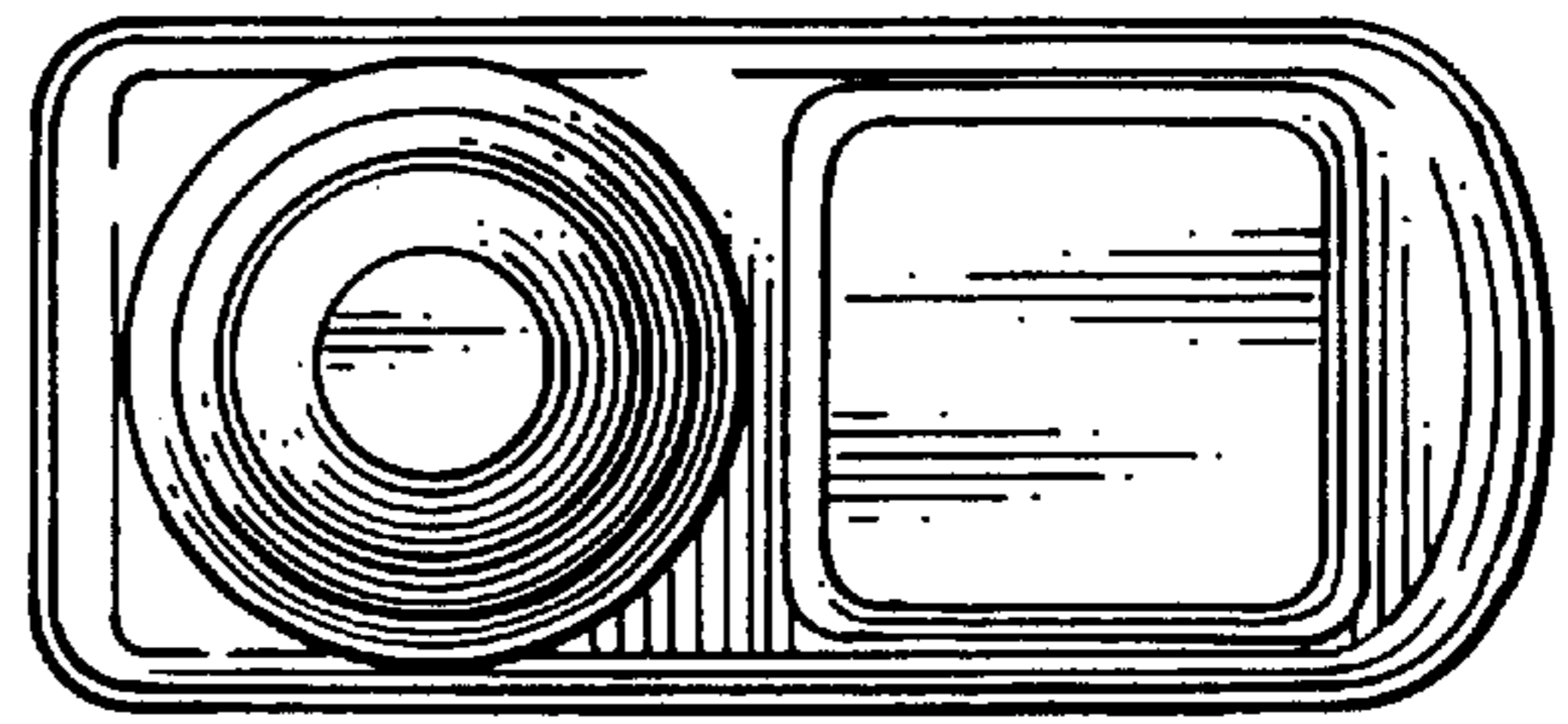


FIG. 3

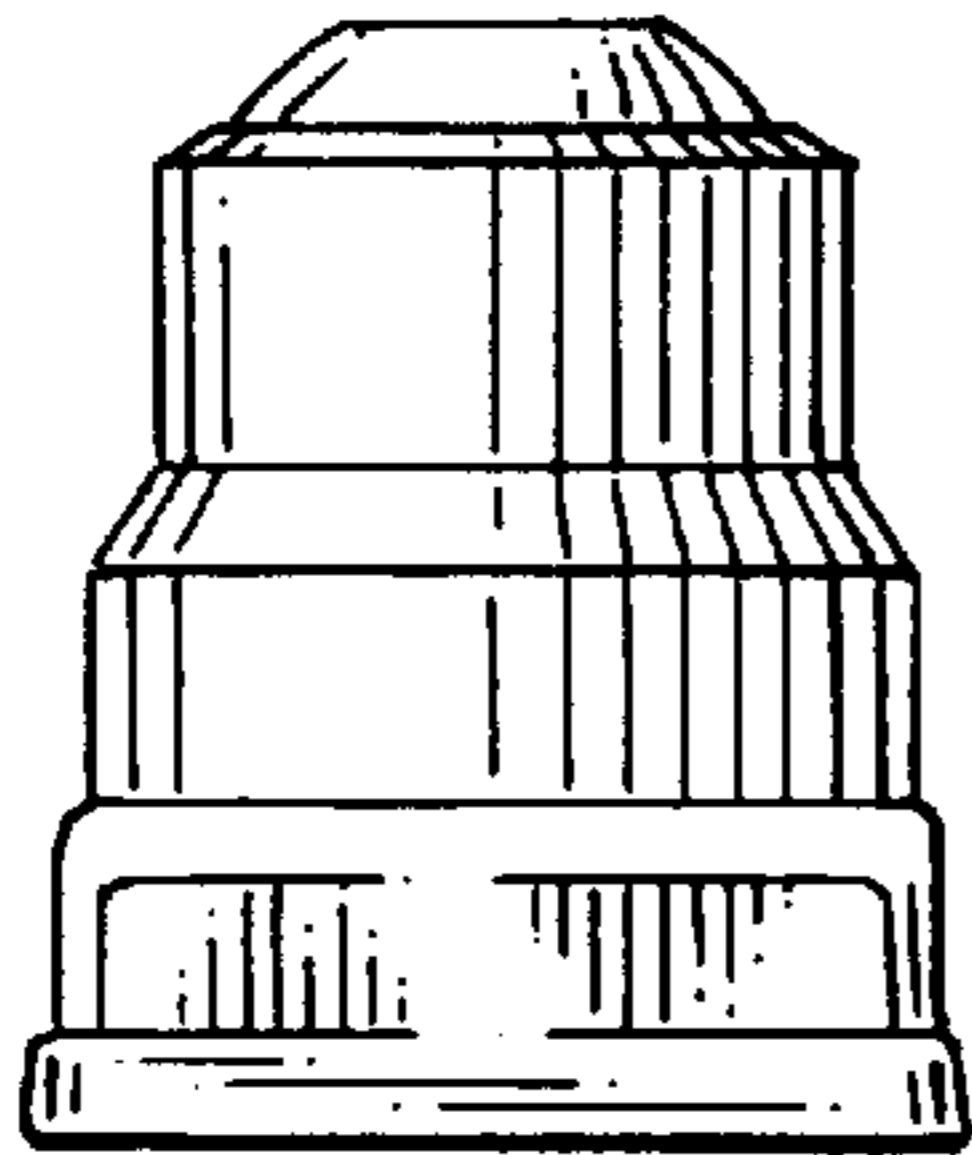


FIG. 4

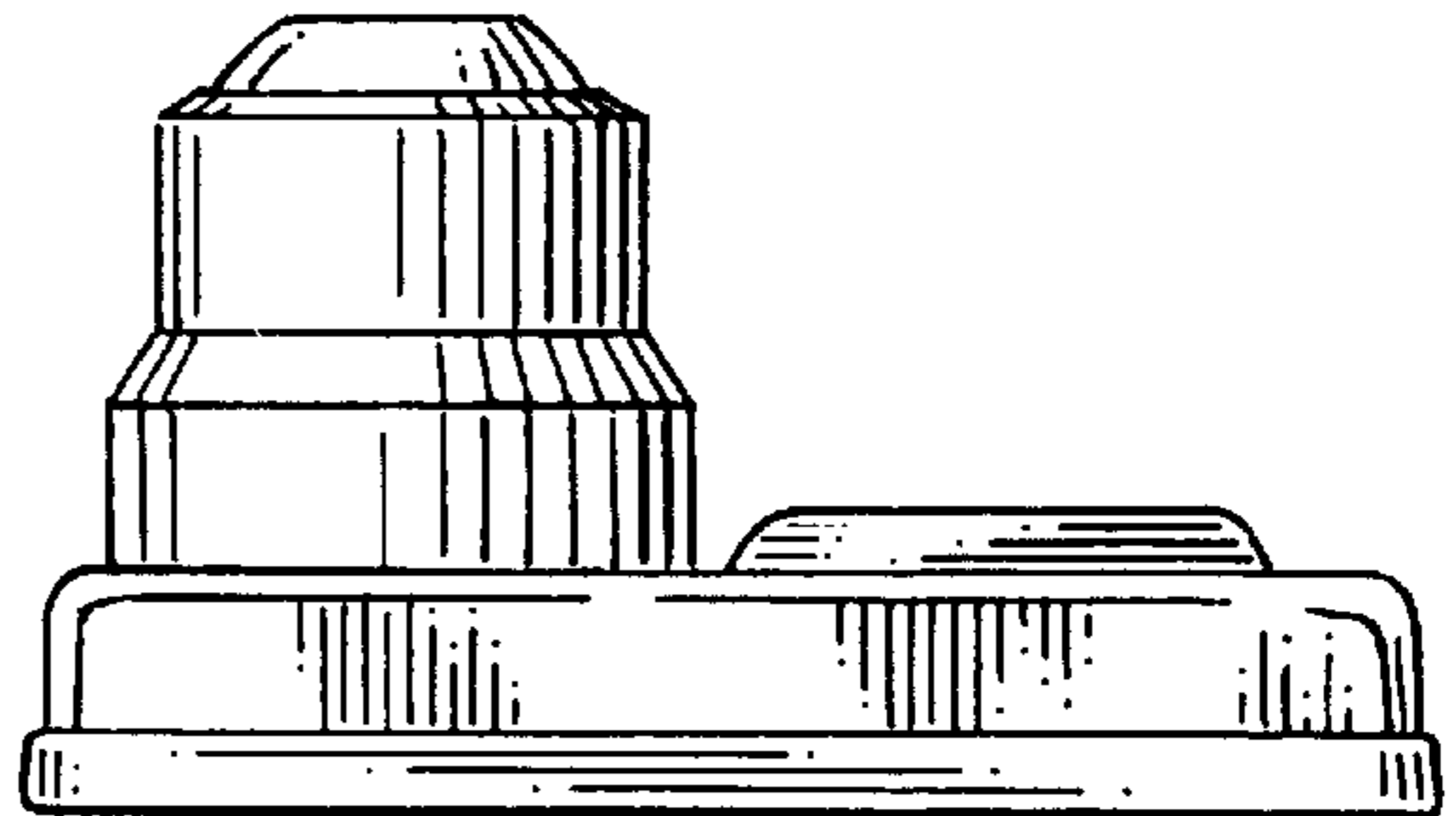


FIG. 5

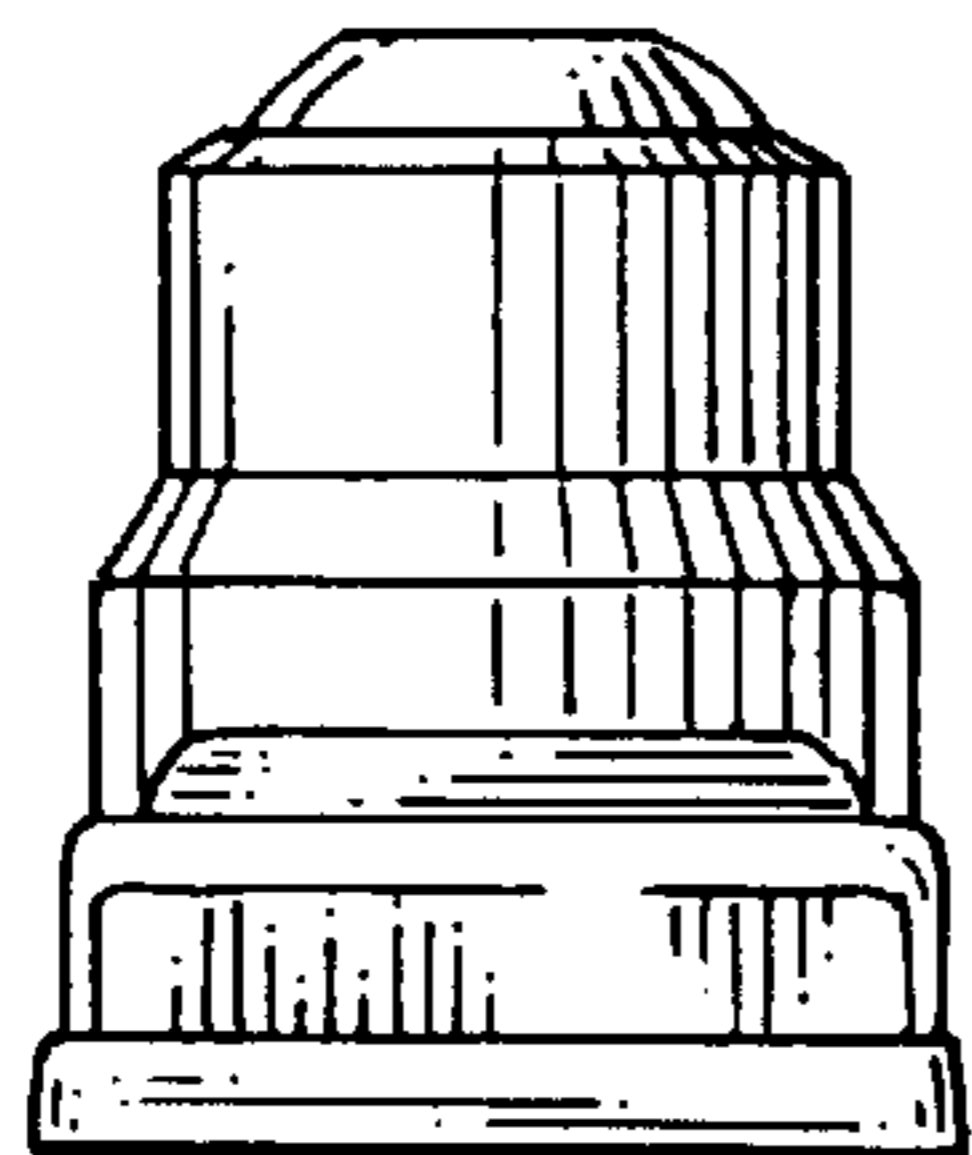


FIG. 6

