



US00D399834S

# United States Patent [19] Calfee

[11] Patent Number: Des. 399,834

[45] Date of Patent: \*\*Oct. 20, 1998

[54] VIDEO DISPLAY PEDESTAL

[75] Inventor: Clifford T. Calfee, Richardson, Tex.

[73] Assignee: Vu RYTE, Inc., Tyler, Tex.

[\*\*] Term: 14 Years

[21] Appl. No.: 68,316

[22] Filed: Mar. 31, 1997

### Related U.S. Application Data

[60] Continuation-in-part of Ser. No. 53,039, Apr. 12, 1996, Pat. No. Des. 390,546, which is a division of Ser. No. 32,207, Dec. 14, 1994, Pat. No. Des. 376,787, which is a continuation-in-part of Ser. No. 873,035, Apr. 22, 1992, Pat. No. Des. 375,298.

[51] LOC (6) Cl. .... 14-02

[52] U.S. Cl. .... D14/114

[58] Field of Search ..... D14/114, 100;  
248/346.01, 917-24, 121, 127, 176.1, 188.1,  
188.2; 361/679-86; D6/396, 449, 445, 491,  
495, 512; D13/184, 199

### [56] References Cited

#### U.S. PATENT DOCUMENTS

D. 263,724	4/1982	Laughlin	.....	D19/2
D. 283,323	4/1986	Cervero	.....	D14/114
D. 289,864	5/1987	Pecoff	.....	D6/495 X
D. 291,204	8/1987	Hampshire et al.	.....	D14/114
D. 296,852	7/1988	Buchweitz et al.	.....	6/449
D. 299,465	1/1989	Helstab	.....	D14/114
D. 303,959	10/1989	Suyama et al.	.....	D14/114
D. 334,921	4/1993	Basara et al.	.....	D14/114
D. 338,576	8/1993	Livi	.....	D6/495 X
D. 341,280	11/1993	Garmon	.....	D14/114
D. 362,244	9/1995	Takemasa	.....	D14/114
D. 375,298	11/1996	Calfee	.....	D14/114
D. 376,787	12/1996	Calfee	.....	D14/114
D. 389,819	1/1998	Yamazaki	.....	D14/114

2,660,117	11/1953	Knoll	.....	248/921 X
4,410,159	10/1983	McVicker et al.	.....	248/349
4,415,136	11/1983	Knoll	.....	248/181
4,542,872	9/1985	Marino et al.	.....	248/183
4,544,122	10/1985	Bumgardner	.....	248/346
4,577,187	3/1986	Barr et al.	.....	340/700
4,640,485	2/1987	Day et al.	.....	248/920 X
4,681,378	7/1987	Hellman, III	.....	312/108
4,875,179	10/1989	Gelman	.....	364/708
4,893,775	1/1990	Long	.....	248/442.2
5,104,086	4/1992	Ramey, III et al.	.....	248/442.2
5,160,104	11/1992	Sher	.....	248/176
5,250,851	10/1993	McKnight et al.	.....	307/38
5,263,668	11/1993	Rieter	.....	248/346
5,397,081	3/1995	Landry et al.	.....	248/346

### OTHER PUBLICATIONS

Catalog, "MAJESTY", p. 1, published by Osaka Cable Co., Ltd.

Primary Examiner—M. H. Tung  
Attorney, Agent, or Firm—Dennis T. Griggs

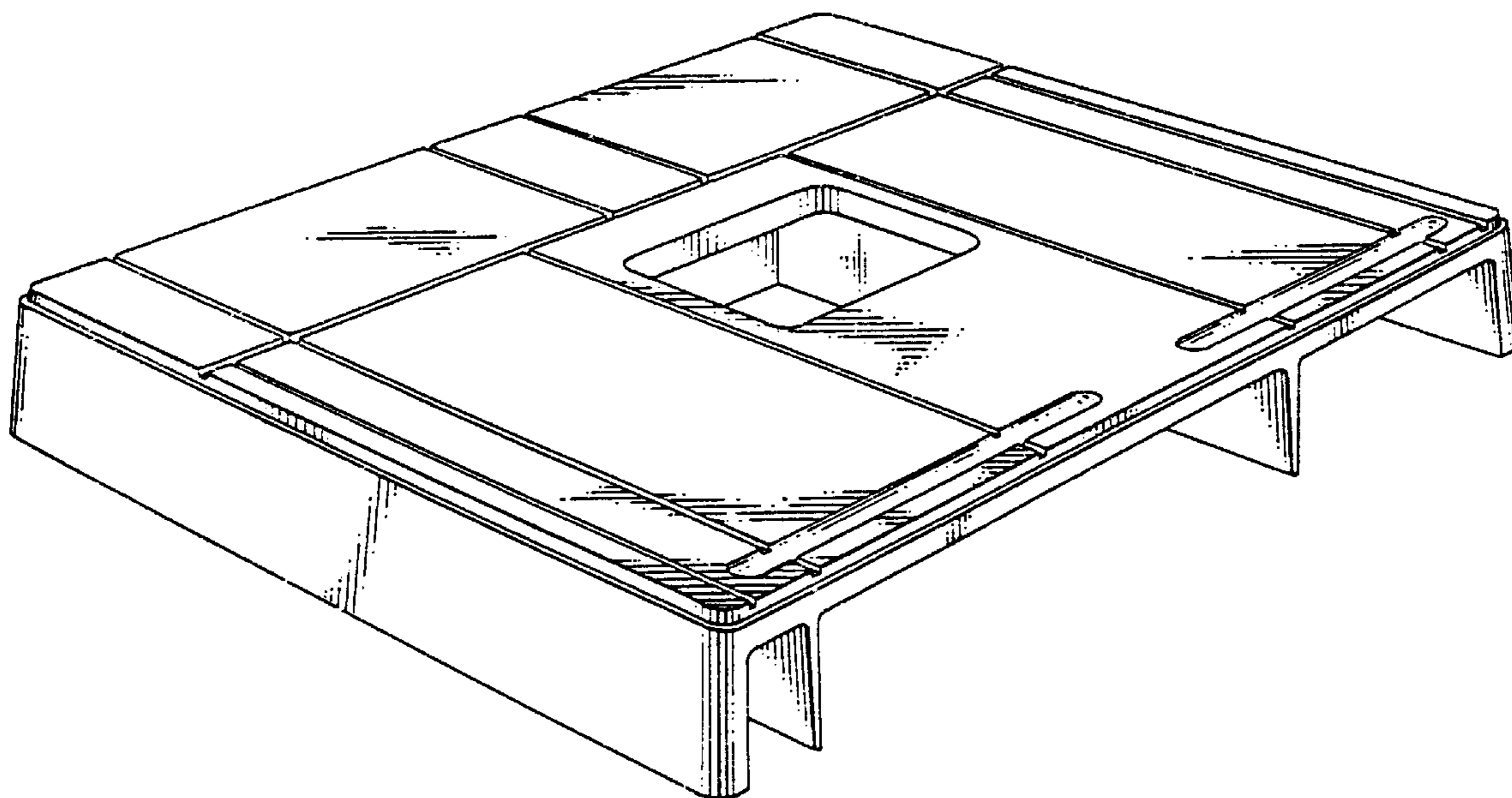
### [57] CLAIM

The ornamental design for a video display pedestal, as shown and described.

### DESCRIPTION

FIG. 1 is a front perspective view of a video display pedestal showing my new design;  
FIG. 2 is a top plan view thereof;  
FIG. 3 is a front elevational view thereof;  
FIG. 4 is the left side elevational view thereof;  
FIG. 5 is the right side elevational view thereof;  
FIG. 6 is the rear elevational view thereof; and,  
FIG. 7 is a perspective view thereof, with the broken line depiction of a video display unit being shown for illustrative purposes only and forming no part of the claimed design.  
The bottom of my video display pedestal is not ornamented.

1 Claim, 4 Drawing Sheets



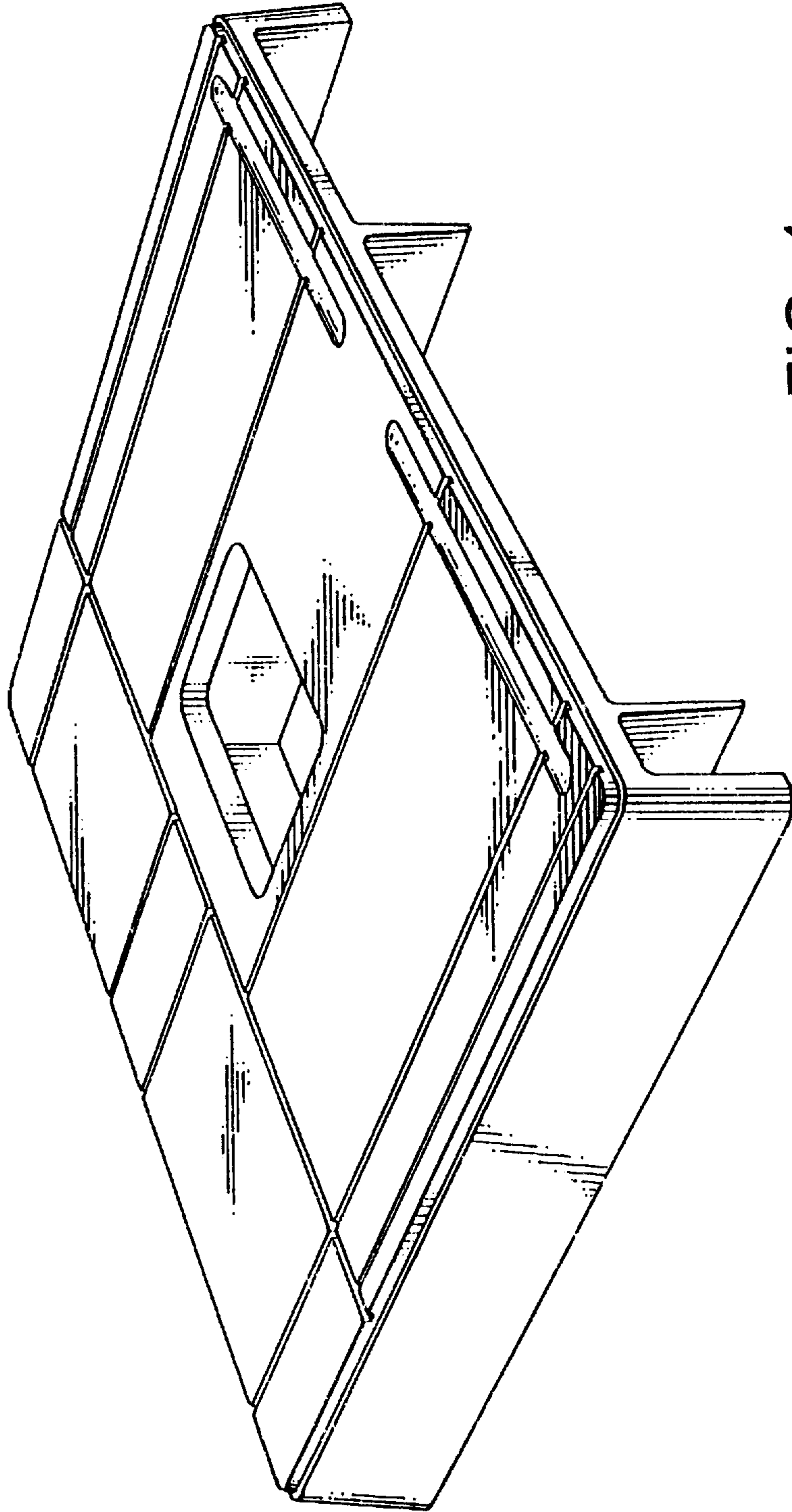


FIG. 1

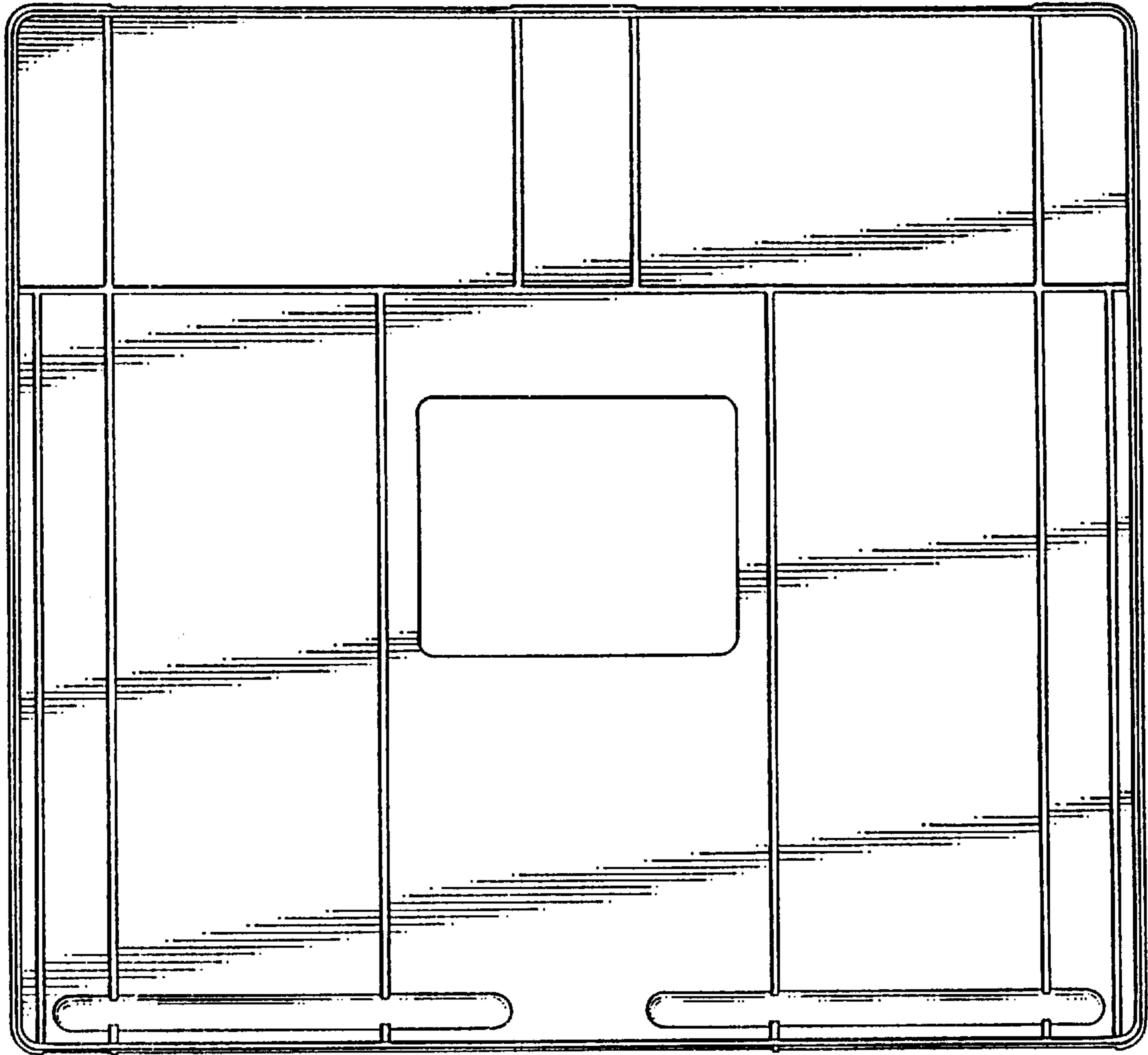


FIG. 2

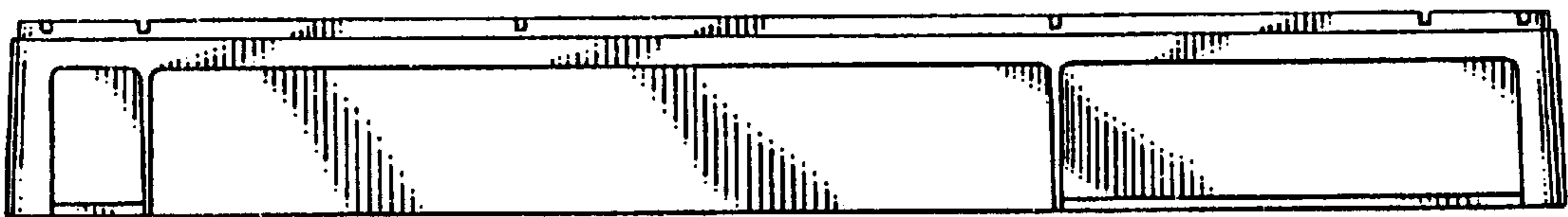


FIG. 3



FIG. 4

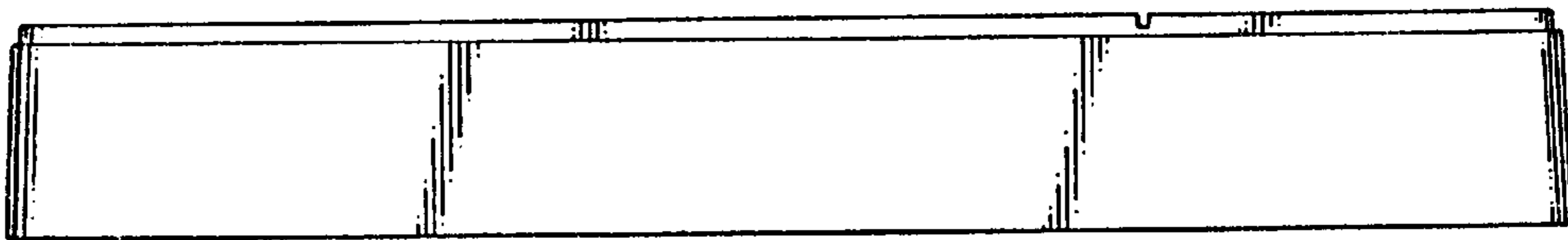


FIG. 5

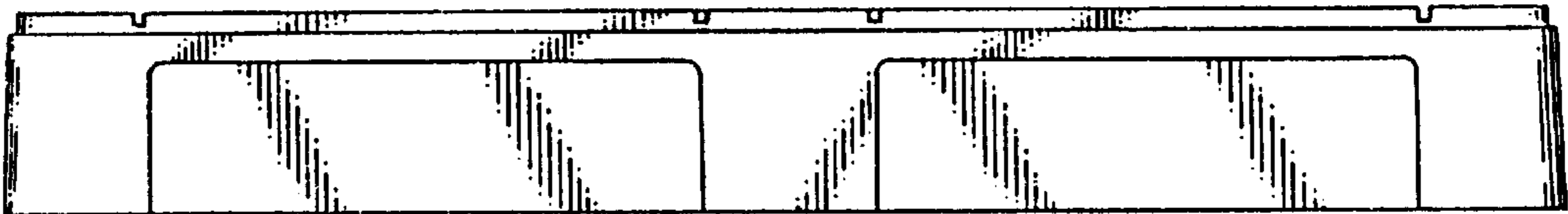


FIG. 6

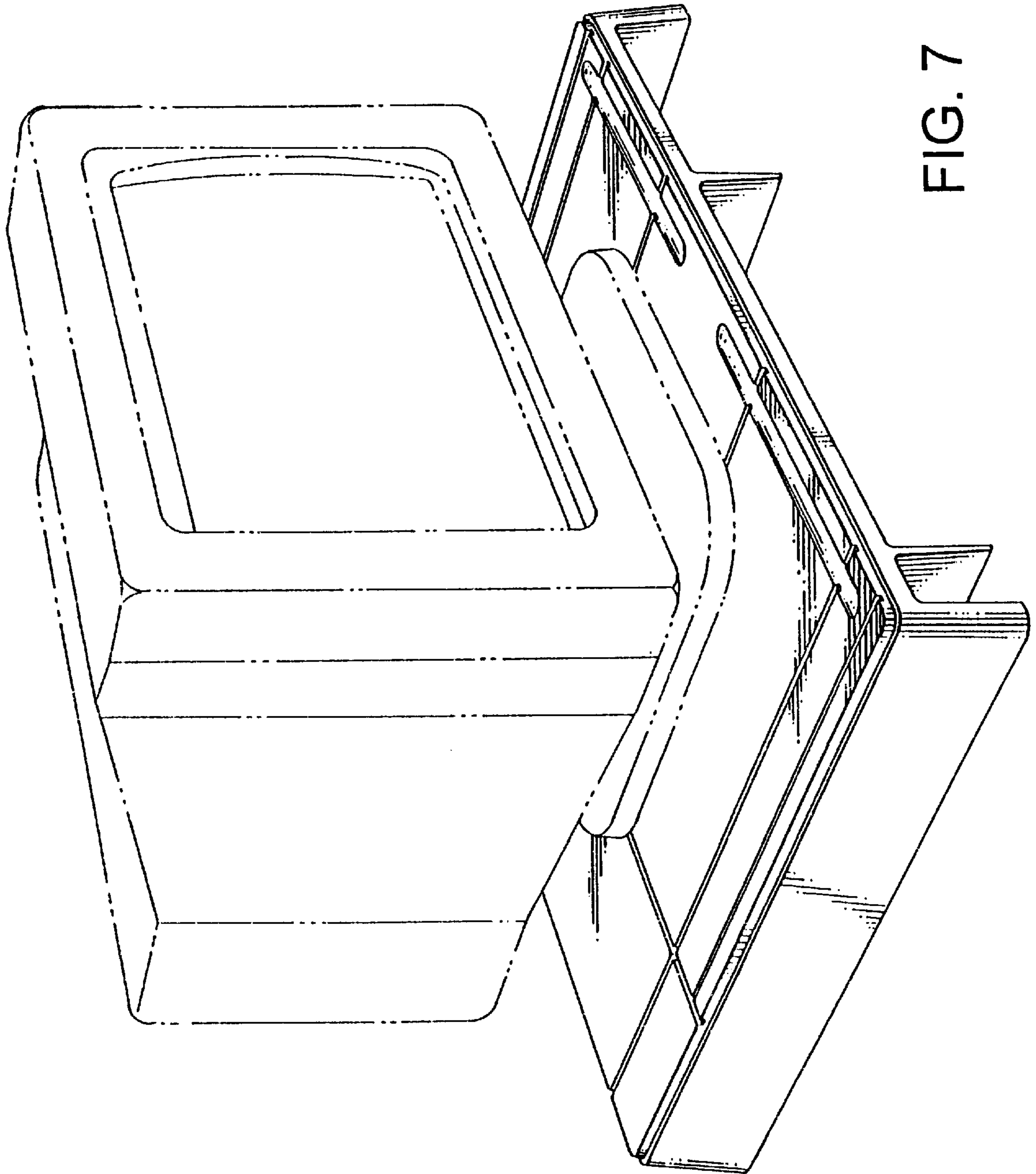


FIG. 7