



US00D399831S

# United States Patent [19]

**Dodson**

[11] **Patent Number: Des. 399,831**

[45] **Date of Patent: \*\*Oct. 20, 1998**

[54] **COOLING DEVICE**

[76] Inventor: **Douglas A. Dodson**, 5995 Avenida Encinas, Carlsbad, Calif. 92008

[\*\*] Term: **14 Years**

[21] Appl. No.: **69,566**

[22] Filed: **Apr. 29, 1997**

[51] **LOC (6) Cl. .... 13-03**

[52] **U.S. Cl. .... D13/179**

[58] **Field of Search .... D13/179; 174/16.3; 361/704, 709; 257/718, 719, 722**

[56] **References Cited**

**U.S. PATENT DOCUMENTS**

- D. 203,543 1/1966 Coe ..... D13/179
- D. 357,670 4/1995 Dodson ..... D13/179
- D. 367,469 2/1996 Widmayer et al. .... D13/179
- D. 375,725 11/1996 Dodson ..... D13/179

- D. 378,815 4/1997 Dodson ..... D13/179
- D. 379,799 6/1997 Widmayer et al. .... D13/179

*Primary Examiner*—Brian N. Vinson  
*Attorney, Agent, or Firm*—Calif Tervo

[57] **CLAIM**

The ornamental design for a cooling device, as shown and described.

**DESCRIPTION**

FIG. 1 is a perspective view of the top of a cooling device showing my new design;  
 FIG. 2 is a top plan view thereof;  
 FIG. 3 is a left side elevational view thereof;  
 FIG. 4 is a front elevational view thereof, the rear elevational view being a mirror image;  
 FIG. 5 is a perspective view of the bottom thereof;  
 FIG. 6 is a right side elevational view thereof; and,  
 FIG. 7 is a bottom plan view thereof.

**1 Claim, 2 Drawing Sheets**

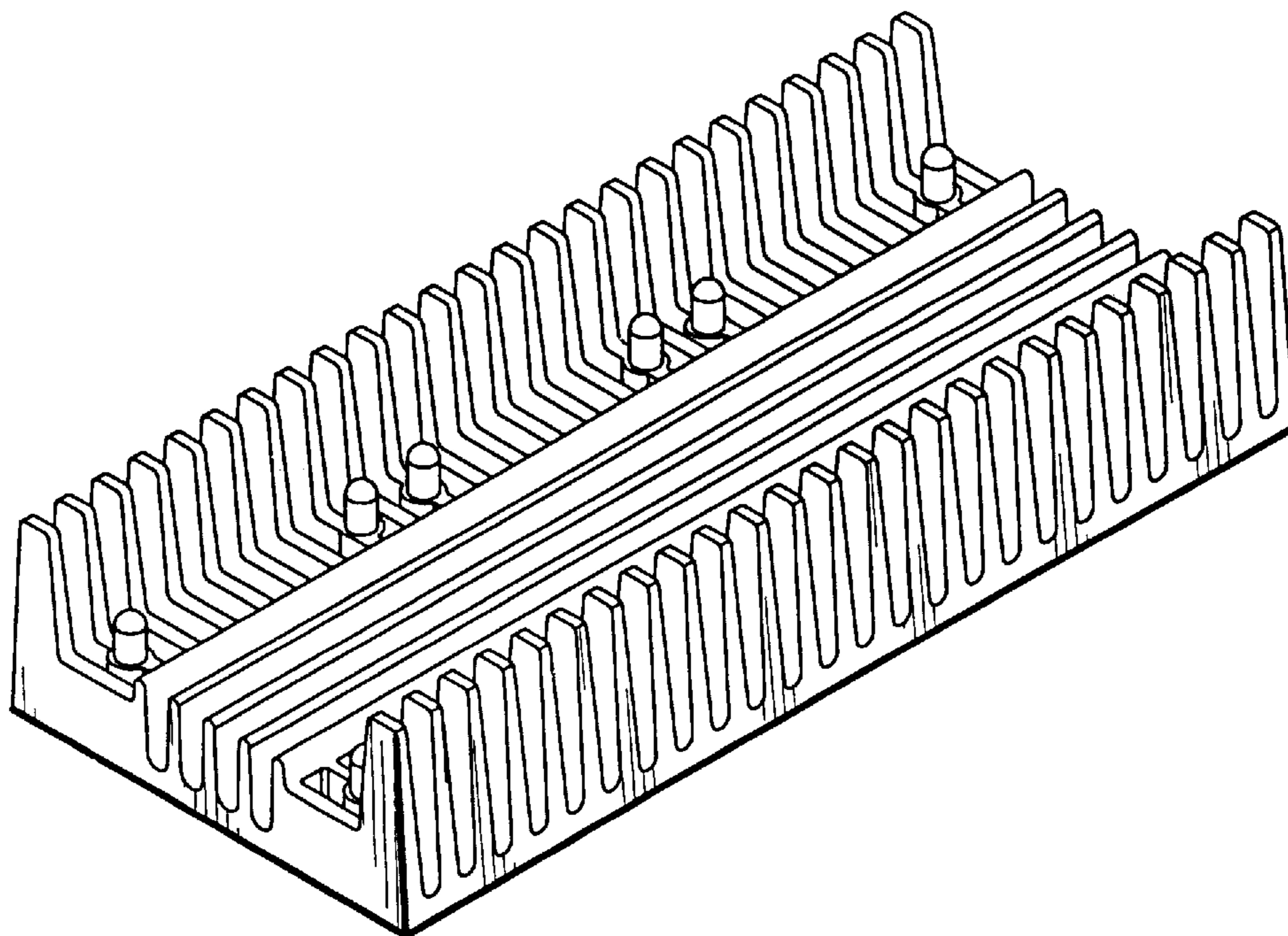


FIG. 1

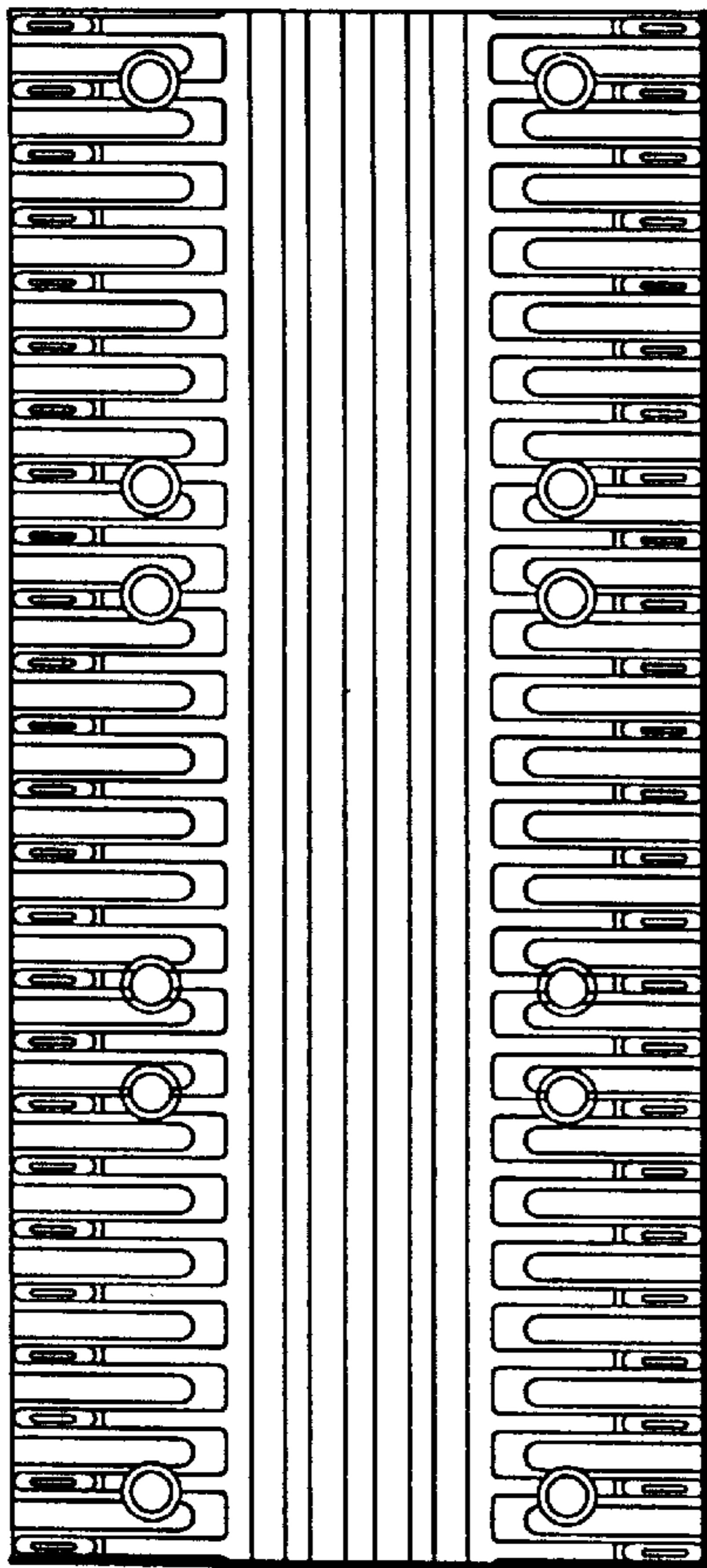
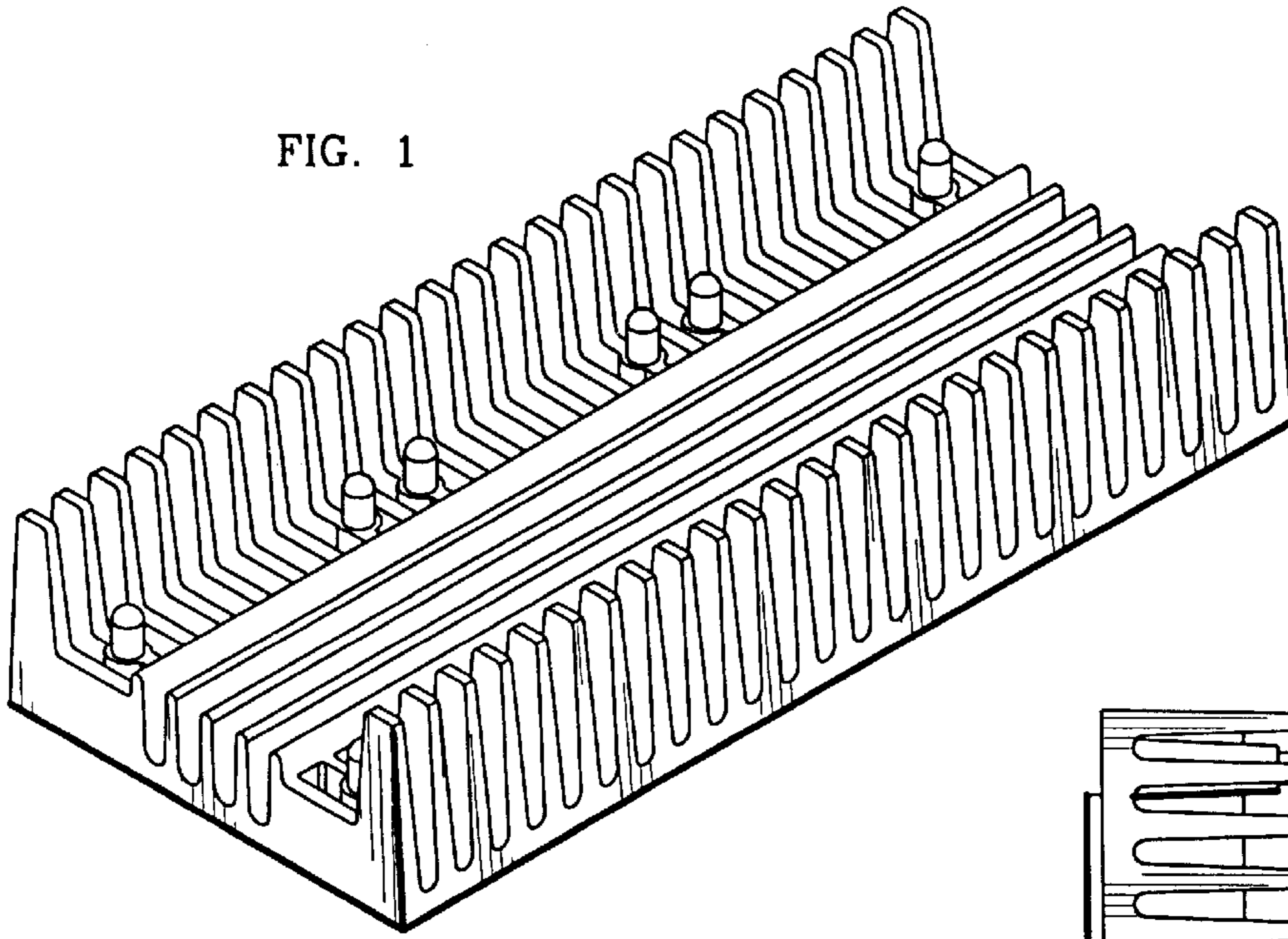


FIG. 2

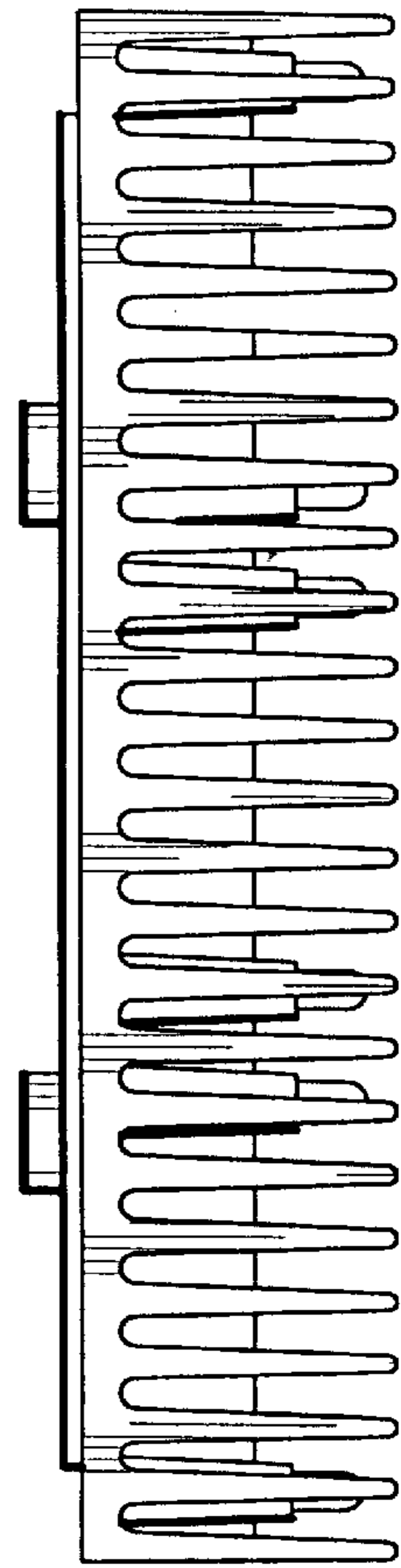


FIG. 3

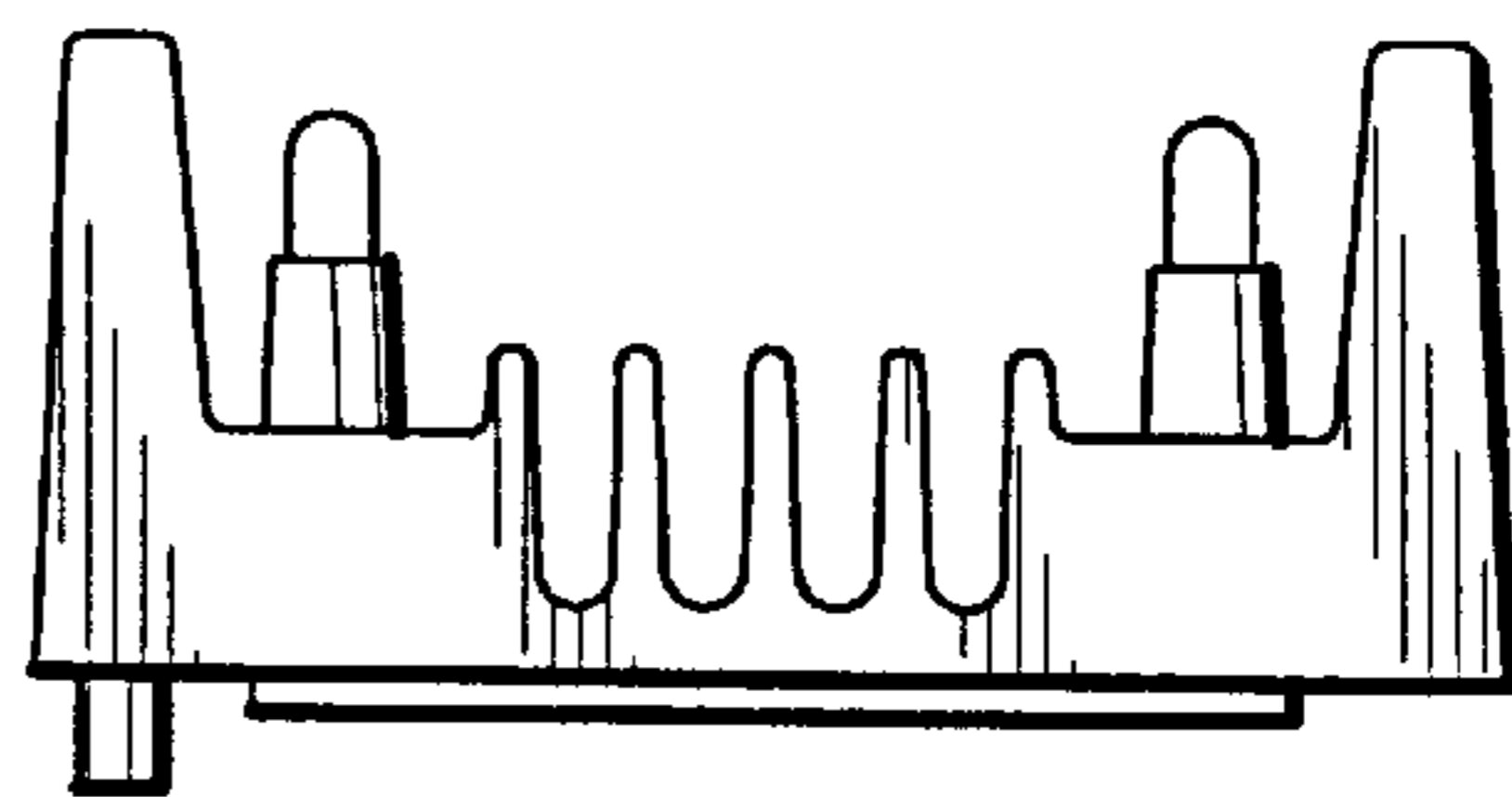


FIG. 4

FIG. 5

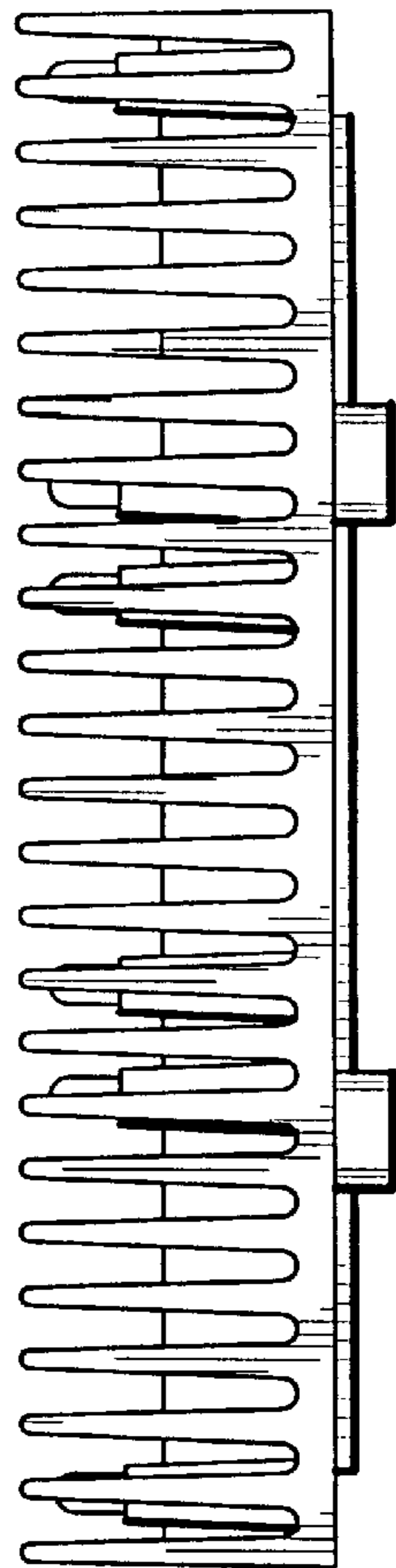
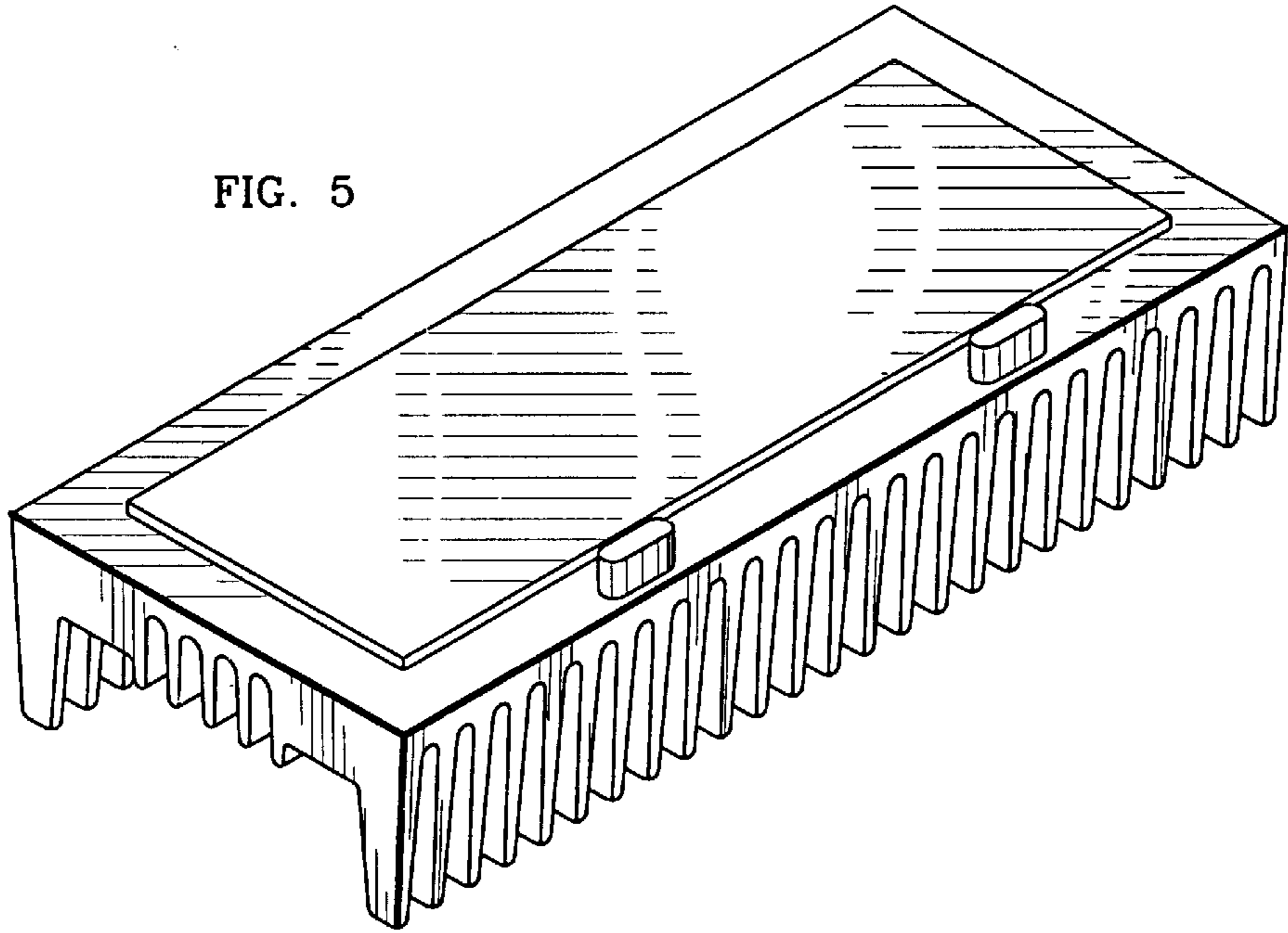


FIG. 6

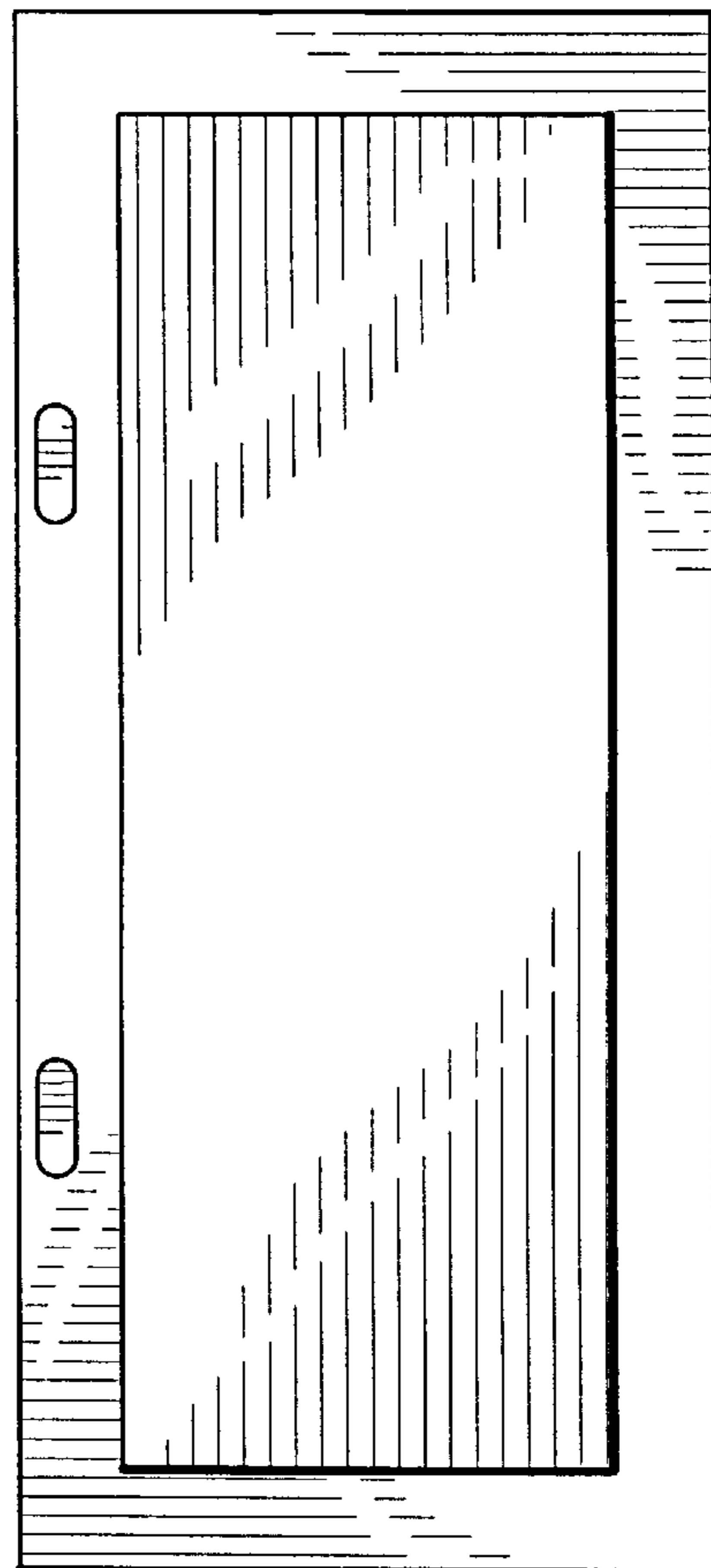


FIG. 7