



US00D399830S

# United States Patent [19]

Nagai et al.

[11] Patent Number: **Des. 399,830**

[45] Date of Patent: **\*\*Oct. 20, 1998**

[54] **ELECTRIC ACTUATOR**

[75] Inventors: **Shigekazu Nagai**, Tokyo; **Shuuzou Sakurai**, Funabashi, both of Japan

[73] Assignee: **SMC Kabushiki Kaisha**, Tokyo, Japan

[\*\*] Term: **14 Years**

[21] Appl. No.: **72,087**

[22] Filed: **Jun. 10, 1997**

[30] **Foreign Application Priority Data**

Dec. 13, 1996 [JP] Japan ..... 8-37949

[51] **LOC (6) Cl.** ..... **13-03**

[52] **U.S. Cl.** ..... **D13/158**

[58] **Field of Search** ..... D13/158, 162, D13/184; 310/300, 10, 12, 15, 40 R

[56] **References Cited**

**U.S. PATENT DOCUMENTS**

D. 329,434 9/1992 Toyoda et al. .... D13/158 X

D. 348,433 7/1994 Tojihara et al. .... D13/158  
5,234,386 8/1993 Nagai et al. .  
5,445,881 8/1995 Irie .

*Primary Examiner*—Brian N. Vinson  
*Attorney, Agent, or Firm*—Oblon, Spivak, McClelland, Maier & Neustadt, P.C.

[57] **CLAIM**

The ornamental design for electric actuator, as shown.

**DESCRIPTION**

FIG. 1 is a perspective view of electric actuator, showing our new design;  
FIG. 2 is a top plan view thereof, the bottom plan view being a mirror image of the top plan view shown;  
FIG. 3 is a front view thereof;  
FIG. 4 is a rear view thereof;  
FIG. 5 is a left side view thereof;  
FIG. 6 is a right side view thereof; and,  
FIG. 7 is a sectional view taken along line 7—7 of FIG. 3.

**1 Claim, 3 Drawing Sheets**

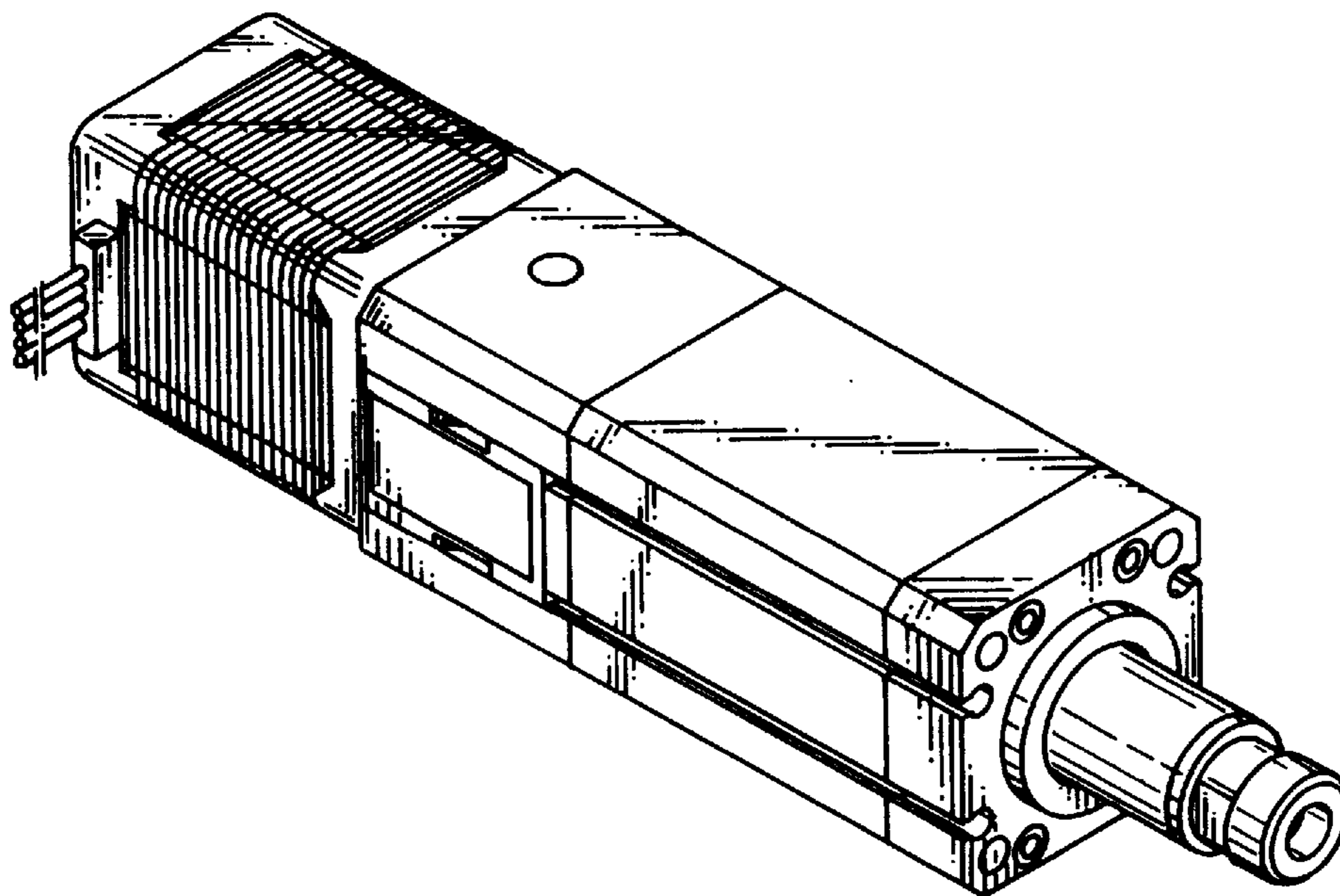


FIG. 1

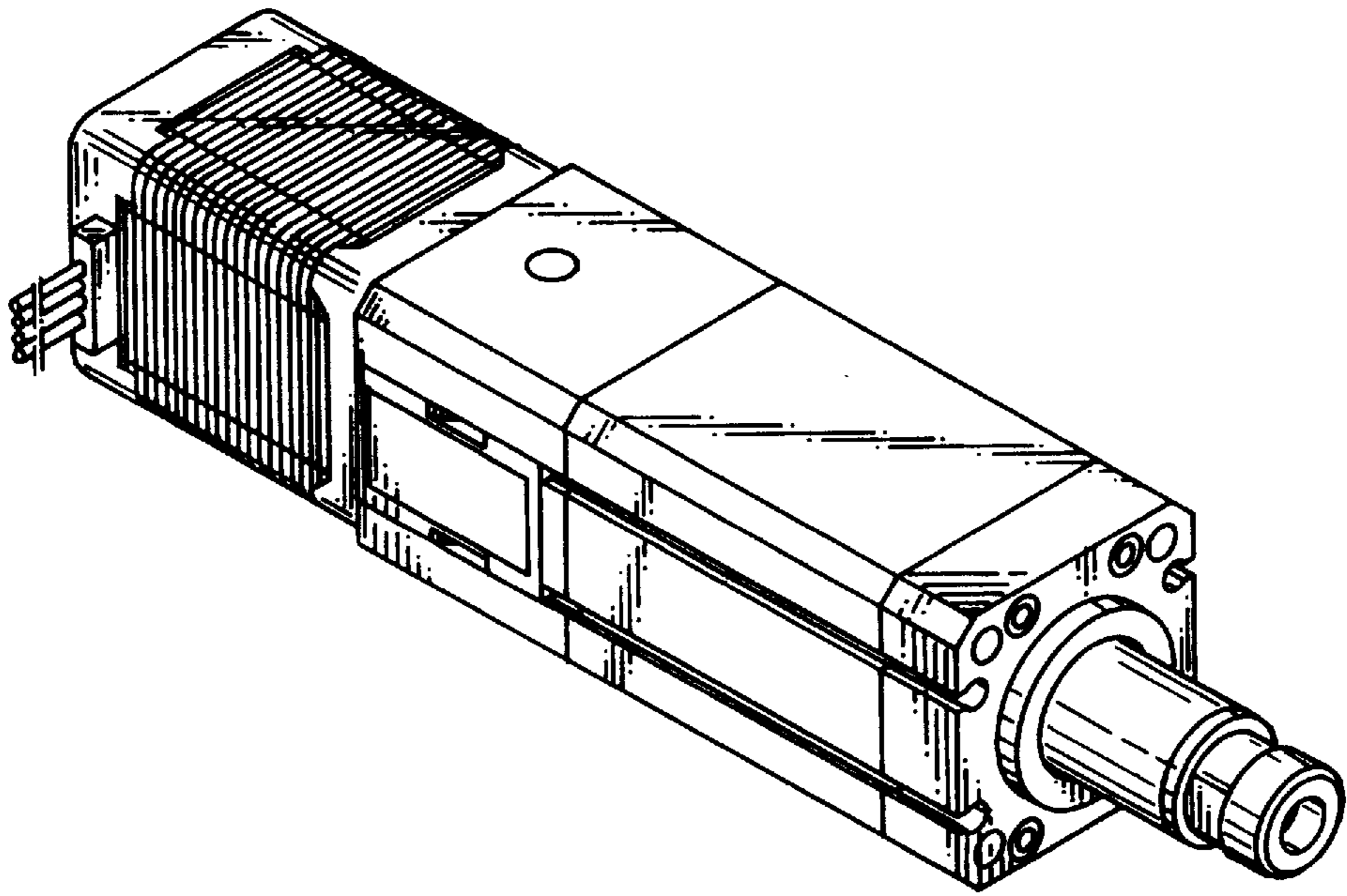


FIG. 2

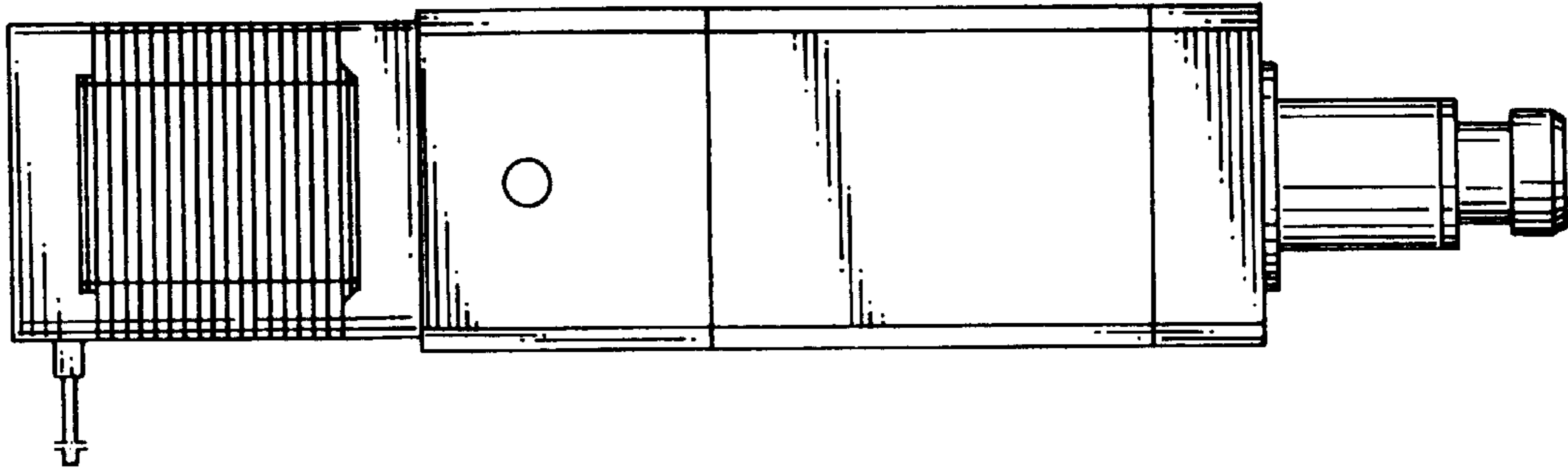


FIG. 3

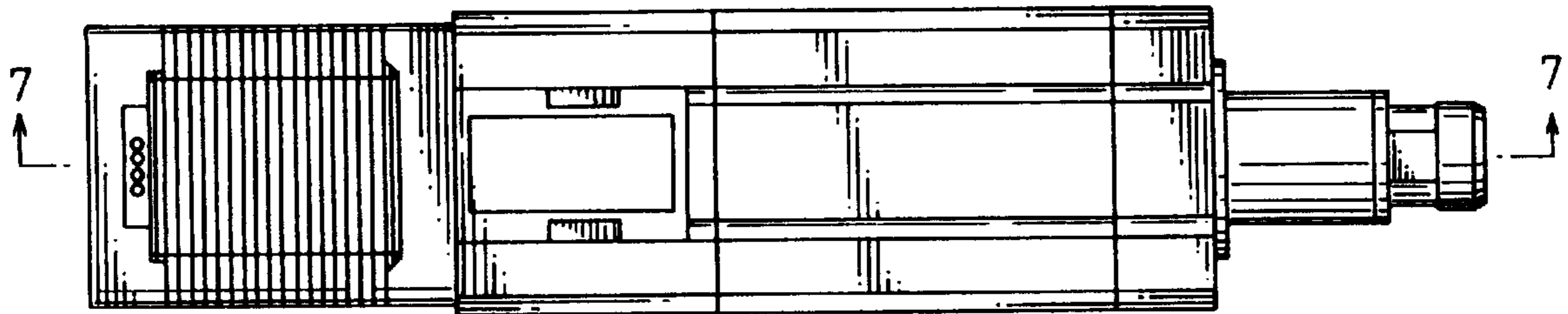


FIG. 4

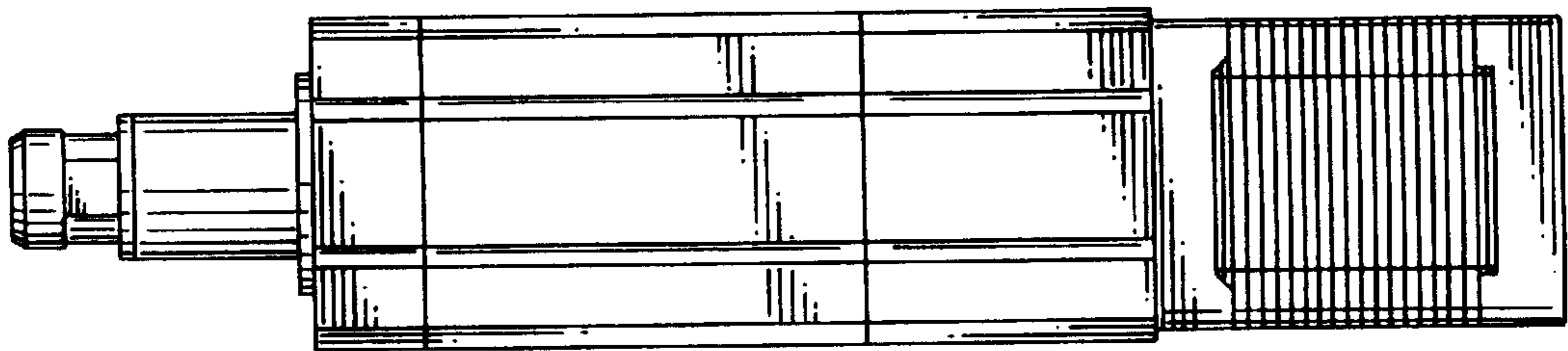


FIG. 5

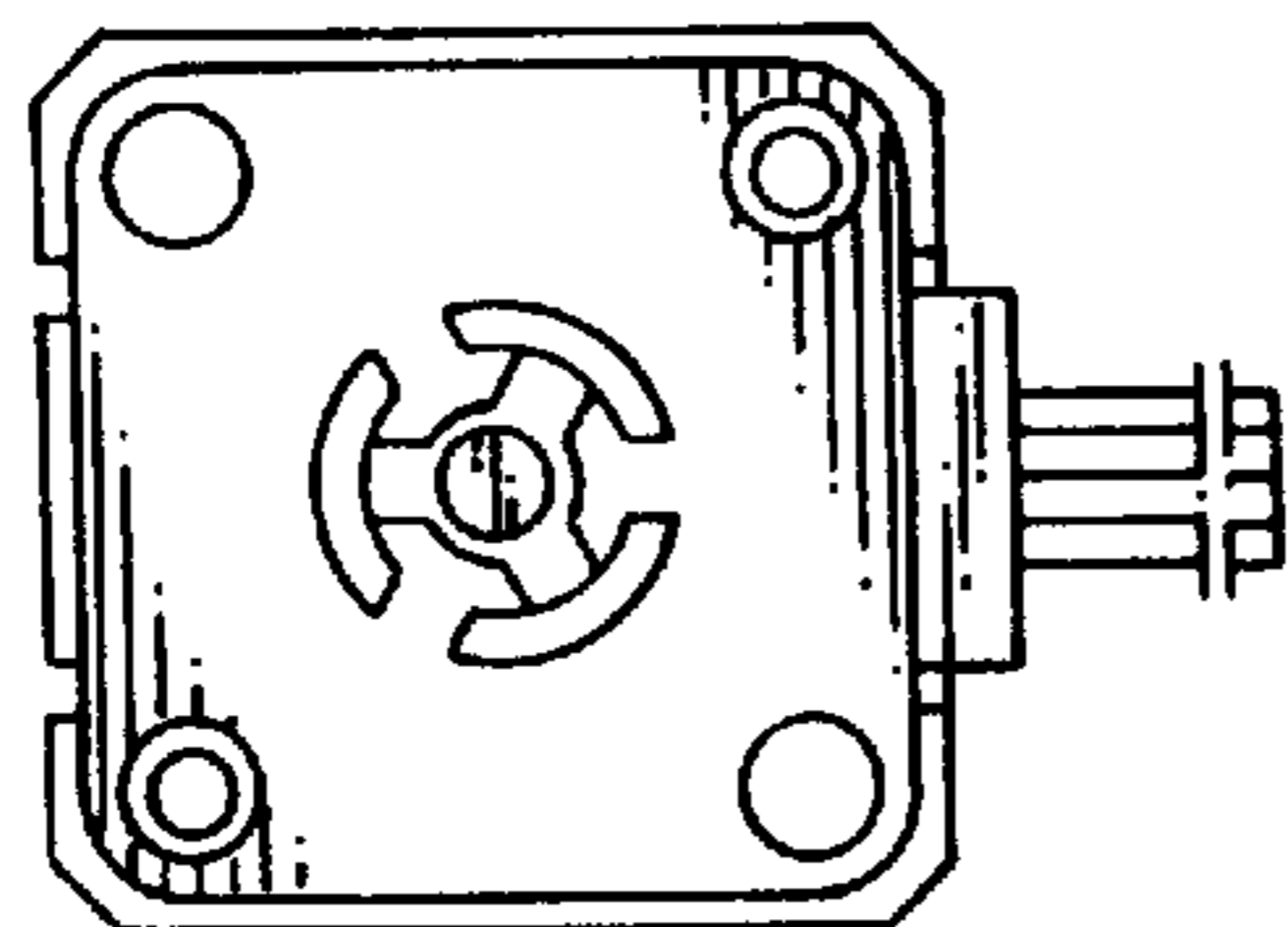


FIG. 6

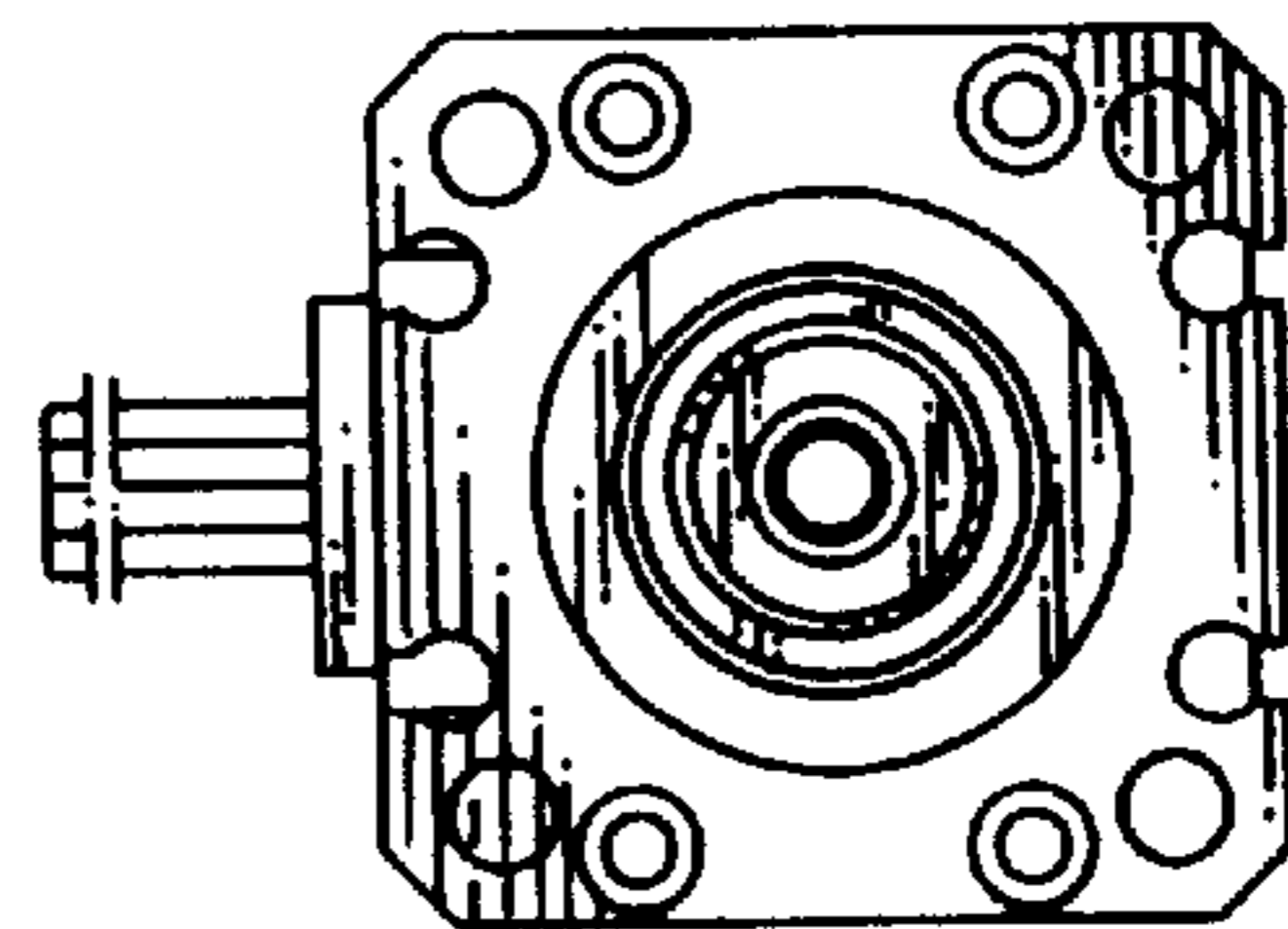


FIG. 7

