



US00D399829S

United States Patent [19] Reed

[11] **Patent Number: Des. 399,829**

[45] **Date of Patent: **Oct. 20, 1998**

[54] **CABLE TELEVISION WALL OUTLET**

5,124,506 6/1992 Briggs et al. 174/67
5,664,955 9/1997 Arnett 439/135

[75] Inventor: **Carl Gene Reed**, Clemmons, N.C.

Primary Examiner—Joel Sincavage
Attorney, Agent, or Firm—Robert Kapalka

[73] Assignee: **The Whitaker Corporation**,
Wilmington, Del.

[57] **CLAIM**

[**] Term: **14 Years**

The ornamental design for a cable television wall outlet, as shown and described.

[21] Appl. No.: **62,689**

DESCRIPTION

[22] Filed: **Nov. 21, 1996**

[51] **LOC (6) Cl.** **13-03**

[52] **U.S. Cl.** **D13/156**

[58] **Field of Search** D13/152, 154,
D13/156, 177; D14/239; 439/135; 174/66,
67

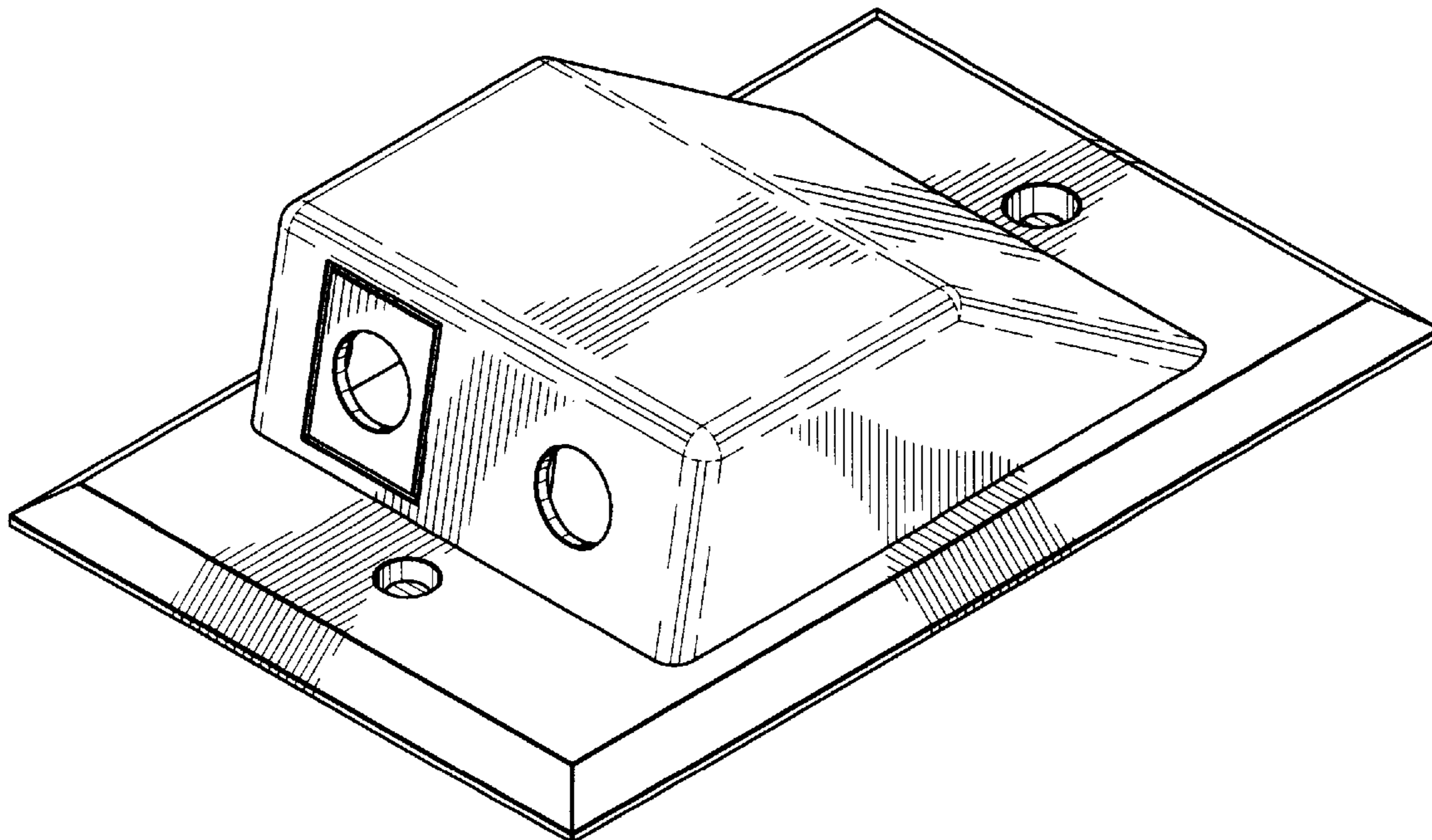
FIG. 1 is a lower right front isometric view of a cable television wall outlet showing my new design; FIG. 2 is an upper left front isometric view thereof; FIG. 3 is a rear isometric view thereof; FIG. 4 is another rear isometric view thereof; FIG. 5 is a front view thereof; FIG. 6 is a left side view thereof; FIG. 7 is a top view thereof; FIG. 8 is a right side view thereof; FIG. 9 is a rear view thereof; and, FIG. 10 is a bottom view thereof.

[56] **References Cited**

U.S. PATENT DOCUMENTS

4,688,747 8/1987 Helmsdorfen et al. 174/67 X
4,797,507 1/1989 Lofving 174/76 X
4,952,755 8/1990 Engel et al. 174/67

1 Claim, 4 Drawing Sheets



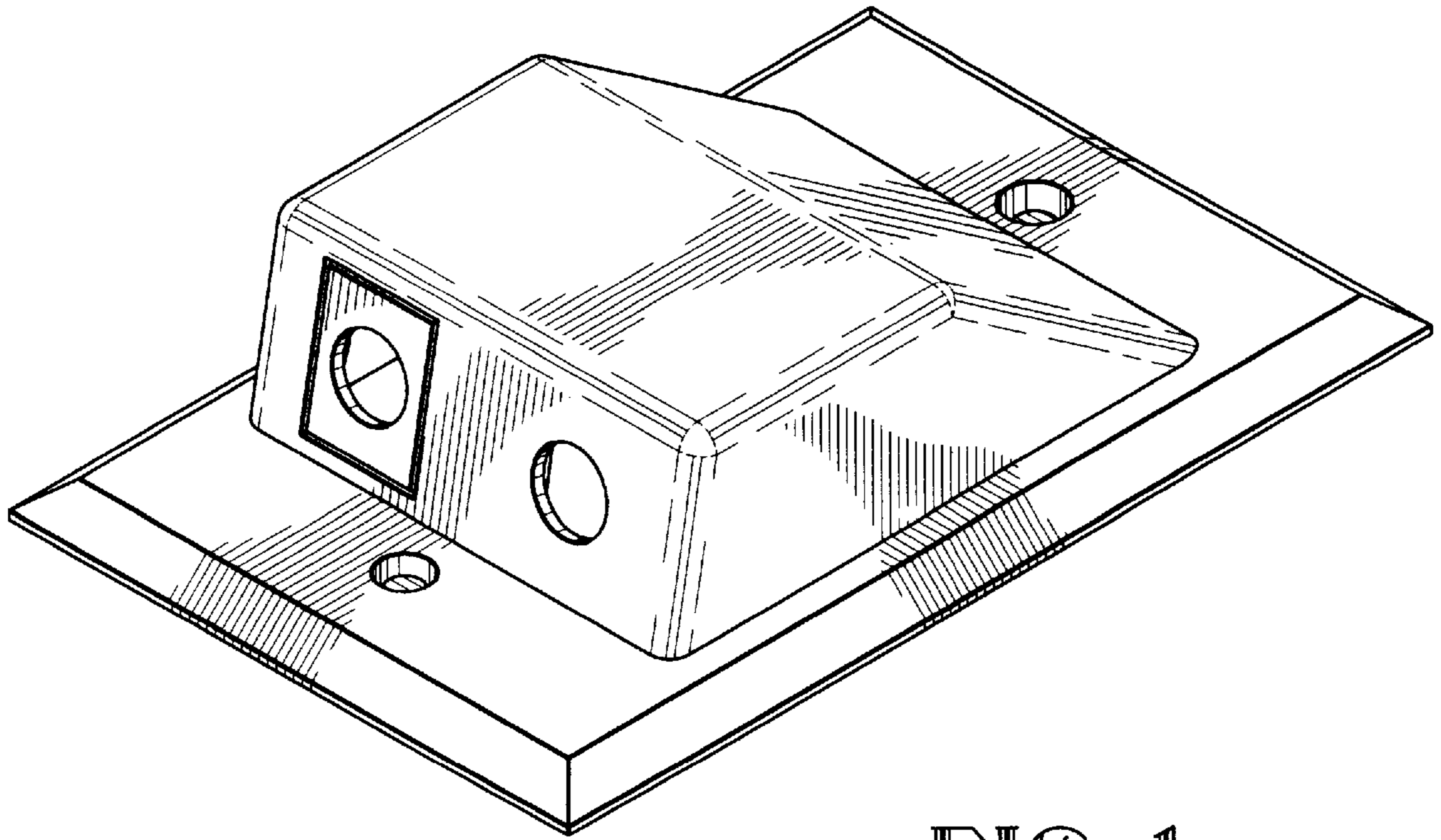


FIG. 1

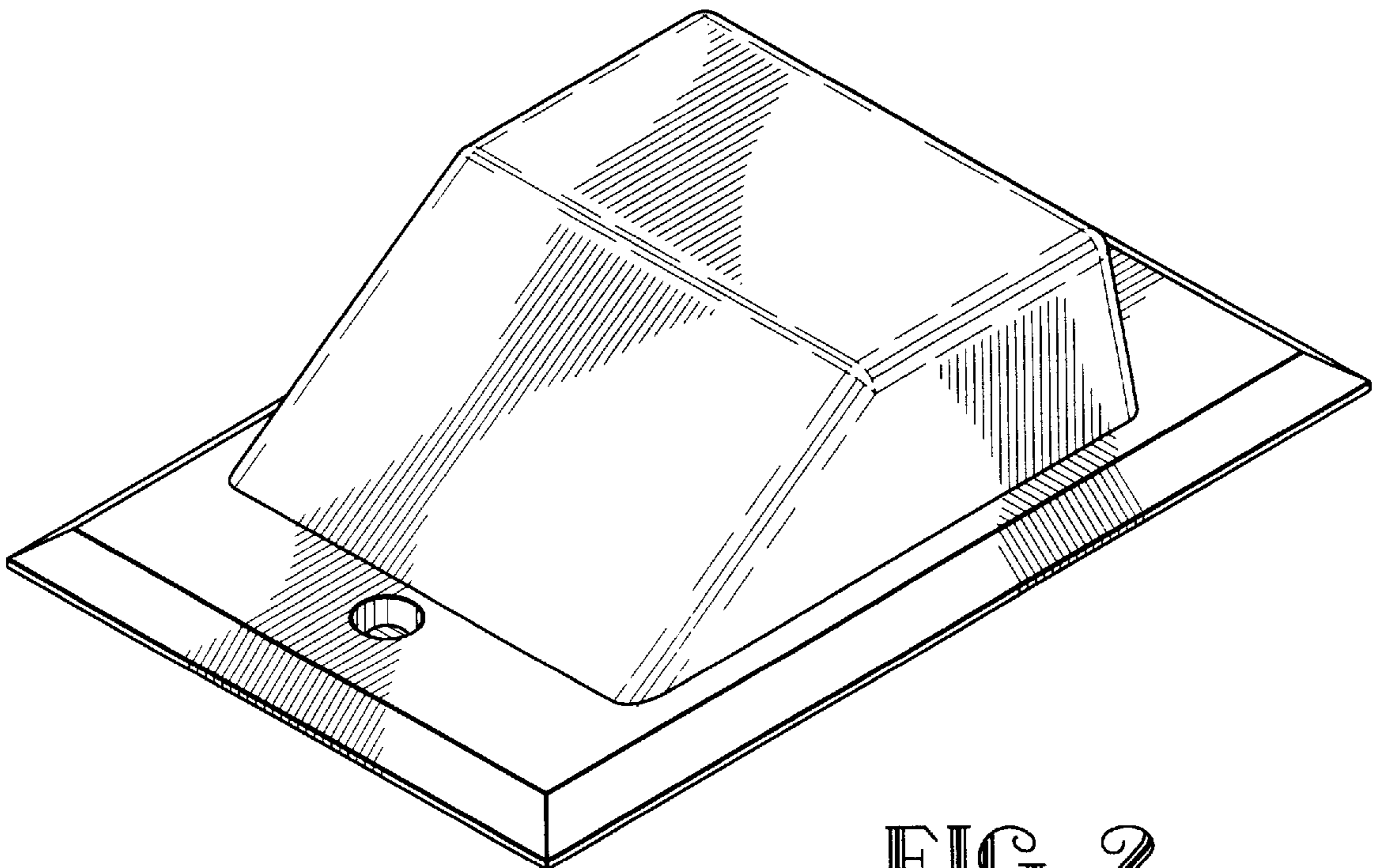


FIG. 2

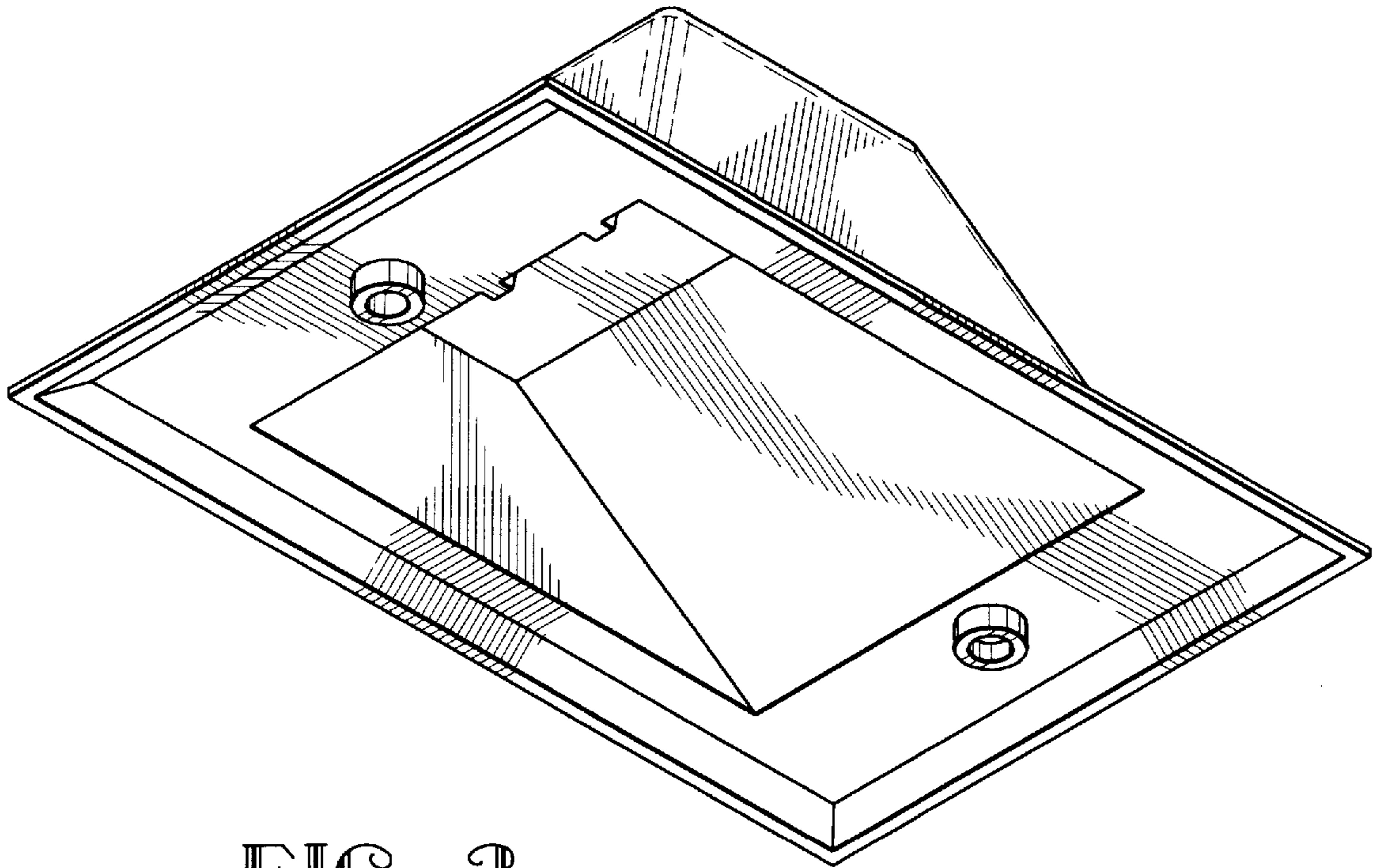


FIG. 3

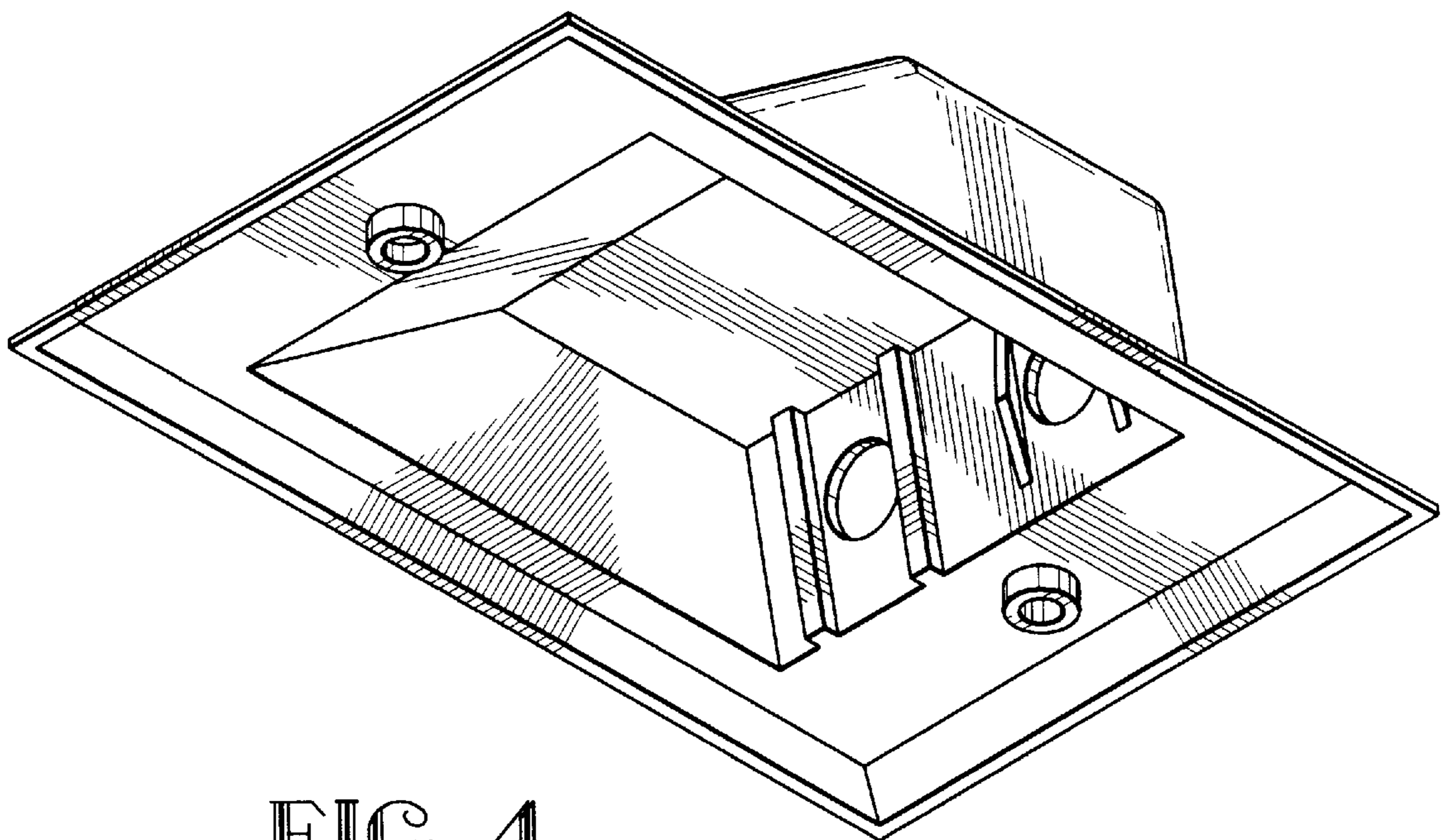


FIG. 4

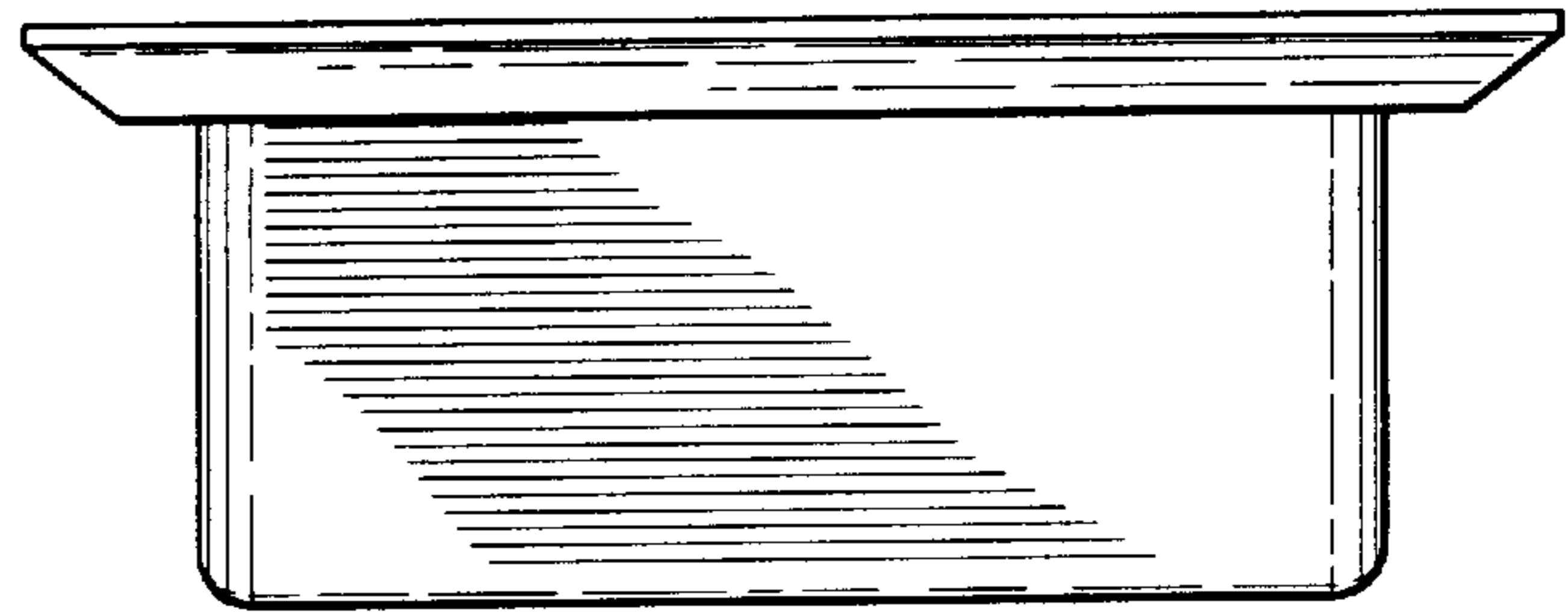


FIG. 7

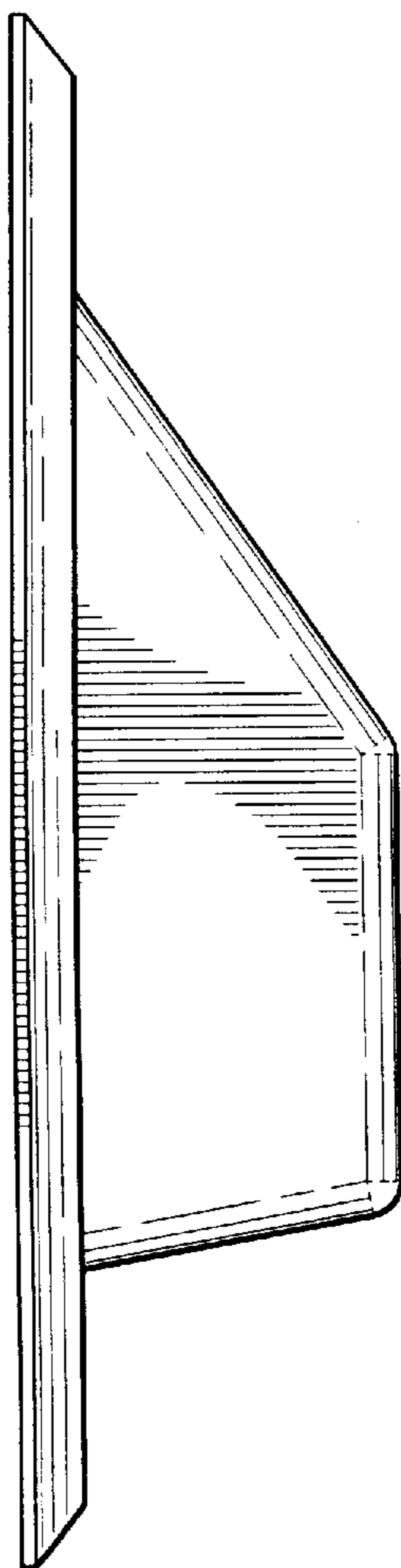


FIG. 6

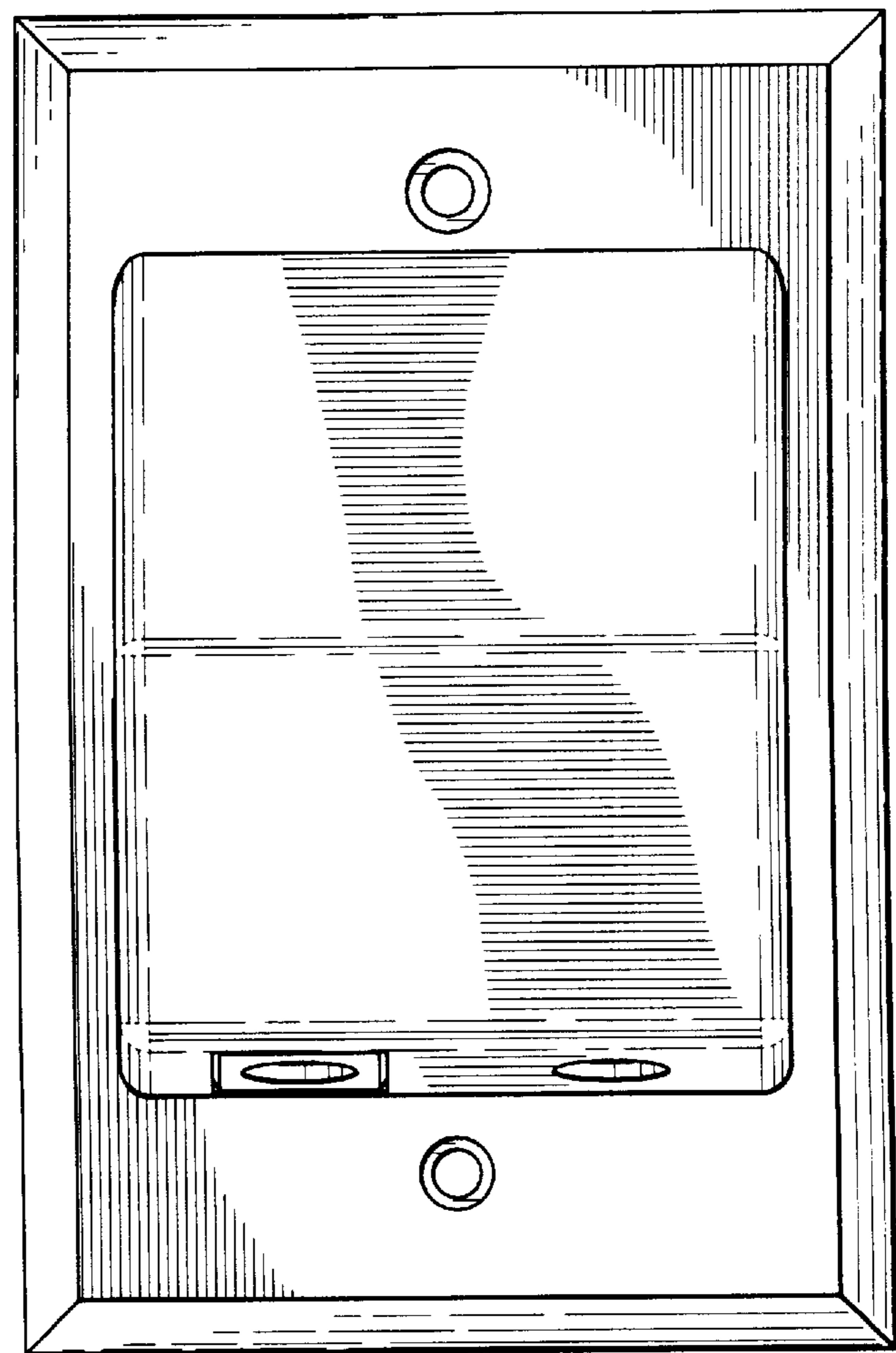


FIG. 5

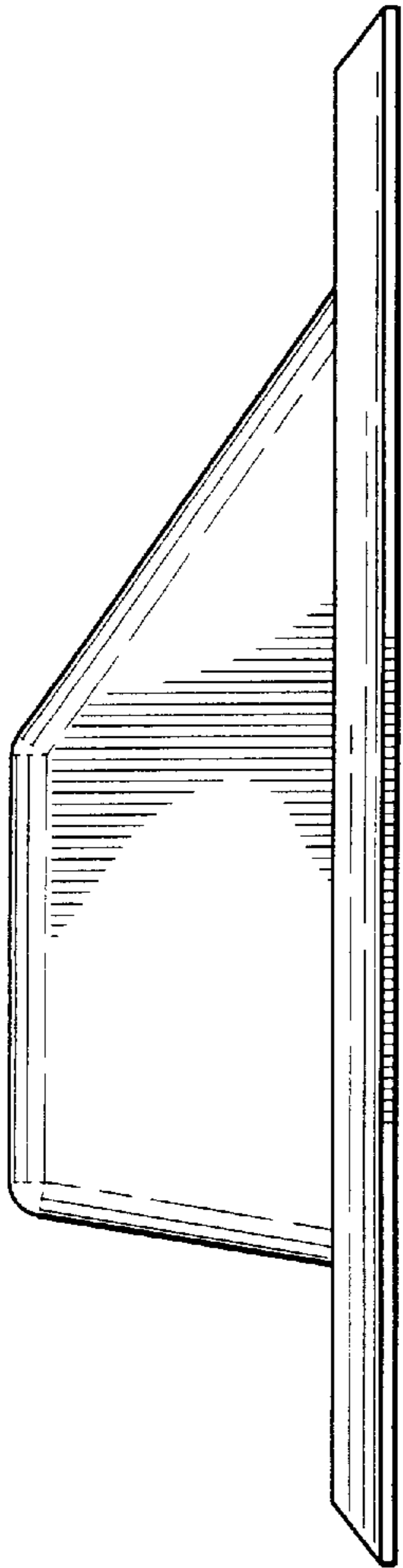


FIG. 8

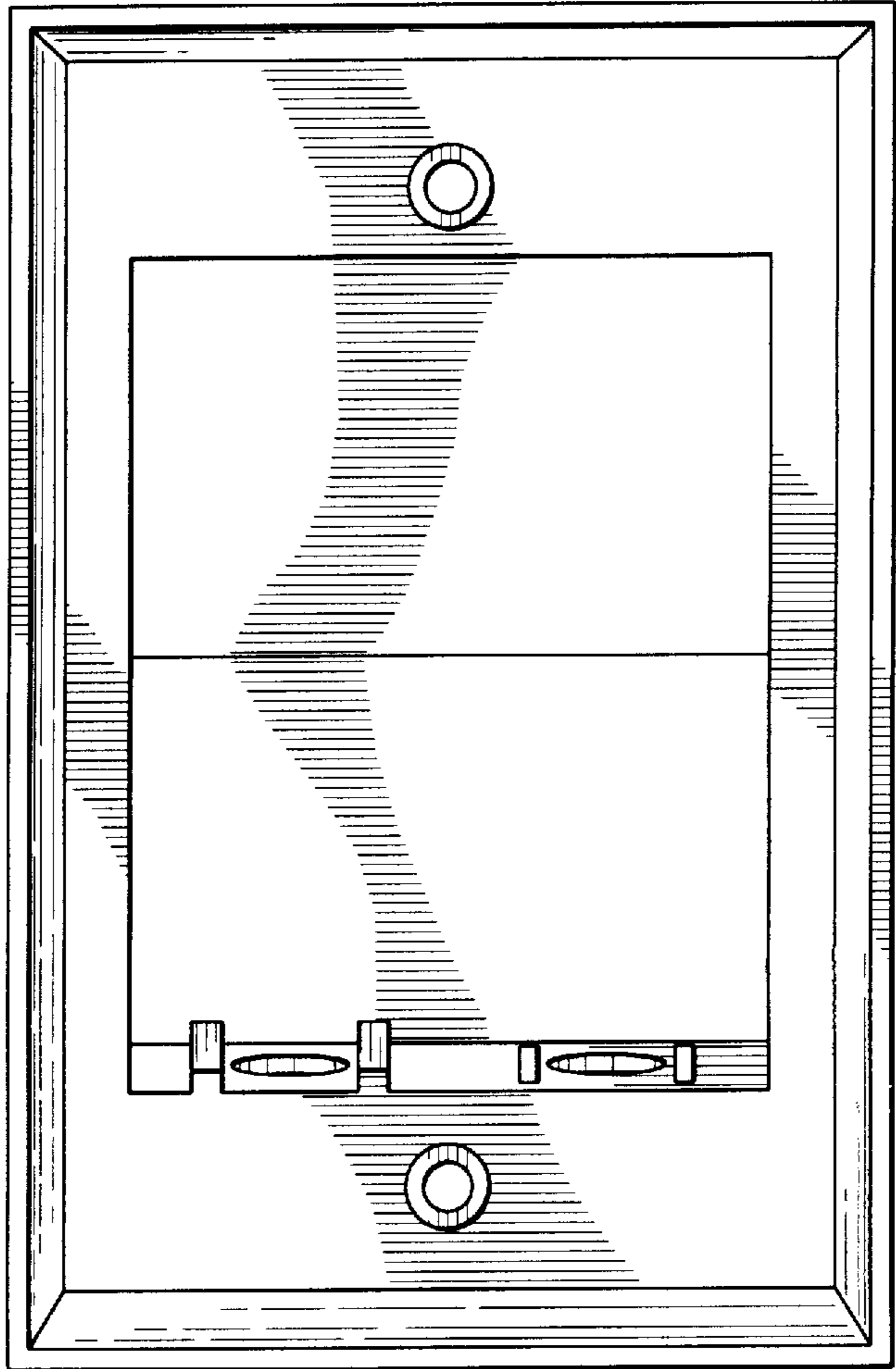


FIG. 9

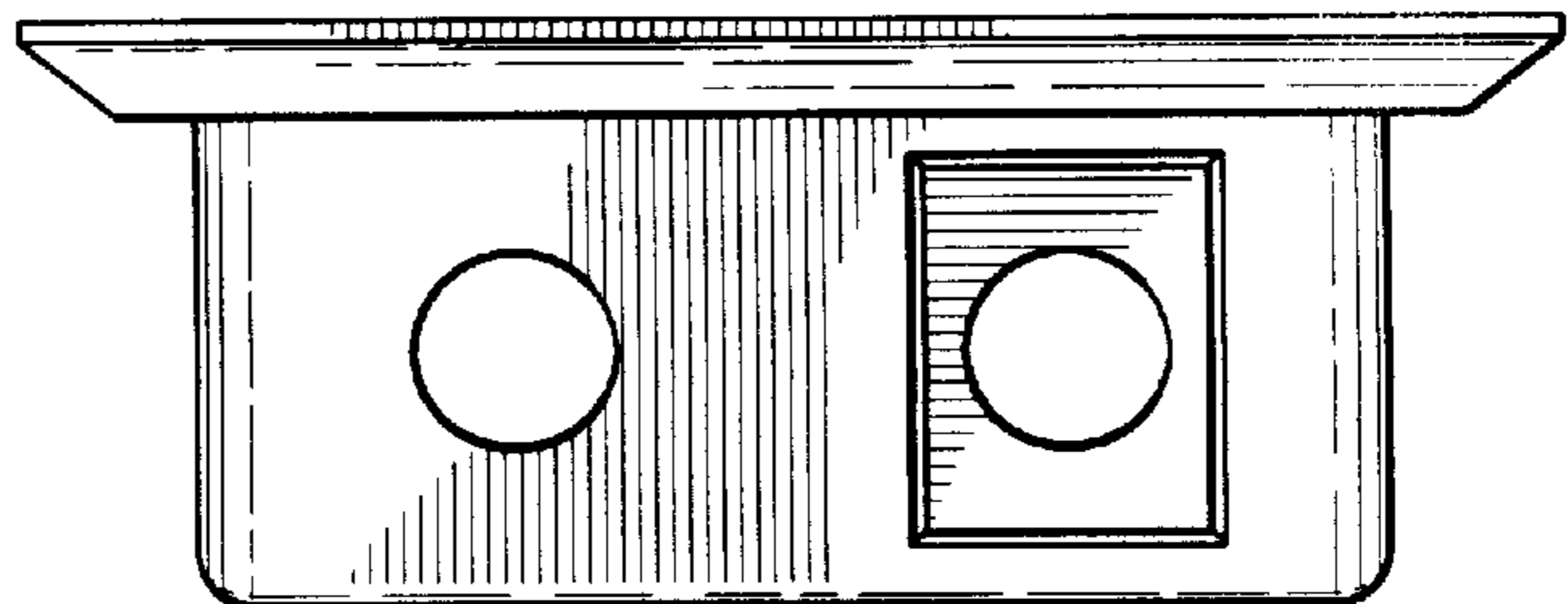


FIG. 10