



US00D399828S

United States Patent [19] Eidsvig

[11] **Patent Number: Des. 399,828**

[45] **Date of Patent: **Oct. 20, 1998**

[54] **SOCKET FOR APPARATUS INTAKE**

[75] Inventor: **Terje Eidsvig**, Oslo, Norway

[73] Assignee: **DEFA Group, A.S.**, Nesbyen, Norway

[**] Term: **14 Years**

[21] Appl. No.: **48,729**

[22] Filed: **Jan. 12, 1996**

[30] **Foreign Application Priority Data**

May 30, 1995 [NO] Norway 950384

[51] **LOC (6) Cl.** **13-03**

[52] **U.S. Cl.** **D13/156**

[58] **Field of Search** D23/324, 386,
D23/387, 259, 266, 262, 393; D13/156,
155, 133; 454/63, 64; 285/901; 439/142,
144

[56] **References Cited**

U.S. PATENT DOCUMENTS

D. 310,817 9/1990 Johnson et al. D23/324
5,344,331 9/1994 Hoffman et al. D13/133
5,571,023 11/1996 Anthony 439/142

FOREIGN PATENT DOCUMENTS

0 355 276 2/1990 European Pat. Off. .
426996 5/1991 European Pat. Off. 439/142
40 40 481 2/1990 Germany .
7 029 631 1/1995 Japan .

Primary Examiner—Lisa Lichtenstein
Attorney, Agent, or Firm—Townsend and Townsend and
Crew LLP

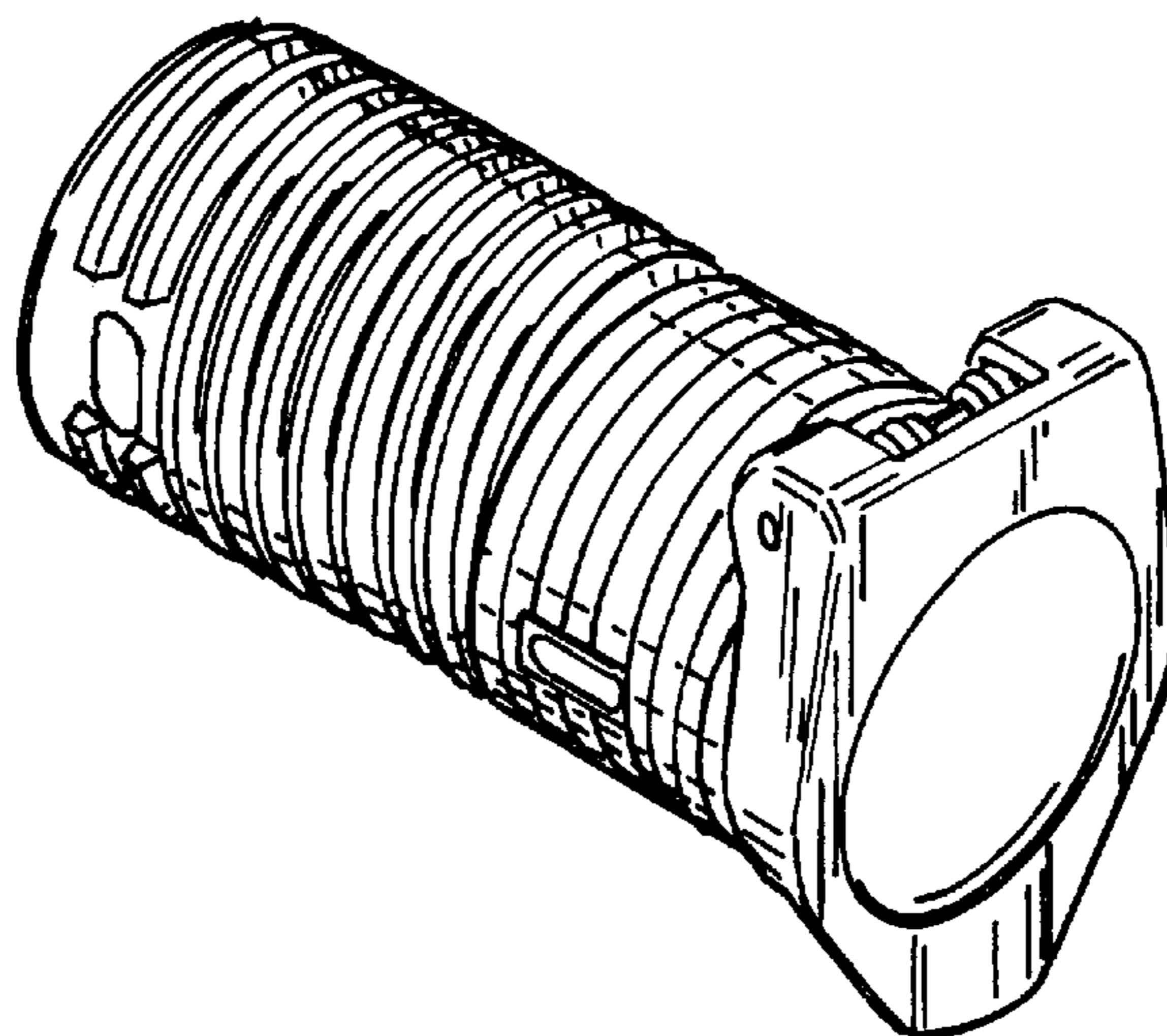
[57] **CLAIM**

The ornamental design for a socket for apparatus intake, as shown.

DESCRIPTION

FIG. 1 is a perspective view of a socket for apparatus intake showing my new design;
FIG. 2 is a top plan view thereof;
FIG. 3 is a front elevational view thereof;
FIG. 4 is a right side elevational view thereof;
FIG. 5 is a left side elevational view thereof;
FIG. 6 is a bottom plan view thereof; and,
FIG. 7 is a rear elevational view thereof.

1 Claim, 1 Drawing Sheet



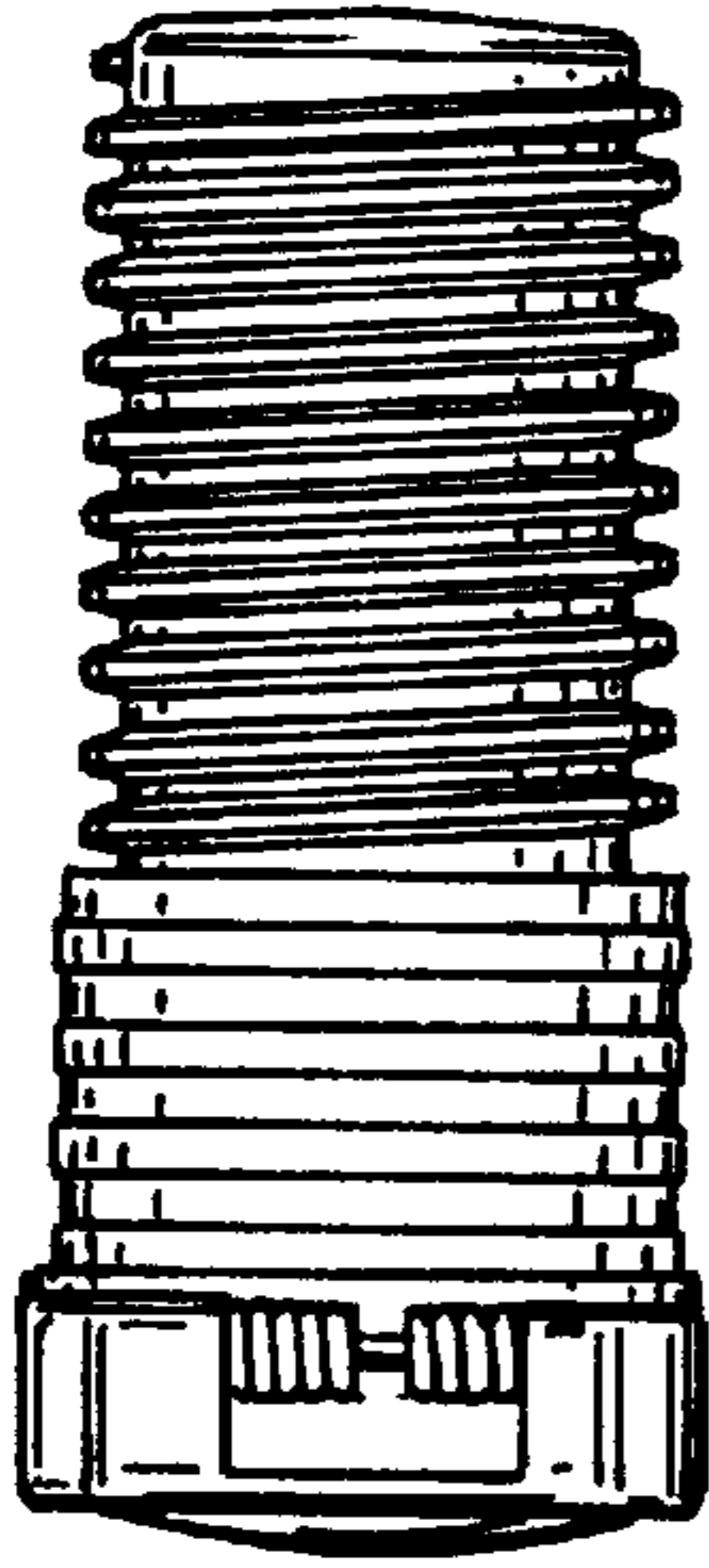


FIG. 2.

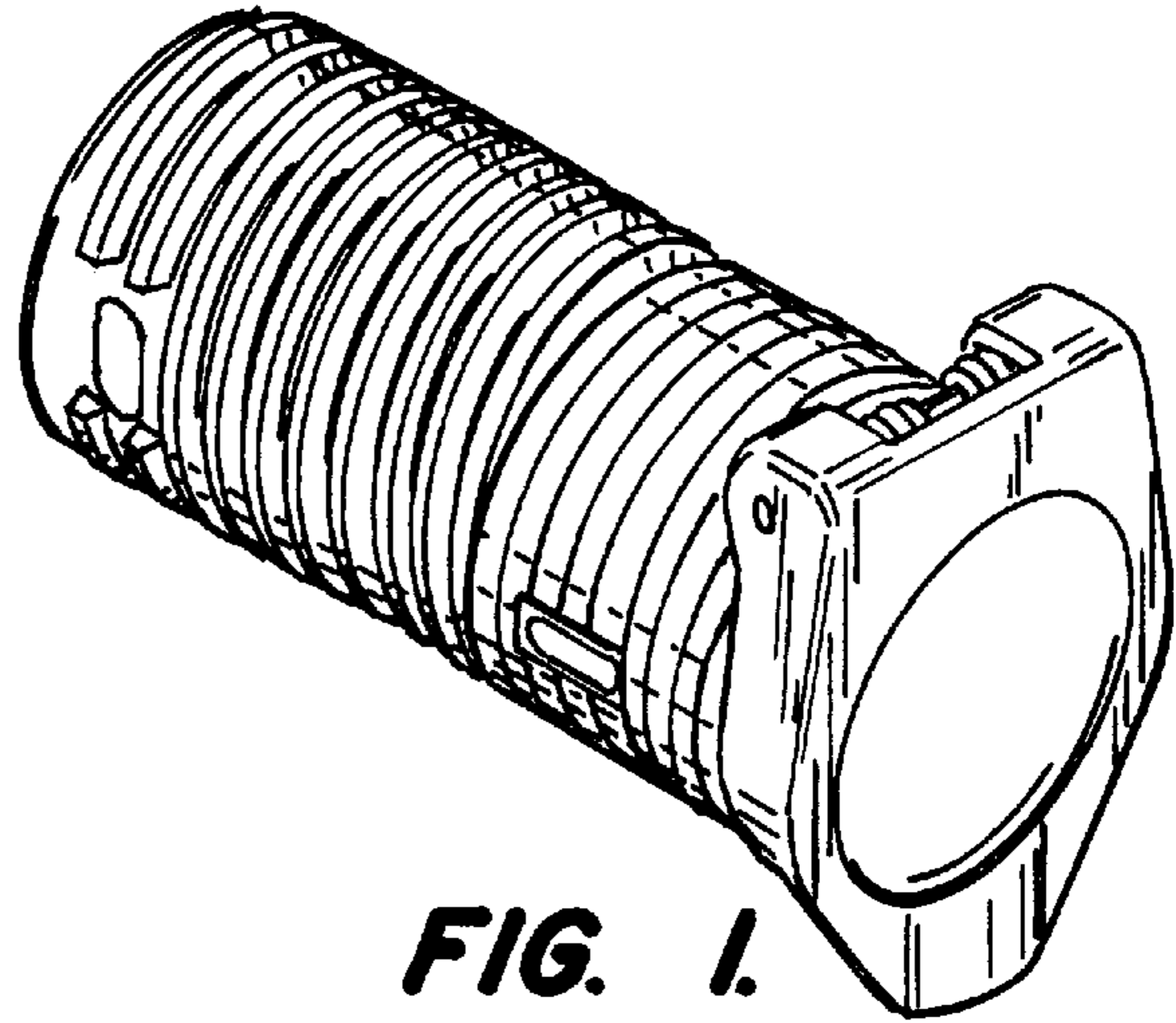


FIG. 1.

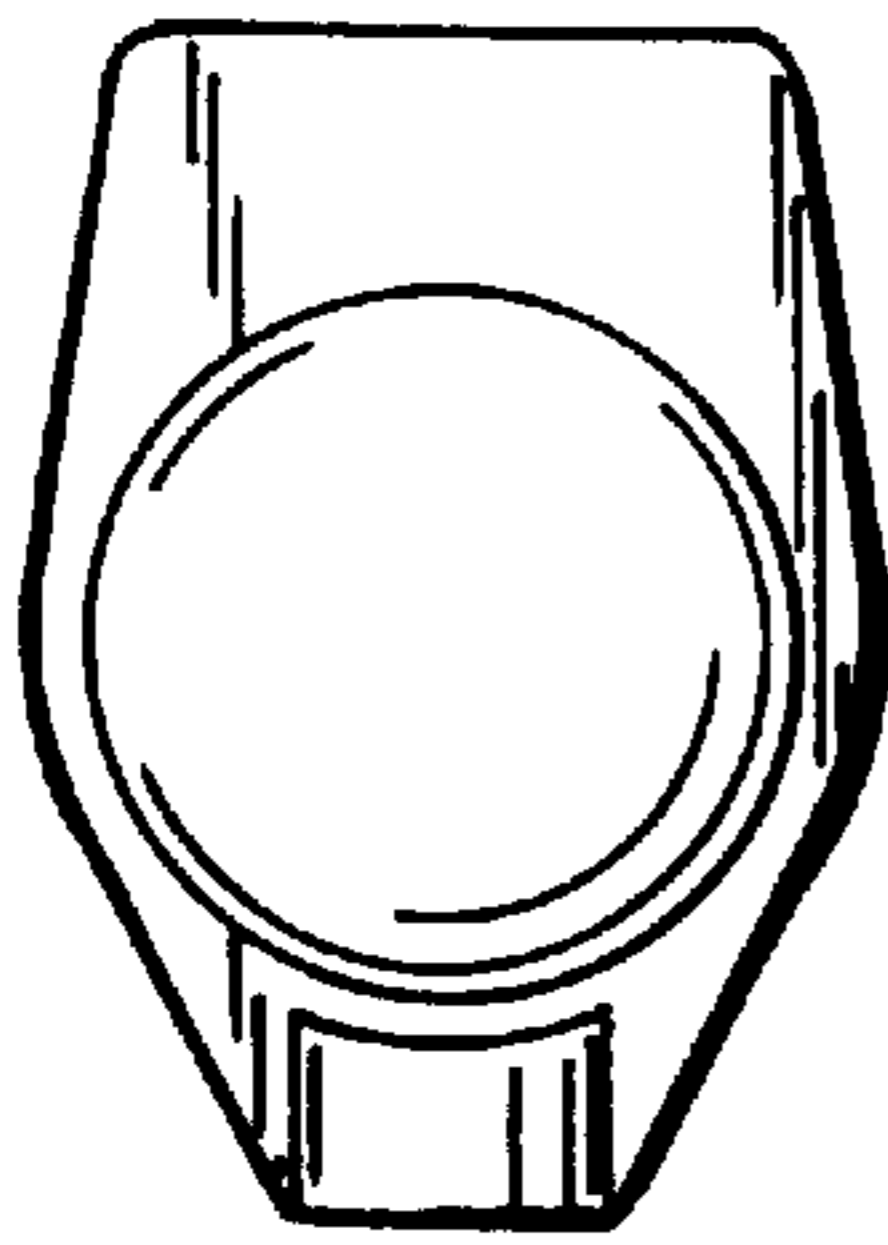


FIG. 3.

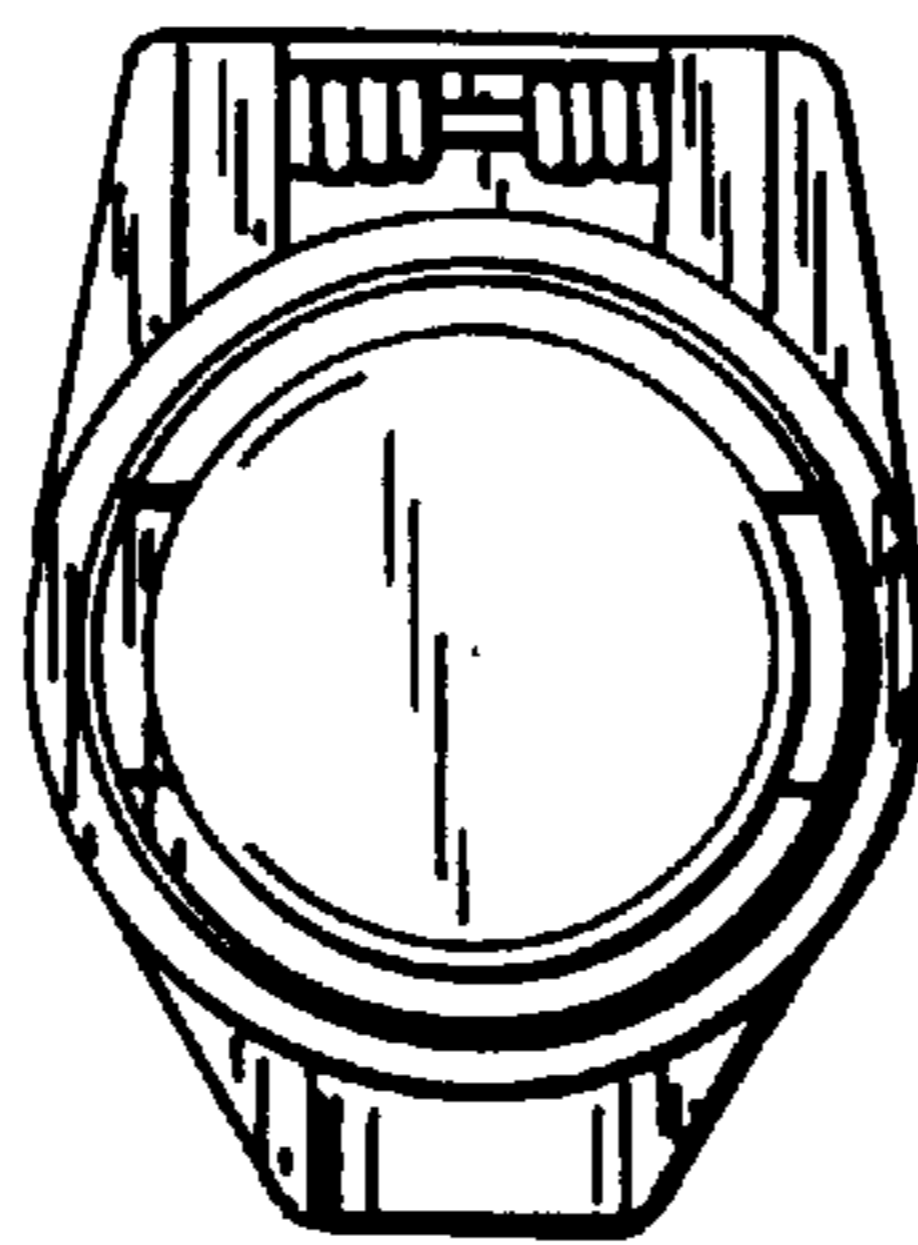


FIG. 7.

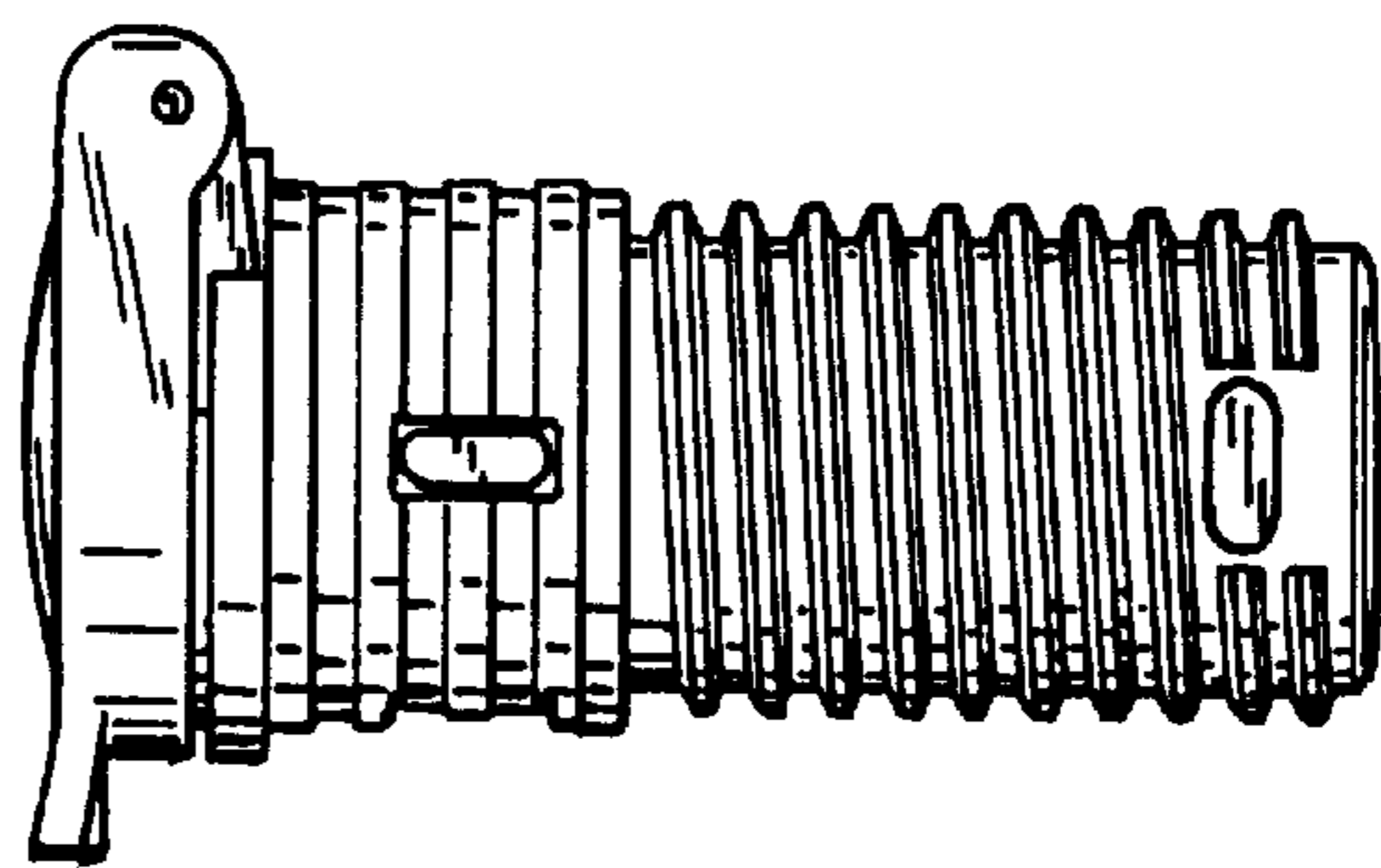


FIG. 4.

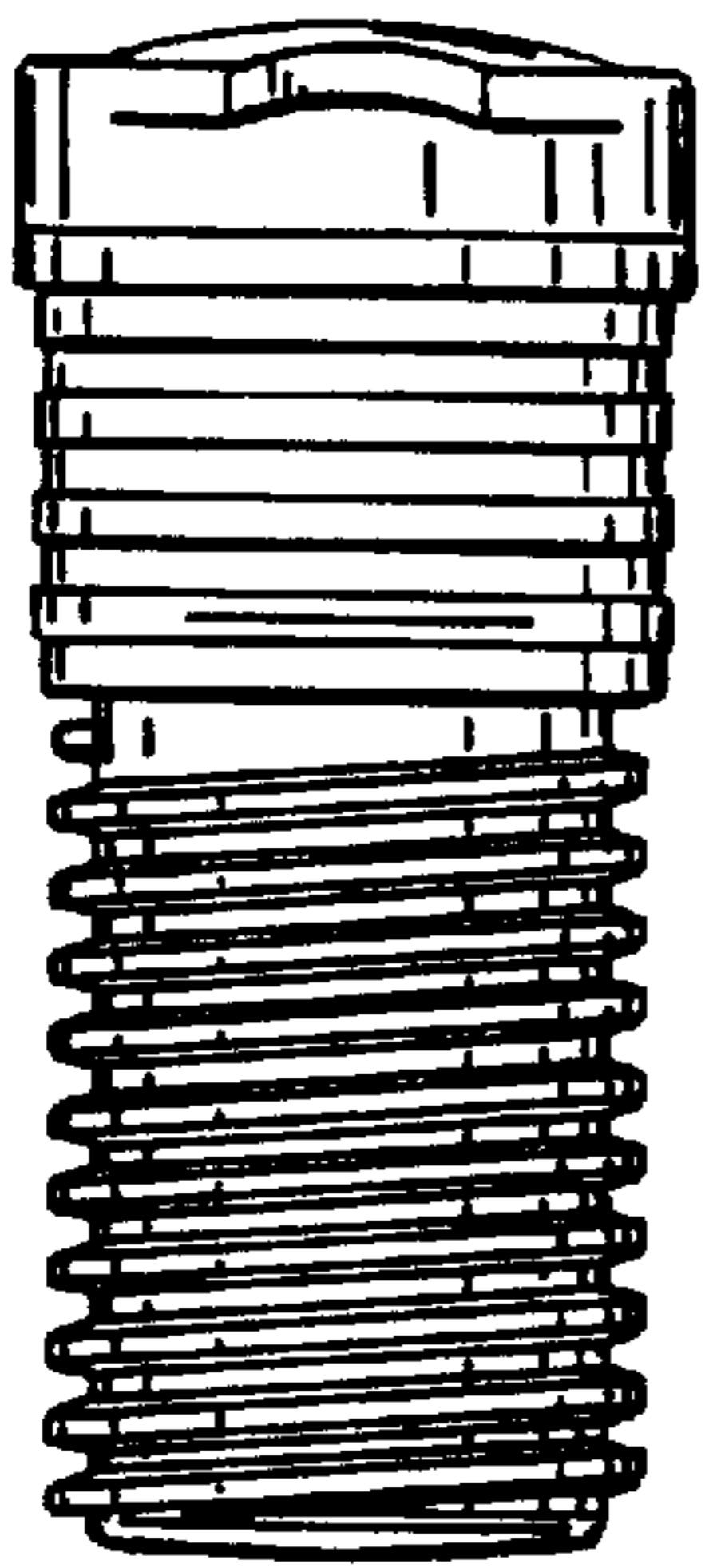


FIG. 6.

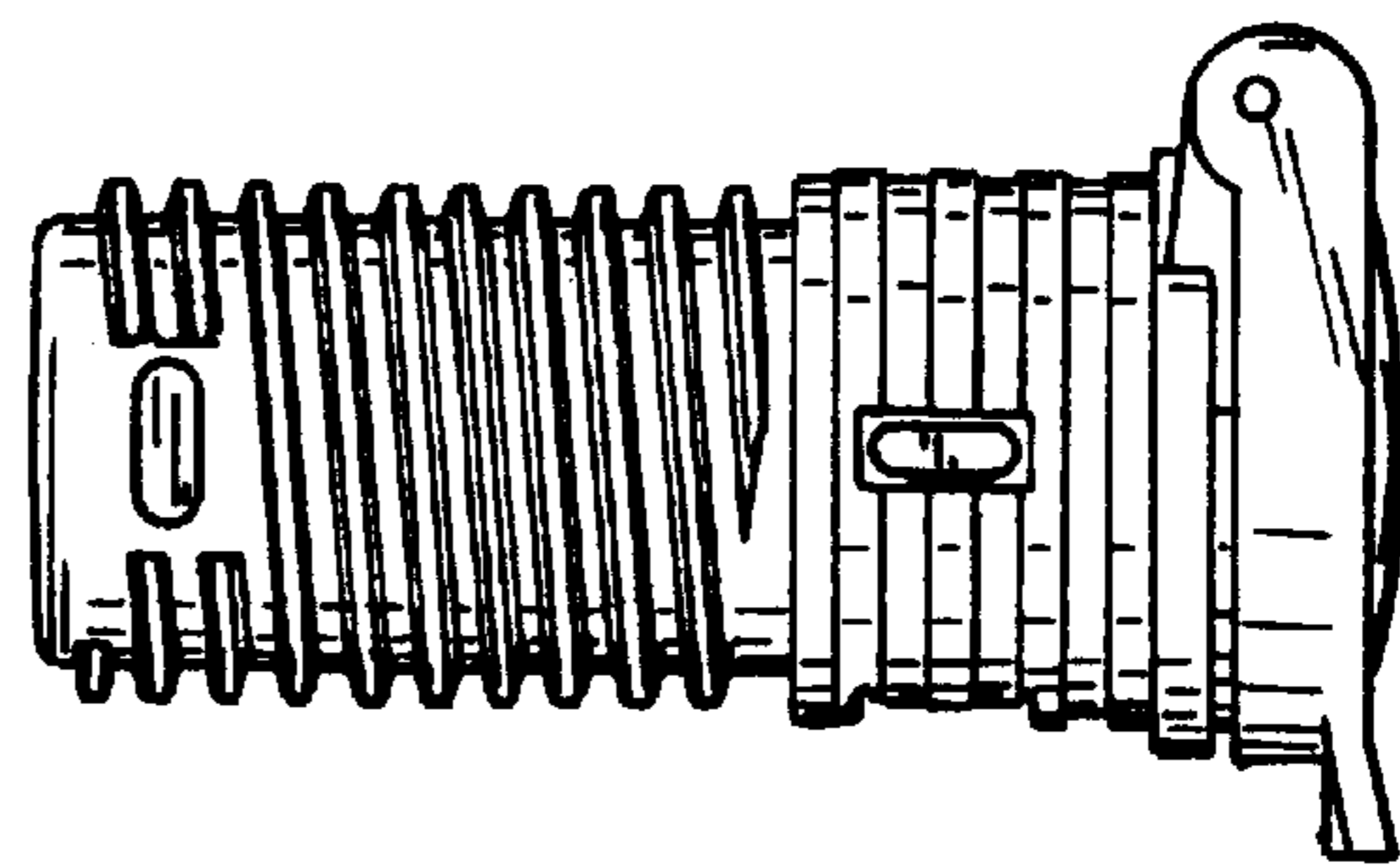


FIG. 5.