



US00D399827S

United States Patent [19]
Gaffney

[11] **Patent Number: Des. 399,827**

[45] **Date of Patent: **Oct. 20, 1998**

[54] **DUAL RJ11 CONNECTOR**

[76] Inventor: **David G. Gaffney**, 880 B Forest Ave.,
Evanston, Ill. 60202

[**] Term: **14 Years**

[21] Appl. No.: **77,033**

[22] Filed: **Sep. 24, 1997**

[51] **LOC (6) Cl.** **13-03**

[52] **U.S. Cl.** **D13/147**

[58] **Field of Search** D13/133, 146,
D13/147; 439/344, 606-610, 668, 669,
676, 701

[56] **References Cited**

U.S. PATENT DOCUMENTS

| | | | | |
|------------|--------|------------------|-------|---------|
| D. 300,424 | 3/1989 | Matsuzaki et al. | | D13/147 |
| 5,178,563 | 1/1993 | Reed | | 439/676 |
| 5,637,002 | 6/1997 | Buck et al. | . | |

OTHER PUBLICATIONS

Senior Industries—Modular Jack Telephone Interconnec-
tions, Date unknown, but prior to Jan. 1997, pp. 1-20.

Primary Examiner—Alan P. Douglas
Assistant Examiner—Lavone D. Tabor
Attorney, Agent, or Firm—Brinks Hofer Gilson & Lione;
Craig A. Summerfield

[57] **CLAIM**

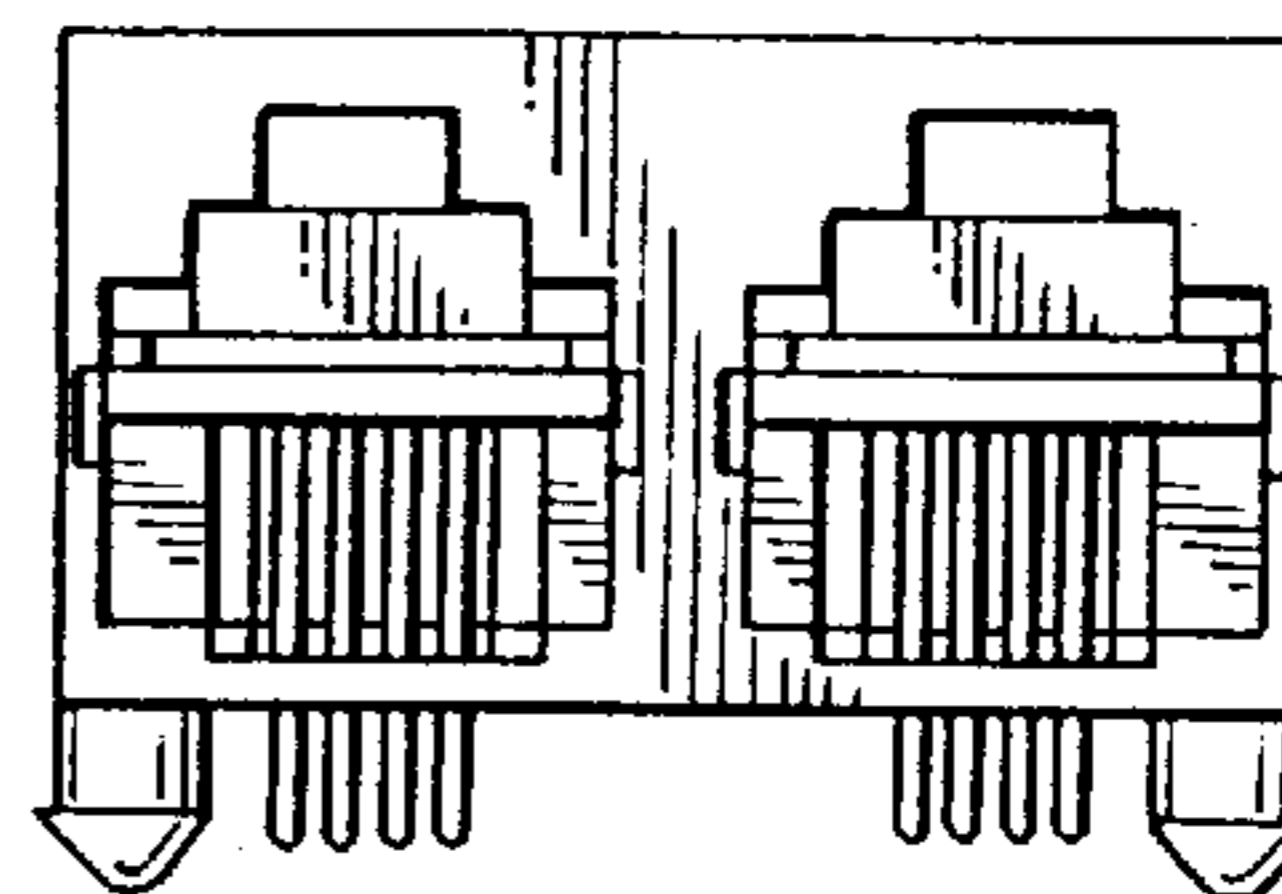
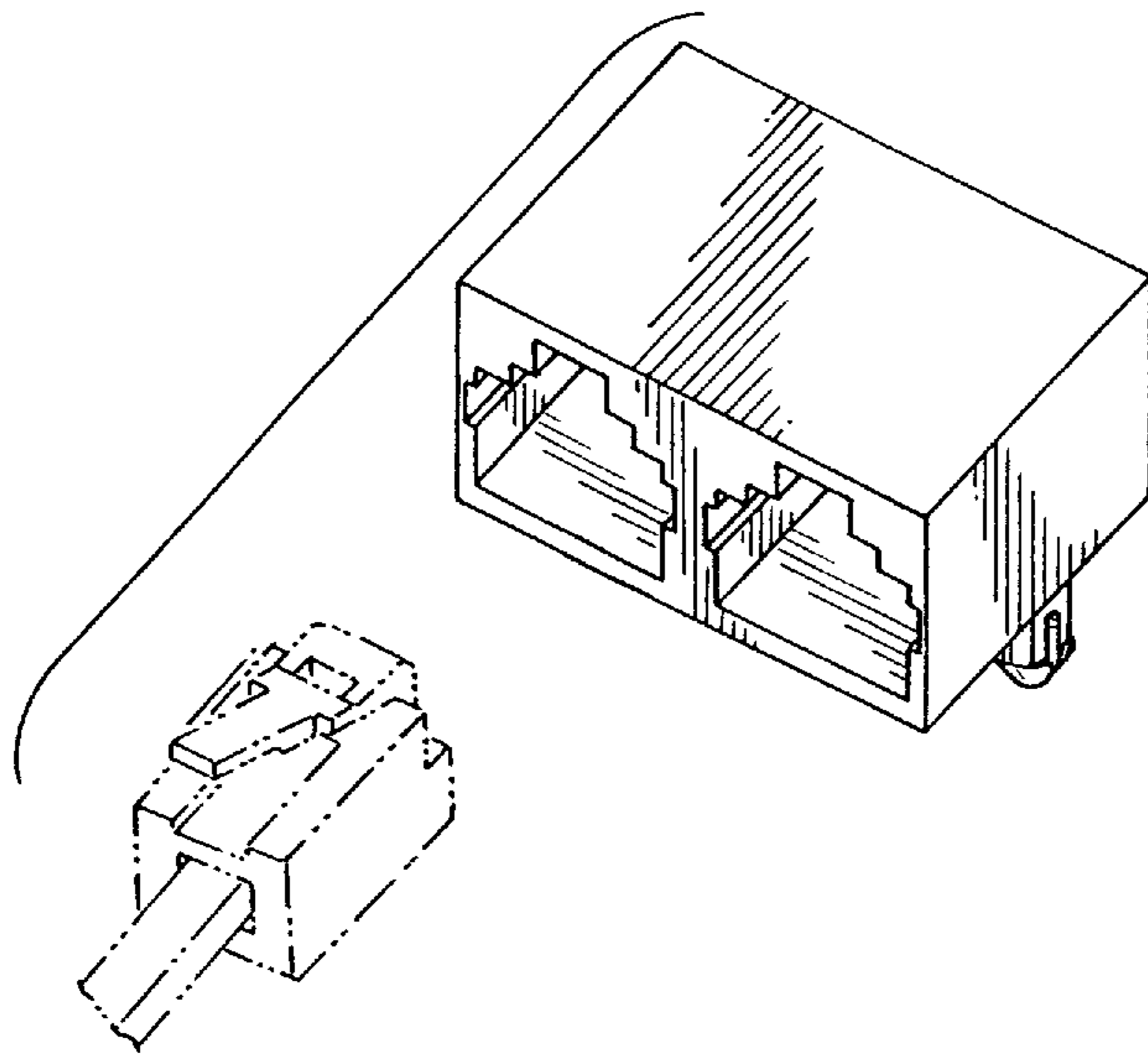
The ornamental design for a dual RJ11 connector, as shown
and described.

DESCRIPTION

FIG. 1 is a perspective of a dual RJ11 connector;
FIG. 2 is a front elevation view thereof;
FIG. 3 is a back elevation view thereof;
FIG. 4 is a right side elevation view thereof;
FIG. 5 is a left side elevation view thereof;
FIG. 6 is a top plan view thereof; and,
FIG. 7 is a bottom plan view thereof.

The elements of FIG. 1 shown in phantom are not consid-
ered part of the claimed design. The phantom elements
demonstrate the intended purpose of the dual RJ11 connec-
tor as a receptacle for a telephone plug.

1 Claim, 1 Drawing Sheet



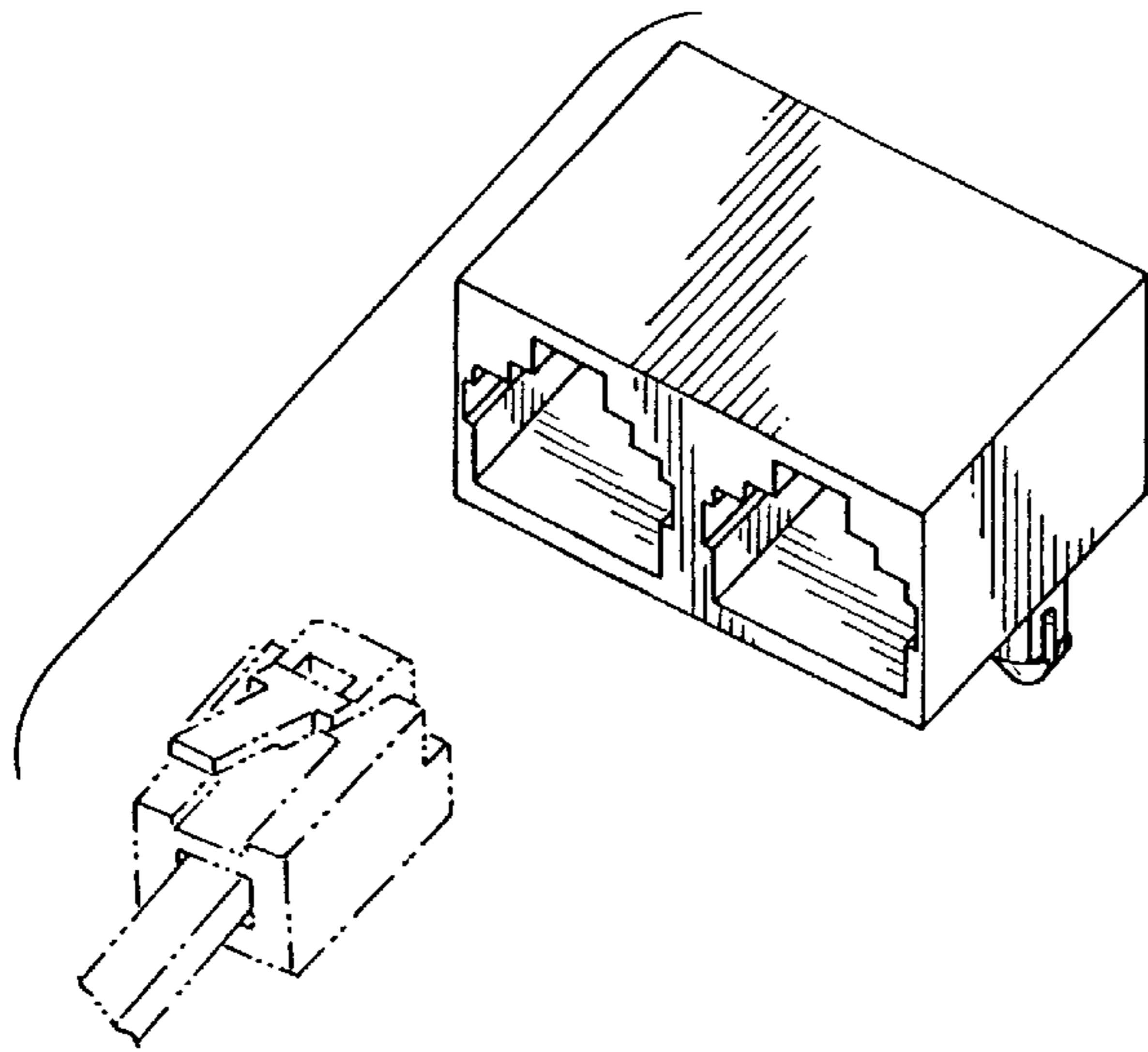


FIG. 1

FIG. 2

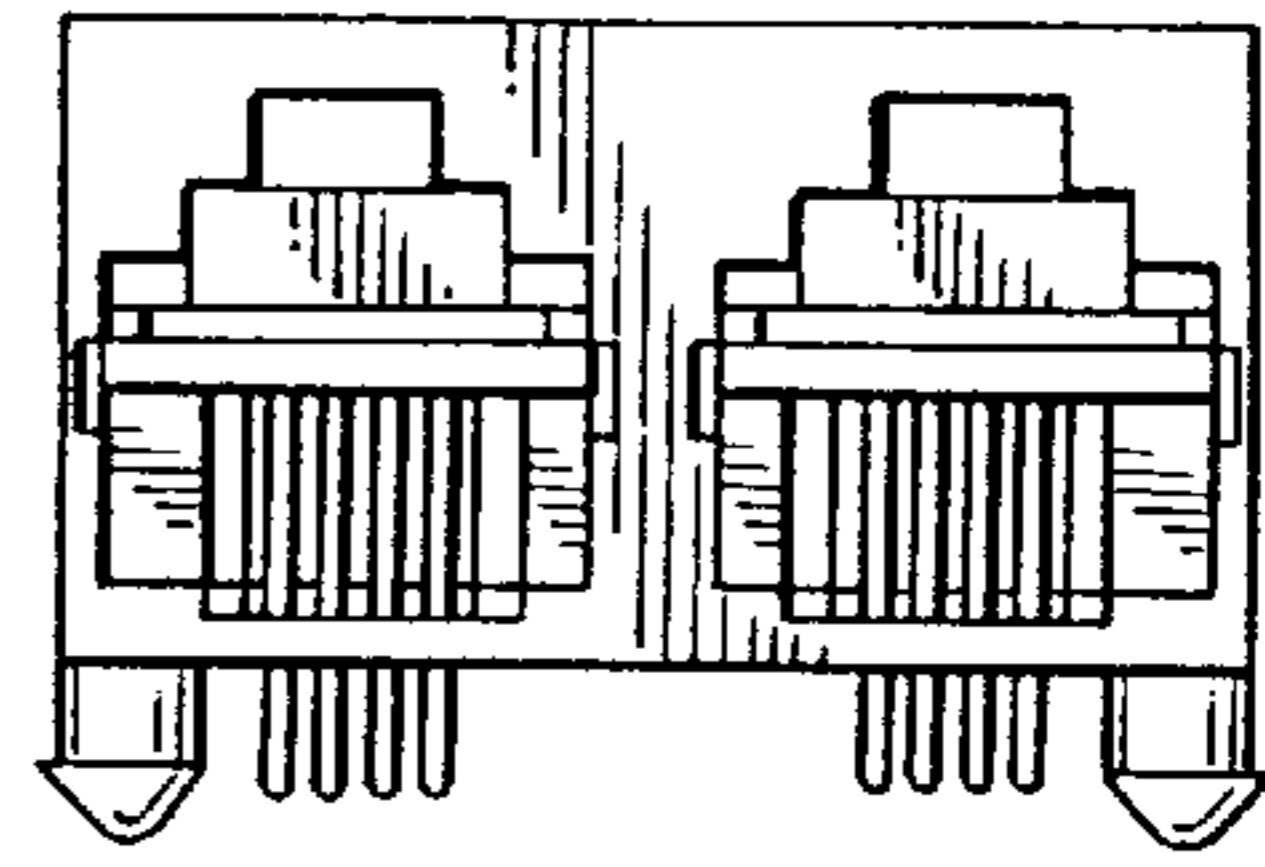


FIG. 3

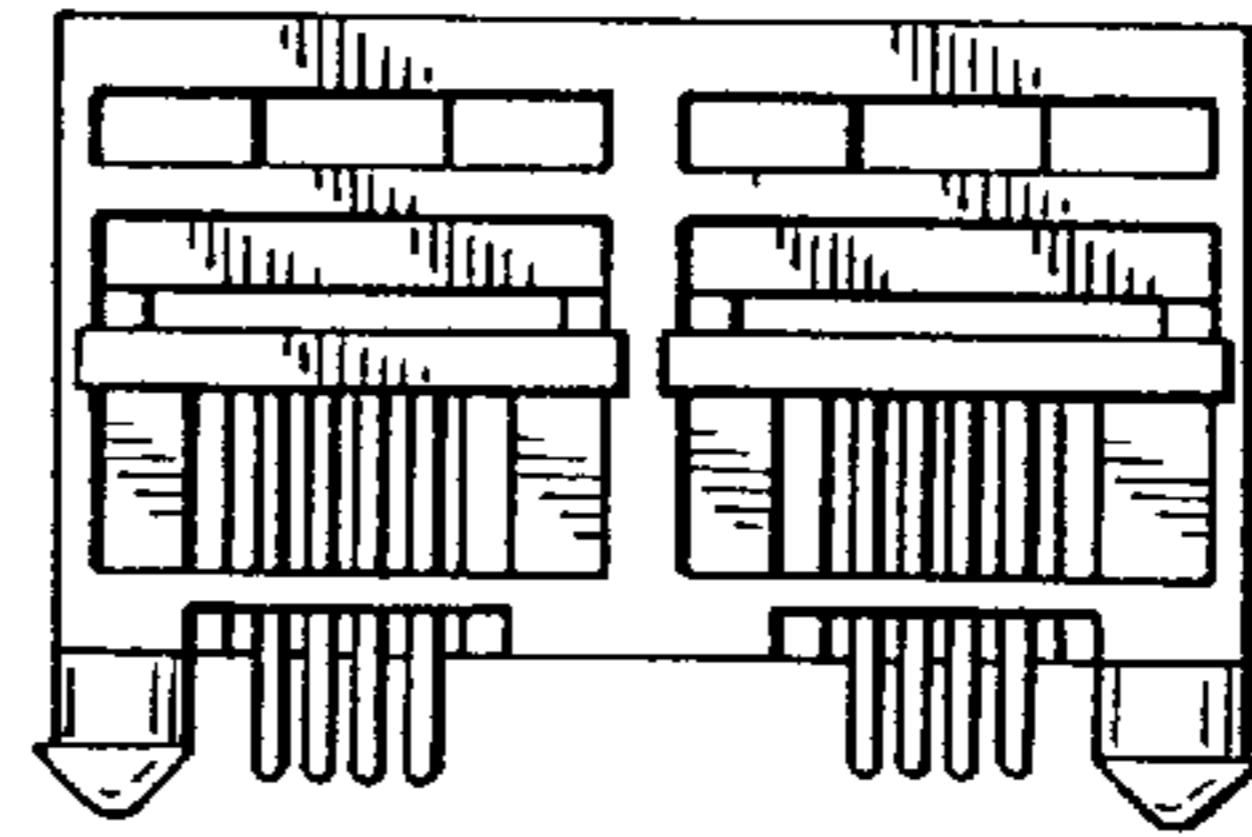


FIG. 4

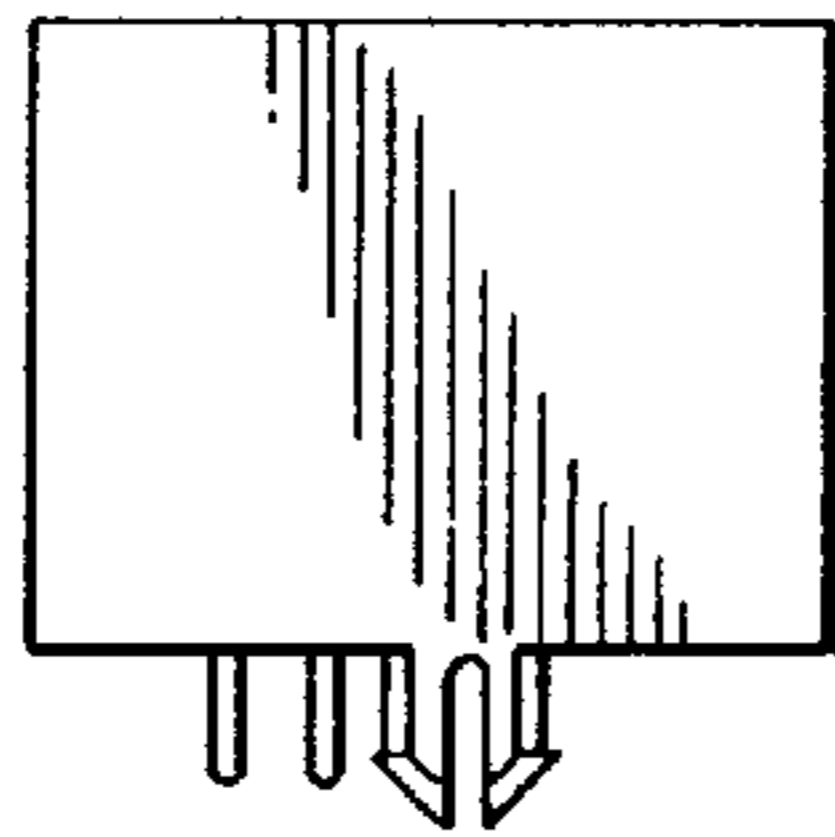


FIG. 5

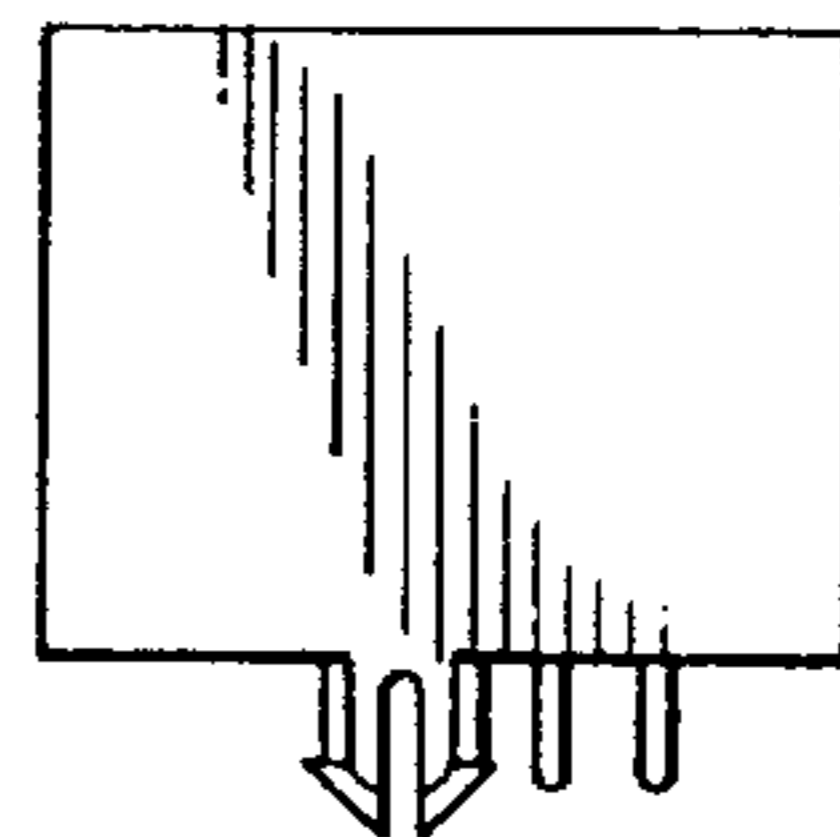


FIG. 6

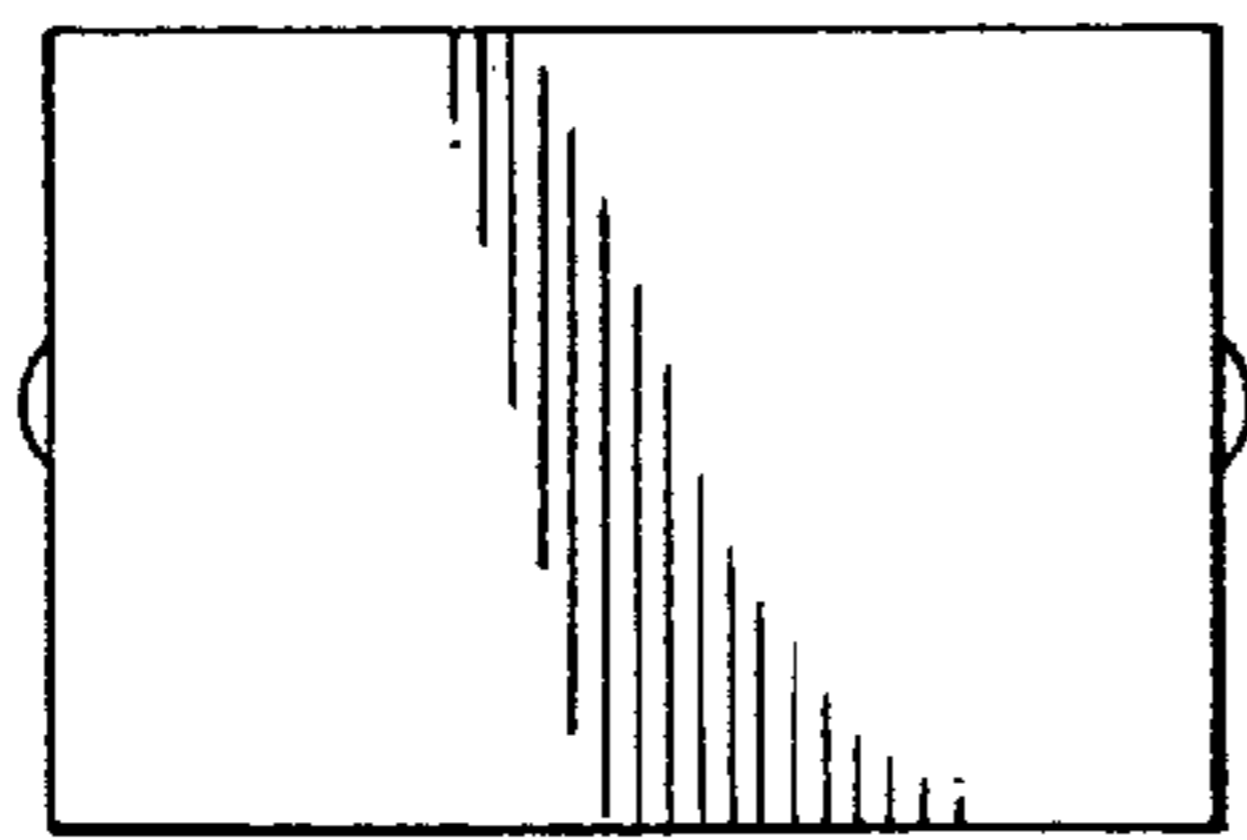


FIG. 7

