



US00D399823S

United States Patent [19]
Stekelenburg

[11] **Patent Number: Des. 399,823**

[45] **Date of Patent: **Oct. 20, 1998**

[54] **SOCKET**

[75] Inventor: **Albert Stekelenburg**, Taipei, Taiwan

[73] Assignee: **All-Line Inc.**, Taipei, Taiwan

[**] Term: **14 Years**

[21] Appl. No.: **67,596**

[22] Filed: **Mar. 12, 1997**

[51] **LOC (6) Cl.** **13-03**

[52] **U.S. Cl.** **D13/139.6**

[58] **Field of Search** D13/146-147,
D13/139.1-139.8, 137.1-137.4; 361/56,
115, 118, 119; 200/51.11; 439/215, 214,
620, 622, 638, 650, 651, 652, 653, 535,
502, 76.1; 307/141

[56] **References Cited**

U.S. PATENT DOCUMENTS

D. 304,324 10/1989 Lovett et al. D13/139.8
D. 379,965 6/1997 Parshad D13/139.6

OTHER PUBLICATIONS

Micro Universal 6 Outlet Strip Surge Suppressor, Item B,
Miller's Office Products, p. 499, 1995.

Primary Examiner—Susan J. Lucas
Assistant Examiner—Jennifer Rivard
Attorney, Agent, or Firm—Bacon & Thomas

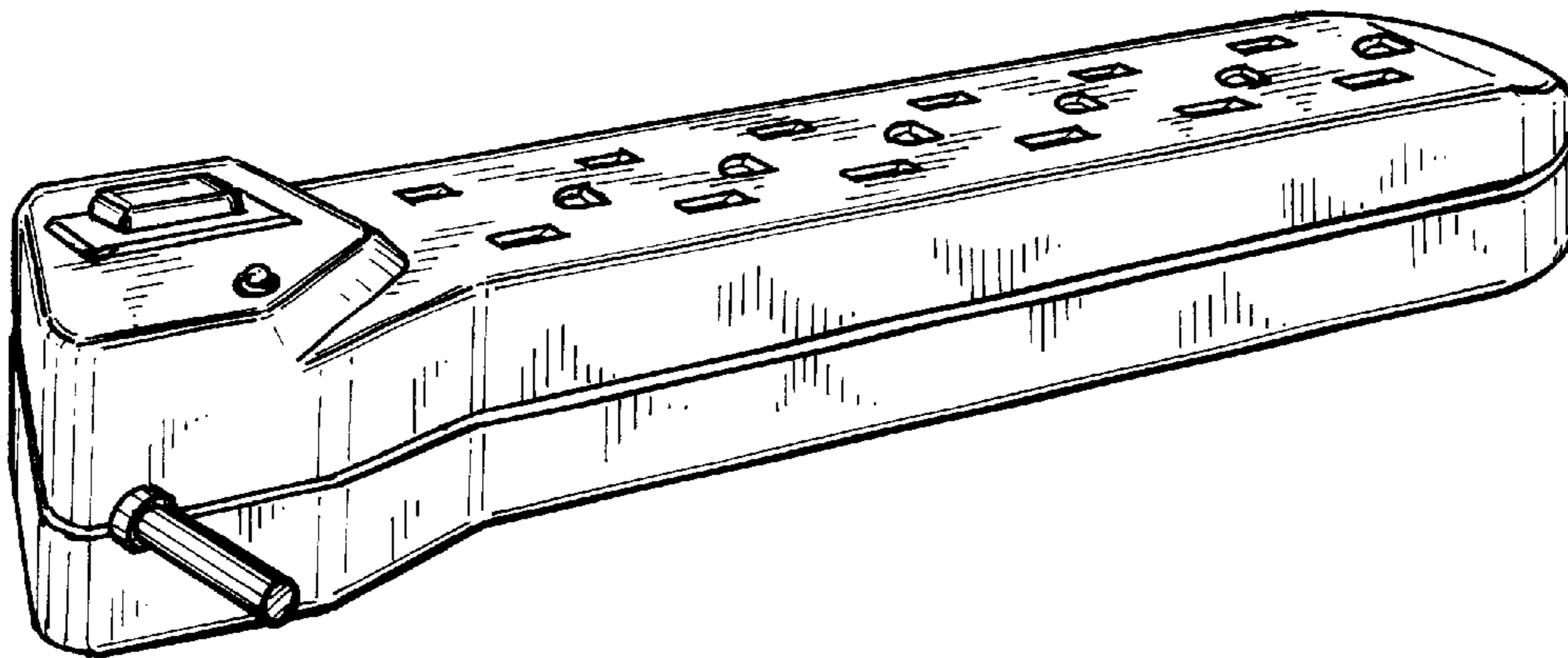
[57] **CLAIM**

The ornamental design for a socket, as shown and described.

DESCRIPTION

FIG. 1 is a top plan view of a socket showing the preferred
embodiment of my new design;
FIG. 2 is a front view thereof;
FIG. 3 is a right side elevational view thereof;
FIG. 4 is a left side elevational view thereof;
FIG. 5 is a rear elevational view thereof;
FIG. 6 is a bottom plan view thereof; and,
FIG. 7 is a perspective view thereof.

1 Claim, 3 Drawing Sheets



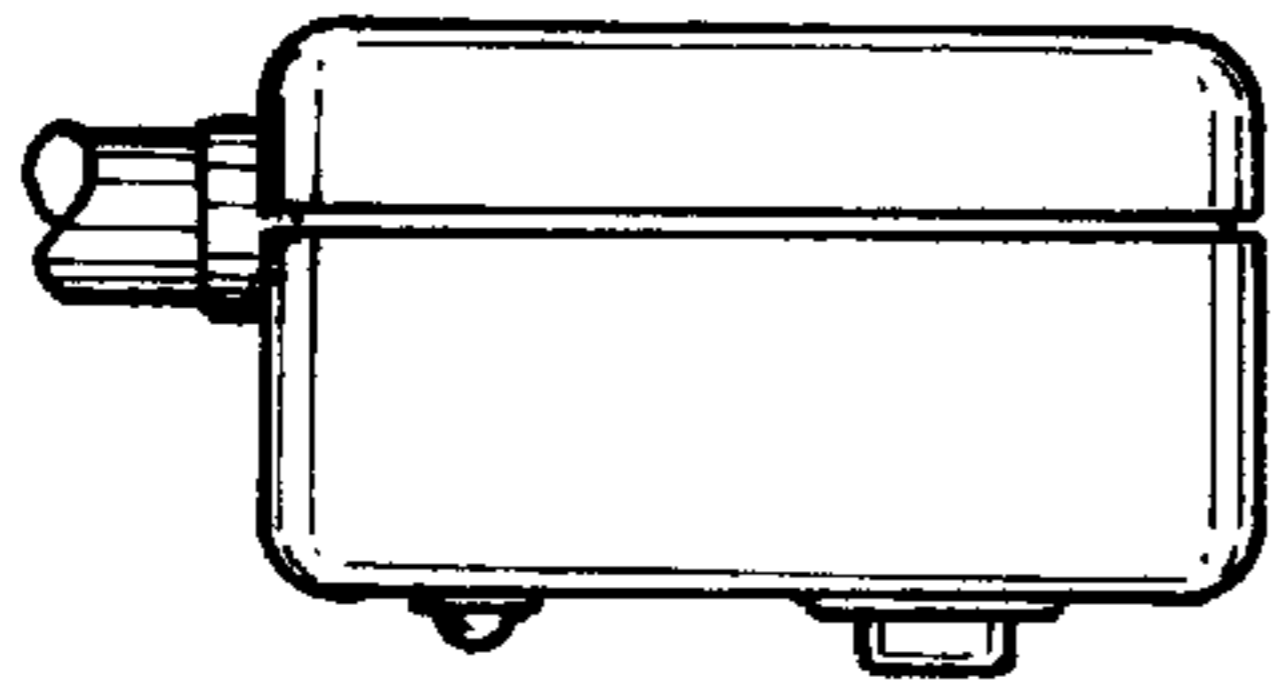


FIG. 1

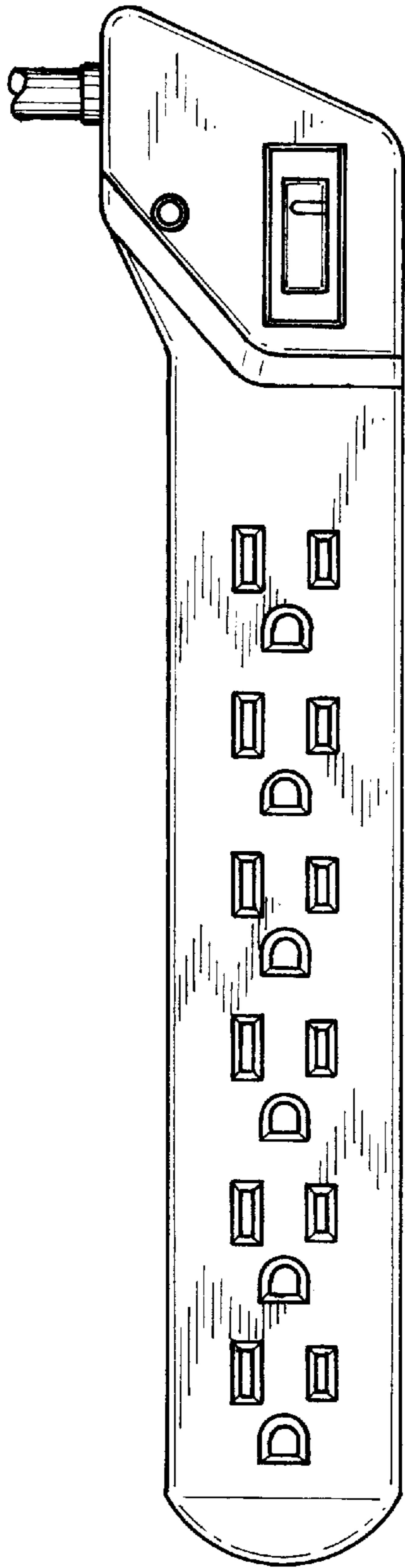


FIG. 2

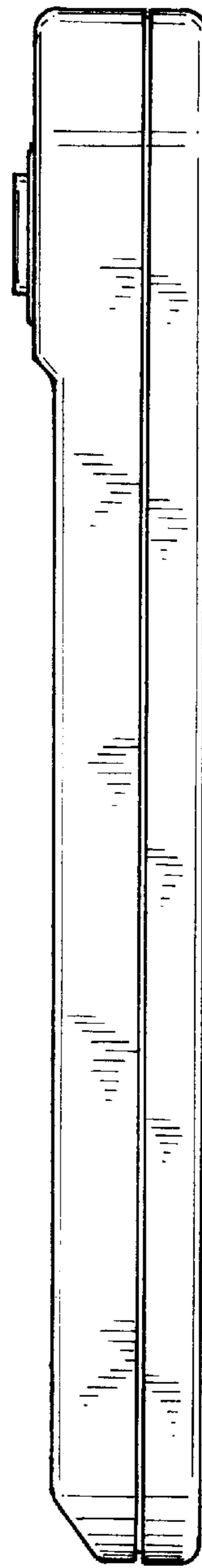


FIG. 3

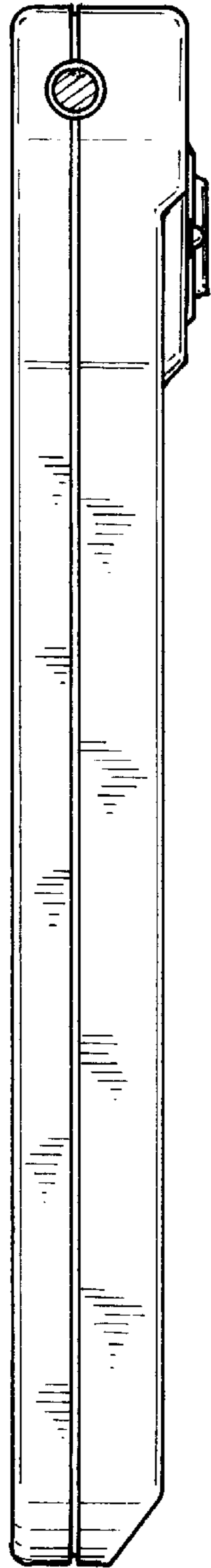


FIG. 4

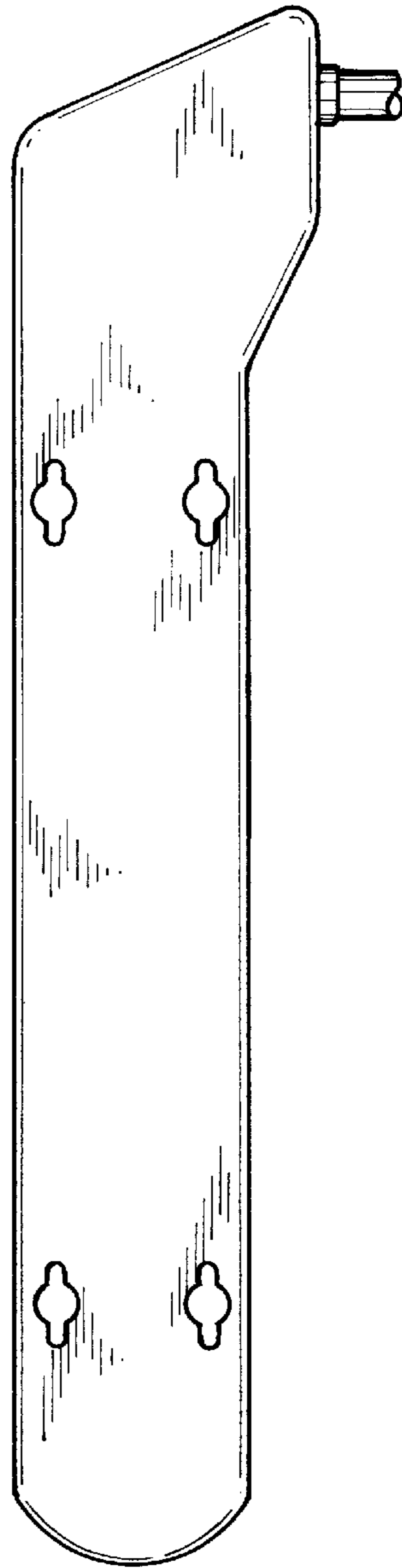


FIG. 5

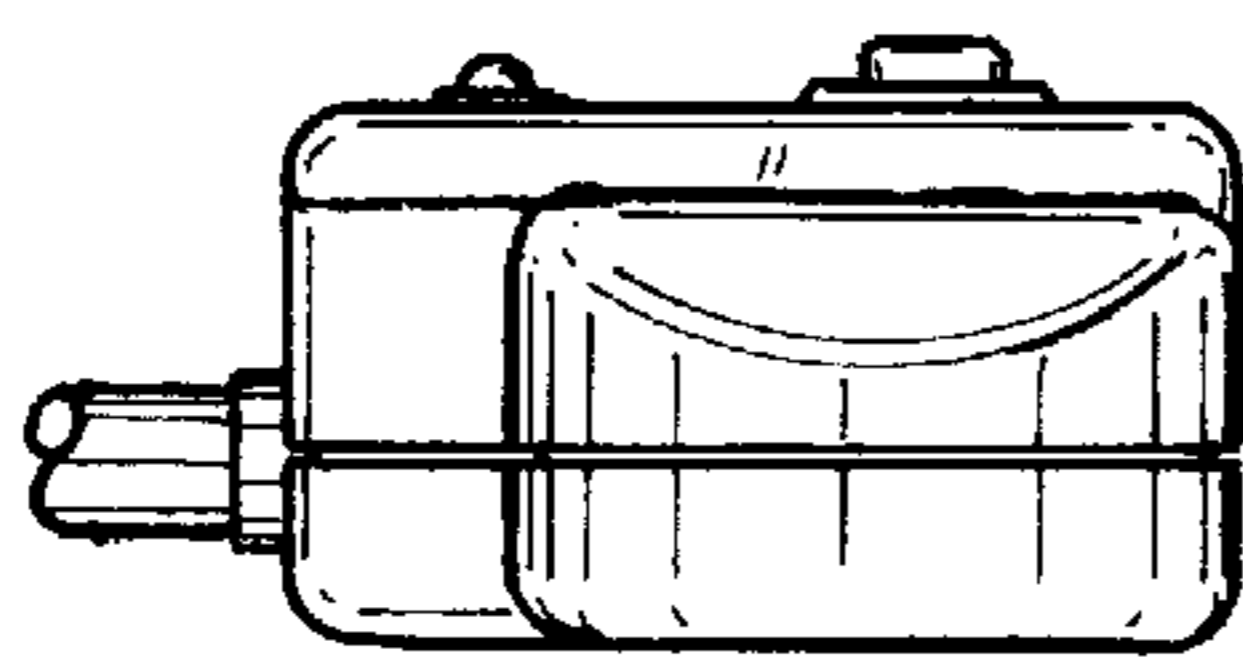


FIG. 6

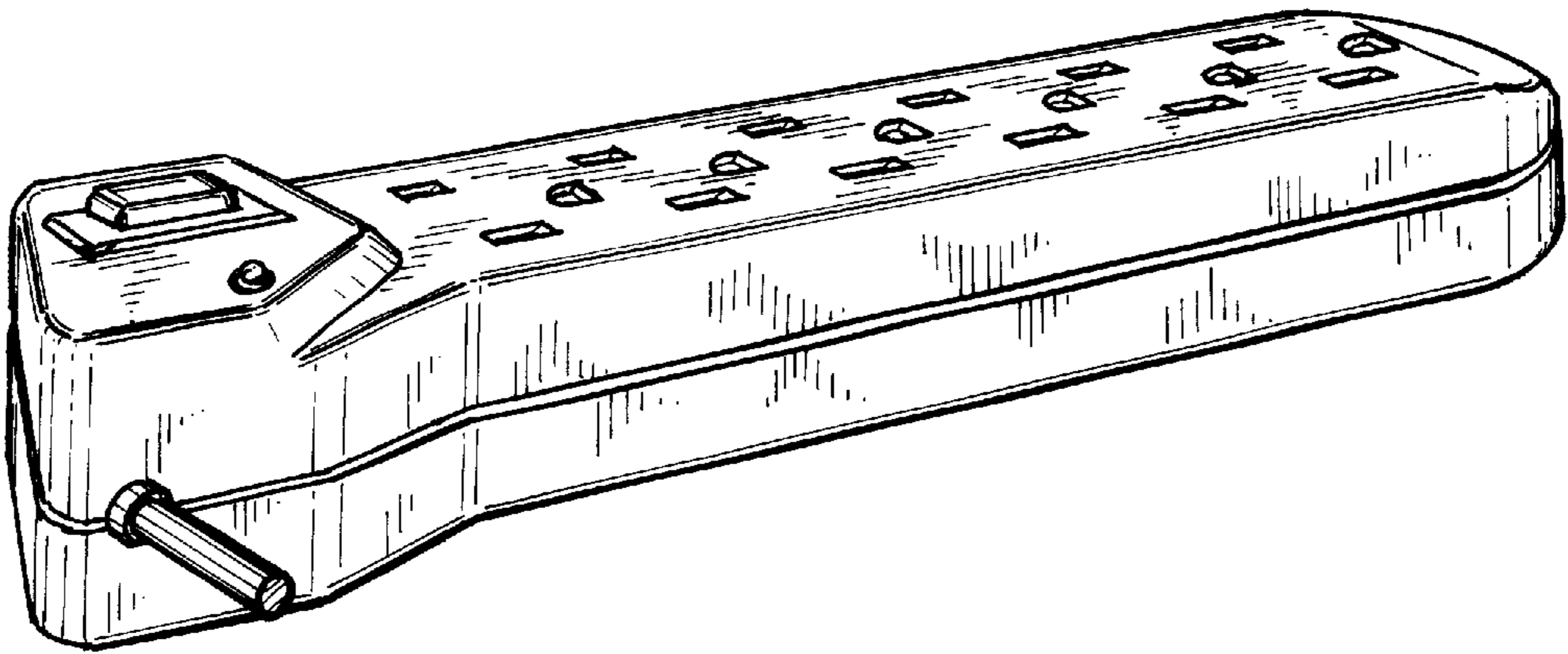


FIG. 7