



US00D399822S

# United States Patent [19]

Starec et al.

[11] **Patent Number: Des. 399,822**

[45] **Date of Patent: \*\*Oct. 20, 1998**

[54] **ELECTRICAL SOCKET**

[75] Inventors: **Rado Starec; James Cowhey**, both of Tullamarine, Australia

[73] Assignee: **Greenshell Pty Ltd**, Tullamarine, Australia

[\*\*] Term: **14 Years**

[21] Appl. No.: **71,976**

[22] Filed: **Jun. 10, 1997**

[30] **Foreign Application Priority Data**

Jan. 14, 1997 [AU] Australia ..... 74/97

[51] **LOC (6) Cl.** ..... **13-03**

[52] **U.S. Cl.** ..... **D13/139.1; D13/138.1**

[58] **Field of Search** ..... D13/138.1-138.2, D13/137.1-137.4, 139.1-139.8; 439/606, 739, 295, 620, 692-695, 655, 682, 653, 555, 140, 141, 152, 160, 135-137, 736; 337/197

[56] **References Cited**

**U.S. PATENT DOCUMENTS**

4,854,894 8/1989 Harrell ..... 439/606

5,295,845	3/1994	Changxing .....	439/173
5,462,457	10/1995	Schroepfer et al. ....	439/736
5,476,396	12/1995	De Castro .....	439/692
5,567,175	10/1996	Wardent et al. ....	439/736 X
5,603,638	2/1997	Brown et al. ....	439/606
5,660,567	8/1997	Nierlich et al. ....	439/620

*Primary Examiner*—Susan J. Lucas  
*Assistant Examiner*—Jennifer Rivard  
*Attorney, Agent, or Firm*—Madson & Metcalf

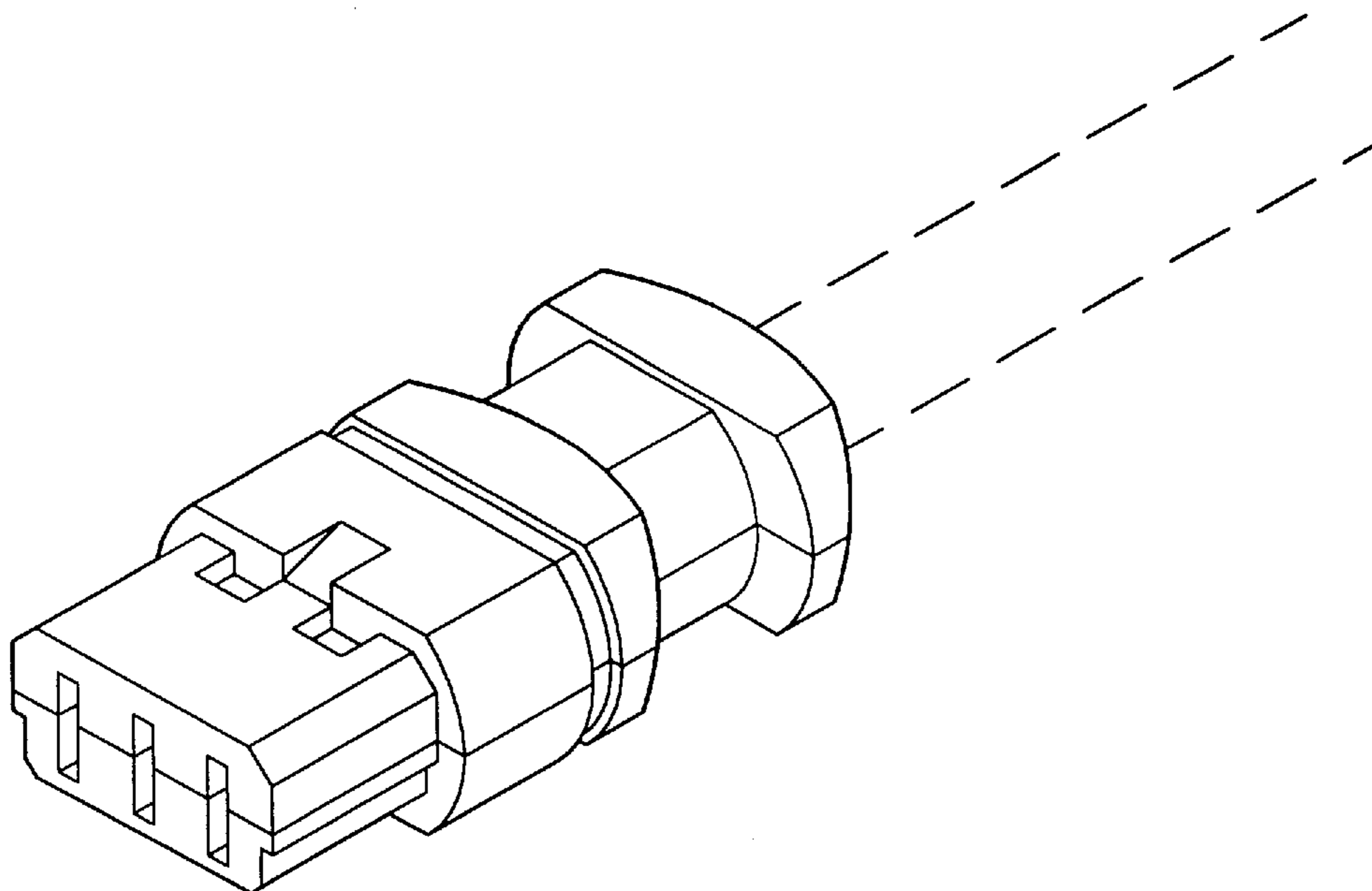
[57] **CLAIM**

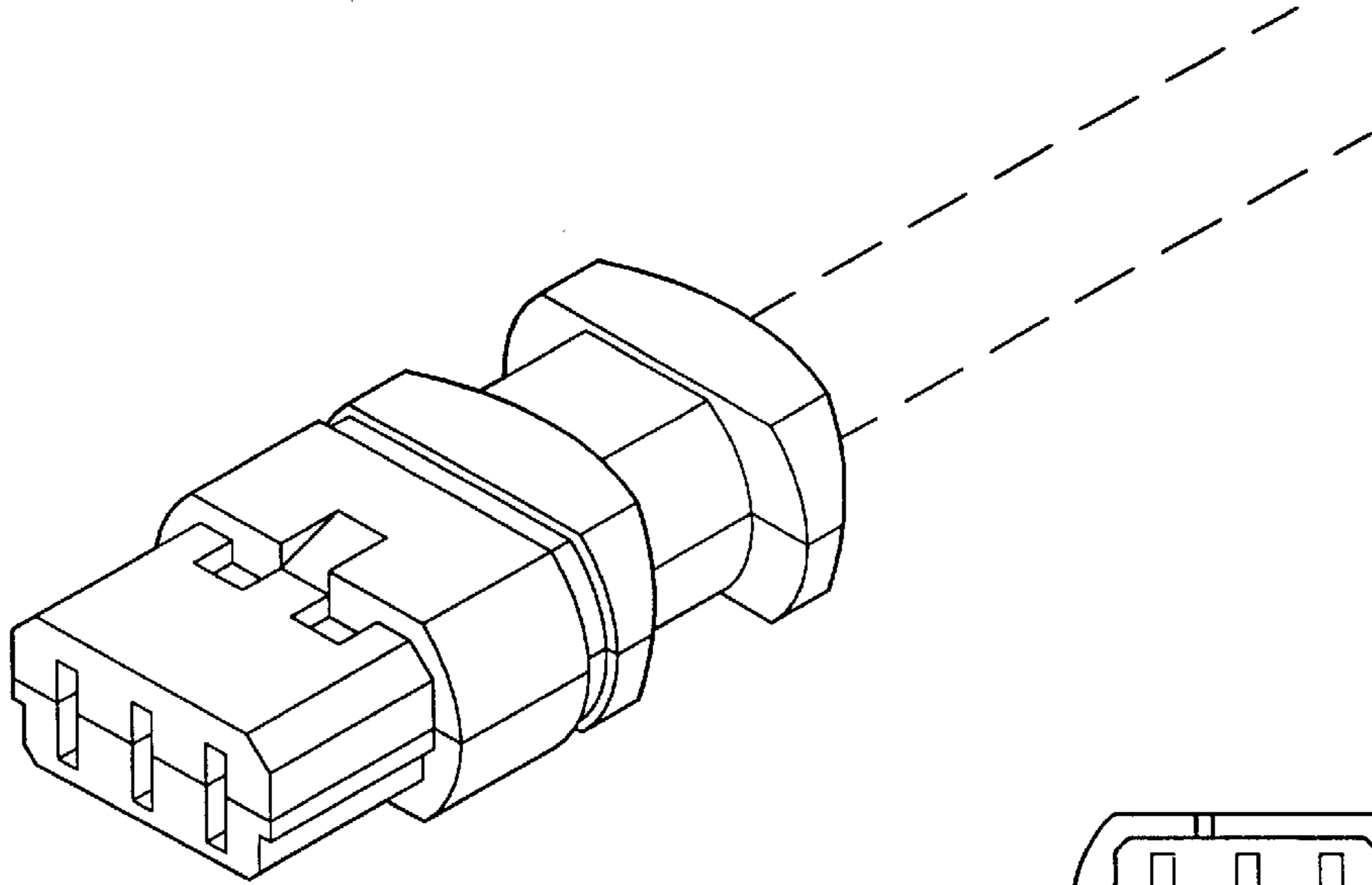
The ornamental design for a electrical socket, as shown and described.

**DESCRIPTION**

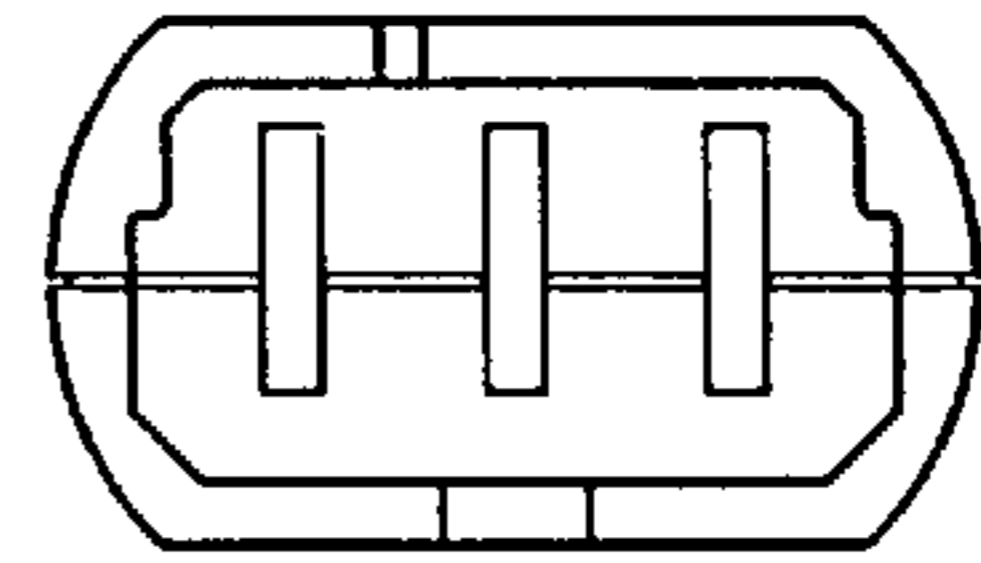
FIG. 1 is a perspective view of an electrical socket according to the present invention;  
FIG. 2 is a bottom view of the electrical socket of FIG. 1;  
FIG. 3 is a right side view of the electrical socket of FIG. 1, the left side view being a mirror image;  
FIG. 4 is a top view of the electrical socket of FIG. 1;  
FIG. 5 is a front side view of the electrical socket of FIG. 1; and,  
FIG. 6 is a back side view of the electrical socket of FIG. 1. The broken lines are shown for illustrative purposes only and form no part of the claimed design.

**1 Claim, 1 Drawing Sheet**

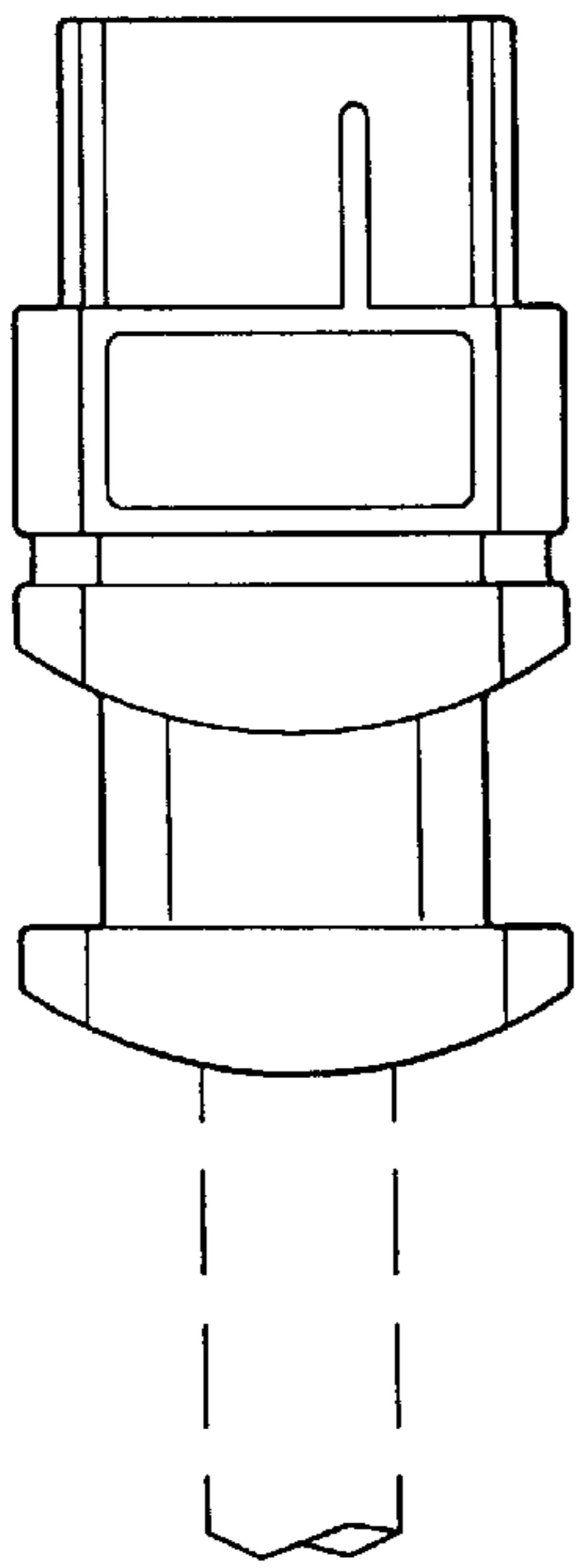




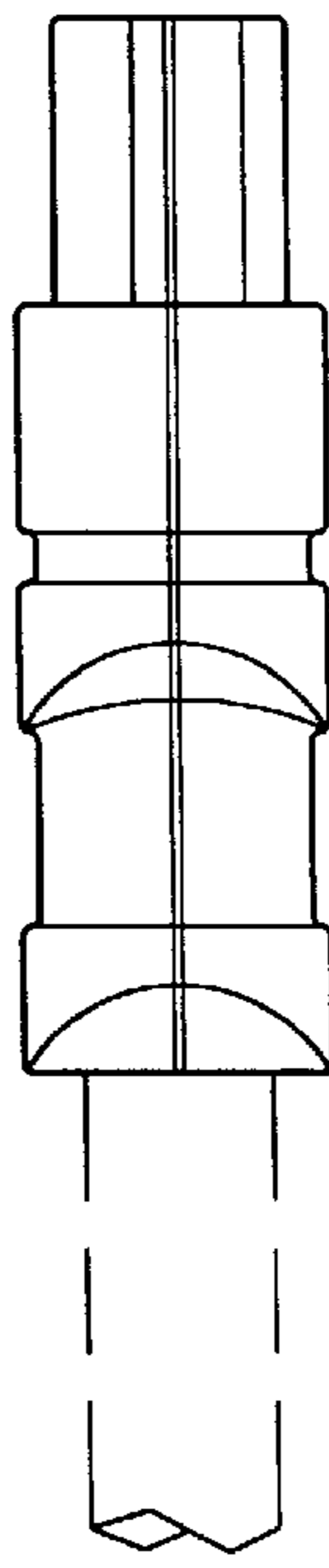
**Fig. 1**



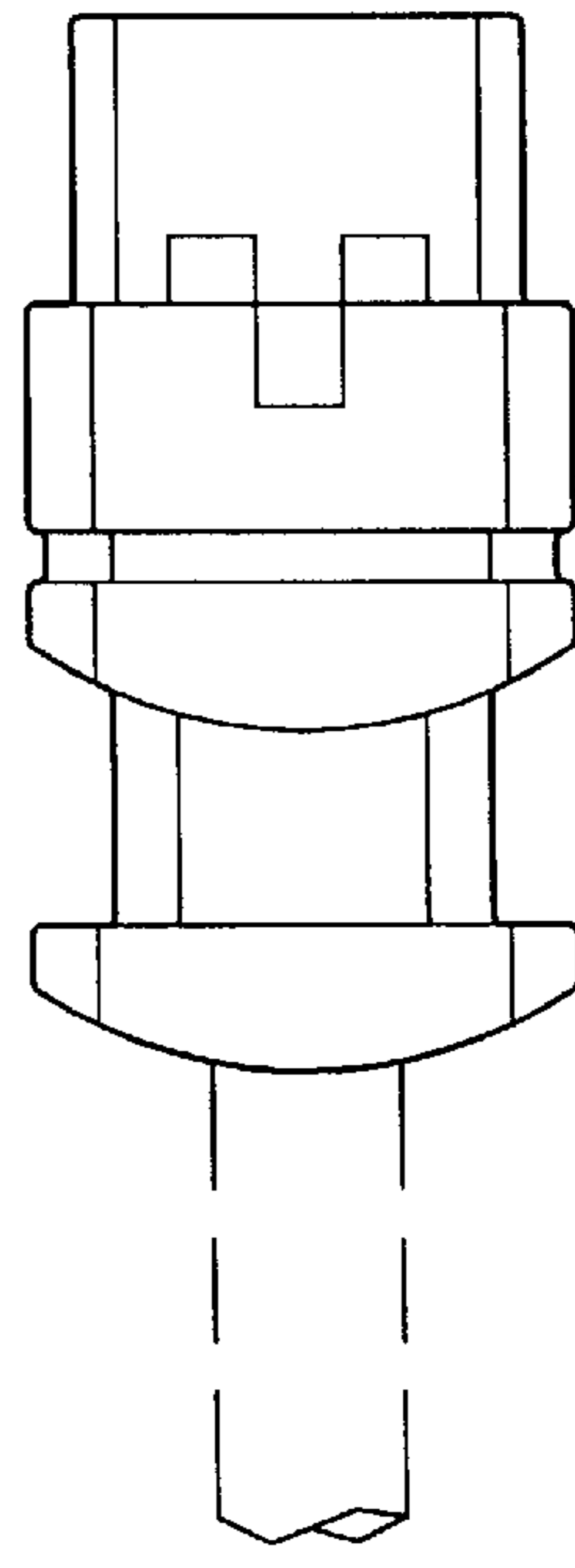
**Fig. 5**



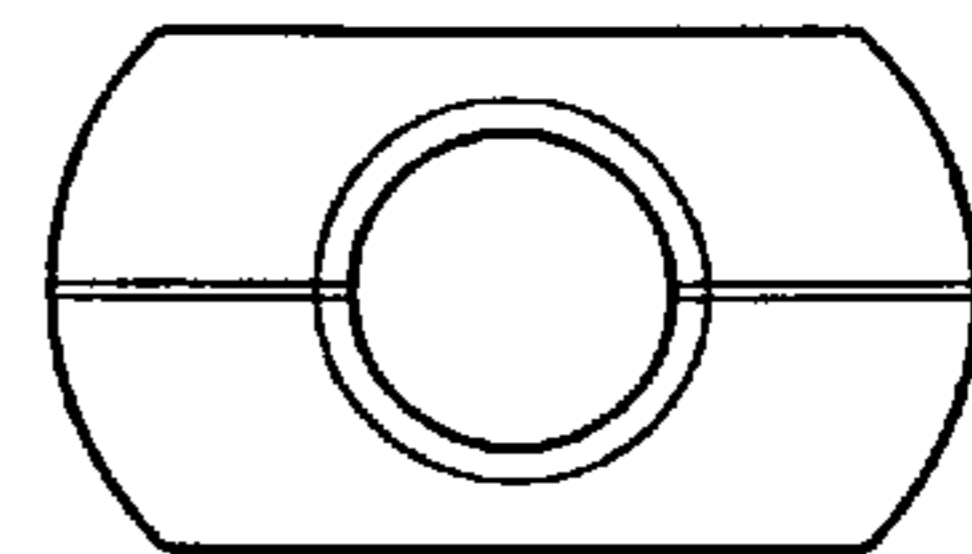
**Fig. 2**



**Fig. 3**



**Fig. 4**



**Fig. 6**