



US00D399821S

United States Patent [19]

Tyneski et al.

[11] Patent Number: **Des. 399,821**

[45] Date of Patent: ****Oct. 20, 1998**

[54] **FRONT SECTION OF A BATTERY CHARGER**

[75] Inventors: **Frank M. Tyneski**, Ft. Lauderdale;
William H. Robertson, Jr., Plantation;
Mark I. Giaratano, Coral Springs, all of Fla.

[73] Assignee: **Motorola, Inc.**, Schaumburg, Ill.

[**] Term: **14 Years**

[21] Appl. No.: **79,048**

[22] Filed: **Nov. 7, 1997**

[51] **LOC (6) Cl.** **13-02**

[52] **U.S. Cl.** **D13/118; D13/107**

[58] **Field of Search** D13/107, 108,
D13/118; D14/149, 251, 253; 320/110-115

[56] **References Cited**

U.S. PATENT DOCUMENTS

- D. 215,303 9/1969 Carpenter D13/108
- D. 358,364 5/1995 Siddoway D13/108

- D. 363,491 10/1995 Hellier et al. D14/253 X
- D. 380,729 7/1997 Richards et al. D13/108
- D. 385,283 10/1997 Snyder et al. D14/253
- D. 385,530 10/1997 Hames et al. D13/107
- D. 390,824 2/1998 Foster et al. D13/108
- D. 393,625 4/1998 Riccobon D13/107
- 5,479,486 12/1995 Saji 320/115 X

Primary Examiner—Joel Sincavage
Attorney, Agent, or Firm—Andrew S. Fuller

[57] **CLAIM**

The ornamental design for a front portion of a battery charger, as shown and described.

DESCRIPTION

FIG. 1 is a top plan view of the front section of a battery charger showing our new design;
FIG. 2 is a bottom plan view thereof;
FIG. 3 is a left elevational view thereof;
FIG. 4 is a right elevational view thereof;
FIG. 5 is a front elevational view thereof;
FIG. 6 is a rear elevational view thereof; and,
FIG. 7 is a top right front isometric view thereof.

1 Claim, 4 Drawing Sheets

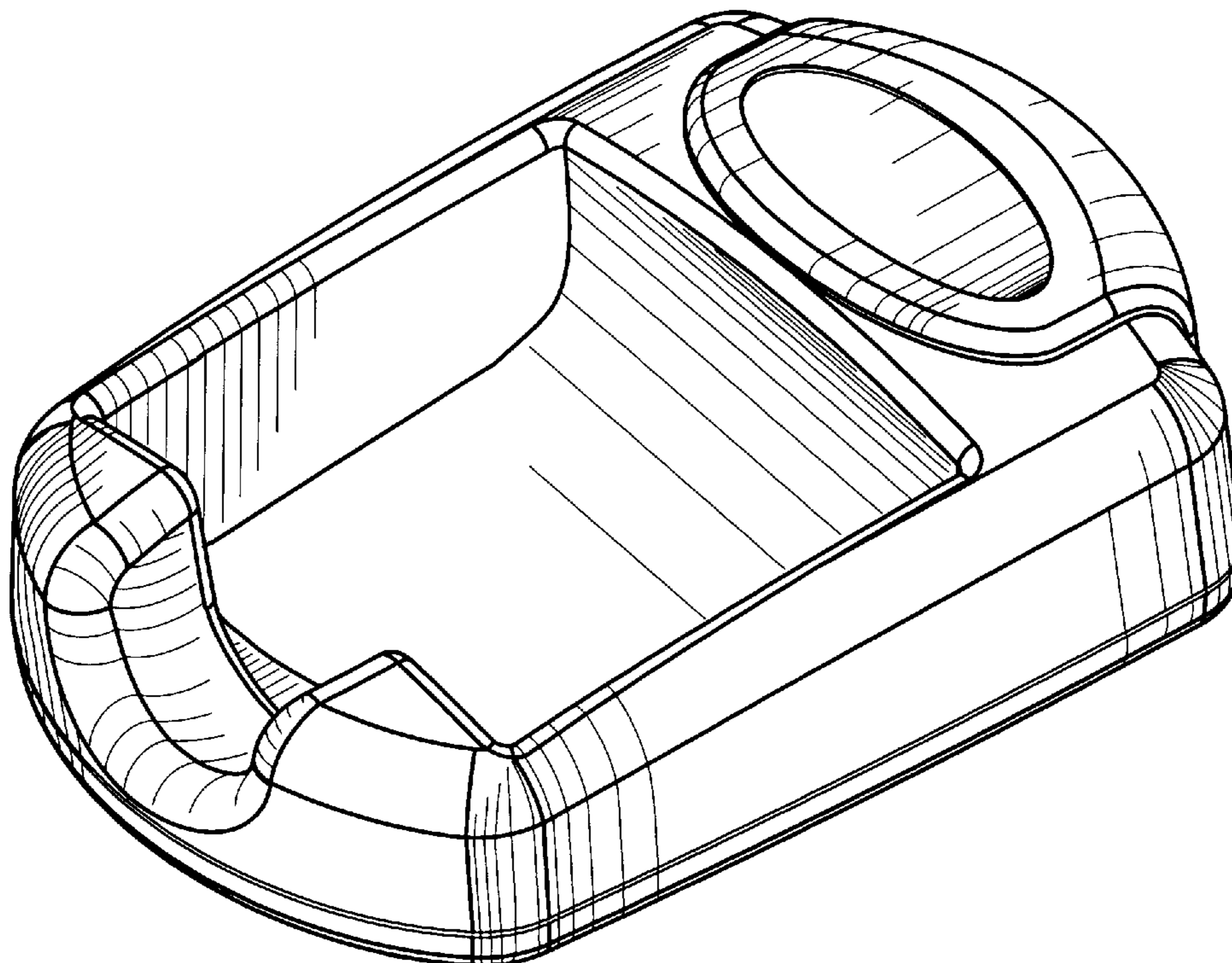


FIG. 2

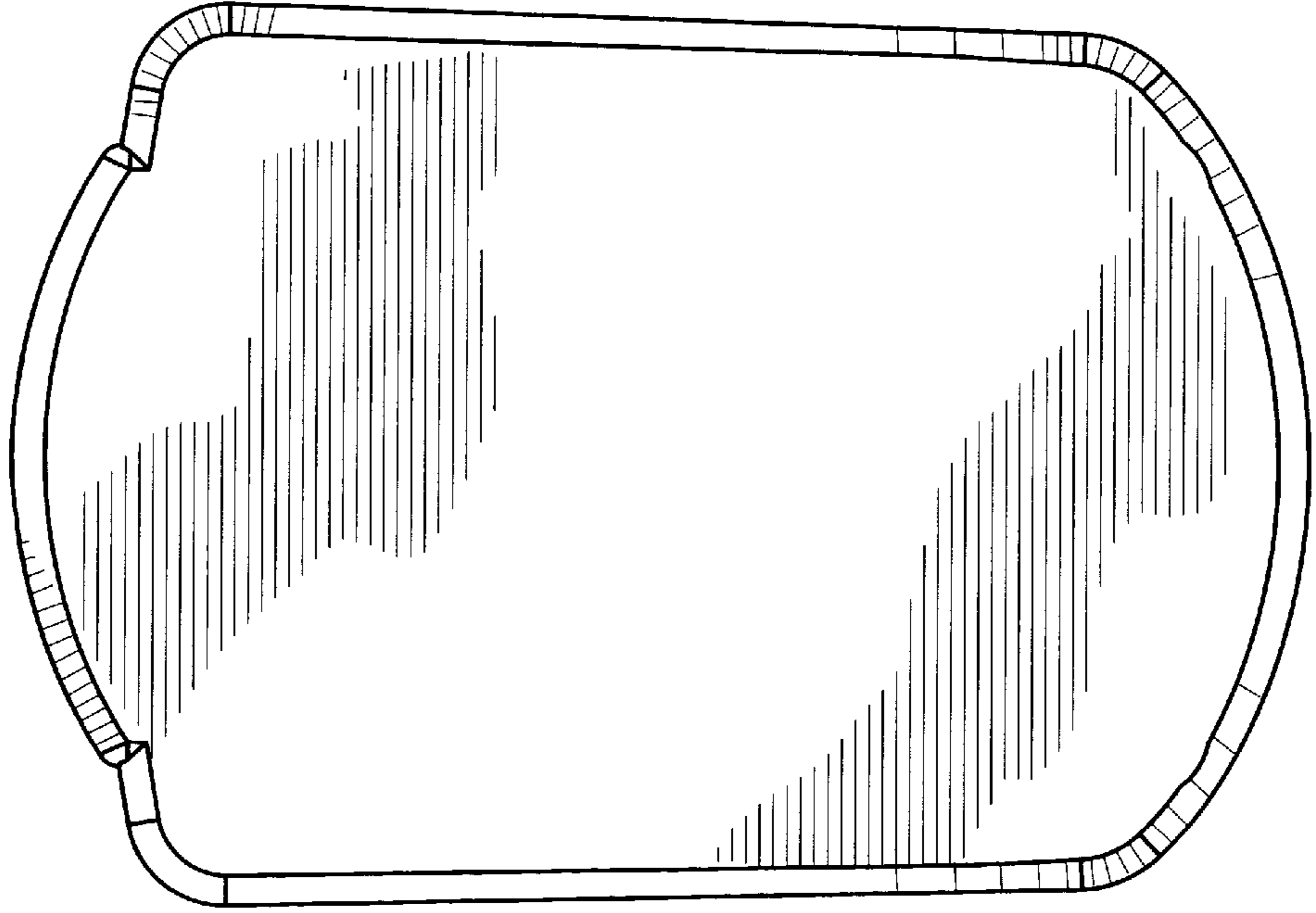


FIG. 1

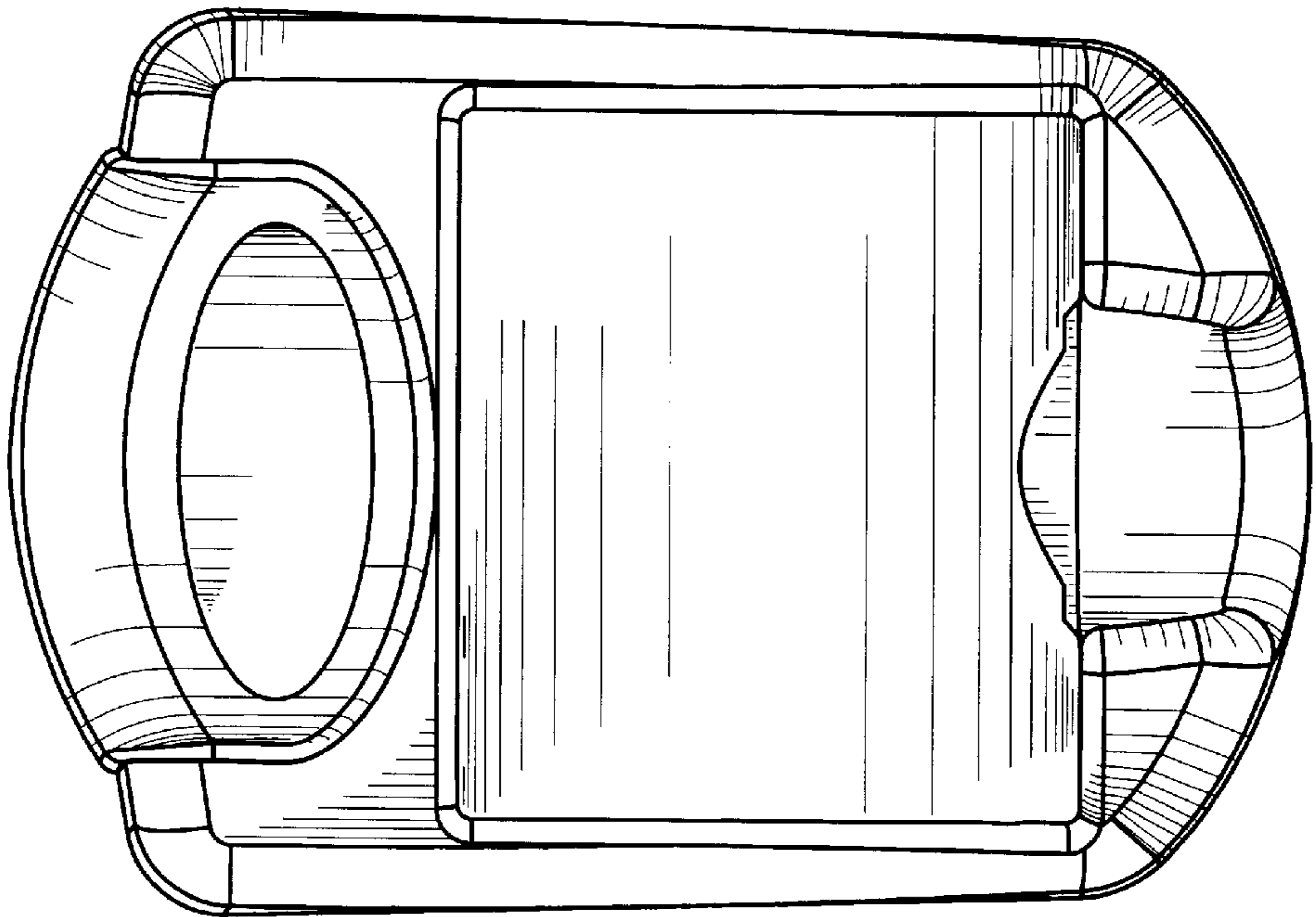


FIG. 4

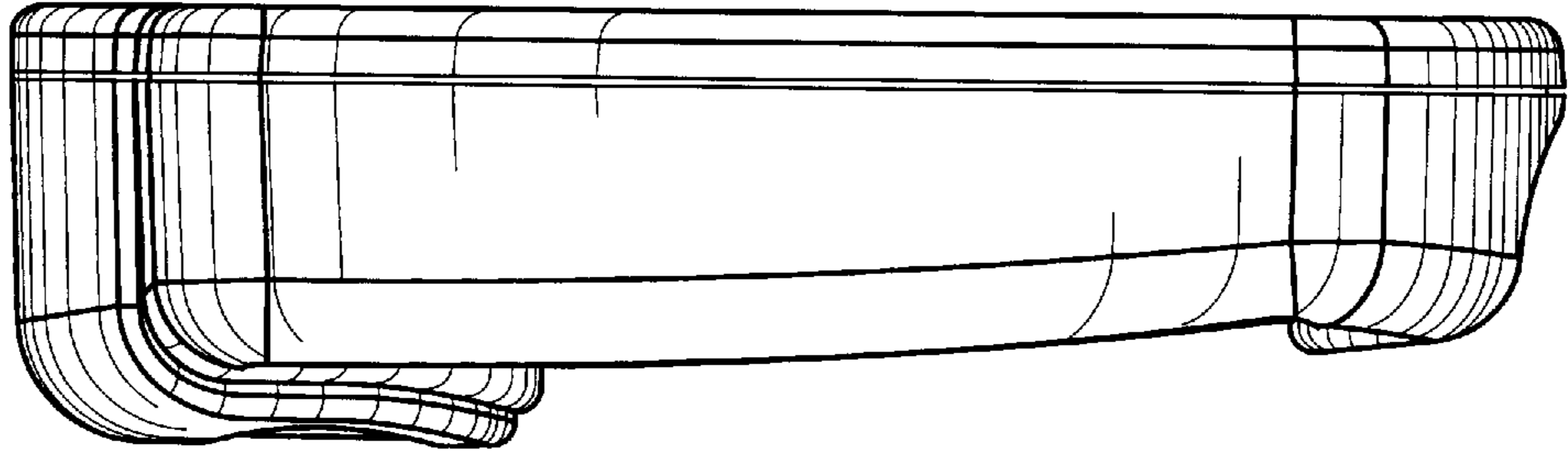


FIG. 3

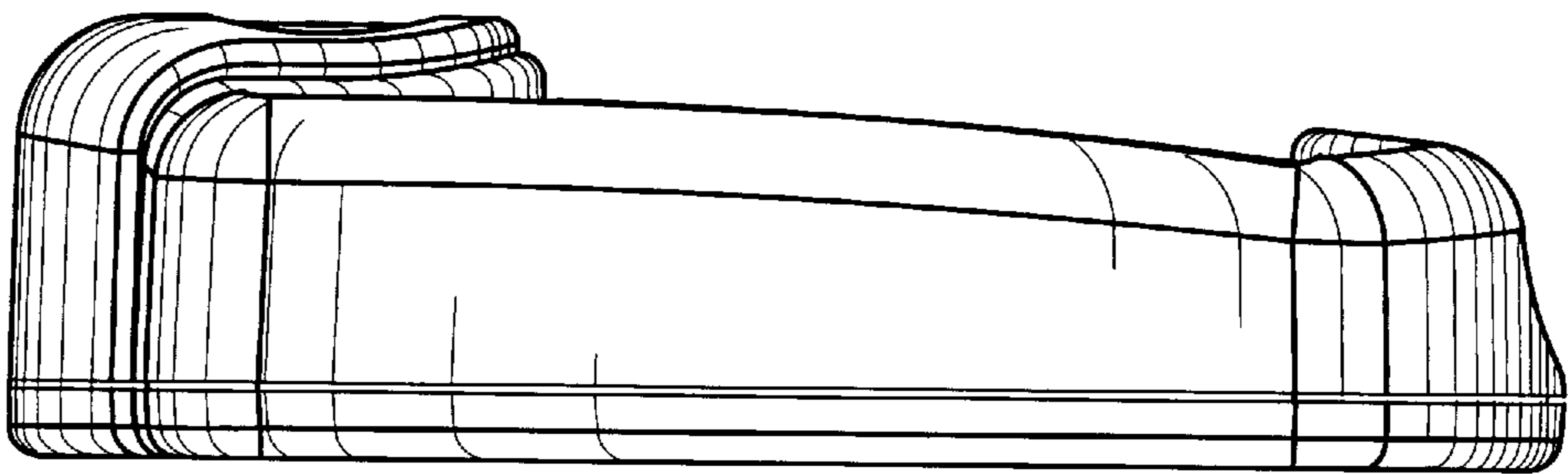


FIG. 6

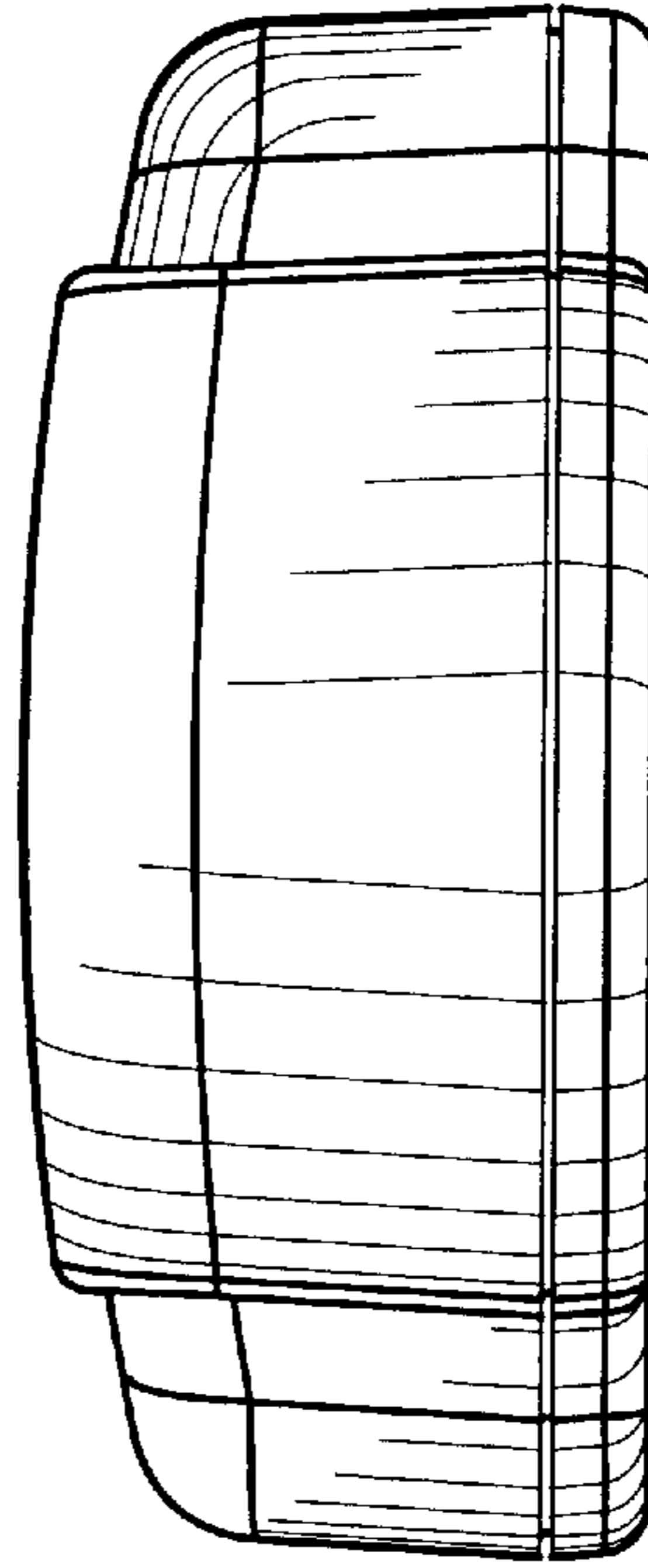


FIG. 5

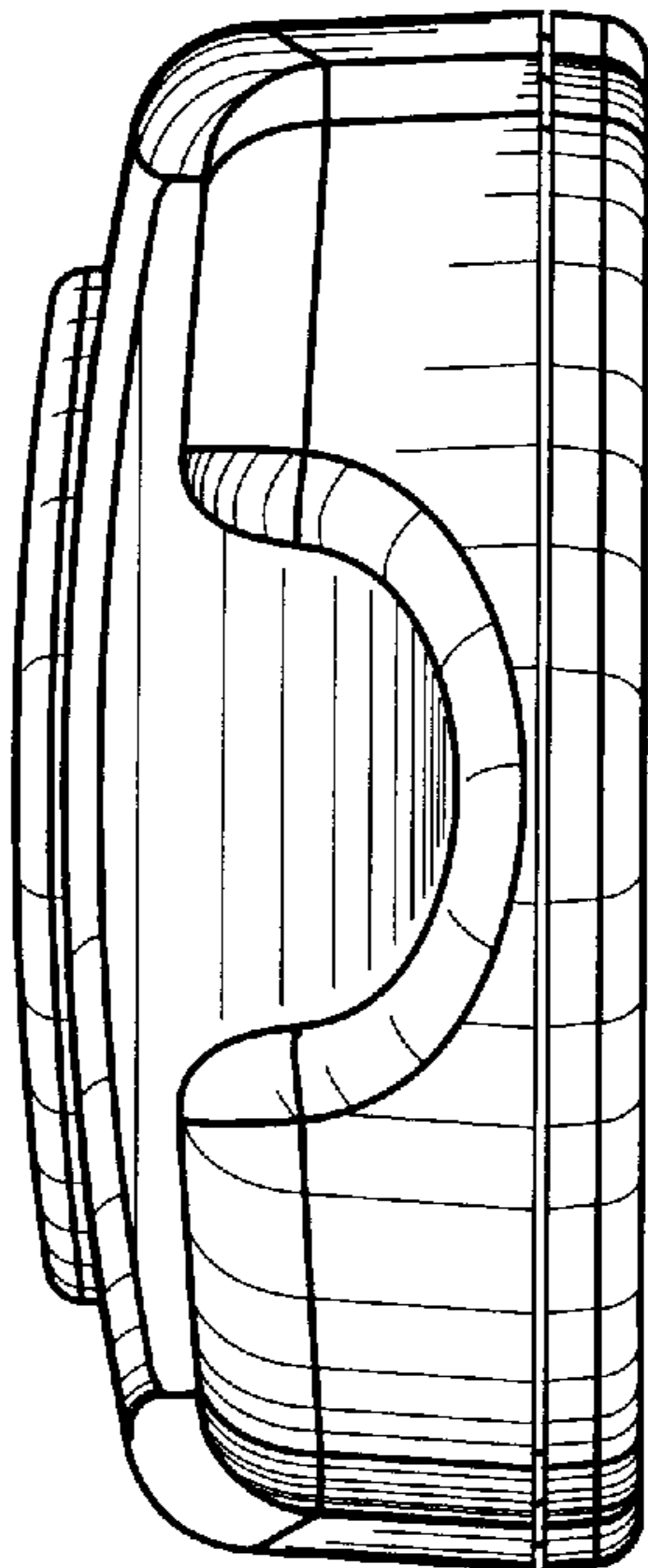


FIG. 7

