



US00D399820S

# United States Patent [19] Henrici

[11] **Patent Number: Des. 399,820**

[45] **Date of Patent: \*\*Oct. 20, 1998**

[54] **FLUORESCENT LAMP HOLDER**

D. 130,269	11/1941	Magenat .....	D13/134
2,510,628	6/1950	Goebel .....	D13/134 X
4,575,785	3/1986	Lerude et al. ....	362/226

[75] Inventor: **Dieter Henrici**, Arnsberg, Germany

[73] Assignee: **Brokelmann, Jaeger & Busse, GmbH & Co.**, Arnsberg, Germany

[\*\*] Term: **14 Years**

[21] Appl. No.: **70,340**

[22] Filed: **May 6, 1997**

*Primary Examiner*—Holly Baynham  
*Attorney, Agent, or Firm*—Herbert Dubno

### [57] CLAIM

The ornamental design for a fluorescent lamp holder, as shown and described.

### Related U.S. Application Data

[62] Division of Ser. No. 45,065, Oct. 6, 1995.

### [30] Foreign Application Priority Data

Apr. 3, 1995 [XH] Hague Agreement ..... DM/032641

[51] **LOC (6) Cl.** ..... **13-03**

[52] **U.S. Cl.** ..... **D13/134**

[58] **Field of Search** ..... D13/134; 362/226,  
362/249, 306, 260, 296; D26/138, 28, 140;  
248/316.1

### DESCRIPTION

FIG. 1 is a top, front right side perspective view of a fluorescent lamp holder embodying my new design;

FIG. 2 is a front view thereof;

FIG. 3 is a left side elevational view thereof, the right side being mirror symmetrical thereto;

FIG. 4 is a rear elevational view thereof;

FIG. 5 is a top view thereof; and,

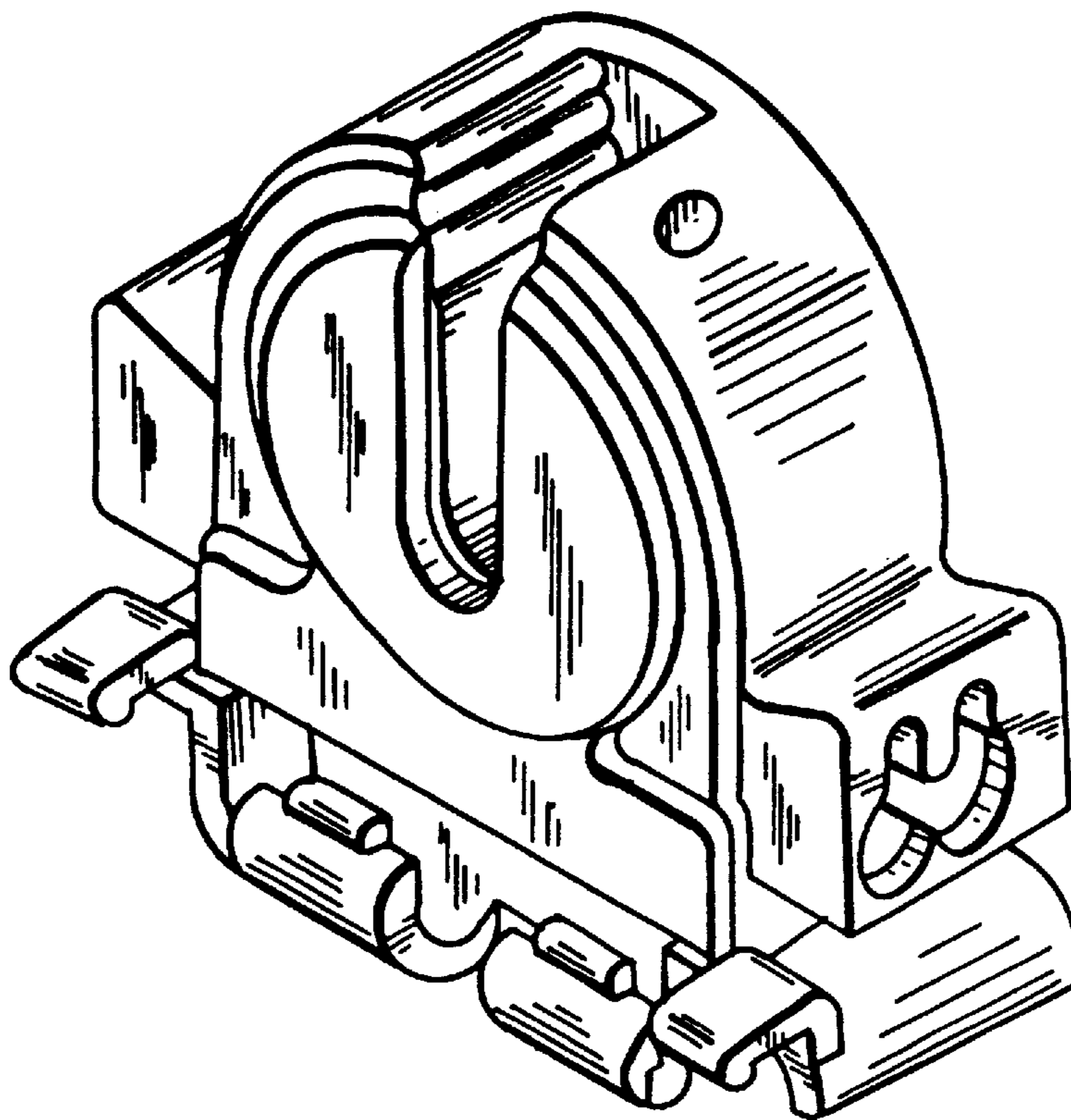
FIG. 6 is a bottom view thereof.

### [56] References Cited

#### U.S. PATENT DOCUMENTS

D. 47,241 4/1915 Cosgrave ..... D13/134

**1 Claim, 2 Drawing Sheets**



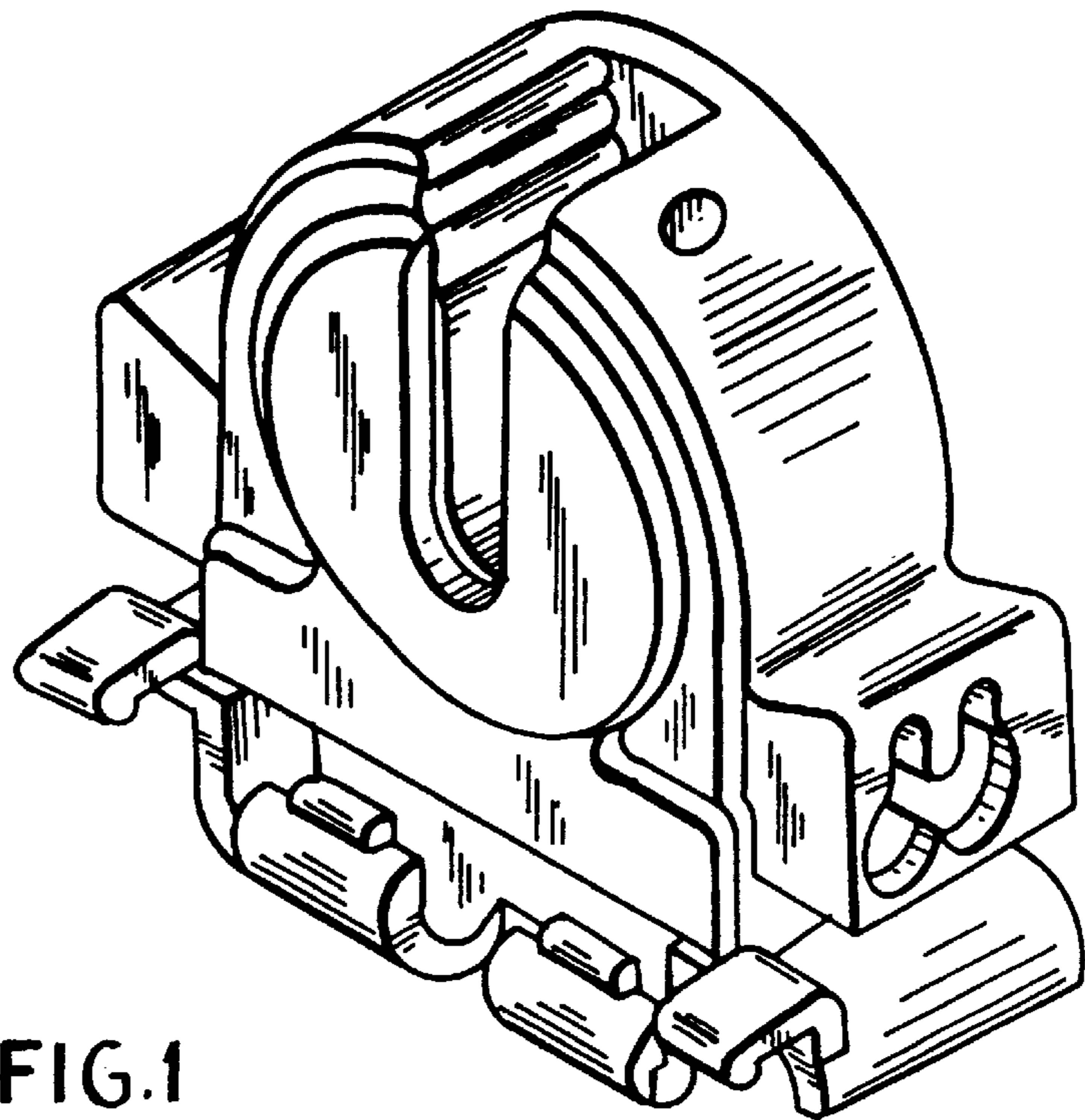


FIG. 1

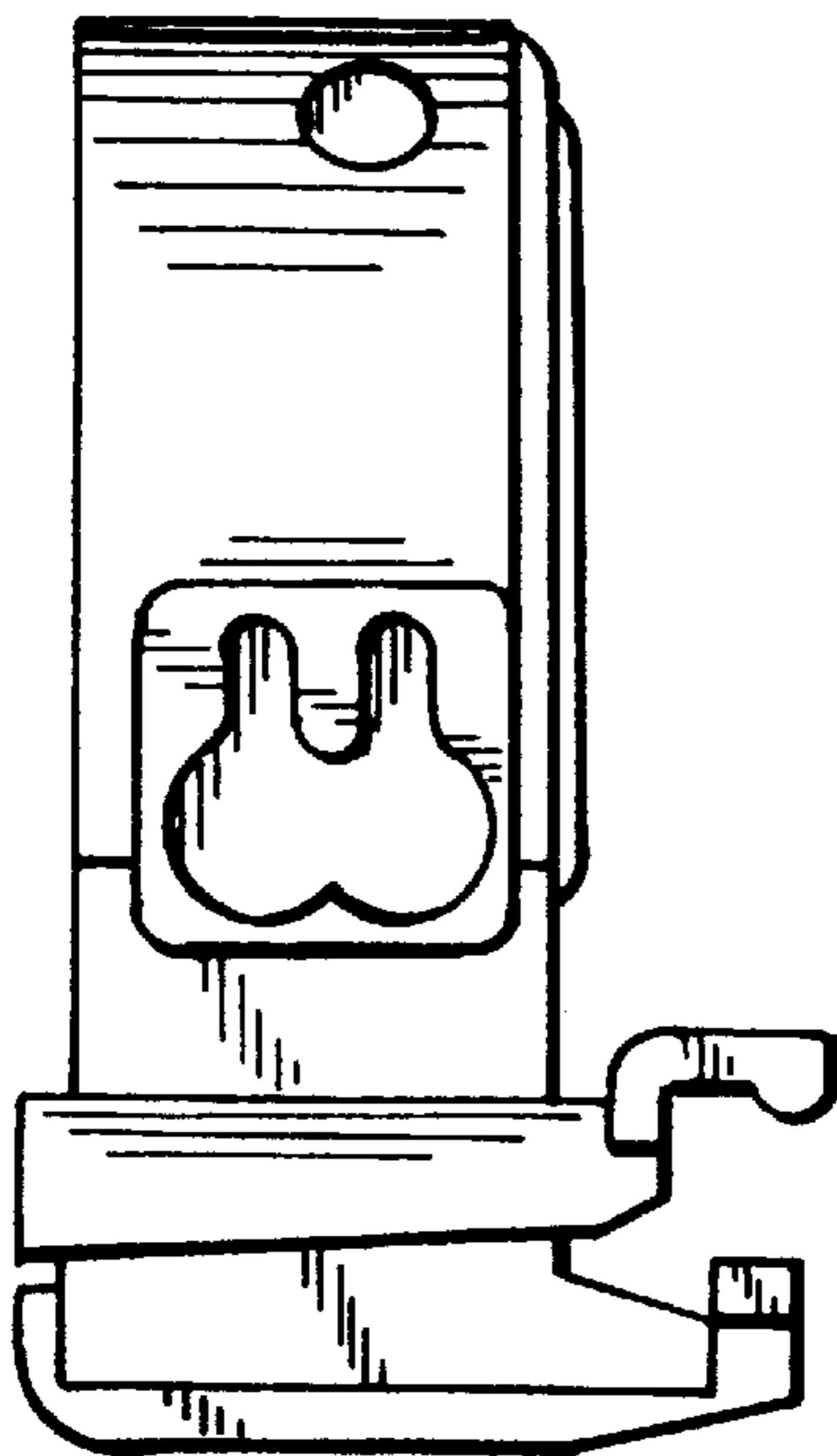


FIG. 3

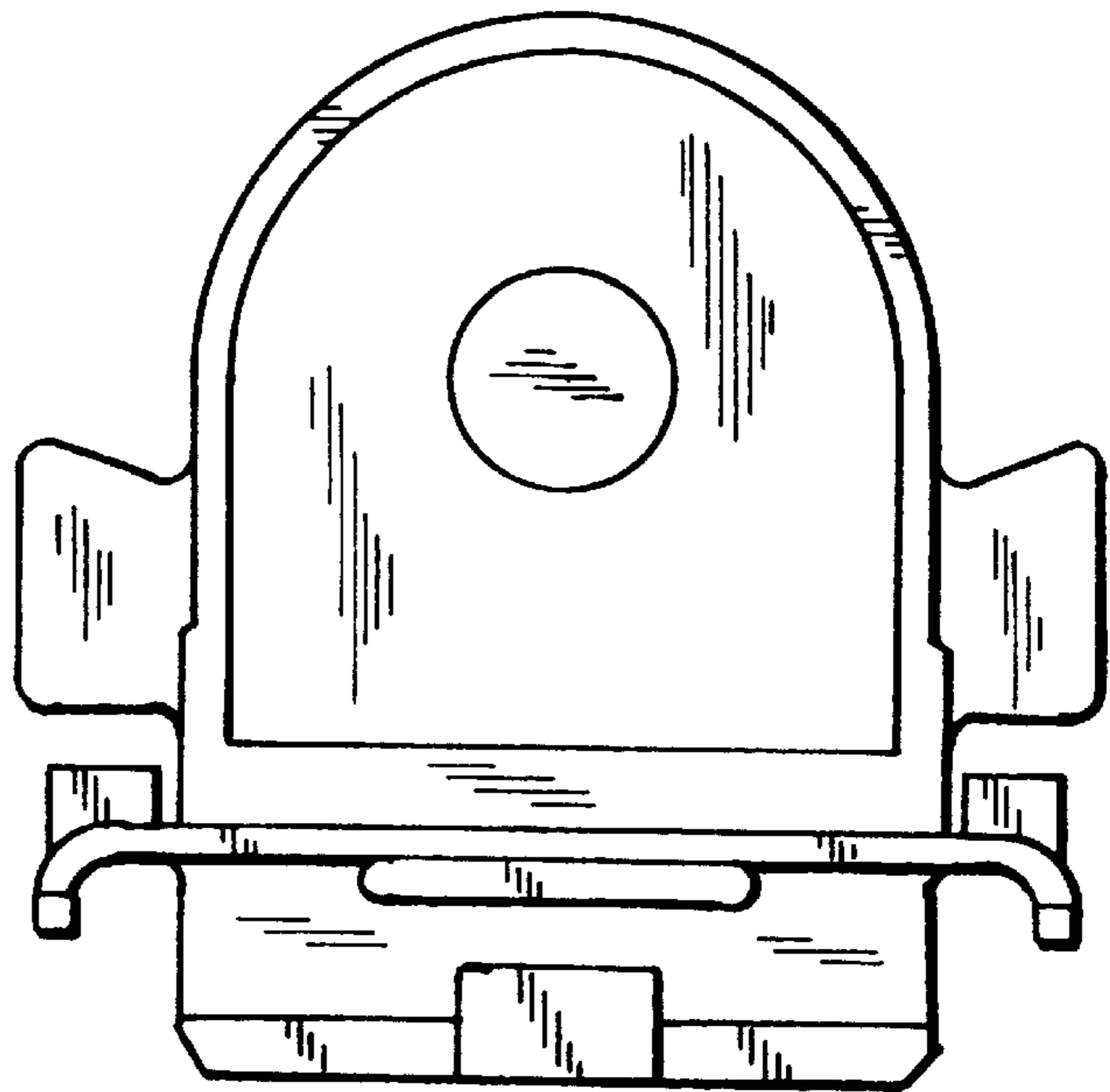


FIG. 4

FIG.6

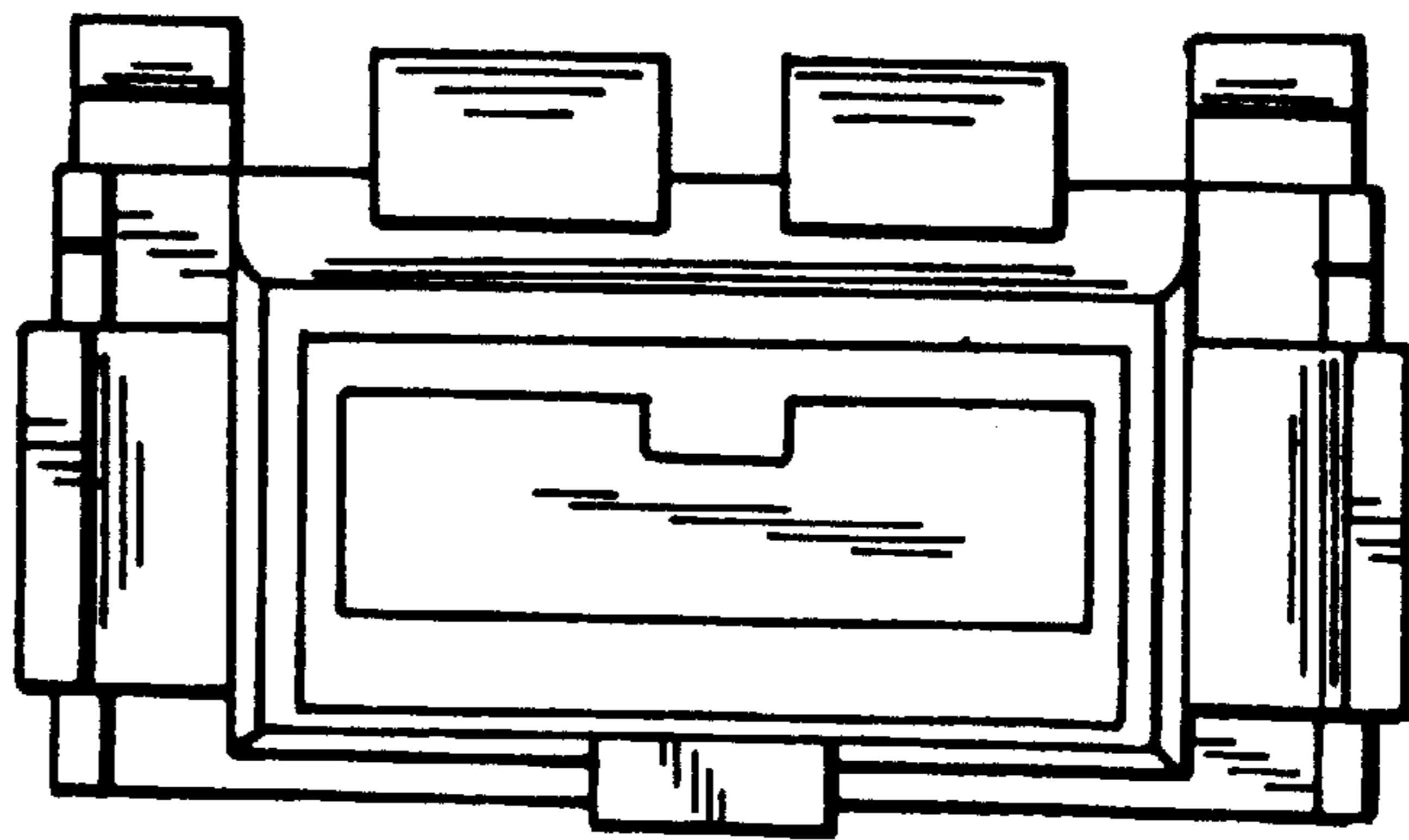


FIG.2

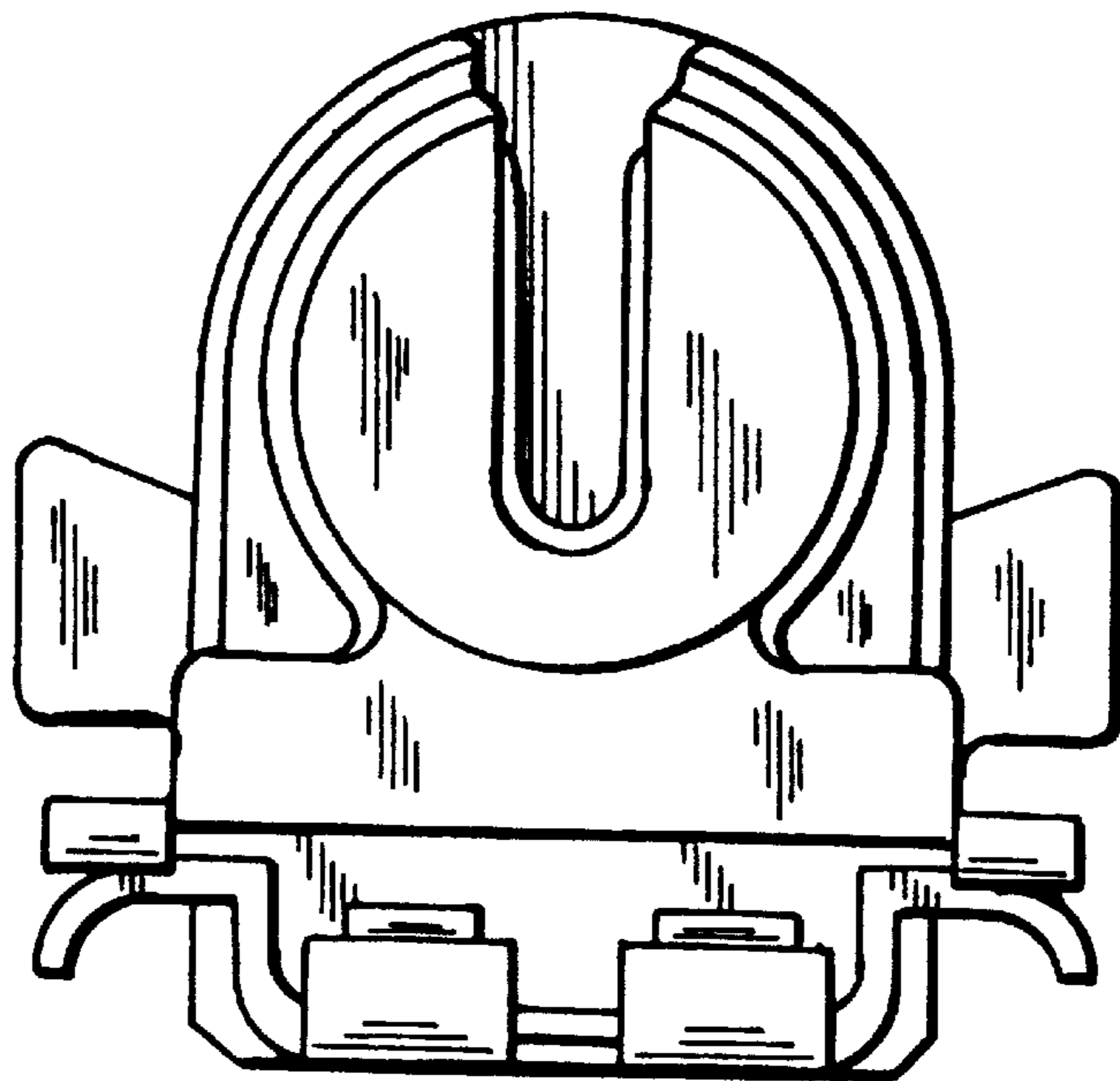


FIG.5

