



US00D399819S

United States Patent [19]

Iida

[11] **Patent Number: Des. 399,819**

[45] **Date of Patent: **Oct. 20, 1998**

[54] **BATTERY CASE**

[75] Inventor: **Hiroyuki Iida**, Sakai, Japan

[73] Assignee: **Cateye Co., Ltd.**, Japan

[**] Term: **14 Years**

[21] Appl. No.: **58,055**

[22] Filed: **Aug. 7, 1996**

[51] **LOC (6) Cl.** **13-02**

[52] **U.S. Cl.** **D13/103**

[58] **Field of Search** D13/103, 118,
D13/119; 429/96-100, 163, 176

[56] **References Cited**

U.S. PATENT DOCUMENTS

D. 307,886	5/1990	Ching, Jr. et al.	D13/103
5,521,022	5/1996	Petzl	429/97
5,683,831	11/1997	Baril et al.	429/96

Primary Examiner—Joel Sincavage
Attorney, Agent, or Firm—Olson & Hierl, Ltd.

[57] **CLAIM**

The ornamental design for a battery case, as shown.

DESCRIPTION

FIG. 1 is a front view of a battery case showing my new design;
FIG. 2 is a rear view thereof;
FIG. 3 is a top plan view thereof;
FIG. 4 is a bottom plan view thereof;
FIG. 5 is a left side view thereof;
FIG. 6 is a right side view thereof;
FIG. 7 is a front perspective view thereof;
FIG. 8 is a cross sectional view thereof taken along with line A—A in FIG. 1; and,
FIG. 9 is a cross sectional view thereof taken along with line B—B in FIG. 3.

1 Claim, 3 Drawing Sheets

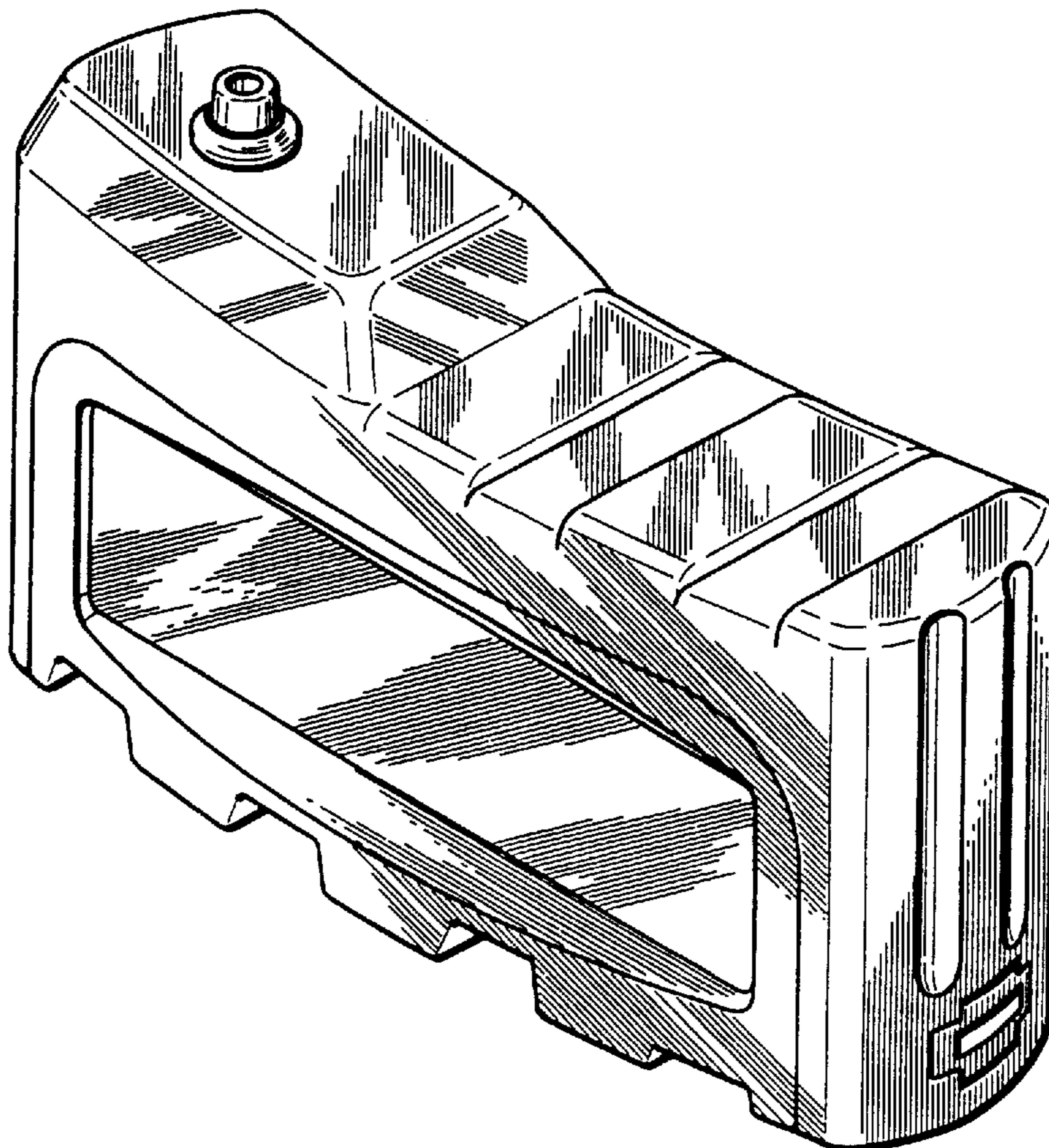


FIG.1

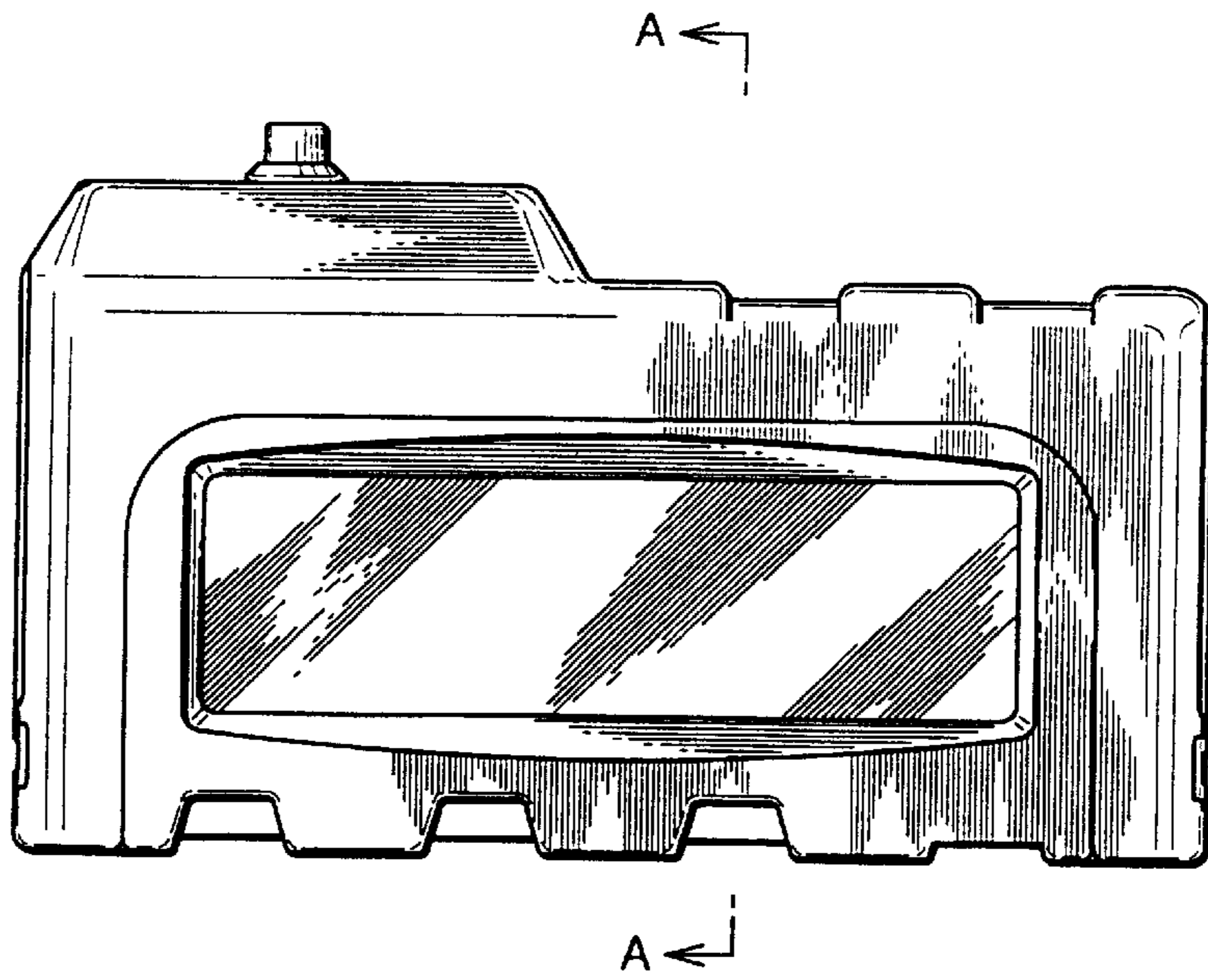


FIG.2

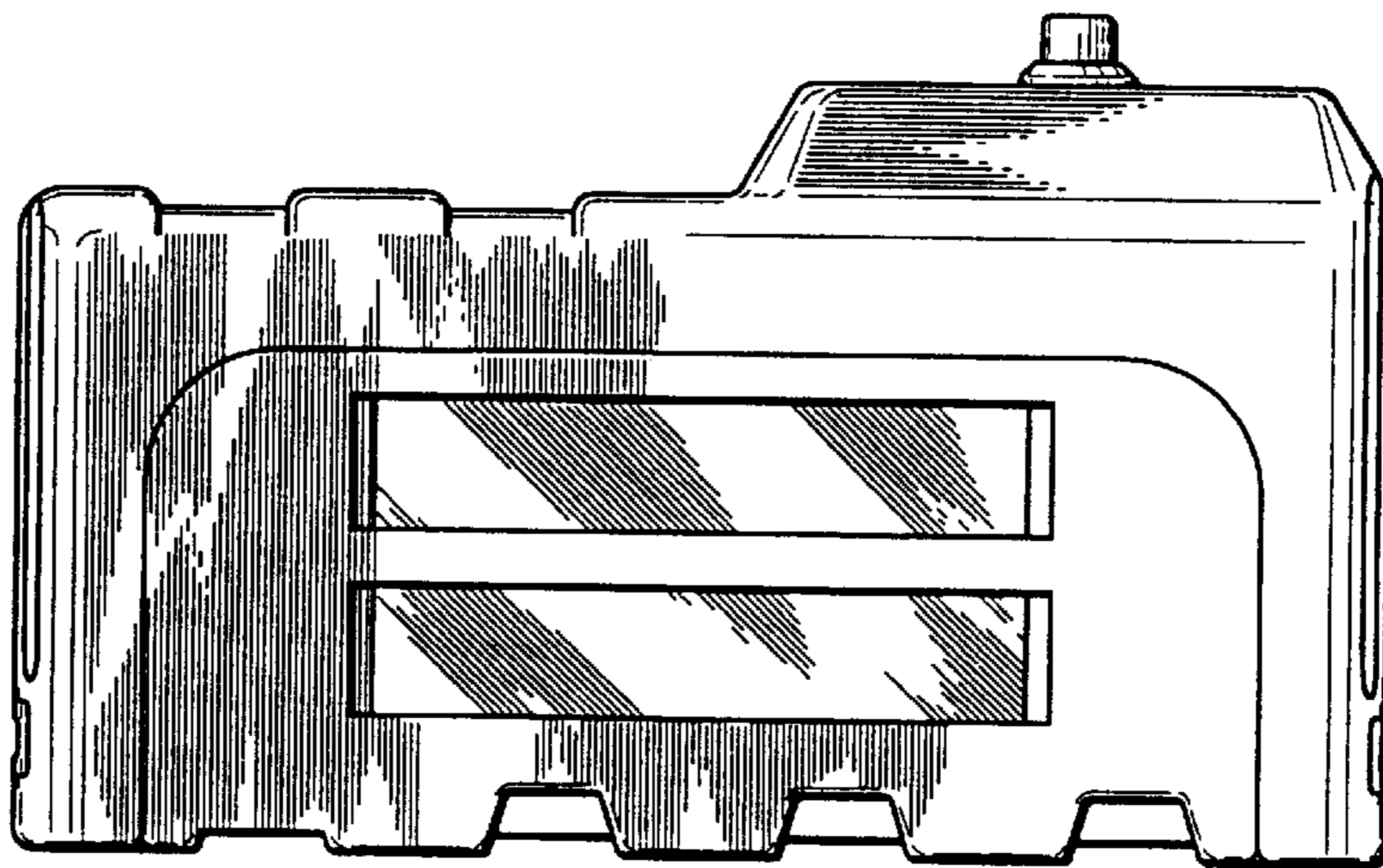


FIG.3

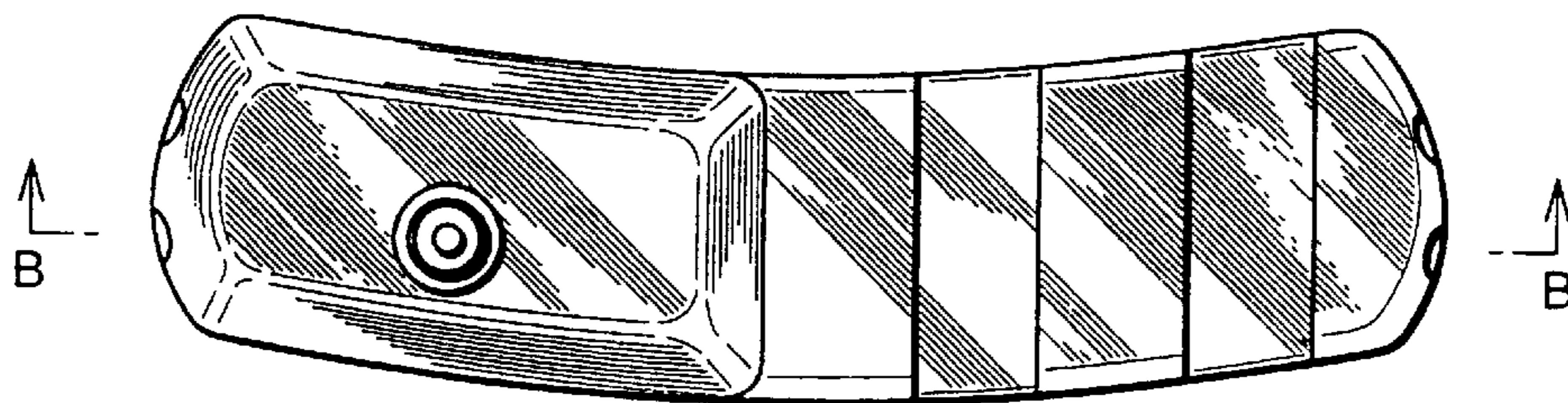


FIG.4

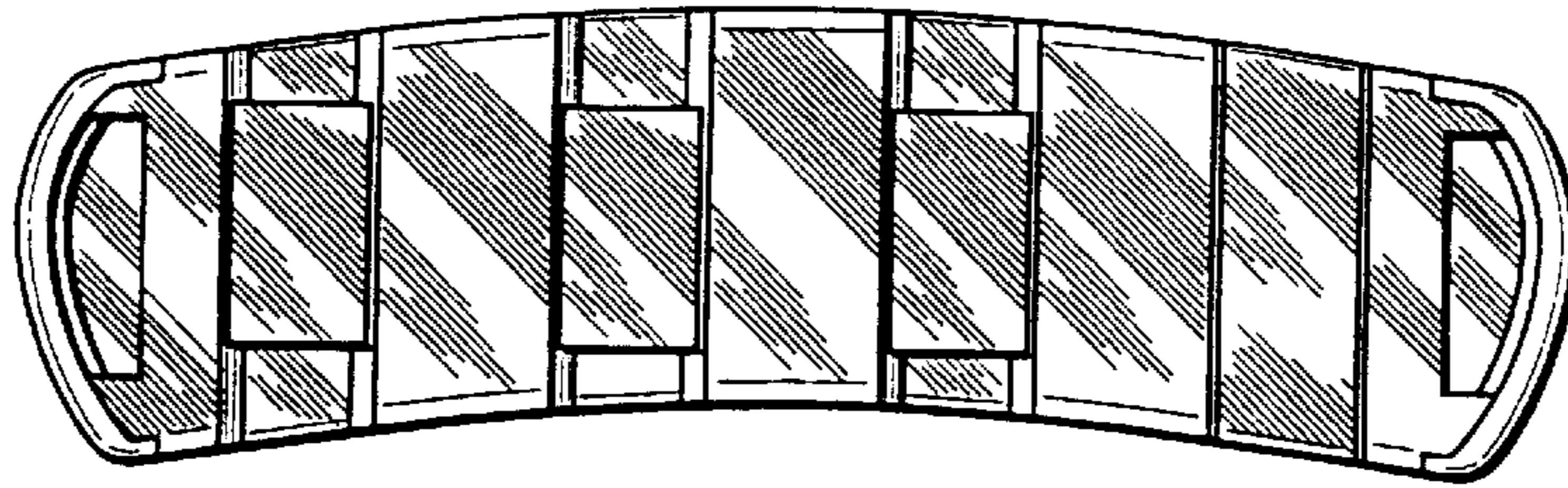


FIG.5

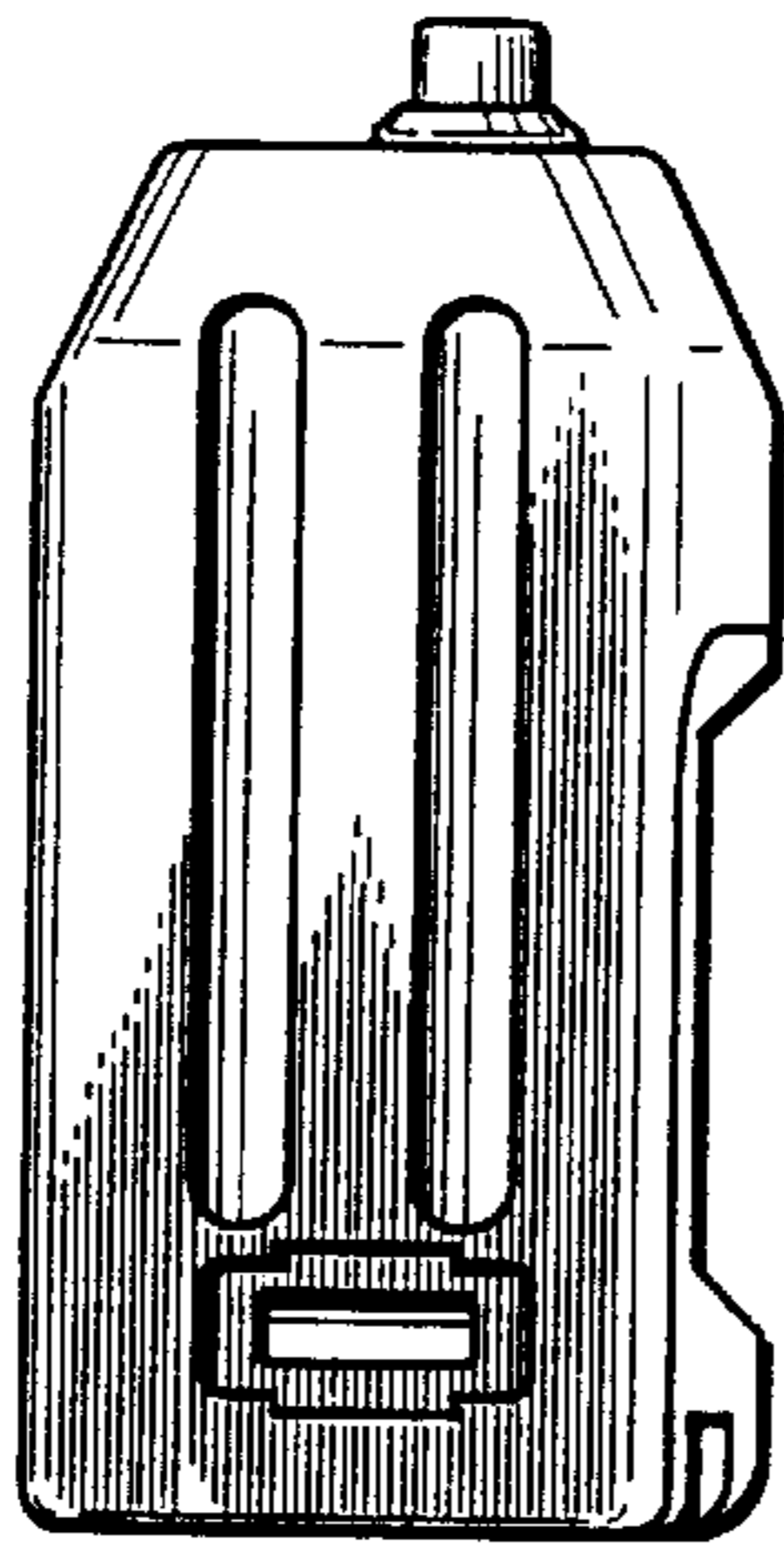


FIG.6

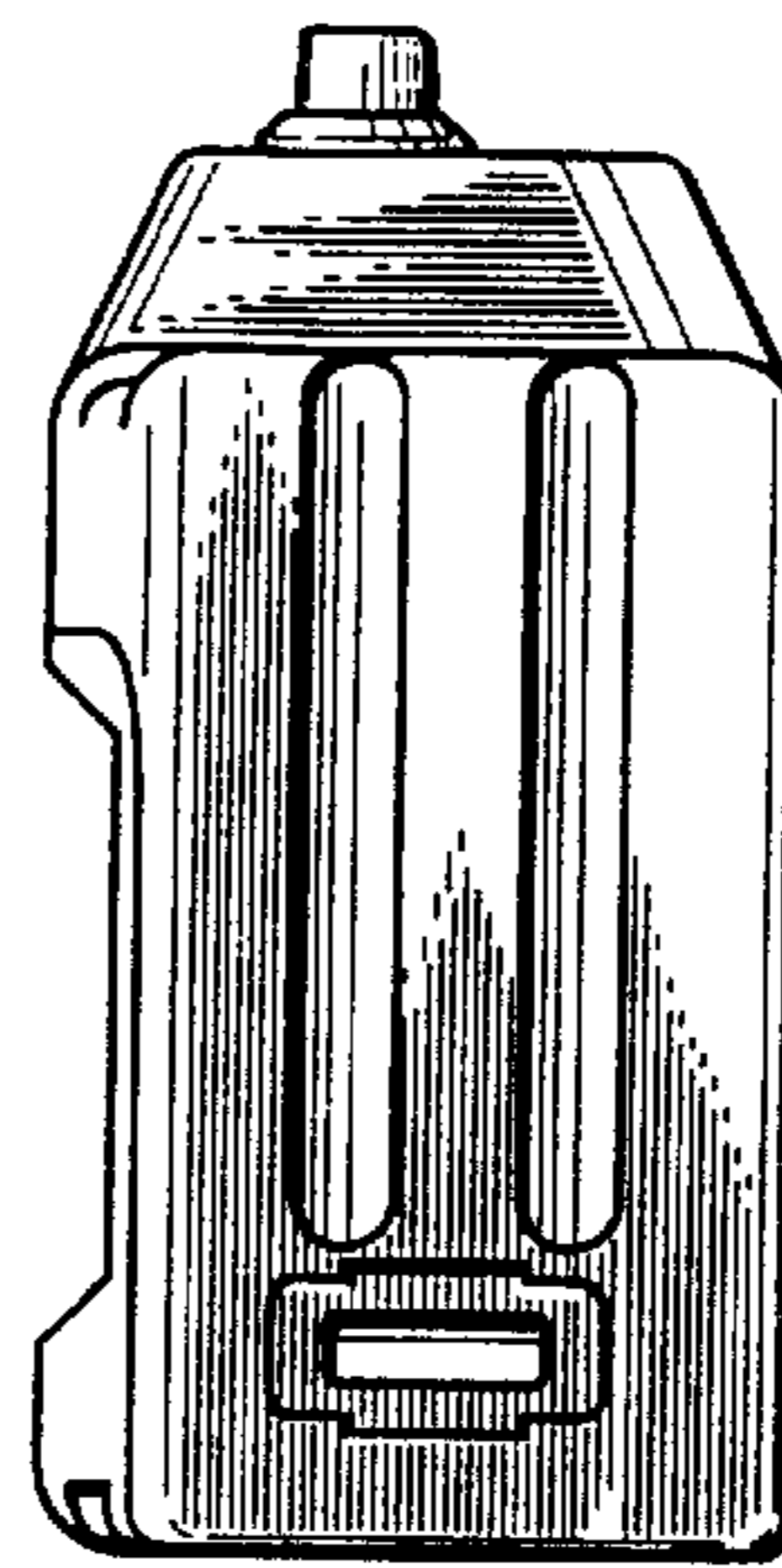


FIG.7

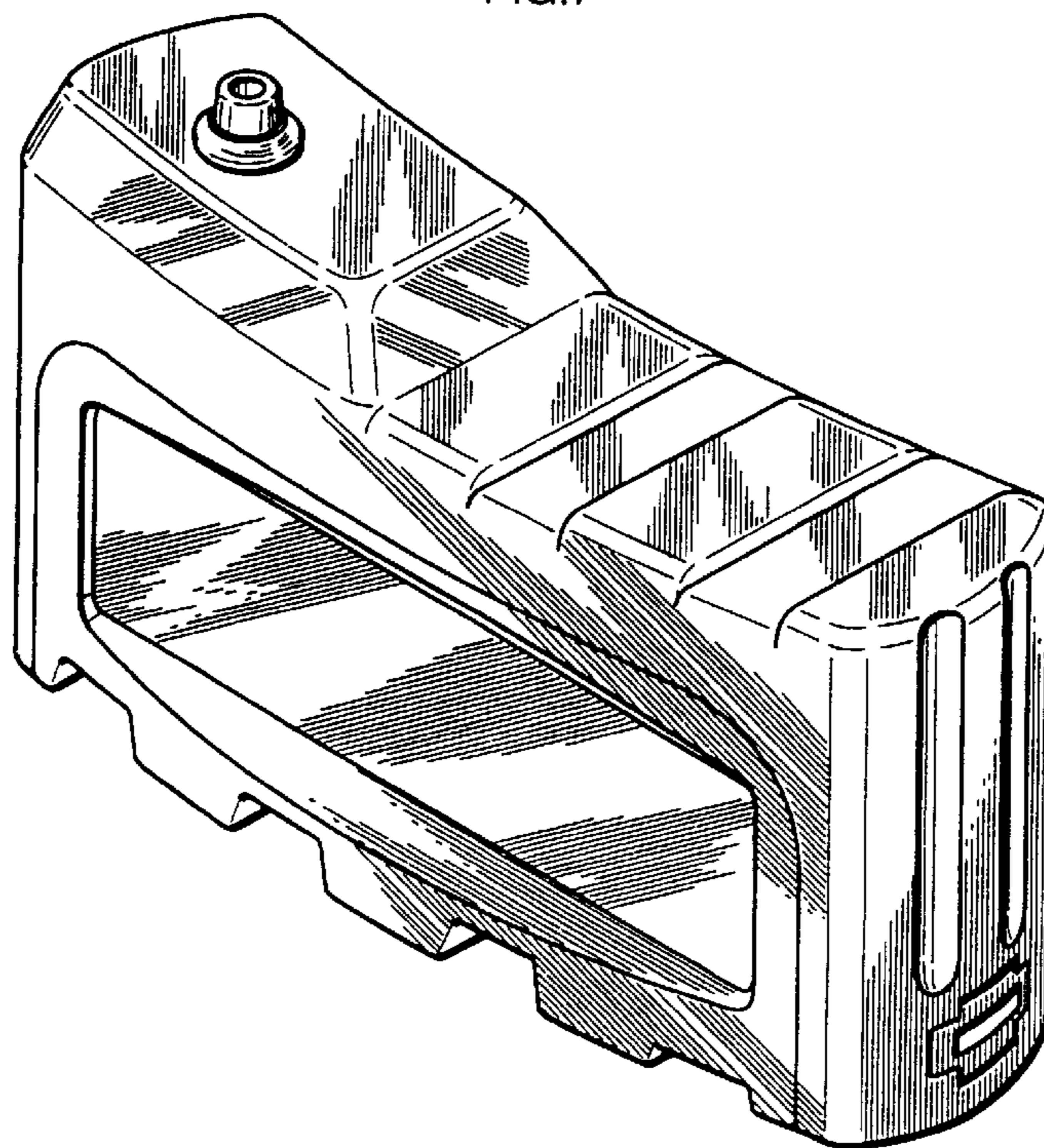


FIG.8

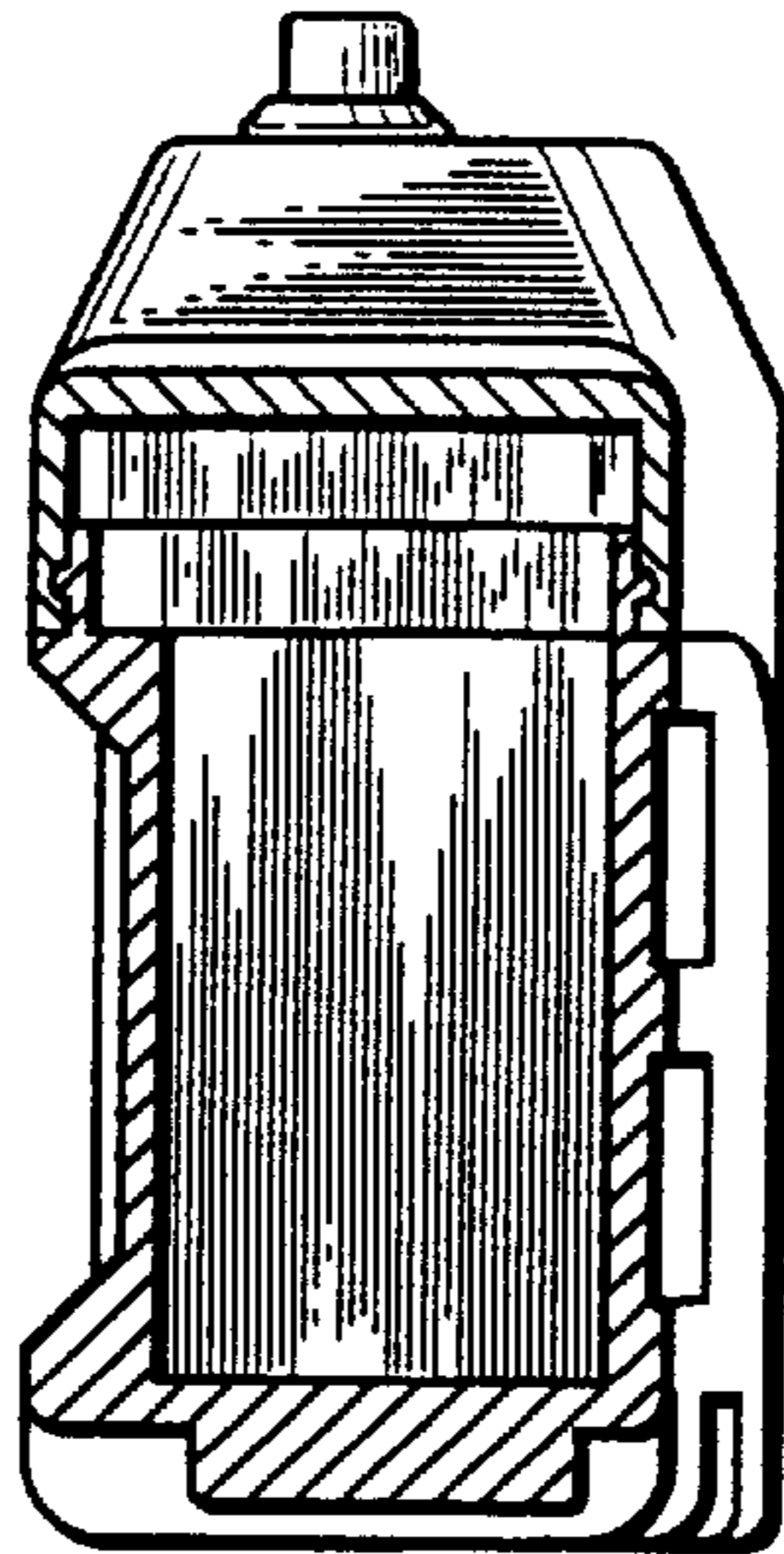
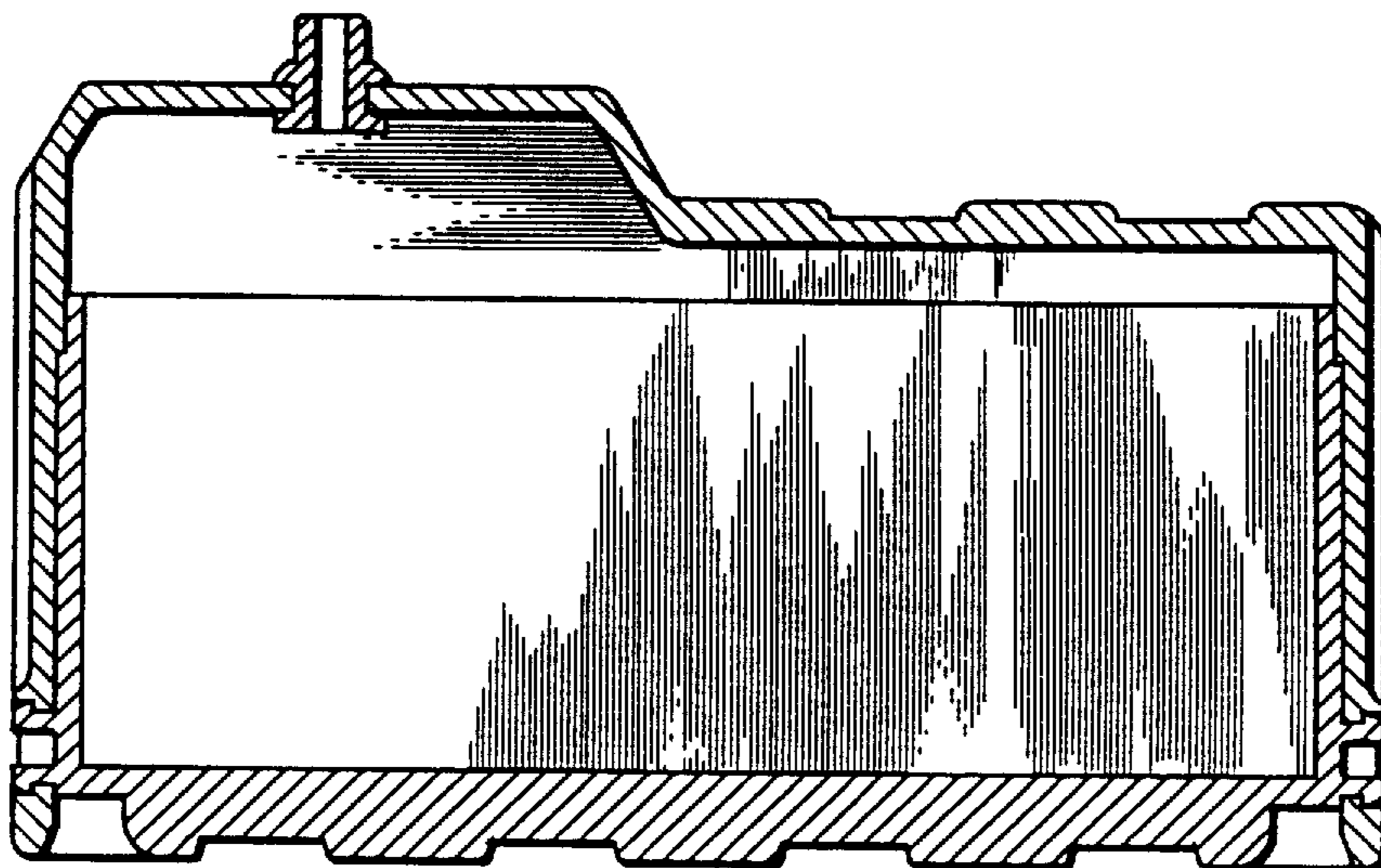


FIG.9



UNITED STATES PATENT AND TRADEMARK OFFICE
CERTIFICATE OF CORRECTION

PATENT NO. : Des. 399,819
DATED : October 20, 1998
INVENTOR(S) : Hiroyuki Iida

It is certified that error appears in the above-identified patent and that said Letters Patent is hereby corrected as shown below:

Title page, item [30], under Foreign Application Priority Data insert --
July 22, 1996 [JP] Japan8-22190 --

Signed and Sealed this
Ninth Day of March, 1999



Q. TODD DICKINSON

Acting Commissioner of Patents and Trademarks

Attest:

Attesting Officer