



US00D399814S

United States Patent [19]

Toro et al.

[11] **Patent Number: Des. 399,814**

[45] **Date of Patent: **Oct. 20, 1998**

[54] **AQUACYCLE**

[76] Inventors: **Andy Toro**, 7234 Plank St., El Cerrito, Calif. 94530; **Harry Howard**, 1705 Old Mill Rd., Encinitas, Calif. 92024

[**] Term: **14 Years**

[21] Appl. No.: **69,528**

[22] Filed: **Apr. 24, 1997**

[51] **LOC (6) Cl.** **12-06**

[52] **U.S. Cl.** **D12/306; D12/300**

[58] **Field of Search** **D12/300-318; 114/61, 270; 440/12, 29, 30, 31, 27, 26**

[56] **References Cited**

U.S. PATENT DOCUMENTS

D. 264,698 6/1982 Tindal D12/306

D. 326,442 5/1992 Shutt D12/306
D. 375,930 11/1996 Howard D12/306
5,547,406 8/1996 White 114/61

Primary Examiner—Kay H. Chin

[57] **CLAIM**

The ornamental design for an aquacycle, as shown and described.

DESCRIPTION

FIG. 1 is a perspective view of an aquacycle showing my new design;
FIG. 2 is a side view;
FIG. 3 is a front view;
FIG. 4 is a rear view;
FIG. 5 is a top view; and,
FIG. 6 is a bottom view.

1 Claim, 3 Drawing Sheets

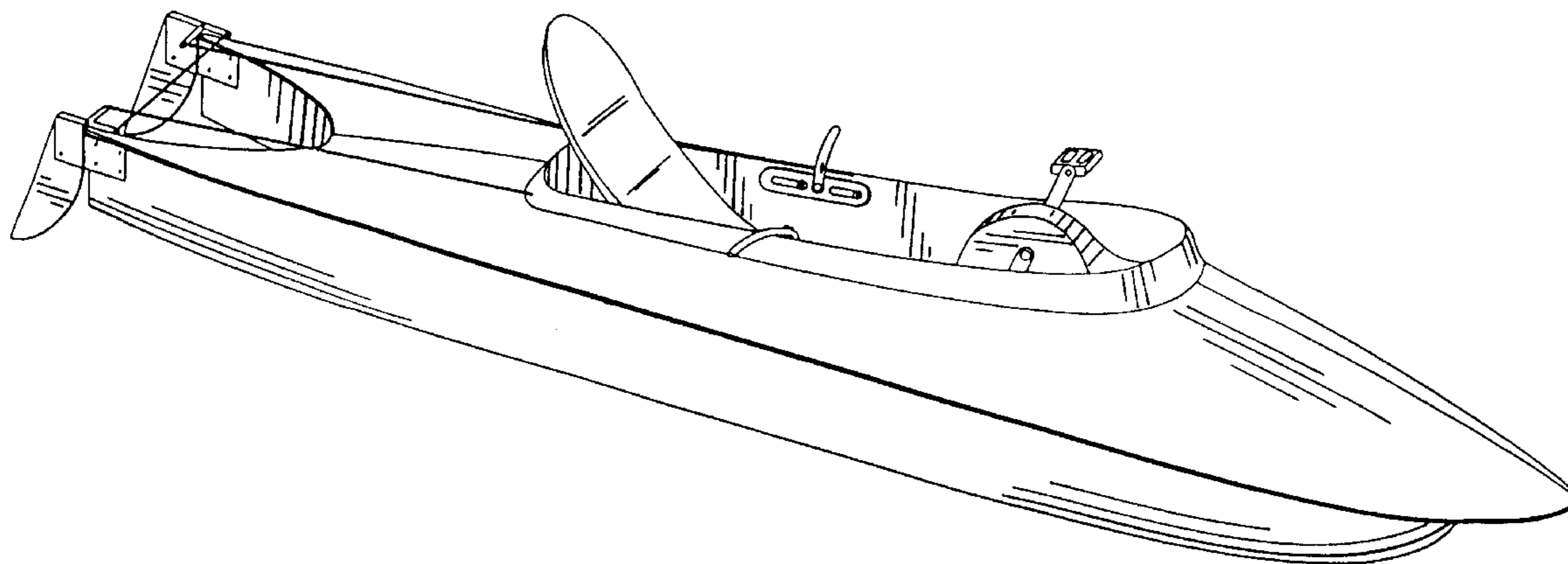


Figure 1

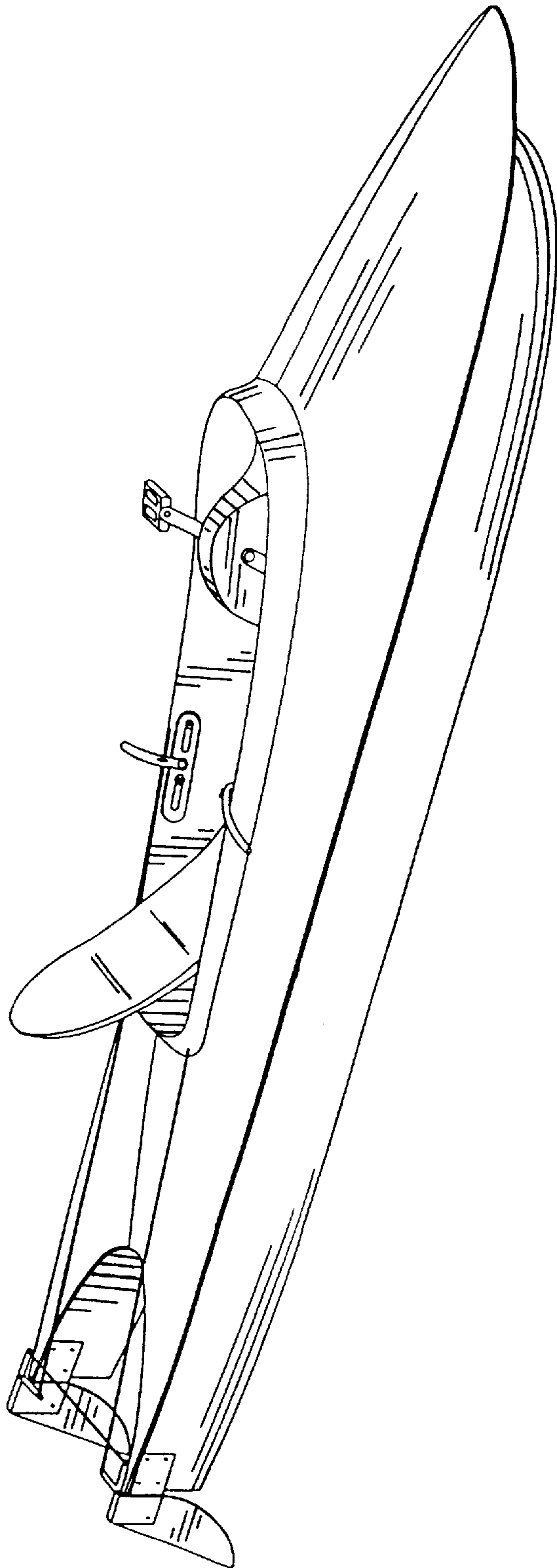


Figure 3

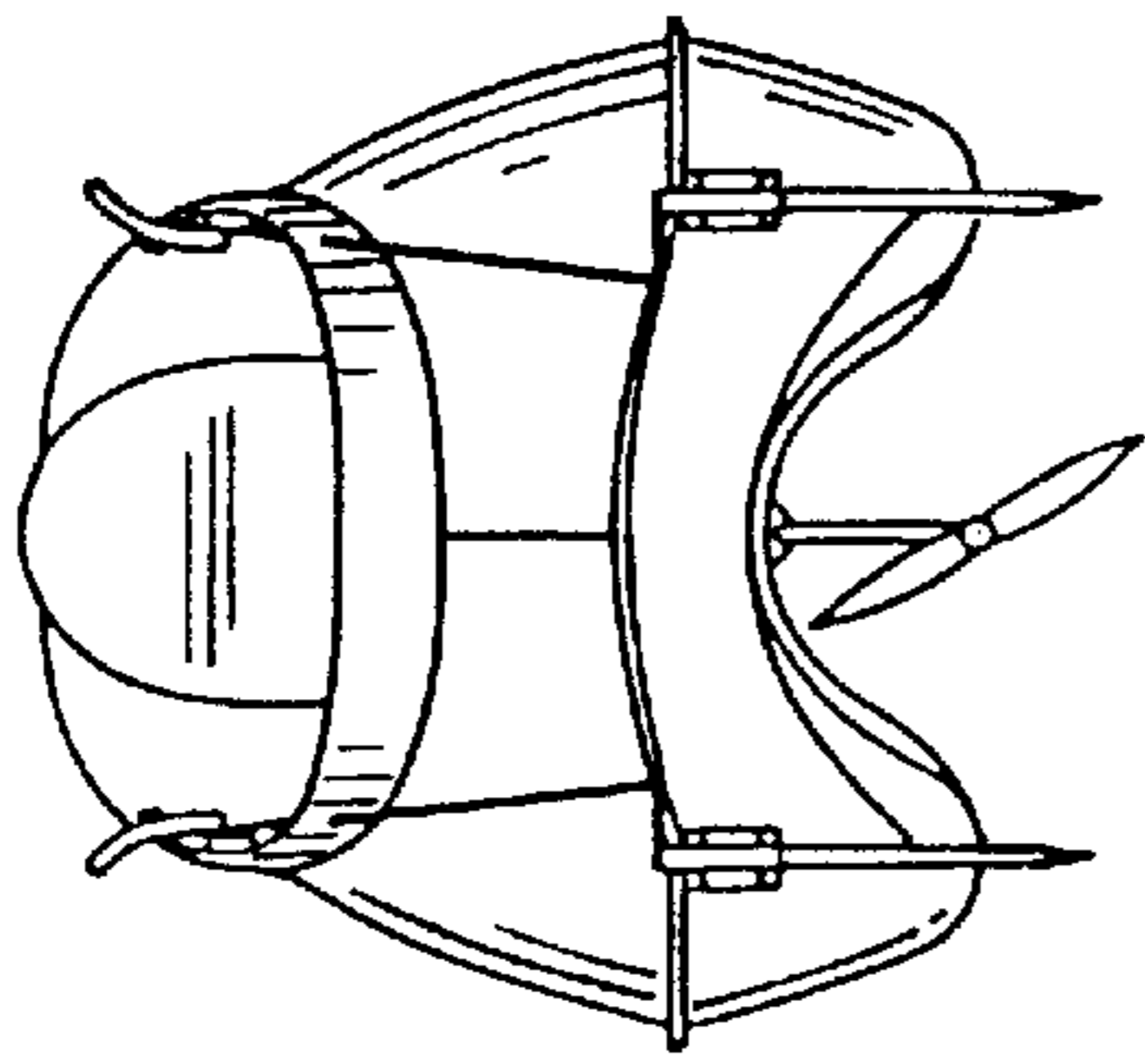


Figure 4

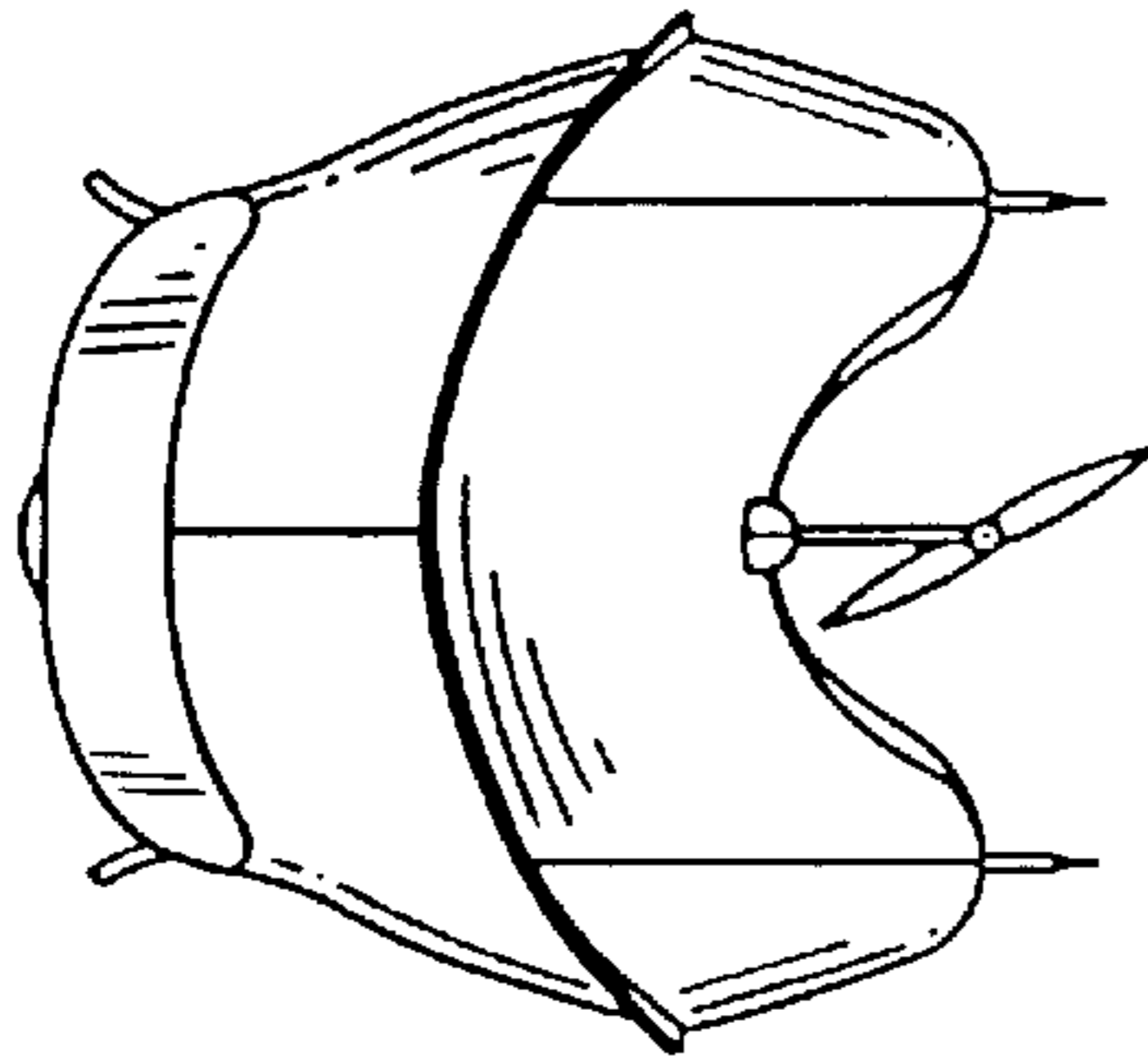


Figure 2

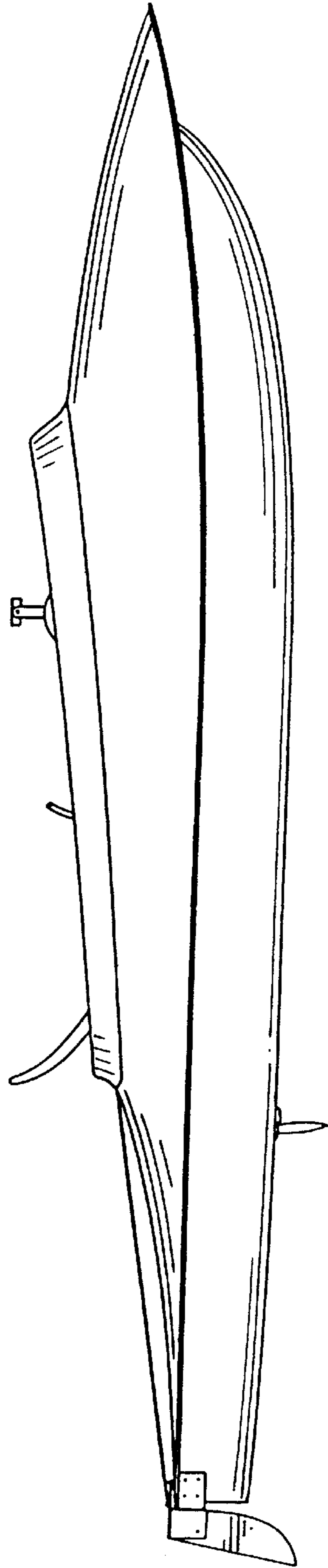


Figure 5

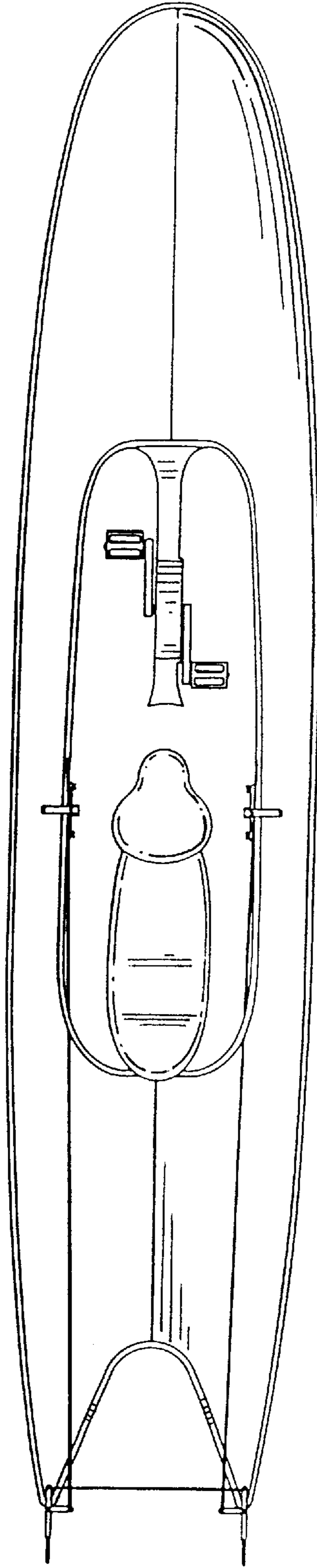


Figure 6

