



US00D399808S

United States Patent [19]

[11] **Patent Number: Des. 399,808**

Vetter

[45] **Date of Patent: **Oct. 20, 1998**

[54] **COMBINED MOTORCYCLE WINDSHIELD AND FLARE PANEL MODULE**

4,830,423 5/1989 Nebu et al. 205/78.1
5,685,035 8/1997 Armstrong 296/78.1

[76] Inventor: **Craig W. Vetter**, P.O. Box 223820, Carmel, Calif. 93922

Primary Examiner—Melody N. Brown
Attorney, Agent, or Firm—Patrick T. King

[**] Term: **14 Years**

[57] **CLAIM**

[21] Appl. No.: **74,061**

The ornamental design for a combined motorcycle windshield and flare panel module, as shown and described.

[22] Filed: **Jul. 17, 1997**

DESCRIPTION

Related U.S. Application Data

FIG. 1 is a front perspective view of a combined motorcycle windshield and flare panel module showing my new design, the windshield and side panels are shown in retractable position;

[63] Continuation-in-part of Ser. No. 070,052, Apr. 25, 1997.

[51] **LOC (6) Cl.** **12-16**

FIG. 2 is a front elevational view thereof;

[52] **U.S. Cl.** **D12/182**

FIG. 3 is a right side elevational view thereof;

[58] **Field of Search** D12/182; 296/78.1, 296/77.1

FIG. 4 is a rear elevational view thereof;

FIG. 5 is a left side elevational view thereof;

FIG. 6 is a top plan view thereof;

FIG. 7 is a bottom plan view thereof;

FIG. 8 is a front perspective view thereof, the windshield and side panels in fully extended position;

FIG. 9 is a front elevational view of FIG. 8;

FIG. 10 is a right side elevational view of FIG. 8;

FIG. 11 is a rear elevational view of FIG. 8; and,

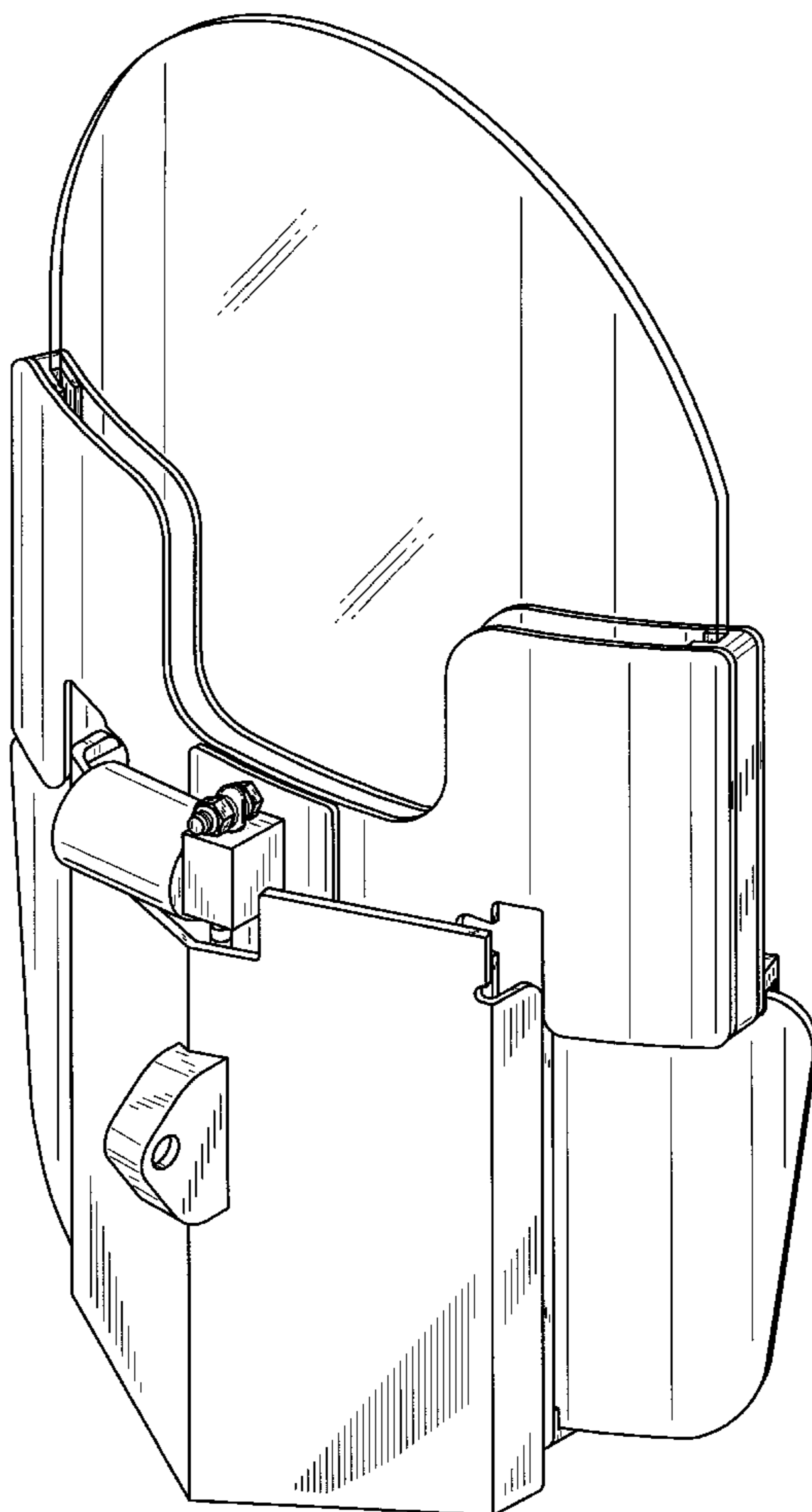
FIG. 12 is a left side elevational view of FIG. 8.

References Cited

U.S. PATENT DOCUMENTS

D. 311,715	10/1990	Yamada et al.	D12/182
D. 314,740	2/1991	Abe et al.	D12/182
4,331,358	5/1982	Johnson et al.	298/78.1
4,686,656	8/1987	Morishima	296/78.1 X
4,696,509	9/1987	Yagasaki et al.	296/78.1 X
4,707,017	11/1987	Minobe et al.	296/78.1

1 Claim, 10 Drawing Sheets



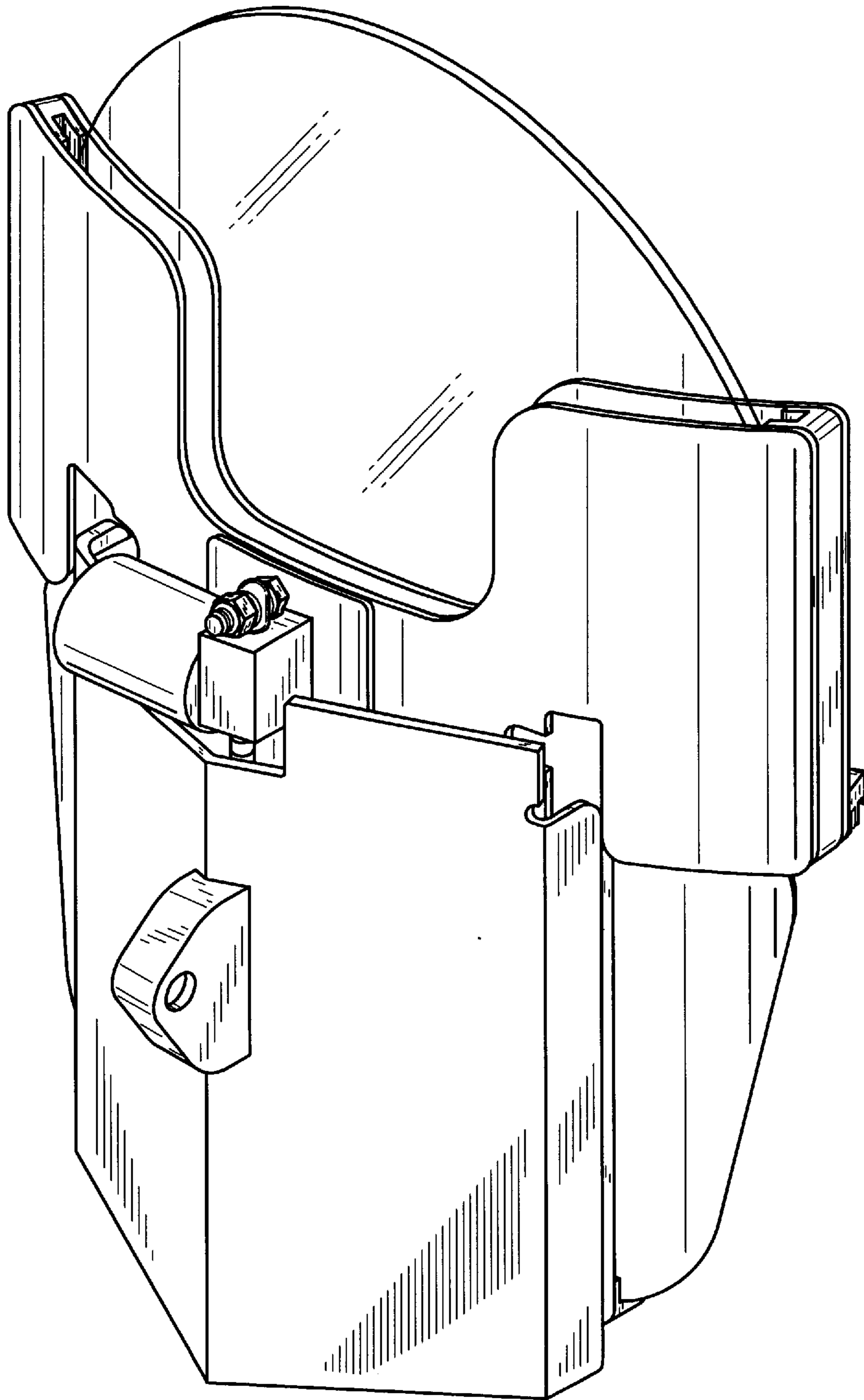


FIG. 1

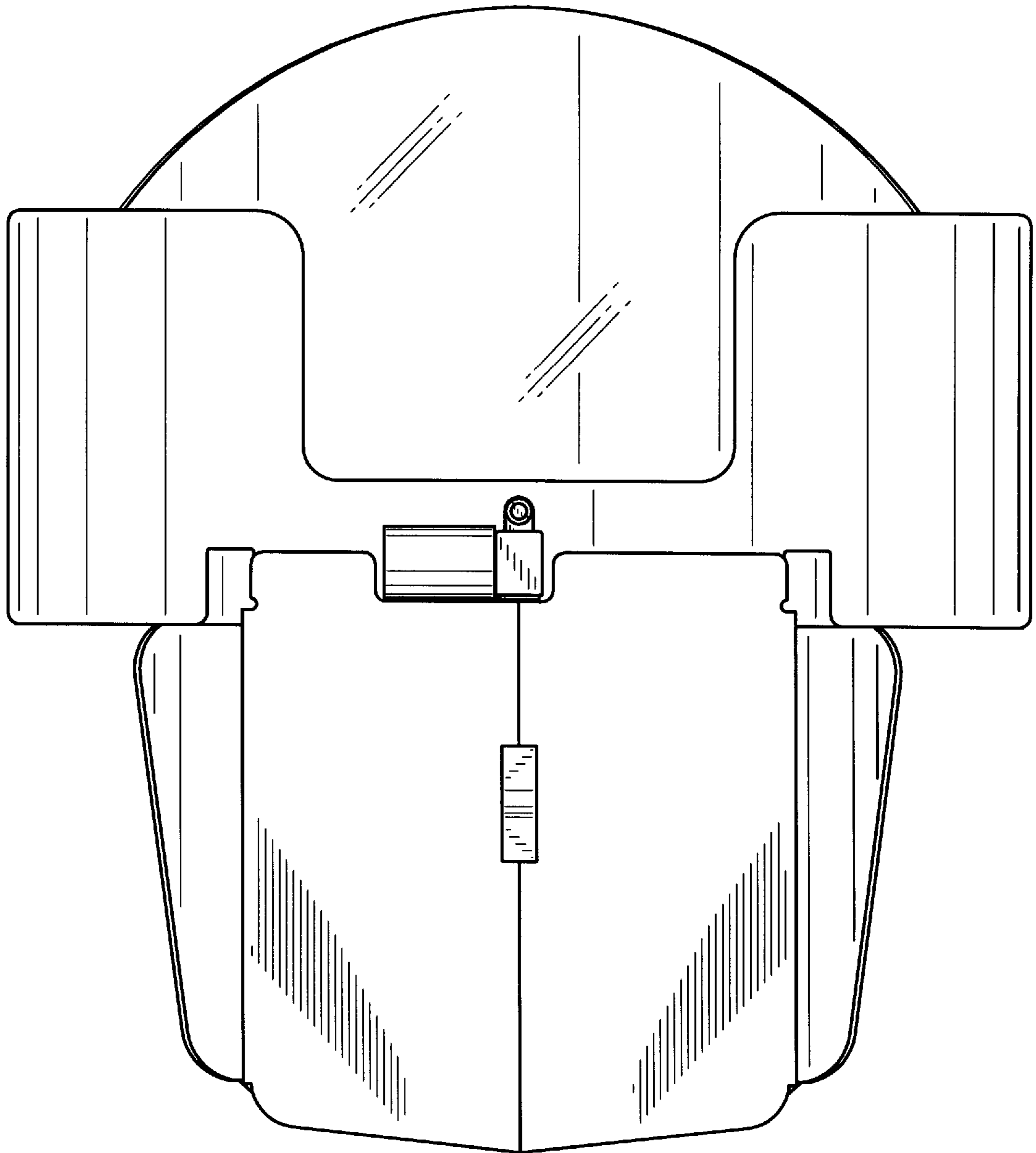


FIG. 2

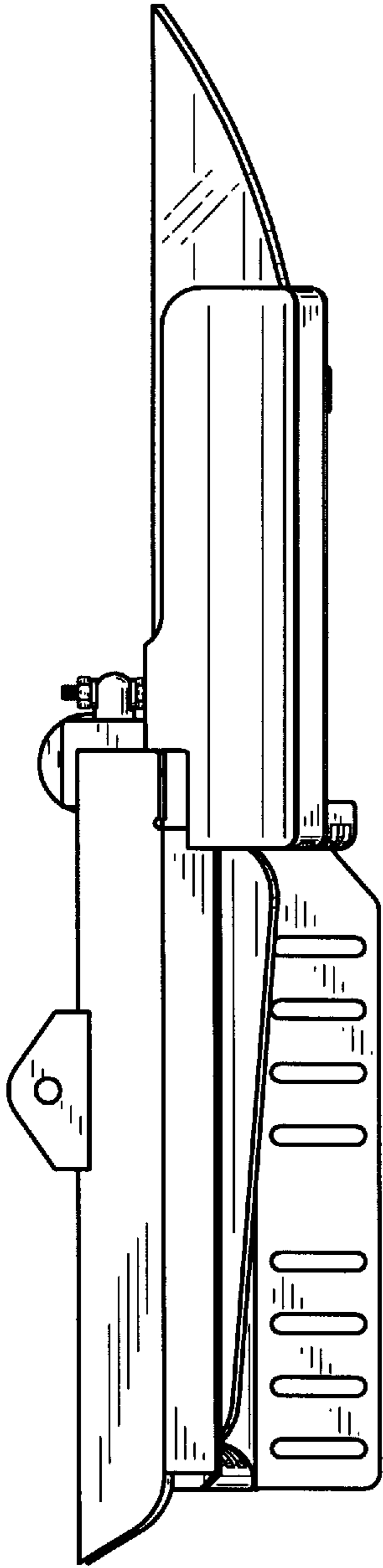


FIG. 3

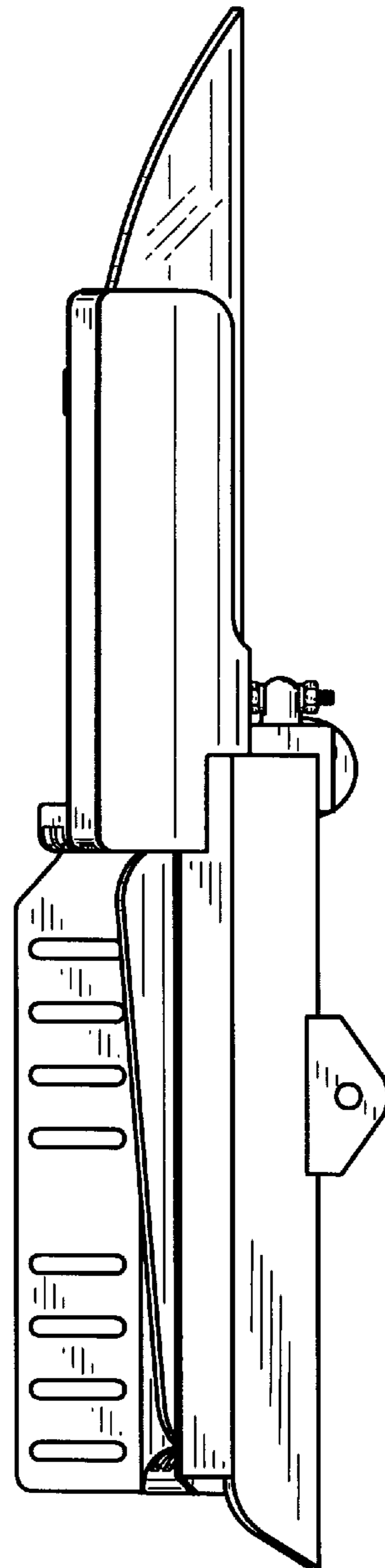


FIG. 5

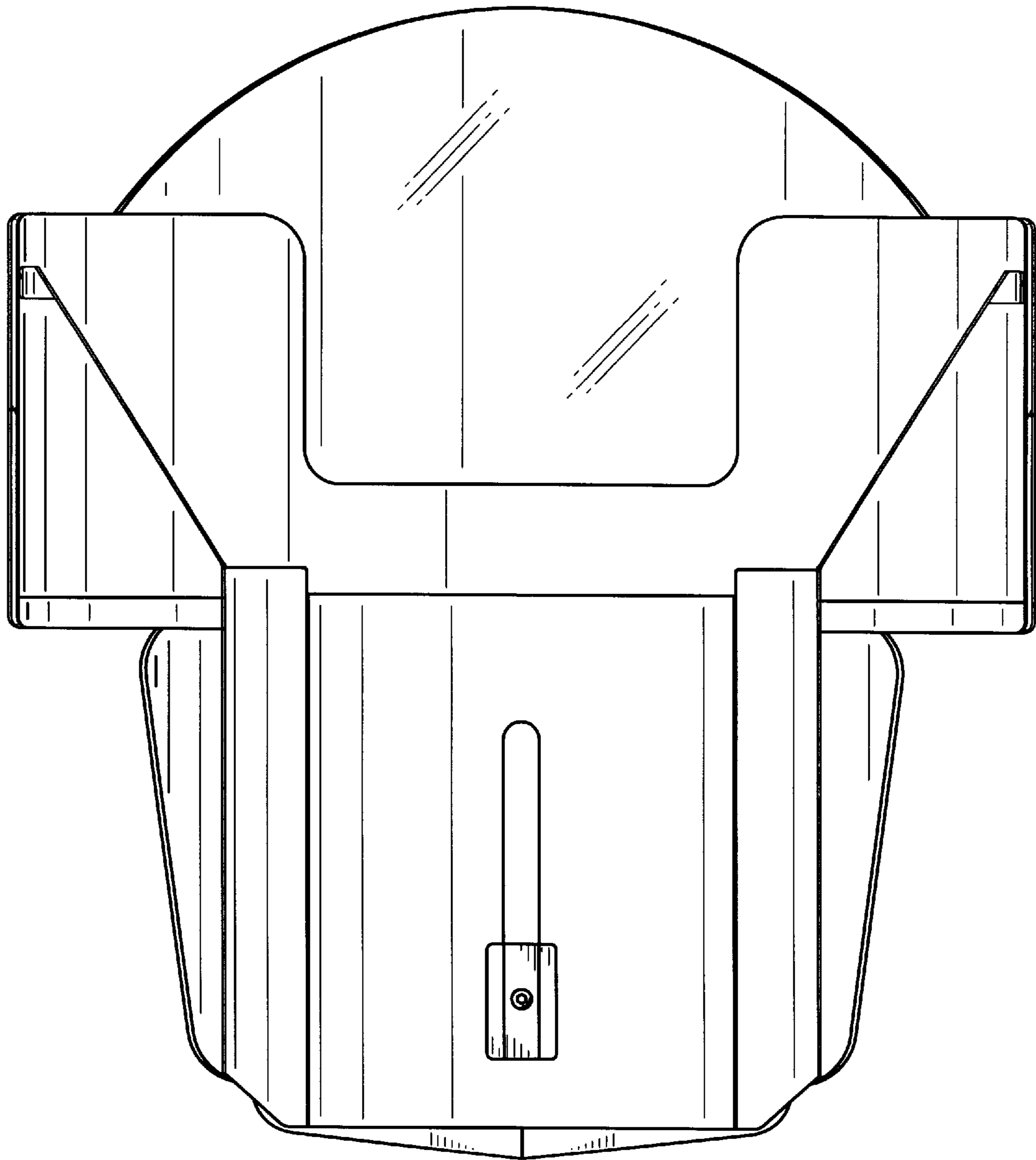


FIG. 4

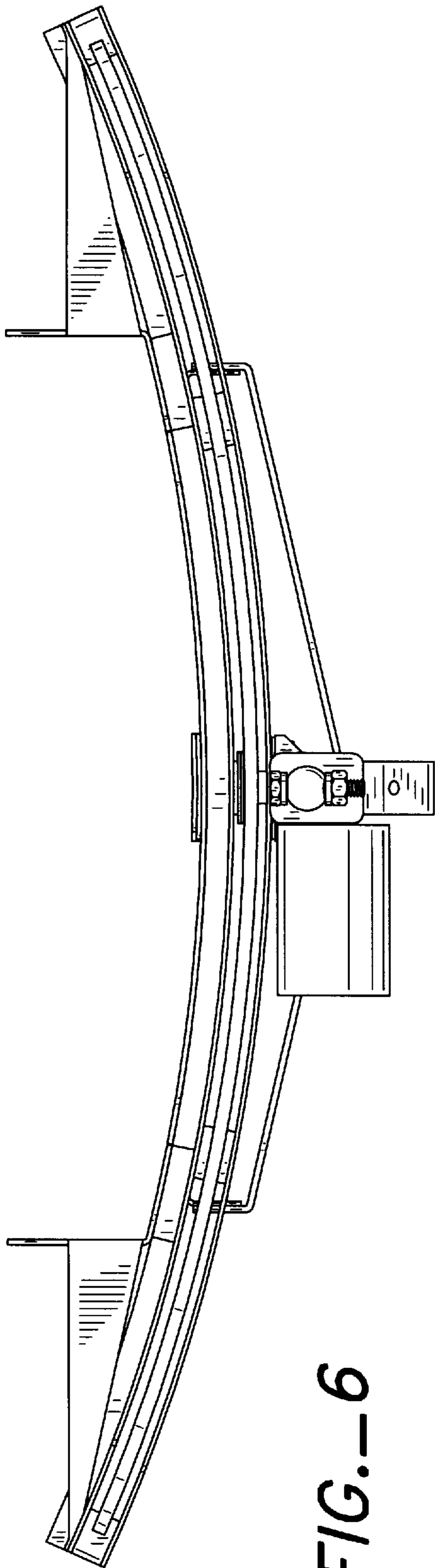


FIG.—6

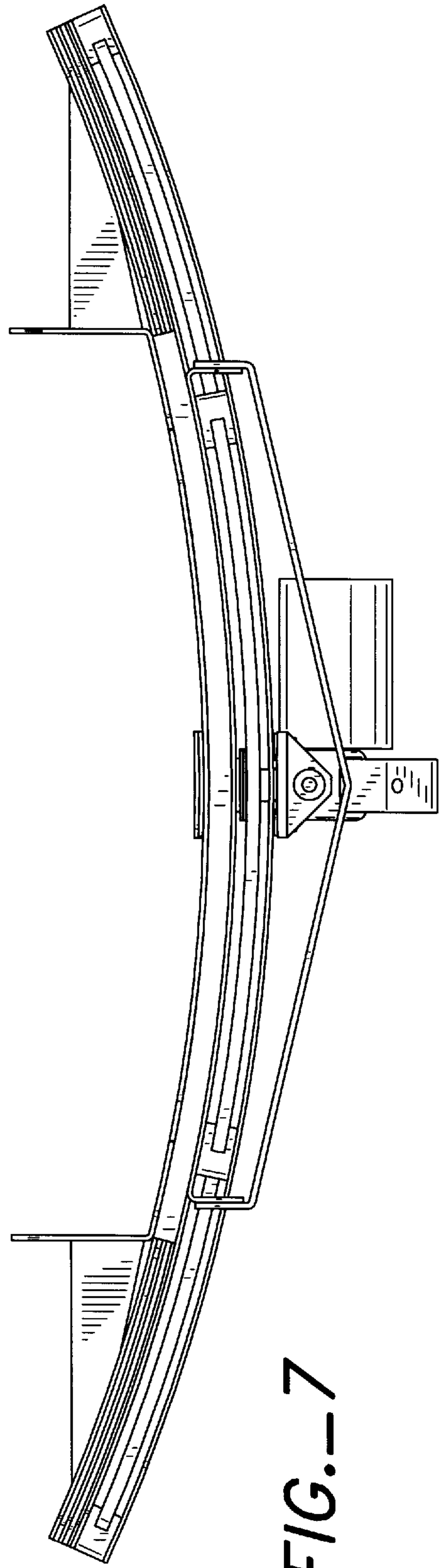


FIG.—7

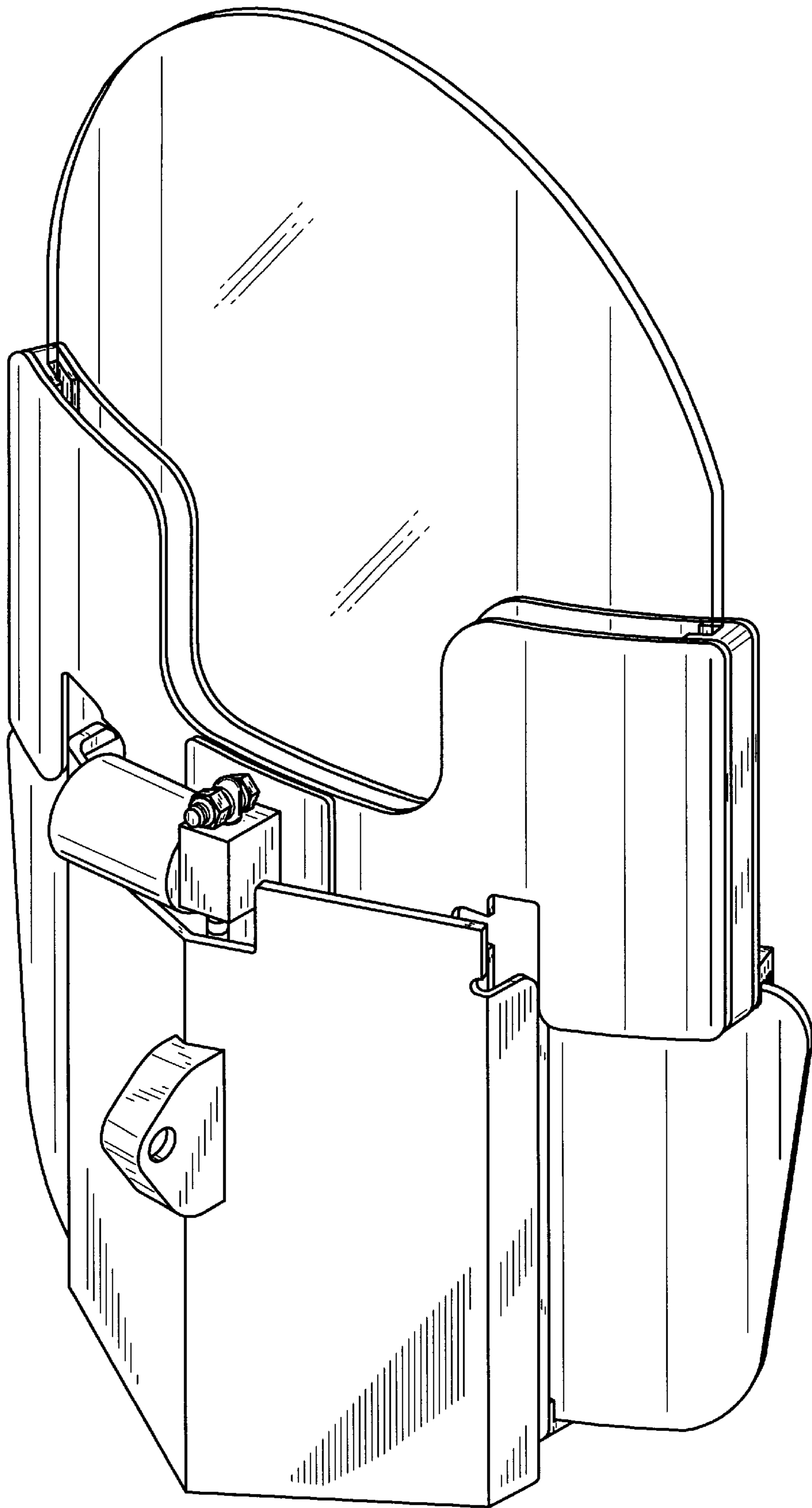


FIG. 8

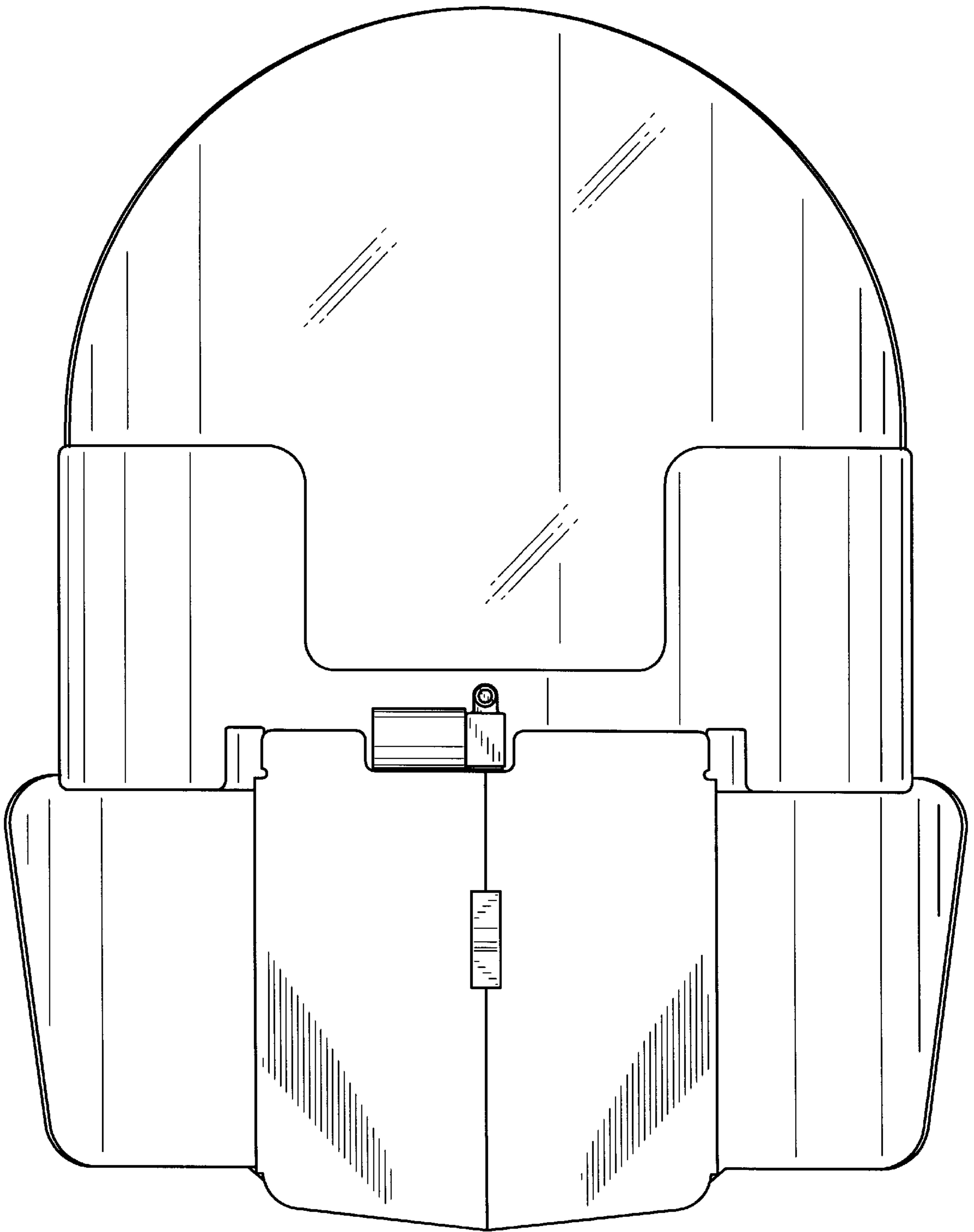


FIG._9

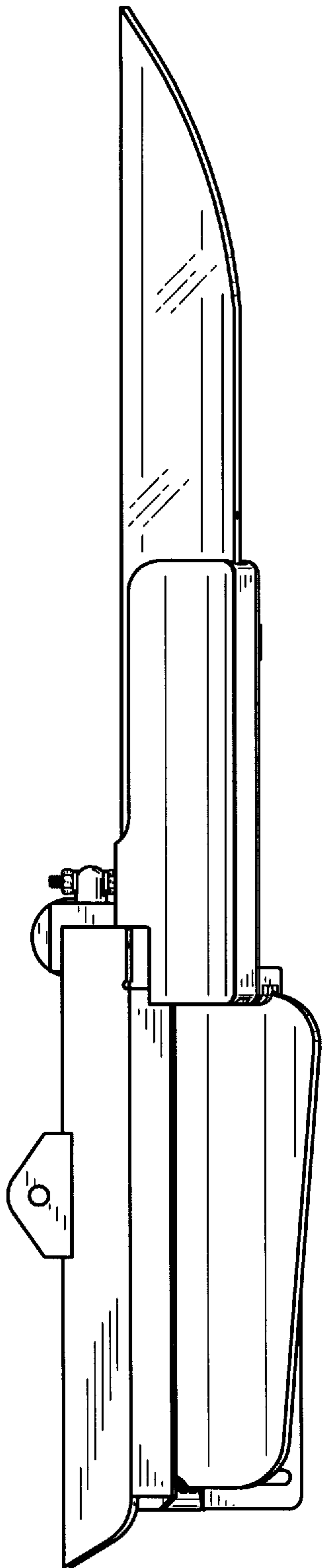


FIG. 10

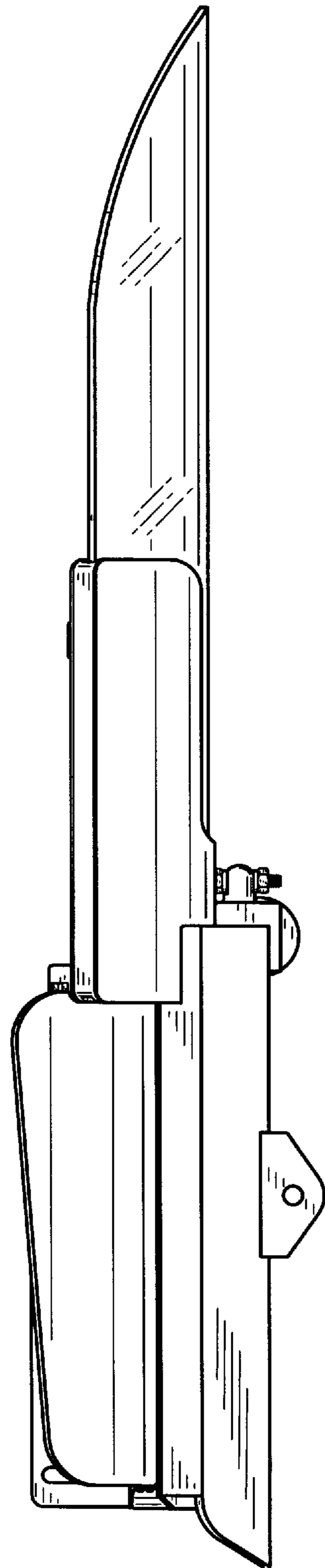


FIG. 12

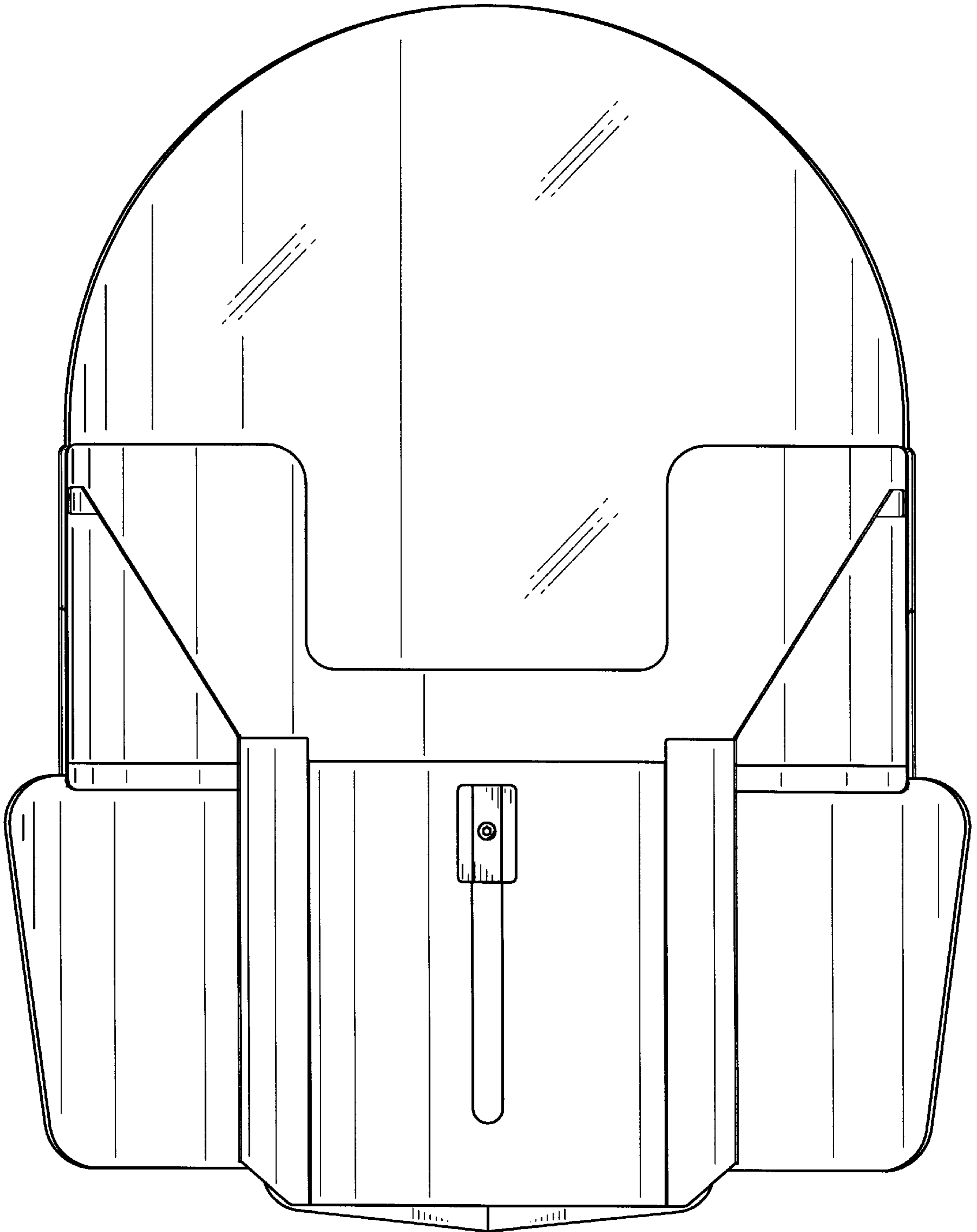


FIG. 11

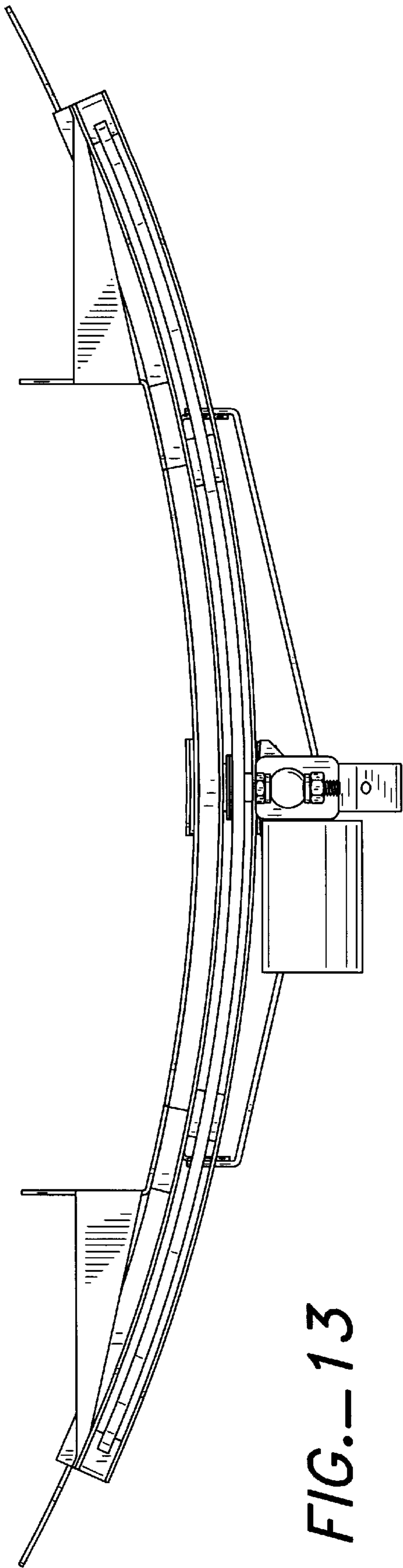


FIG.—13

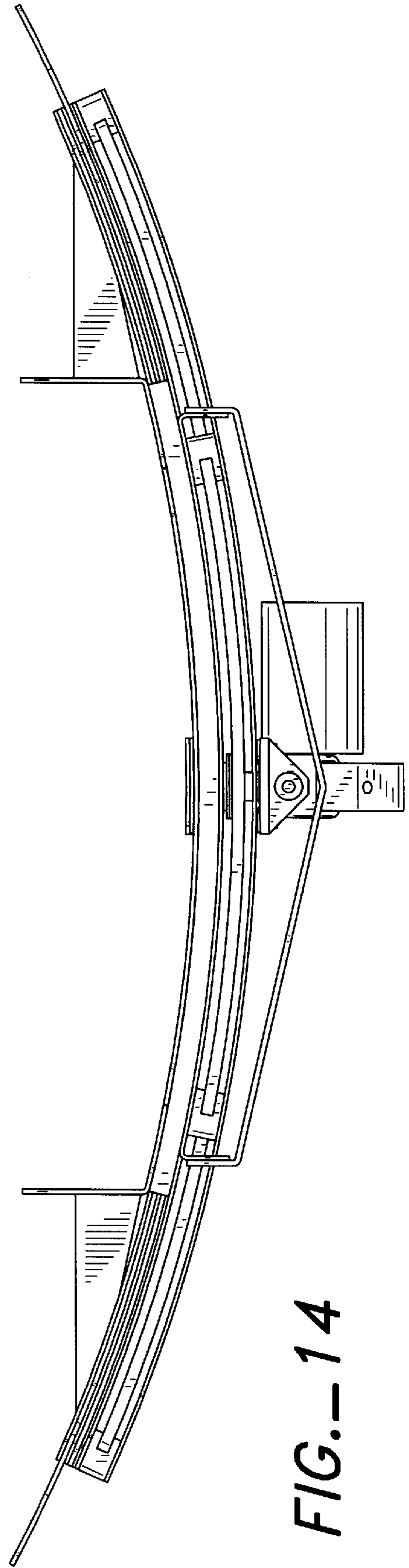


FIG.—14

UNITED STATES PATENT AND TRADEMARK OFFICE
CERTIFICATE OF CORRECTION

PATENT NO. : Des. 399,808

DATED : October 20, 1998

INVENTOR(S) : Craig W. Vetter

It is certified that error appears in the above-identified patent and that said Letters Patent is hereby corrected as shown below:

Preceding the Claim, insert:

--Fig. 13 is a top plan view of Fig. 8; and

Fig 14 is a bottom plan view of Fig. 8.--

Signed and Sealed this
Twenty-fifth Day of May, 1999

Attest:



Q. TODD DICKINSON

Attesting Officer

Acting Commissioner of Patents and Trademarks