



US00D399805S

United States Patent [19]

Donalies

[11] Patent Number: **Des. 399,805**

[45] Date of Patent: ****Oct. 20, 1998**

[54] **RECEIVER HITCH BUMPER STICKER
HOLDER ASSEMBLY**

[76] Inventor: **Richard W. Donalies**, 1545 Newcastle
La., Hoffman Estates, Ill. 60194

[**] Term: **14 Years**

[21] Appl. No.: **73,786**

[22] Filed: **Jul. 17, 1997**

[51] **LOC (6) Cl.** **12-16**

[52] **U.S. Cl.** **D12/162**

[58] **Field of Search** D12/162, 400,
D12/193; 40/591, 209, 643; 224/521, 522,
524, 527; 280/503, 507, 511, 727, 769;
428/31

[56] **References Cited**

U.S. PATENT DOCUMENTS

D. 312,066	11/1990	Fabbrini	D12/193
D. 367,459	2/1996	Spencer	D12/193
D. 368,059	3/1996	Barth	D12/162
2,494,179	1/1950	King	40/591
2,624,966	1/1953	Baumgartner	40/209
2,696,058	12/1954	Beyer	40/209
3,521,391	7/1970	Murai	40/591
3,826,026	7/1974	Bevan	40/591
4,736,539	4/1988	Dickinson	40/591

5,056,698	10/1991	Kozakevich	224/522
5,404,664	4/1995	Brooks et al.	40/209
5,488,790	2/1996	Blauer	40/209
5,497,572	3/1996	Hoffman	40/591
5,533,287	7/1996	Cole	40/591
5,570,826	11/1996	Garbes et al.	224/524
5,603,178	2/1997	Morrison	40/591
5,623,776	4/1997	Lucier	40/209

Primary Examiner—Robert M. Spear
Attorney, Agent, or Firm—Arnold, White & Durkee

[57] **CLAIM**

The ornamental design for a receiver hitch bumper sticker holder assembly, as shown and described.

DESCRIPTION

FIG. 1 is a front perspective view of a receiver hitch bumper sticker holder assembly showing my design; FIG. 2 is a rear perspective view thereof; FIG. 3 is a front view thereof; FIG. 4 is a top view thereof; FIG. 5 is a right side view thereof; FIG. 6 is a left side view thereof; FIG. 7 is a rear view thereof; and, FIG. 8 is a bottom view thereof.

The broken line showing of a bumper sticker is for illustrative purposes only and forms no part of the claimed design.

1 Claim, 3 Drawing Sheets

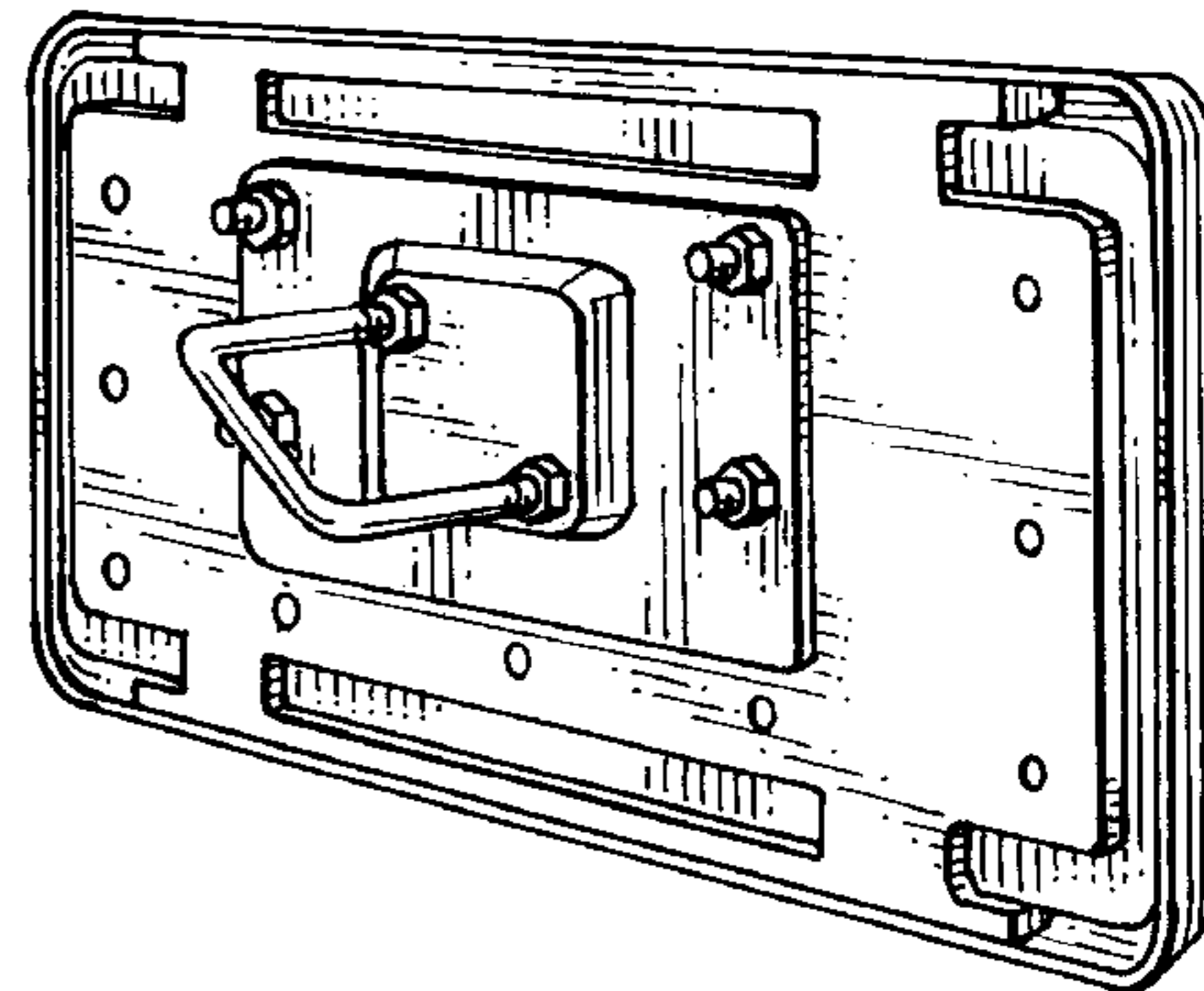
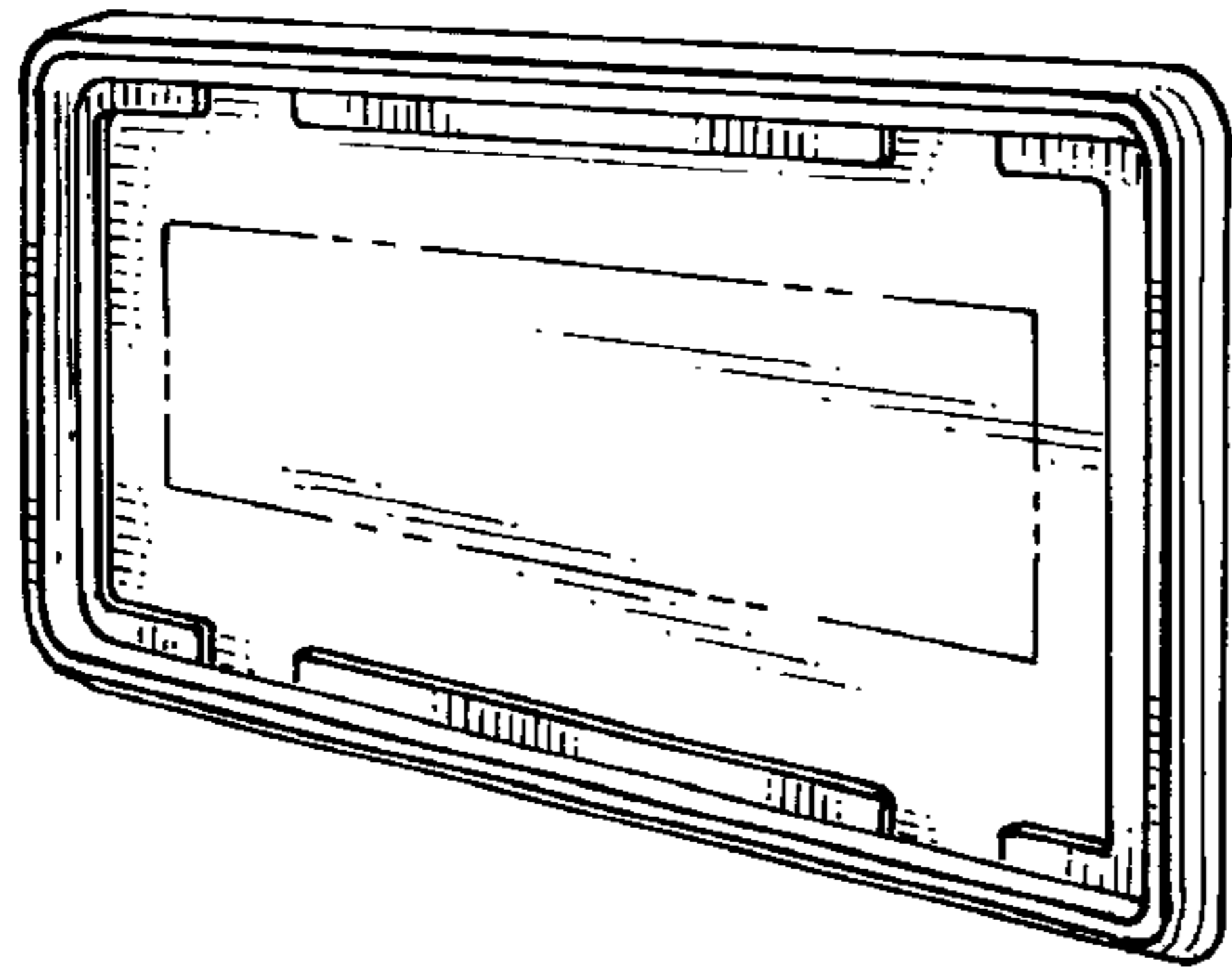


FIG. 1

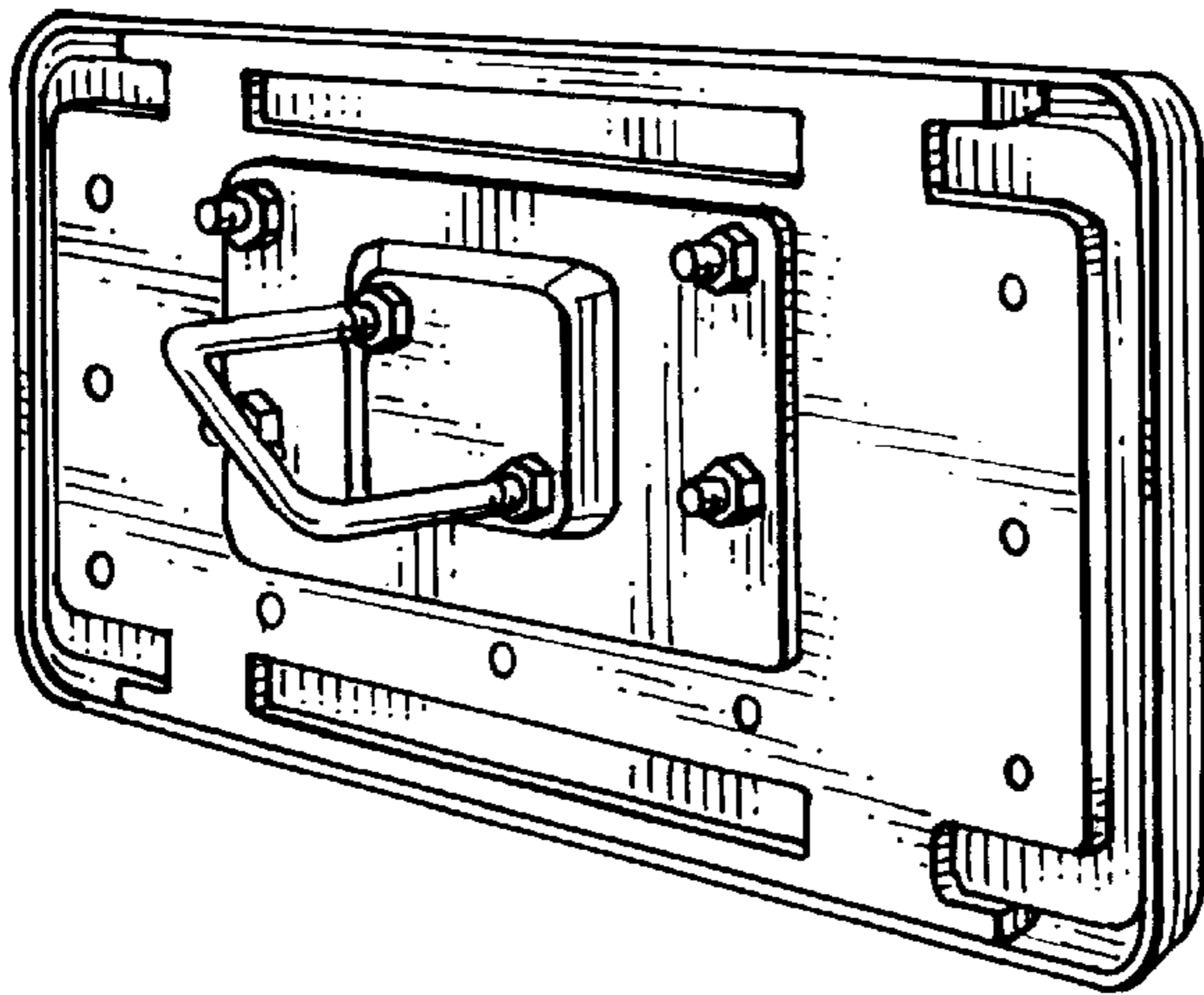
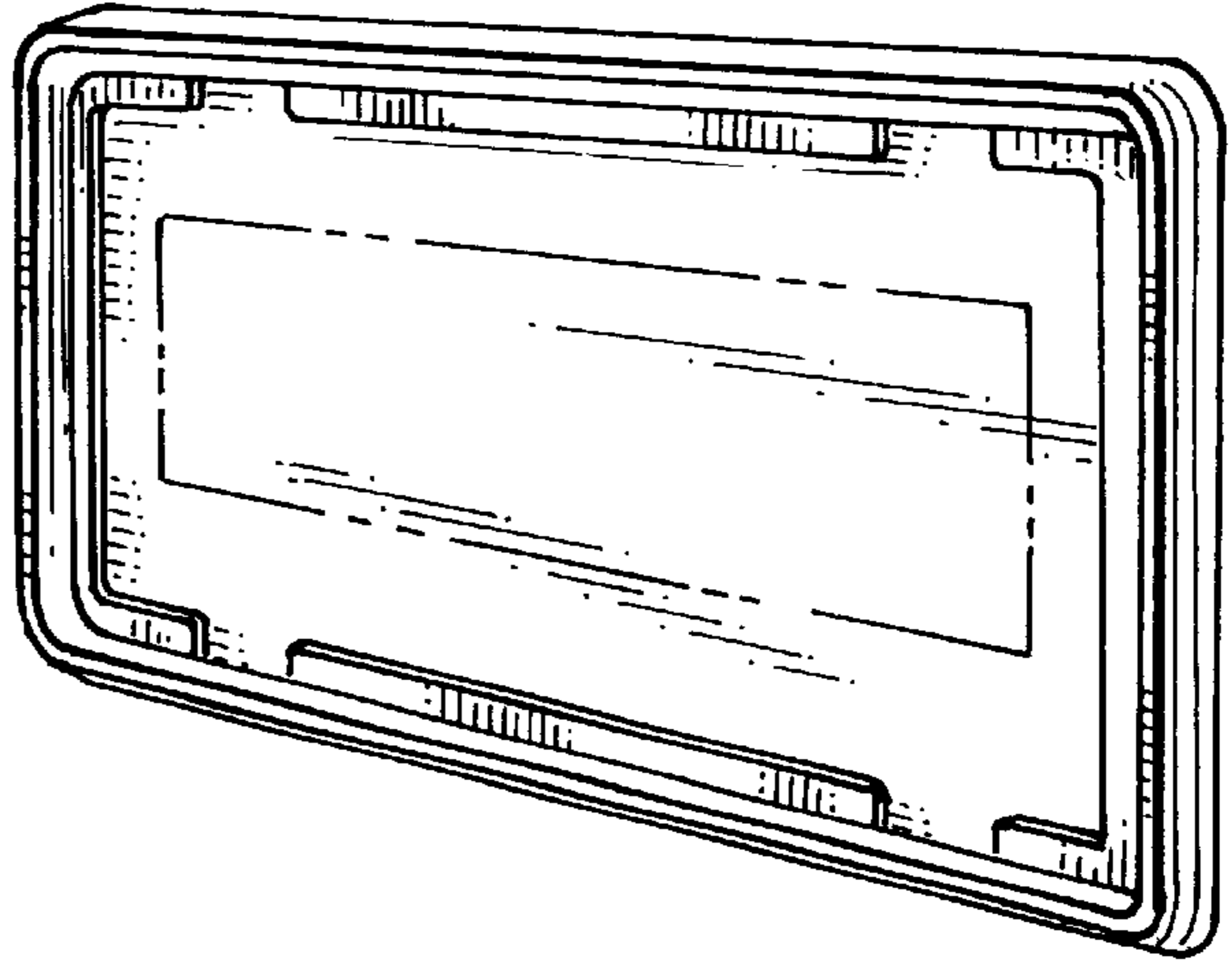


FIG. 2

FIG. 3

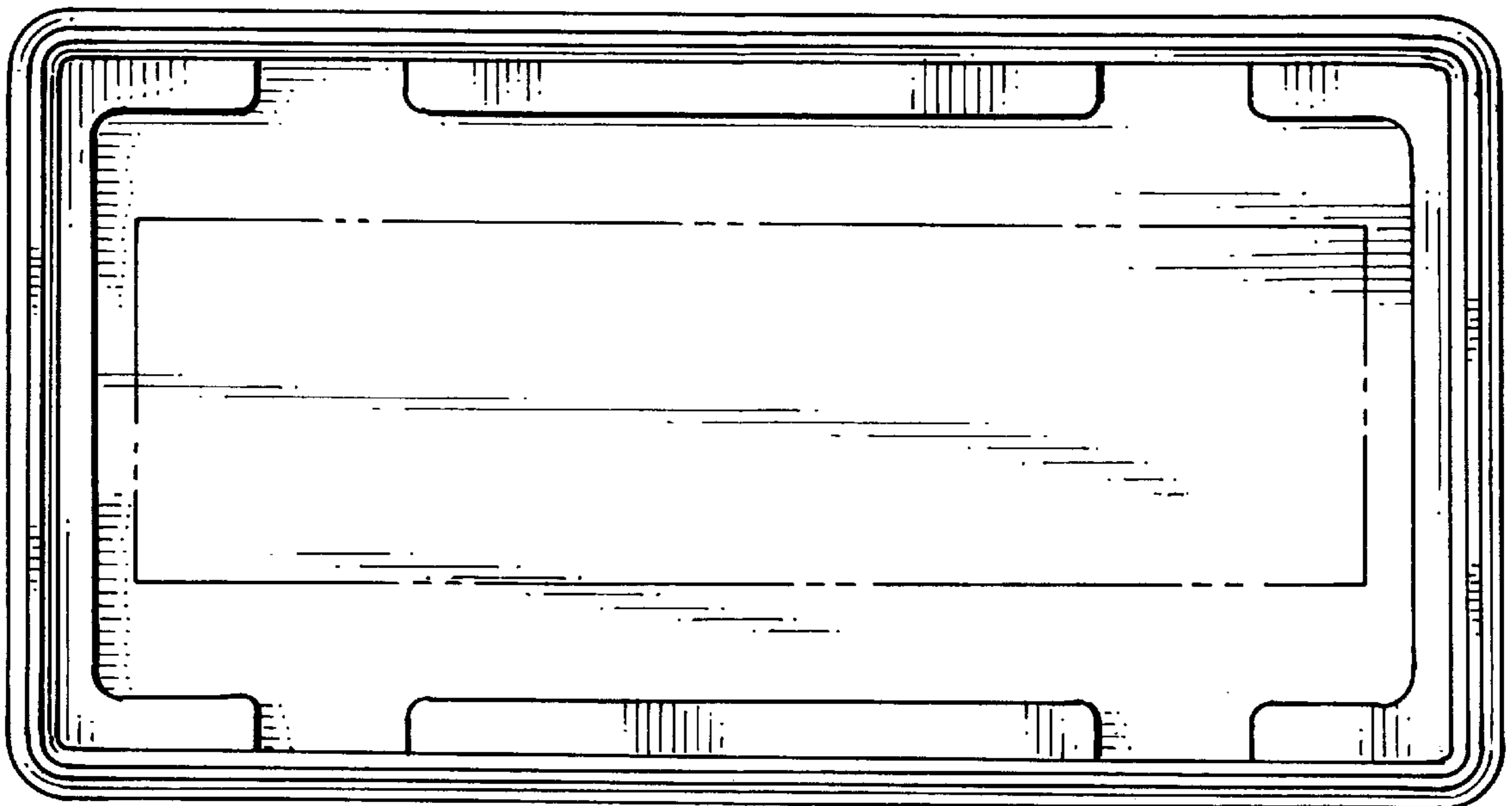


FIG. 4

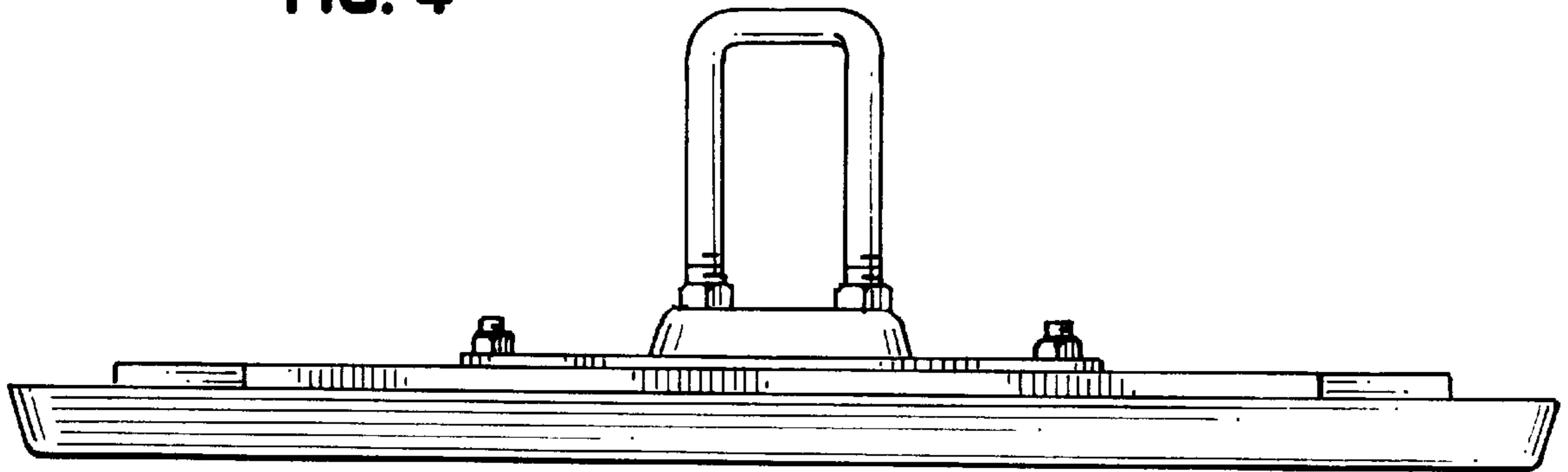


FIG. 5

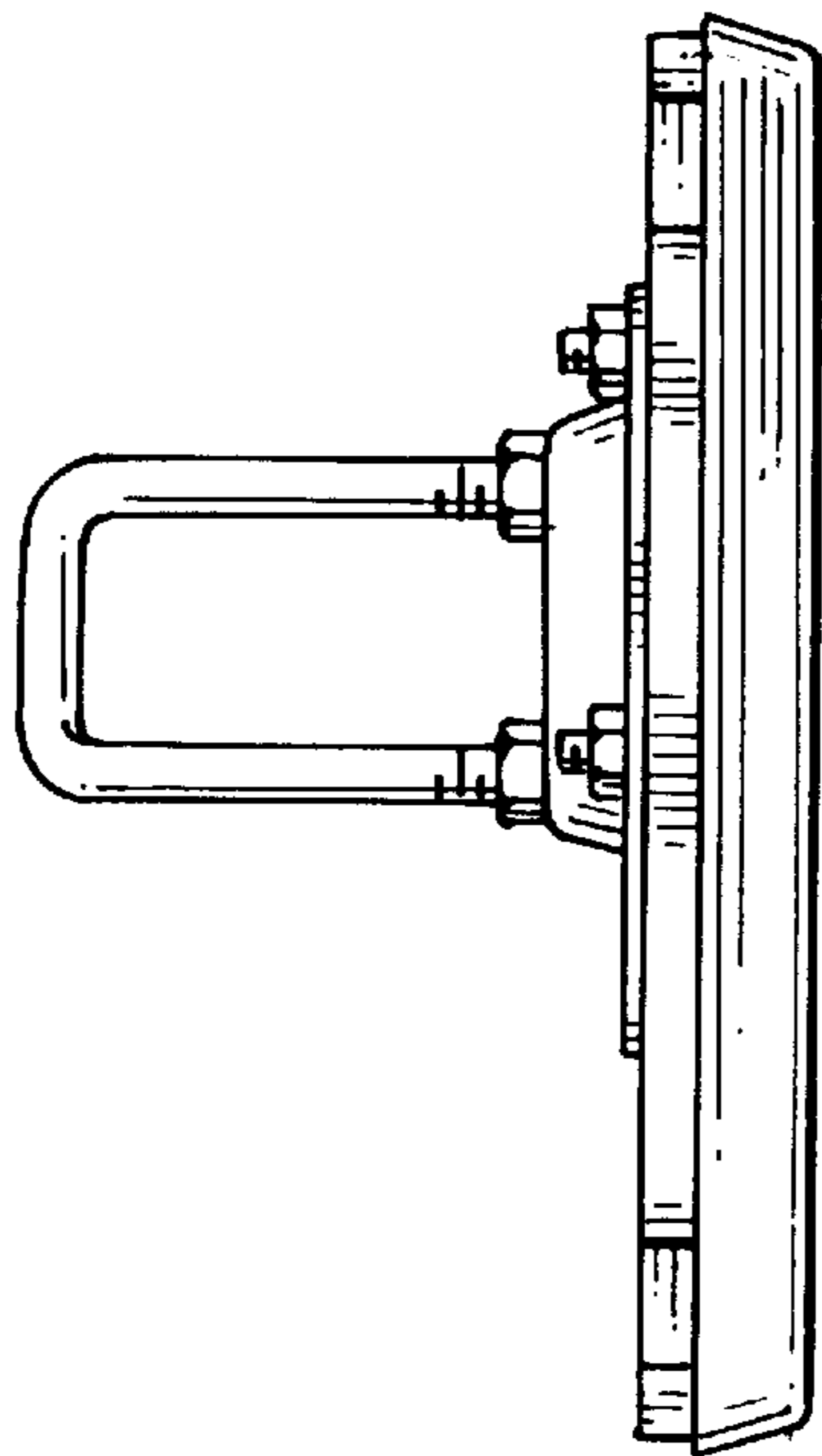


FIG. 6

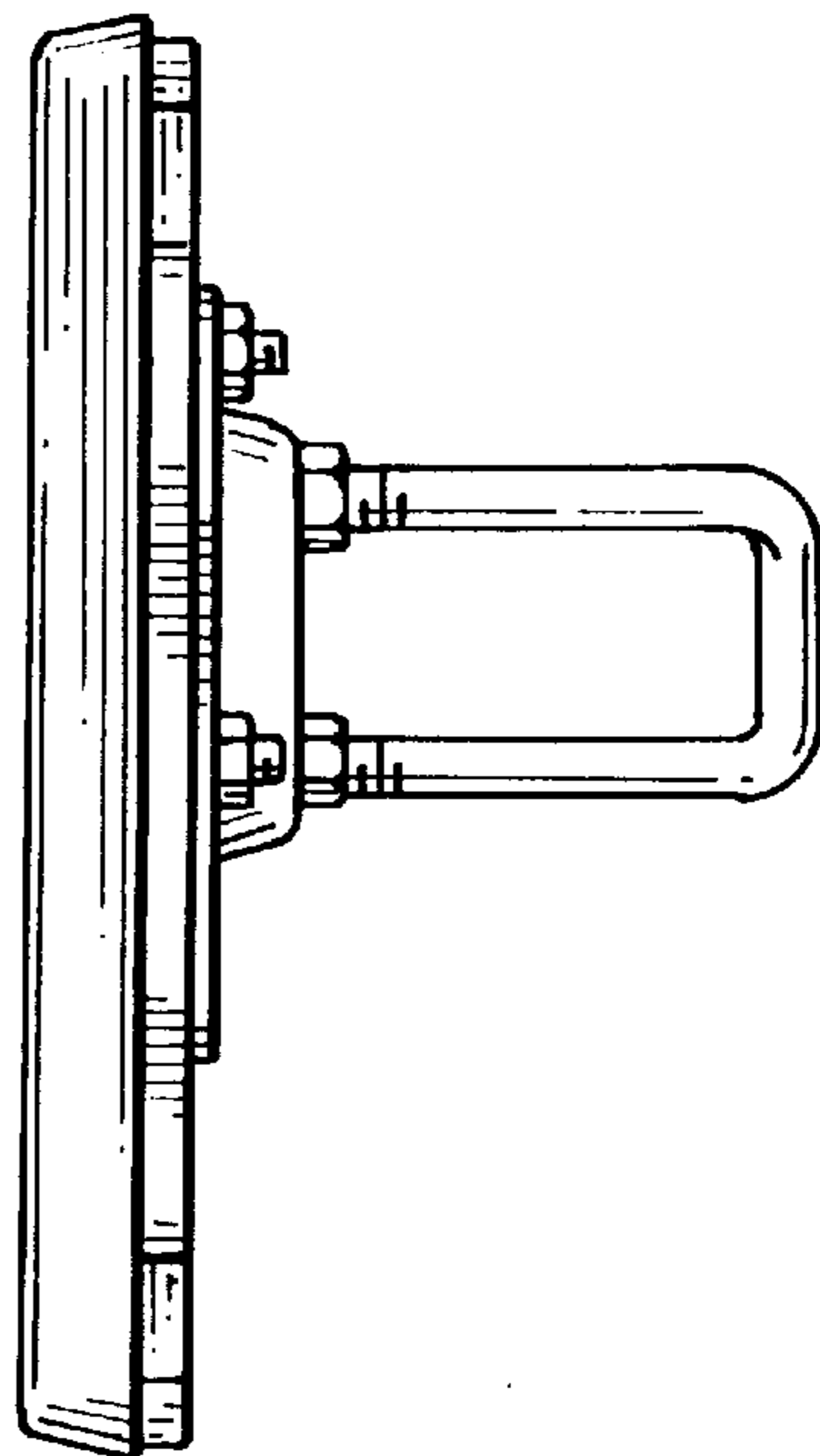


FIG. 7

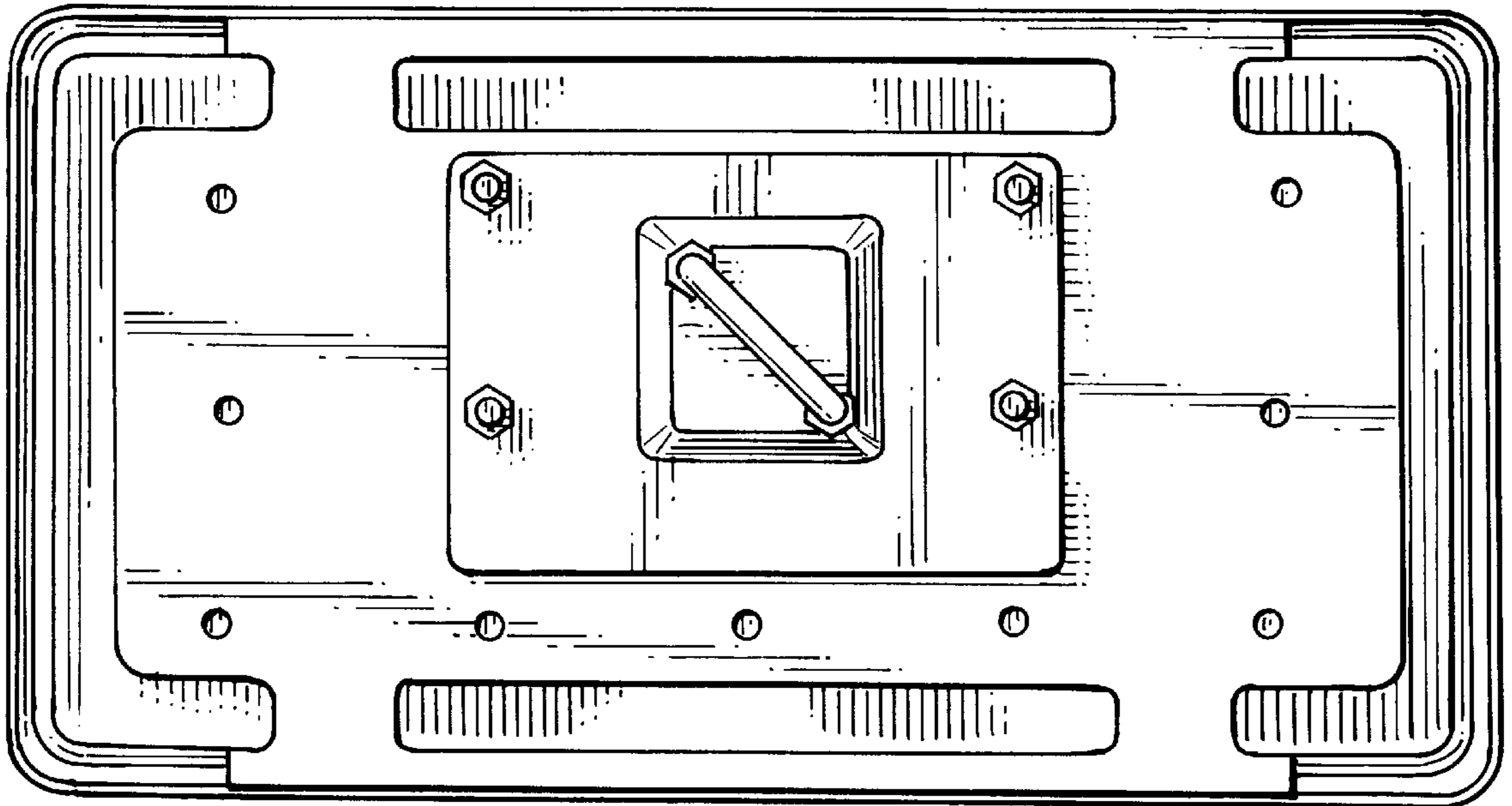


FIG. 8

