



US00D399804S

United States Patent [19]

[11] **Patent Number: Des. 399,804**

Lindenman et al.

[45] **Date of Patent: **Oct. 20, 1998**

[54] **SAFETY CHAIN ANCHOR ARMS FOR A GOOSENECK HITCH ASSEMBLY**

Primary Examiner—James Gandy
Assistant Examiner—Stacia Sinuik
Attorney, Agent, or Firm—King and Schickli

[75] Inventors: **Thomas W. Lindenman**, South Bend;
Richard W. McCoy, Granger, both of Ind.

[57] **CLAIM**

The ornamental design for a safety chain anchor arms for a gooseneck hitch assembly, as shown and described.

[73] Assignee: **Reese Products, Inc.**, Elkhart, Ind.

DESCRIPTION

[**] Term: **14 Years**

[21] Appl. No.: **70,102**

FIG. 1 is a top plan view of the visible portion of the safety chain anchor arms for a gooseneck hitch assembly when installed in a vehicle such as a pick-up truck; FIG. 2 is a front elevational view thereof, the rear elevational view being substantially a mirror image; FIG. 3 is a left side elevational view thereof; FIG. 4 is a right side elevational view thereof; FIG. 5 is a perspective view thereof with the safety chain anchor arms and hitch ball positioned for towing; FIG. 6 is a front elevational view in the towing position; FIG. 7 is a right side elevational view in the towing position; FIG. 8 is a rear elevational view of the towing position; FIG. 9 is a left side elevational view of the towing position; and, FIG. 10 is a top plan view of the towing position. The broken line showing of environment is for illustrative purposes only and forms no part of the claimed design.

[22] Filed: **Apr. 30, 1997**

[51] **LOC (6) Cl.** **12-16**

[52] **U.S. Cl.** **D12/162**

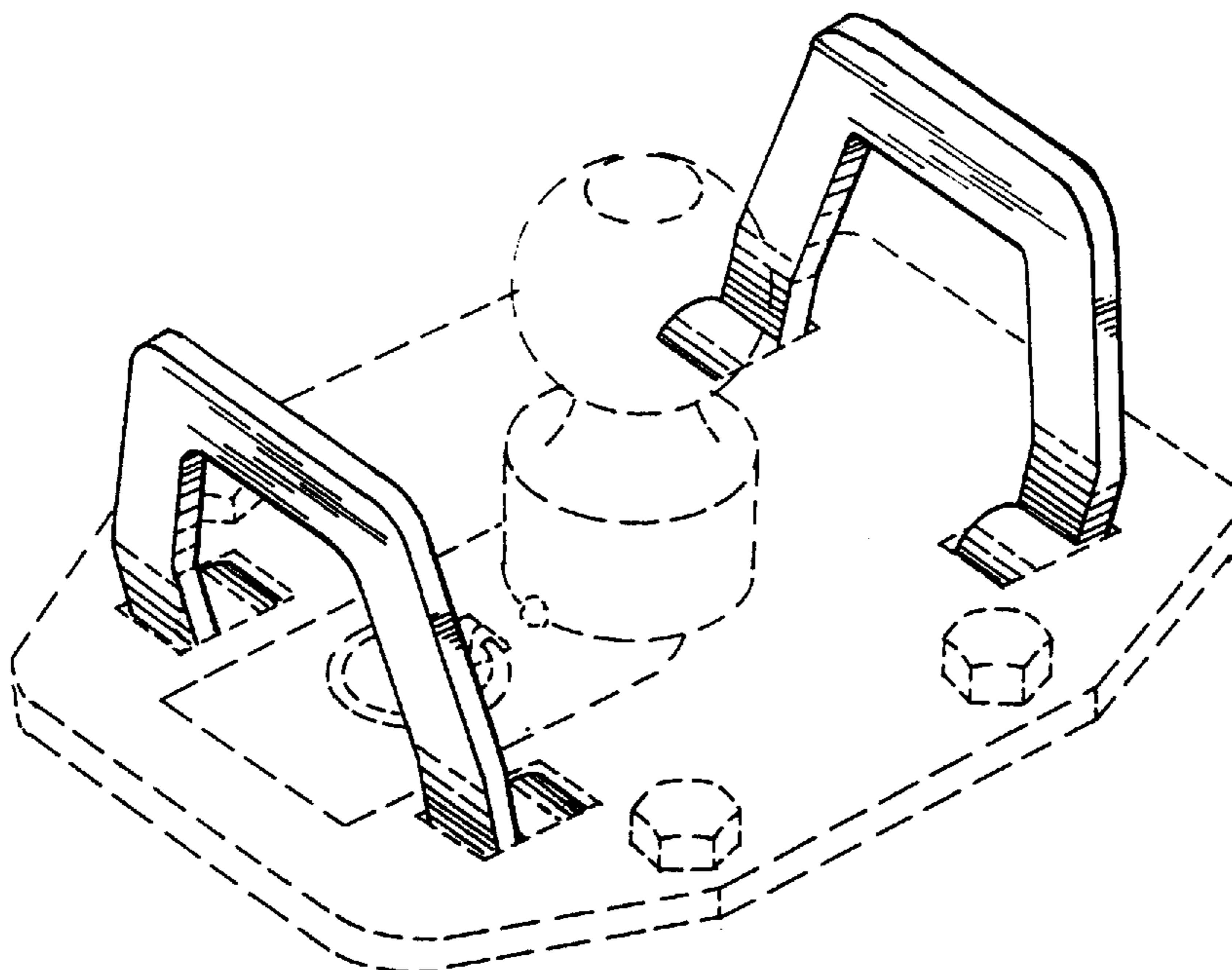
[58] **Field of Search** D12/162; 280/417.1, 280/423.1, 424, 511, 493, 494, 495, 491.2, 491.3, 414.1, 414.2, 479.2, 415.1, 432, 441.2, 504, 433

[56] **References Cited**

U.S. PATENT DOCUMENTS

D. 317,426	6/1991	Lytle	D12/162
5,342,076	8/1994	Swindall	280/504 X
5,435,585	7/1995	Chambers	280/417.1 X
5,472,222	12/1995	Marcy	280/433
5,571,270	11/1996	Larkin	280/417.1 X

1 Claim, 4 Drawing Sheets



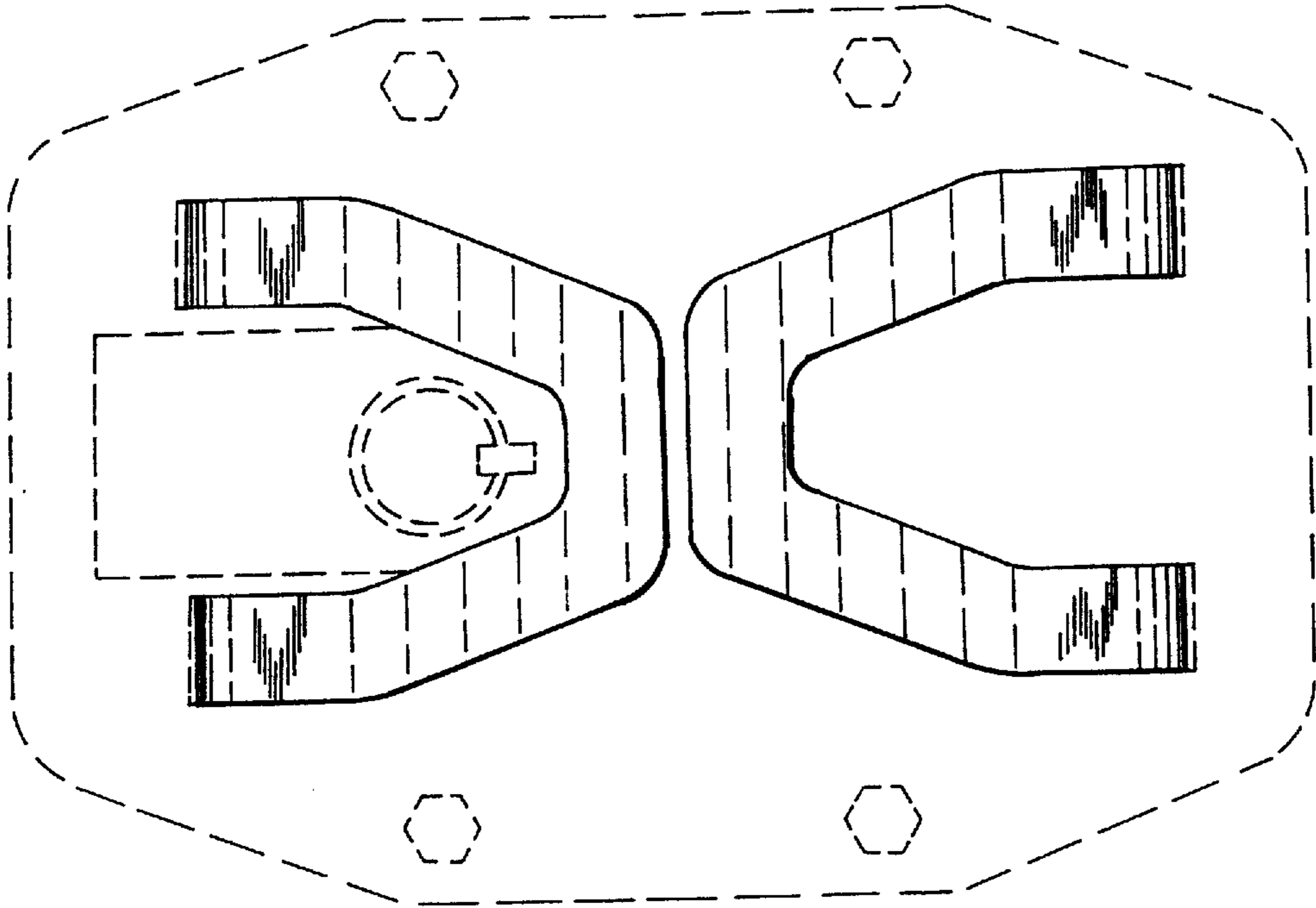


Fig. 1



Fig. 2

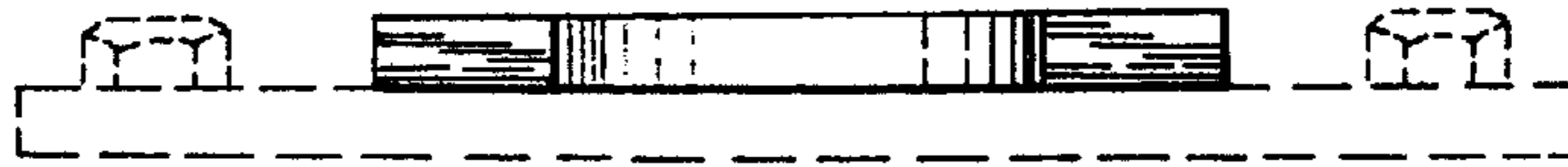


Fig. 3

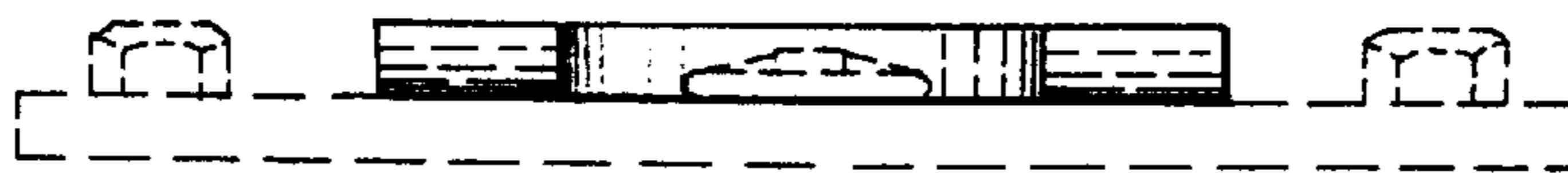


Fig. 4

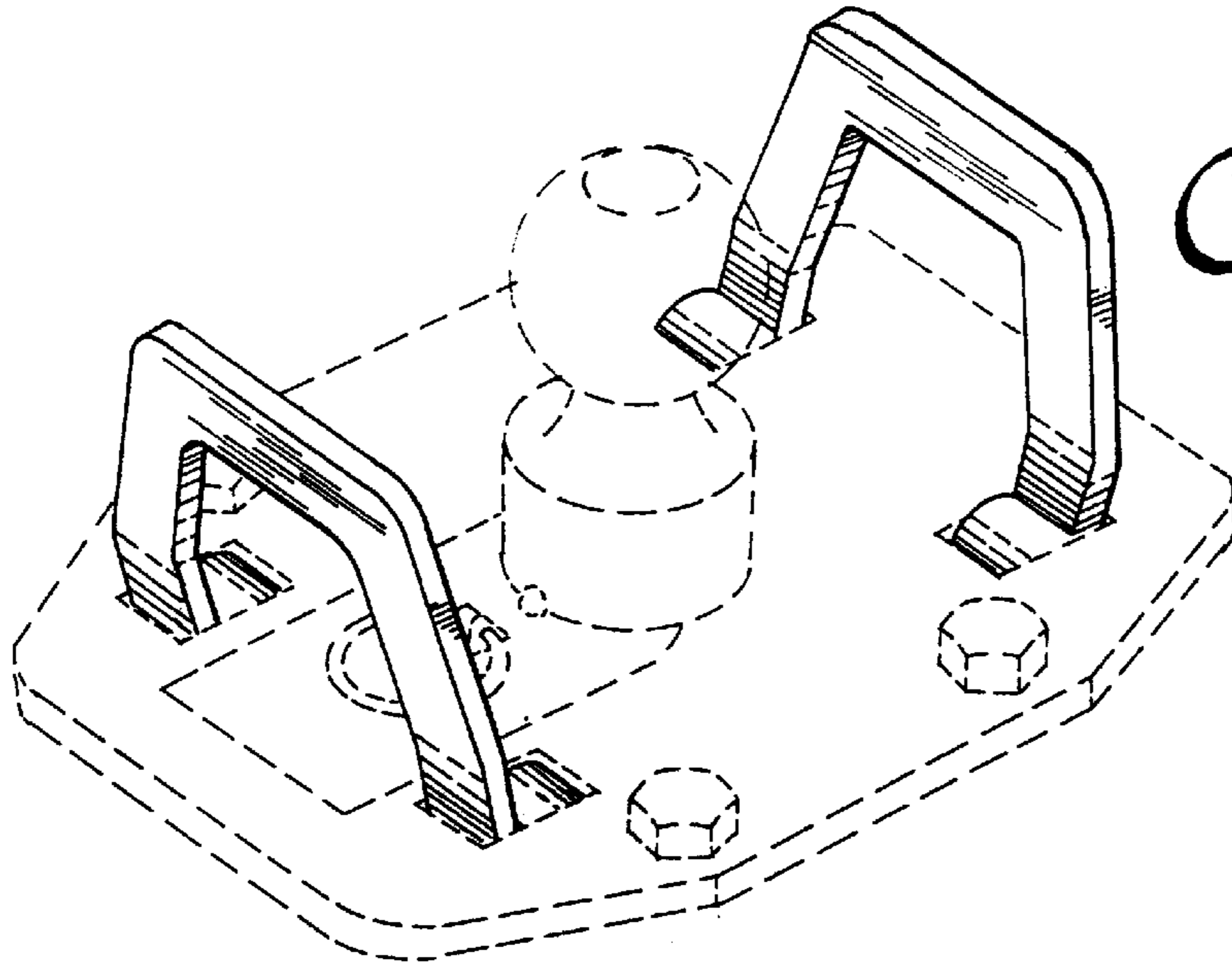


Fig. 5

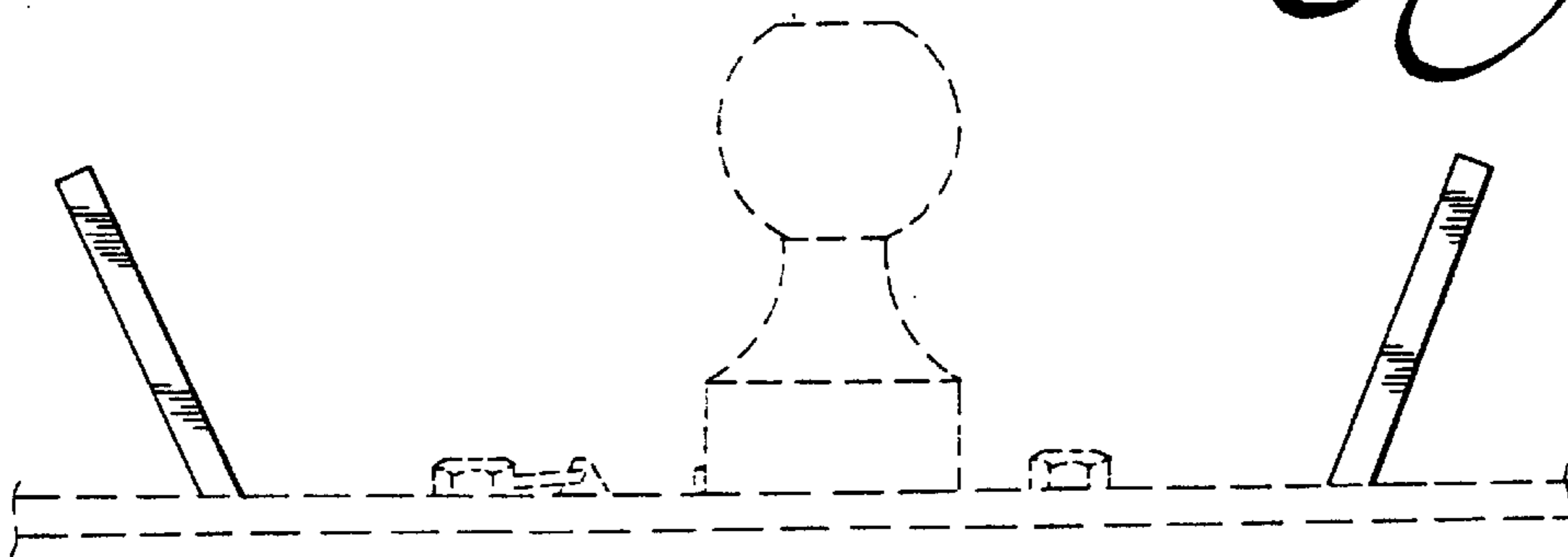


Fig. 6

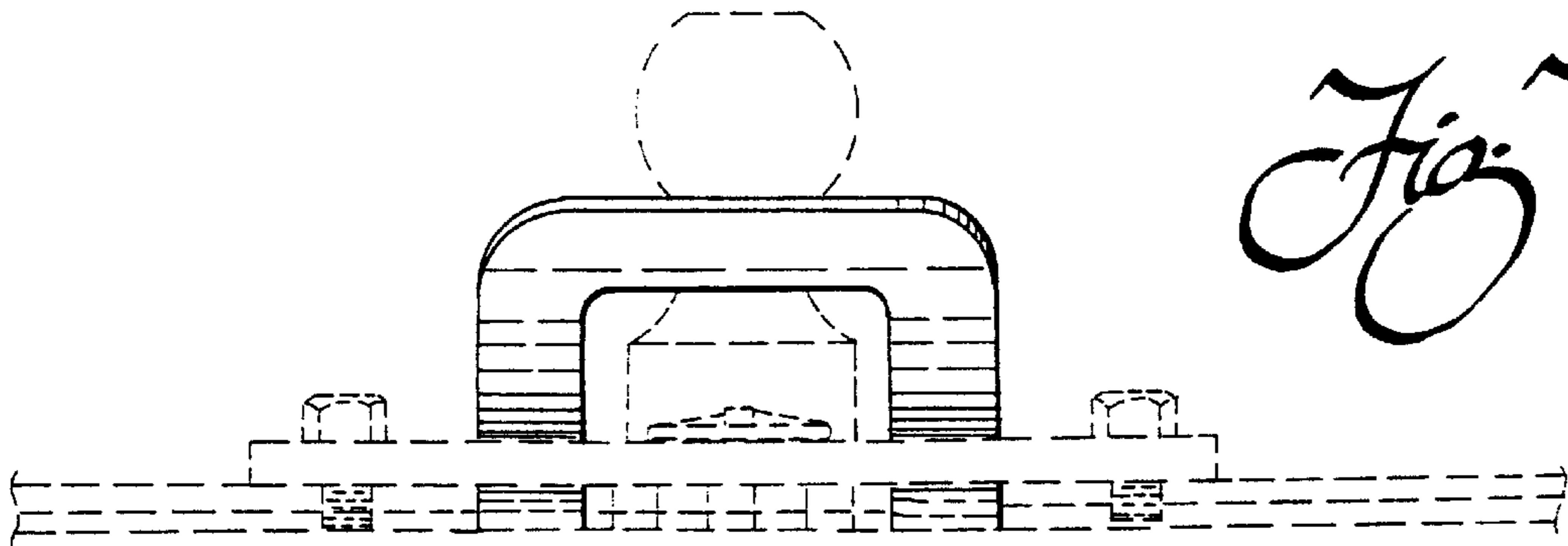


Fig. 7

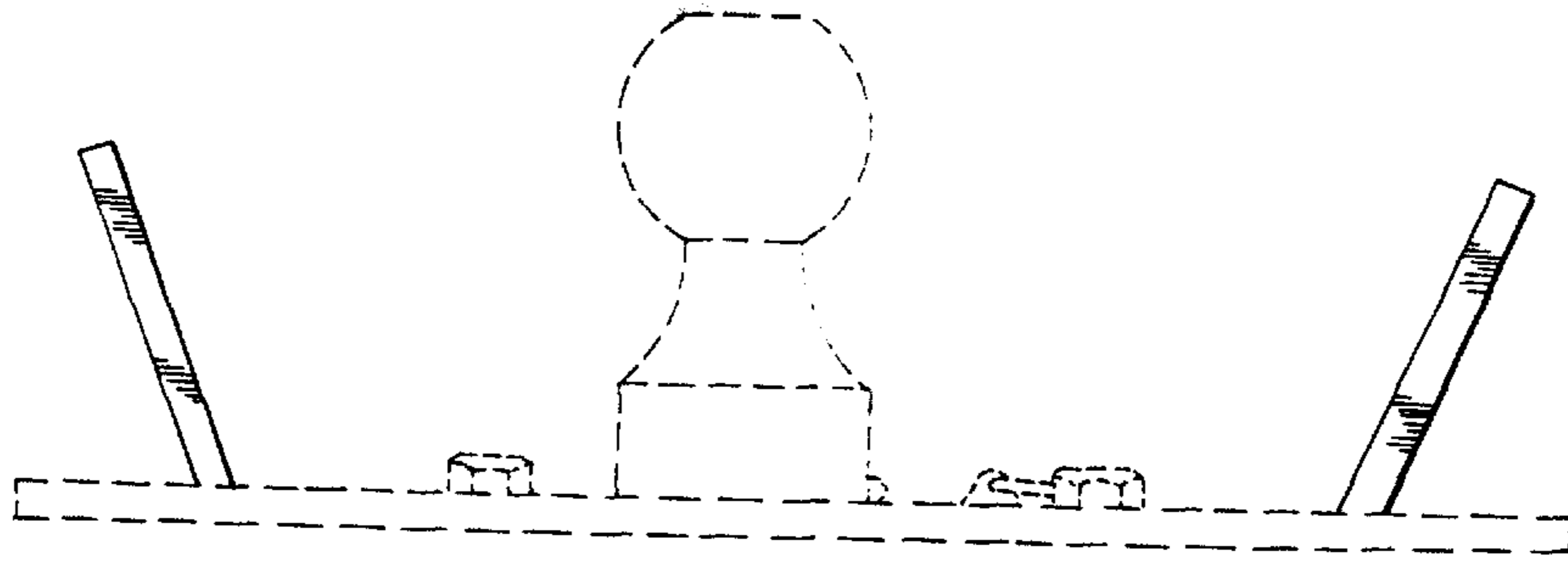


Fig. 8

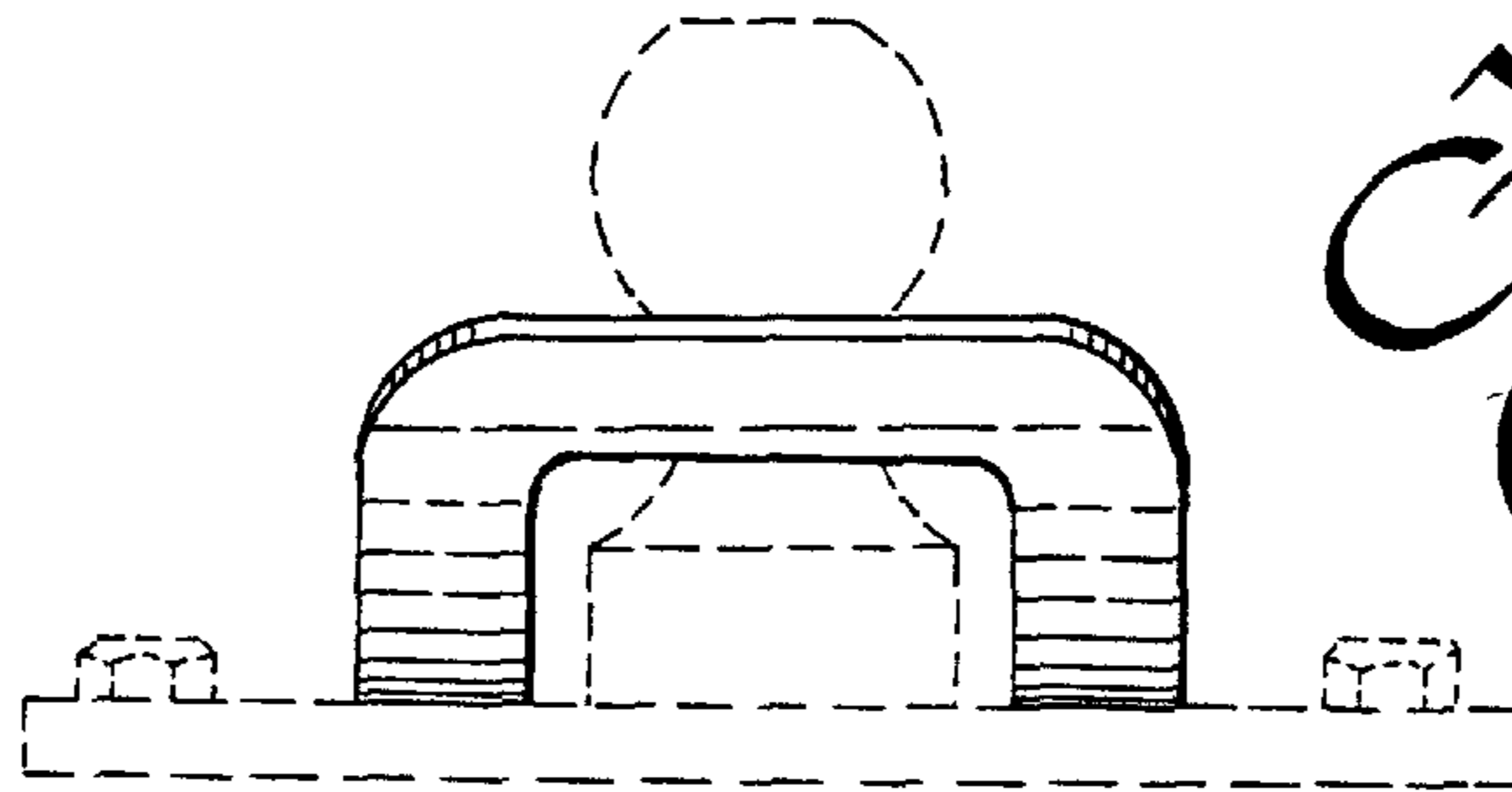


Fig. 9

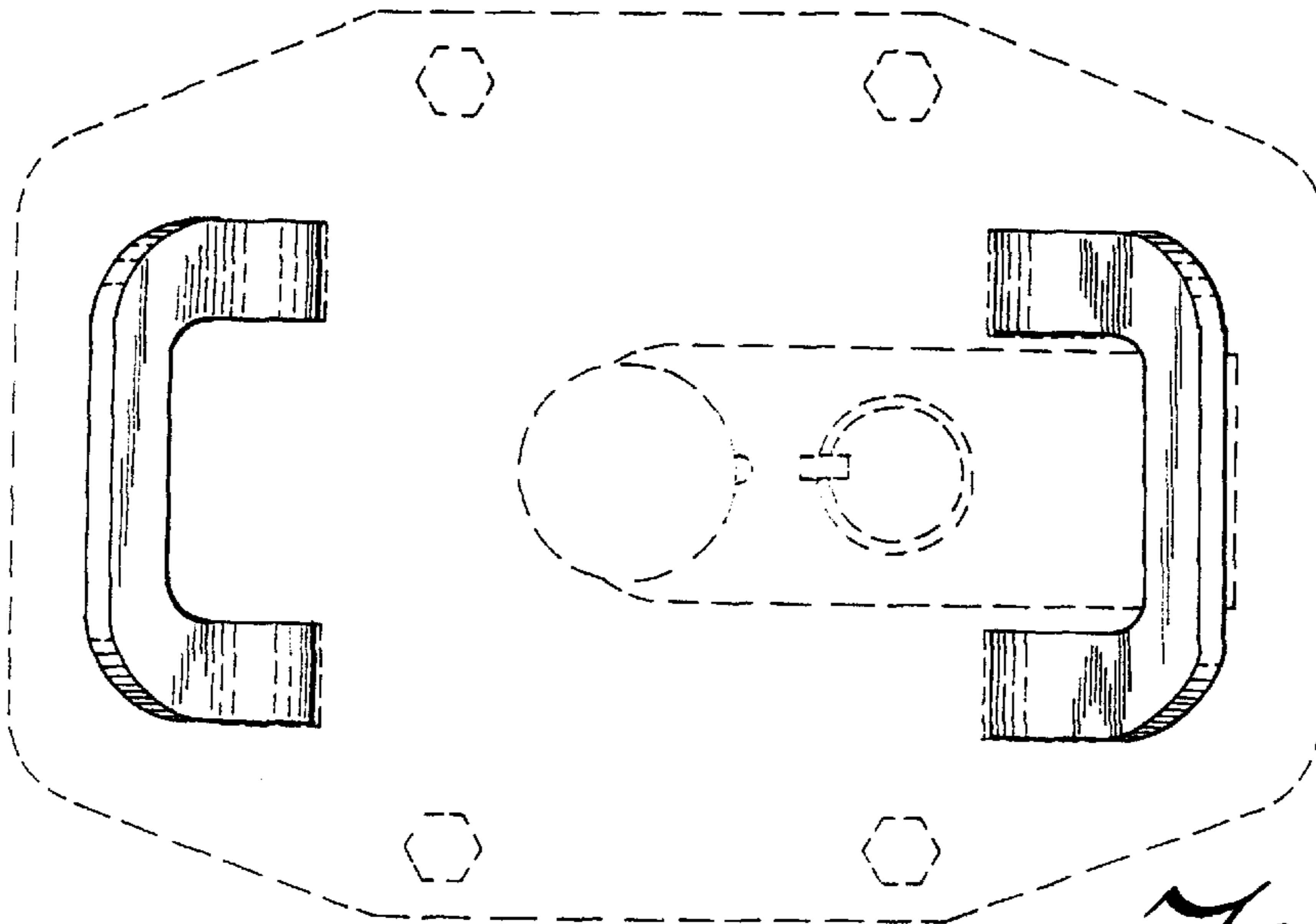


Fig. 10