



US00D399795S

United States Patent [19]

Rauscher et al.

[11] **Patent Number: Des. 399,795**

[45] **Date of Patent: **Oct. 20, 1998**

[54] **WHEELCHAIR SUPPORT BRACKET**

[75] Inventors: **Malee Rauscher**, 4100 University Blvd., Dallas, Tex. 75205; **Patrick E. Lenaburg**, Denton; **Richard A. Arnim**, Flower Mound, both of Tex.

[73] Assignee: **Malee Rauscher**, Dallas, Tex.

[**] Term: **14 Years**

[21] Appl. No.: **73,273**

[22] Filed: **Jul. 15, 1997**

[51] **LOC (6) Cl.** **12-12**

[52] **U.S. Cl.** **D12/133; D8/373**

[58] **Field of Search** **D12/133, 131, D12/129, 130; 297/284.1, 284.5, 391, 463.1, 361; D8/373, 382; 211/14; 248/121, 122.1, 283.1, 230.3, 176.1, 177.1, 178.1**

[56] **References Cited**

U.S. PATENT DOCUMENTS

D. 305,219	1/1989	Wood	D12/133
2,766,463	10/1956	Bendersky	297/391 X
3,522,887	8/1970	Petersen	211/14
3,730,589	5/1973	Lane	297/391

Primary Examiner—Kay H. Chin
Attorney, Agent, or Firm—Jenkins & Gilchrist

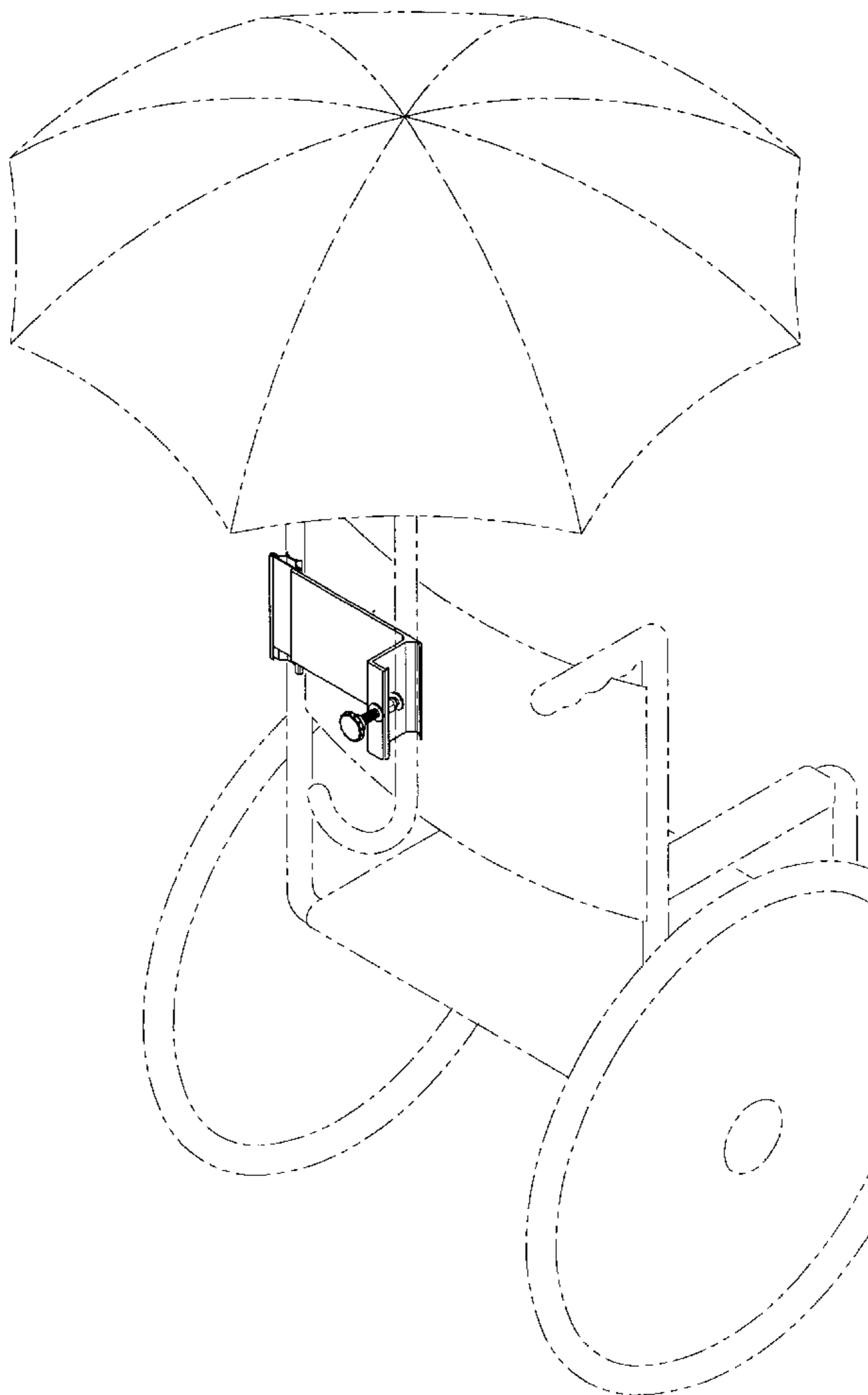
[57] **CLAIM**

The ornamental design for the wheelchair support bracket, as shown and described.

DESCRIPTION

FIG. 1 is a perspective view of the wheelchair support bracket showing a wheelchair and umbrella in phantom for purposes of illustration;
FIG. 2 is an enlarged perspective view of the wheelchair support bracket of FIG. 1;
FIG. 3 is a front elevational view of the wheelchair support bracket;
FIG. 4 is a rear elevational view of the wheelchair support bracket;
FIG. 5 is a side elevational view of the wheelchair support bracket taken from the left side; and
FIG. 6 is a side elevational view of the wheelchair support bracket taken from the right side;
FIG. 7 is a top plan view of the wheelchair support bracket; and,
FIG. 8 is a bottom plan view of the wheelchair support bracket.

1 Claim, 4 Drawing Sheets



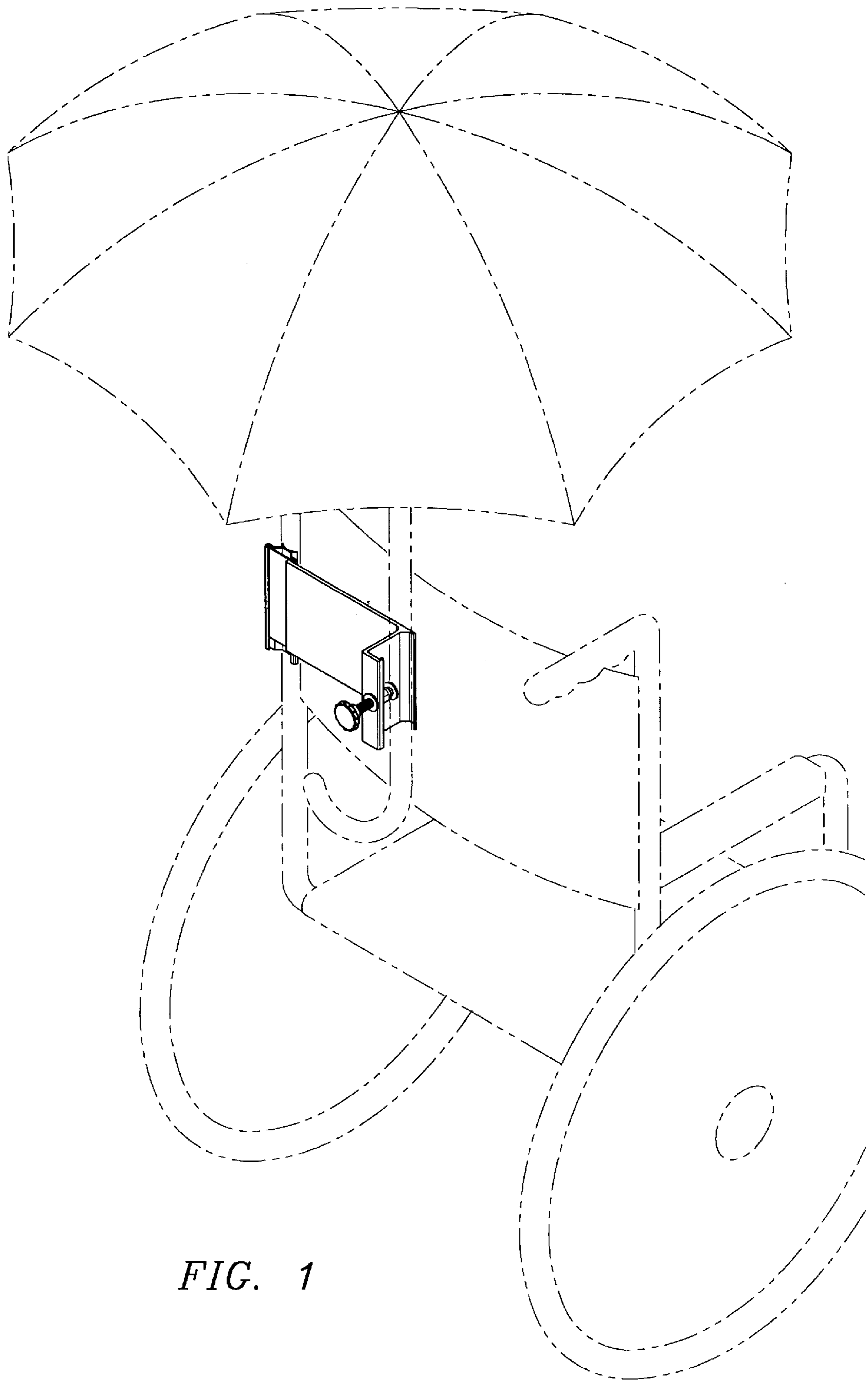


FIG. 1

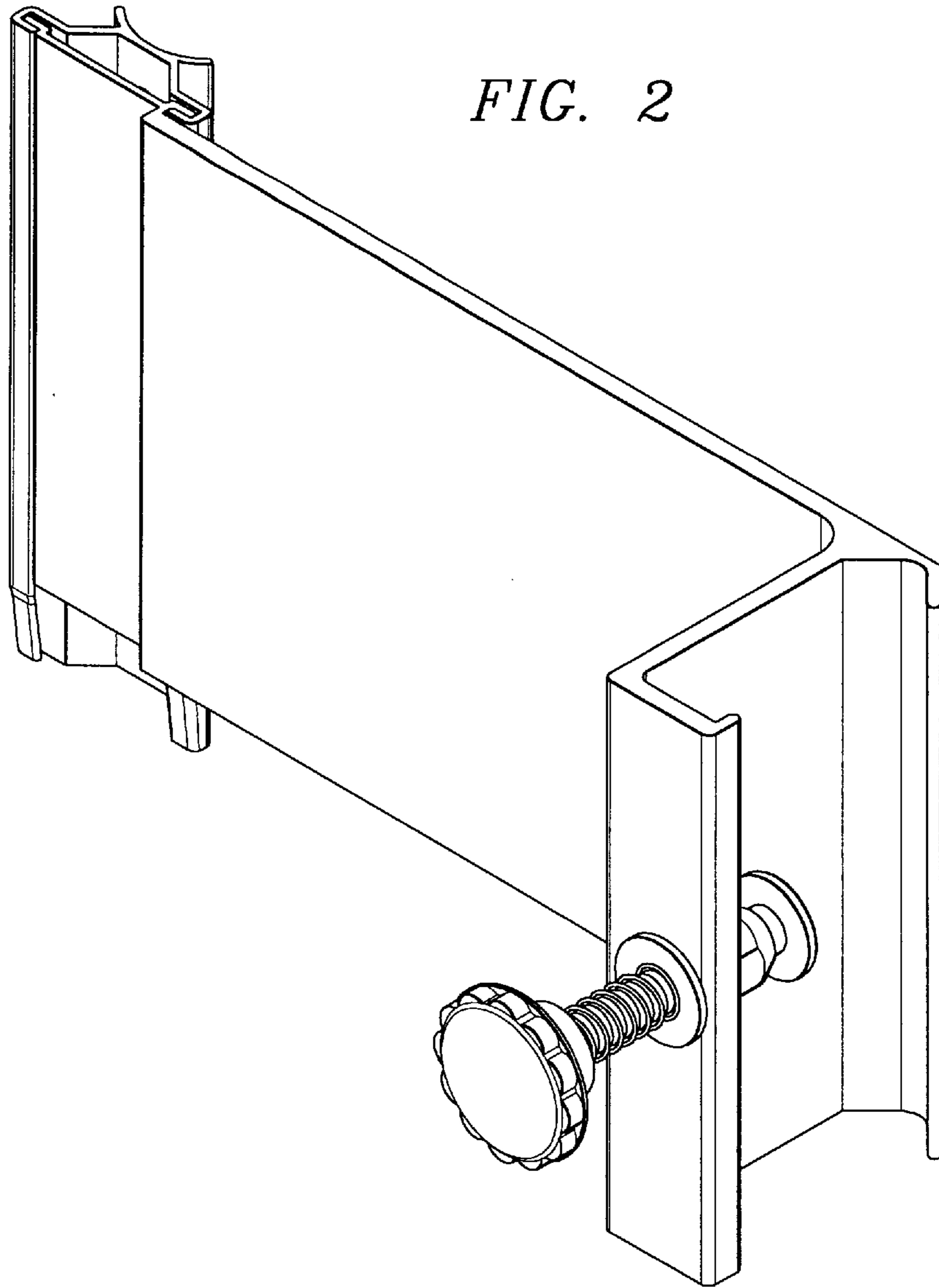


FIG. 3

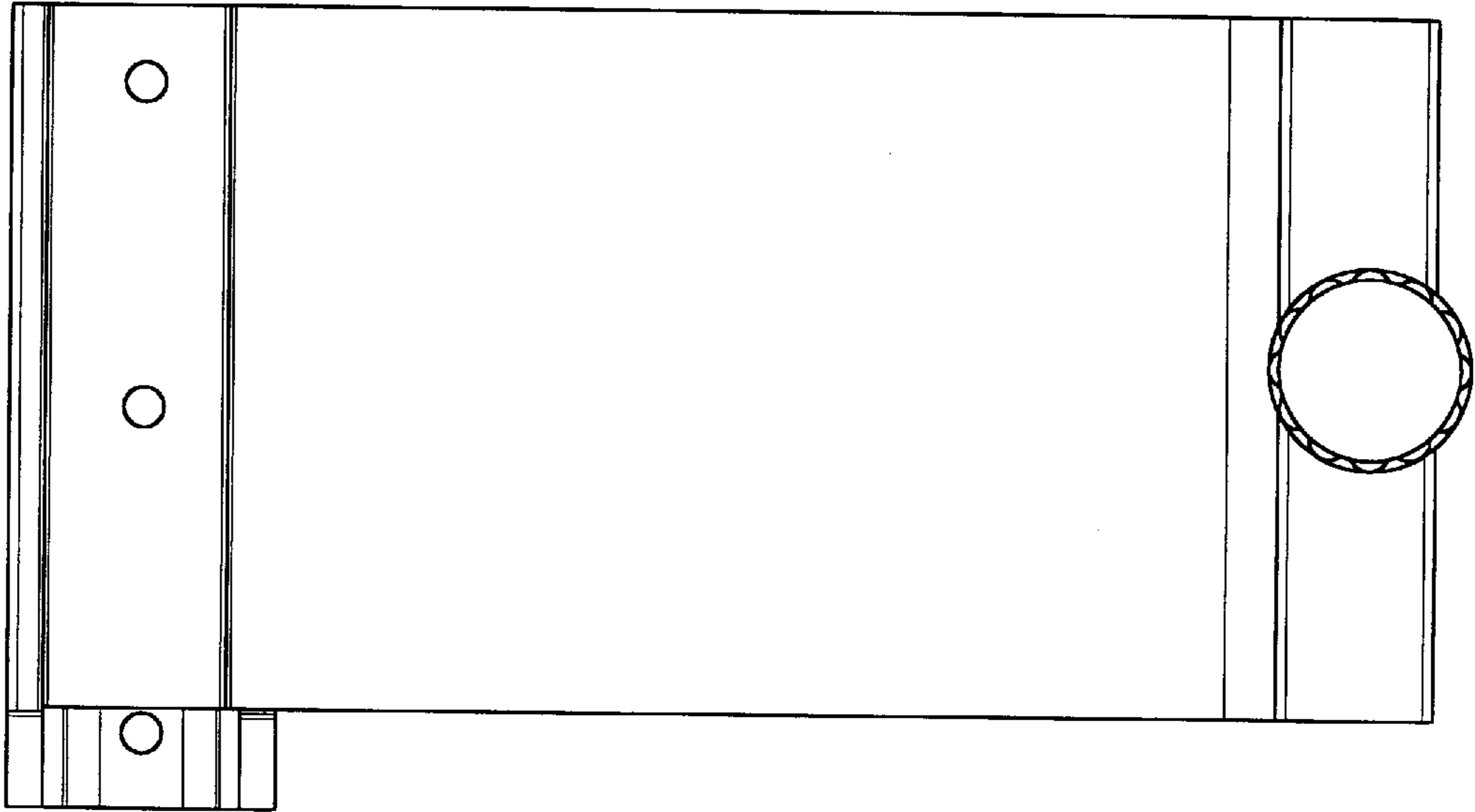


FIG. 4

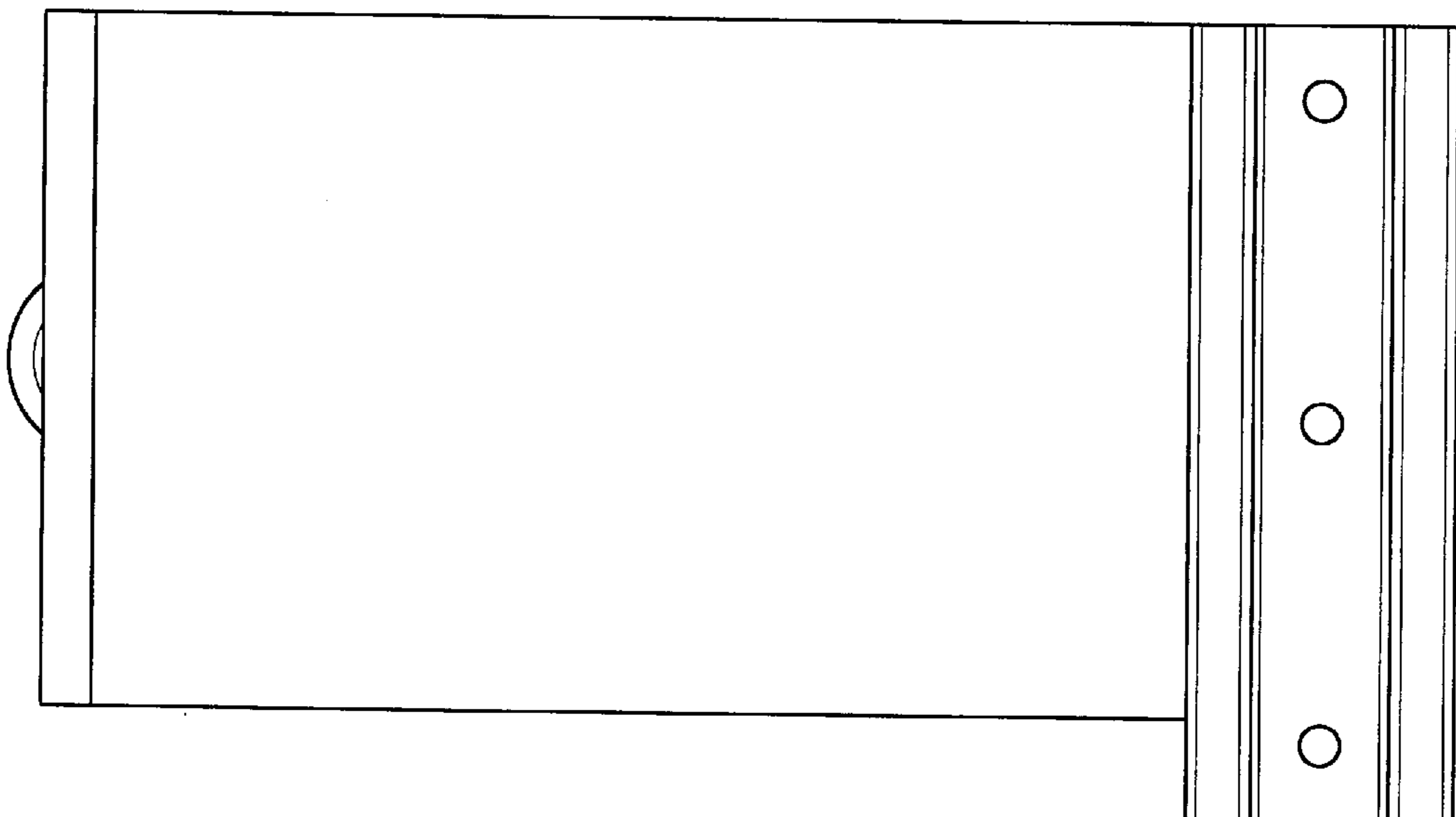


FIG. 5

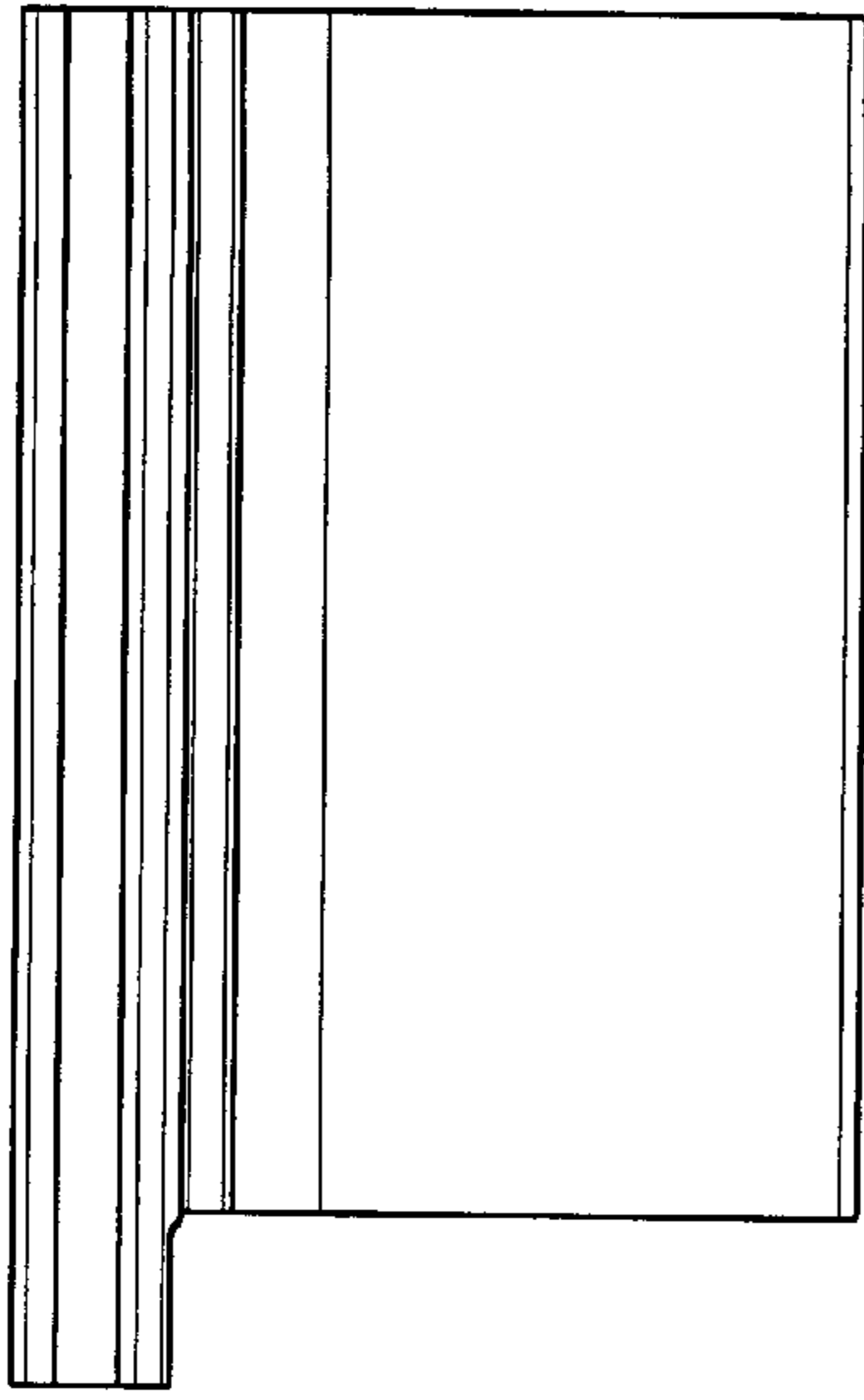


FIG. 6

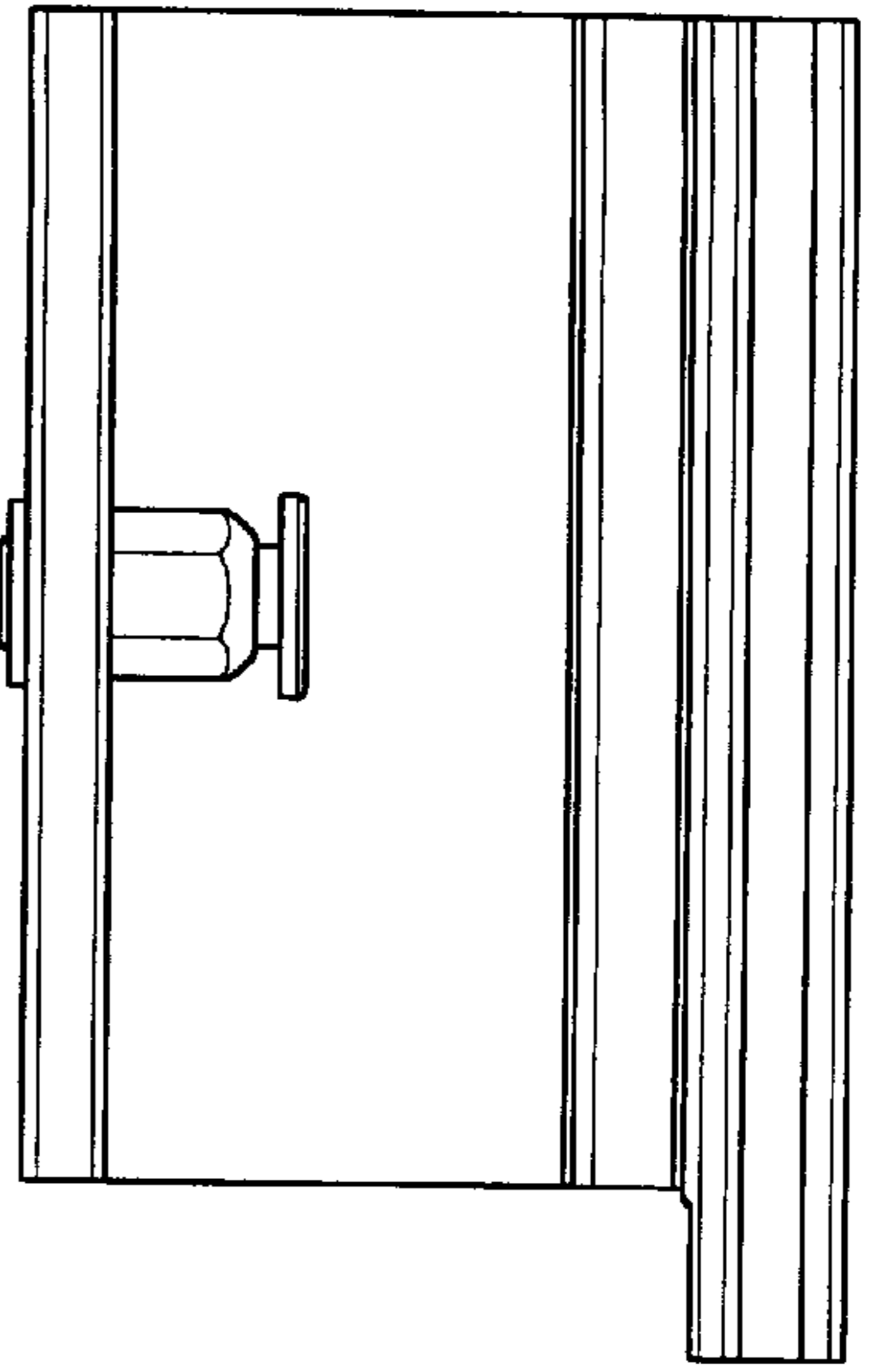


FIG. 7

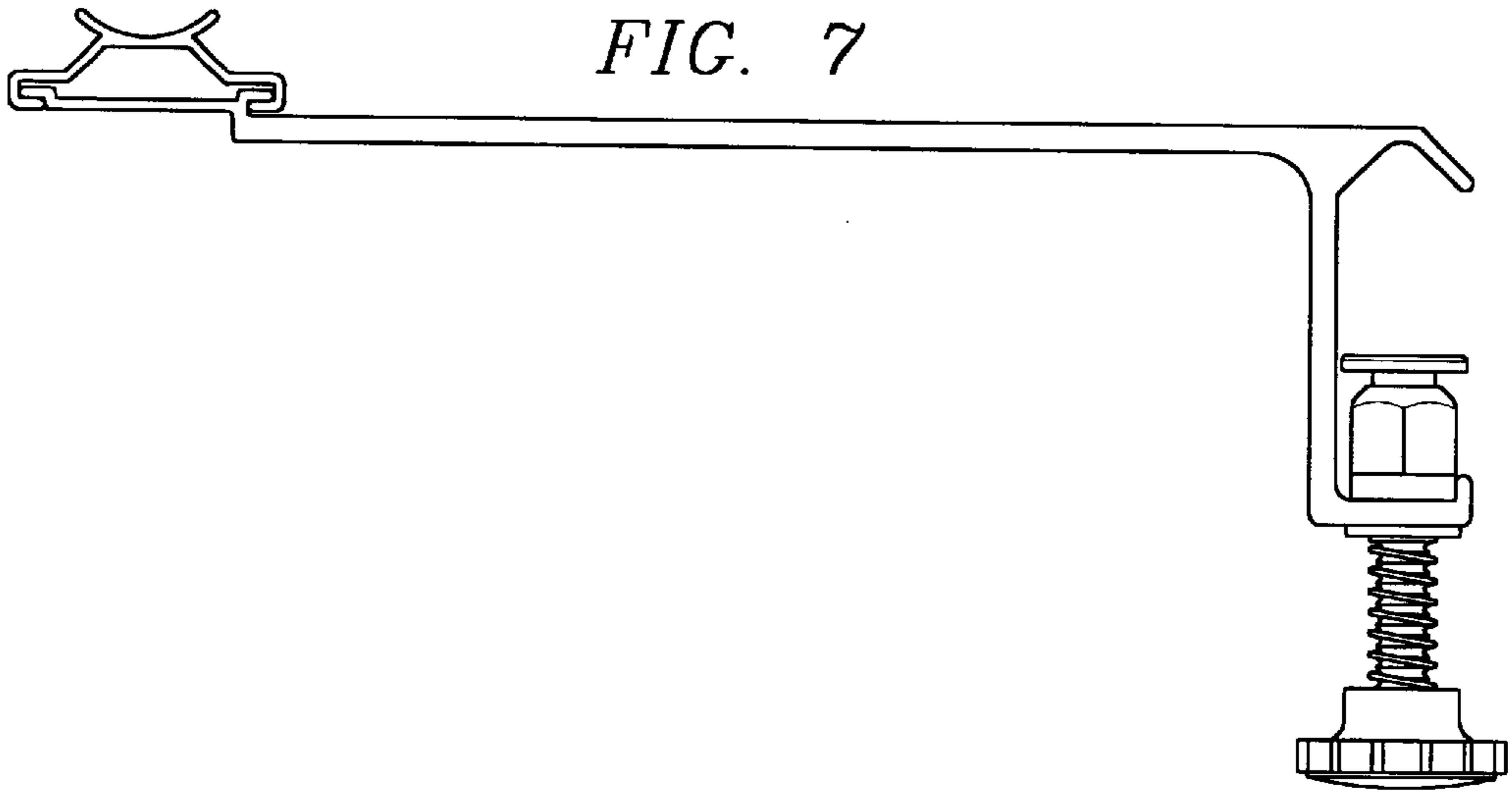


FIG. 8

