



US00D399789S

United States Patent [19]

Adamovich et al.

[11] Patent Number: Des. 399,789

[45] Date of Patent: **Oct. 20, 1998

[54] BASKETBALL CAR

[75] Inventors: **Dennis J. Adamovich**, Atlanta; **Steven R. Koonin**, Marietta; **Krista L. Lofstrom**, Atlanta; **Elizabeth W. O'Dowd**, Atlanta; **Joseph A. Reiman**, Atlanta, all of Ga.

[73] Assignee: **The Coca-Cola Company**, Atlanta, Ga.

[**] Term: **14 Years**

[21] Appl. No.: **76,165**

[22] Filed: **Sep. 4, 1997**

[51] LOC (6) Cl. **12-08**

[52] U.S. Cl. **D12/86**

[58] Field of Search D12/86, 90-92,
D12/83; D21/78, 80; 296/185

[56] **References Cited**

U.S. PATENT DOCUMENTS

- D. 231,911 6/1974 Baker D12/83
- D. 256,482 8/1980 Brown D21/80

- D. 266,833 11/1982 Wharton D12/83
- D. 300,617 4/1989 Baker D12/83
- D. 304,914 12/1989 Wurter D12/91
- D. 378,906 4/1997 Nesbitt et al. D12/91
- D. 380,420 7/1997 Crotery D12/91
- D. 380,421 7/1997 Hoard D12/91
- D. 385,828 11/1997 Mays D12/92

Primary Examiner—Melody N. Brown
Attorney, Agent, or Firm—Dennis W. Braswell

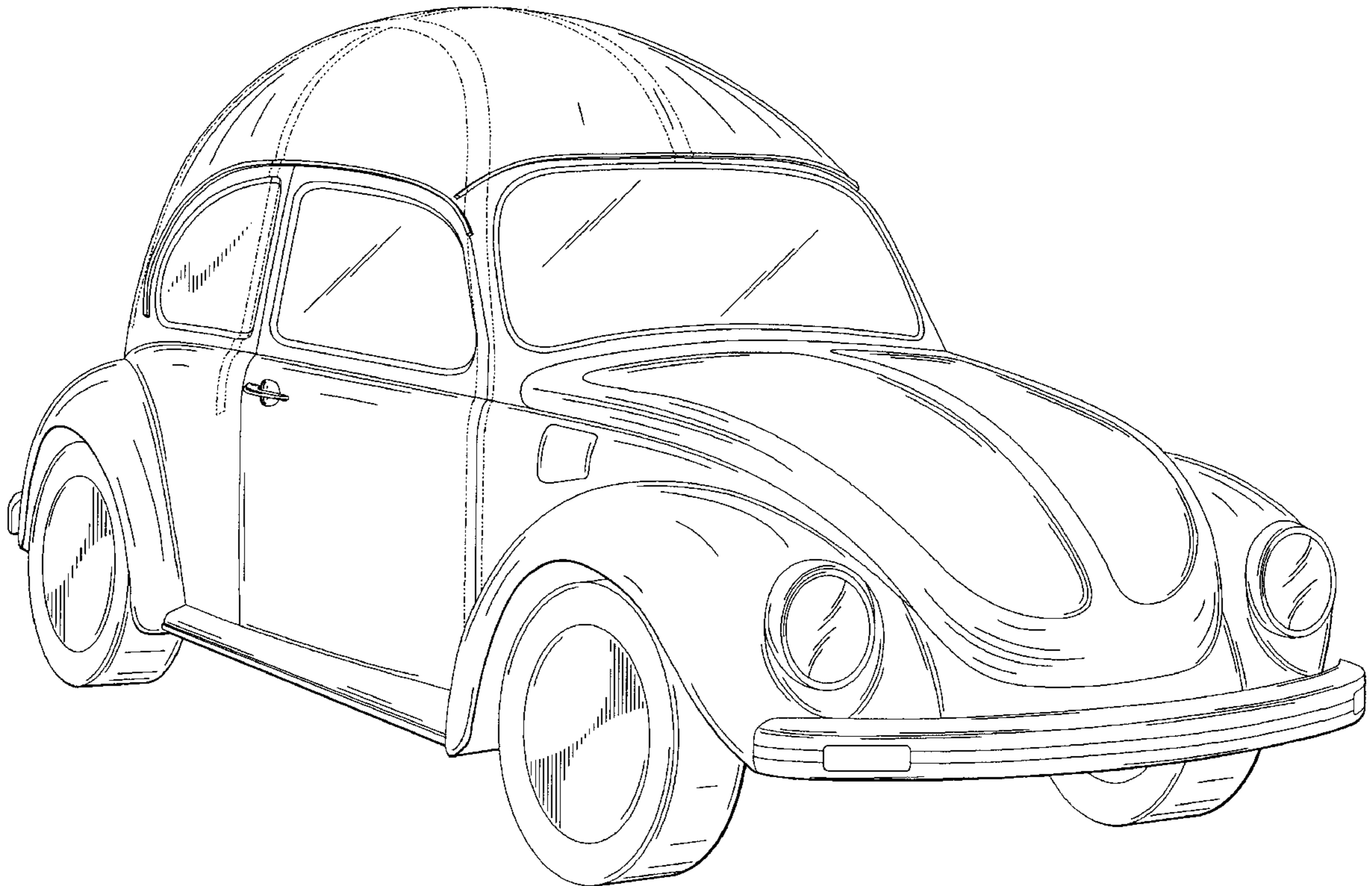
[57] **CLAIM**

We claim the ornamental design for a basketball car, as shown and described.

DESCRIPTION

FIG. 1 is a top front left side perspective view of a basketball car showing our new design;
FIG. 2 is a left side elevational view thereof (the right side elevational view is substantially a mirror-image of the left view);
FIG. 3 is a front side elevational view thereof;
FIG. 4 is a rear elevational view thereof; and,
FIG. 5 is a top plan view thereof.

1 Claim, 4 Drawing Sheets



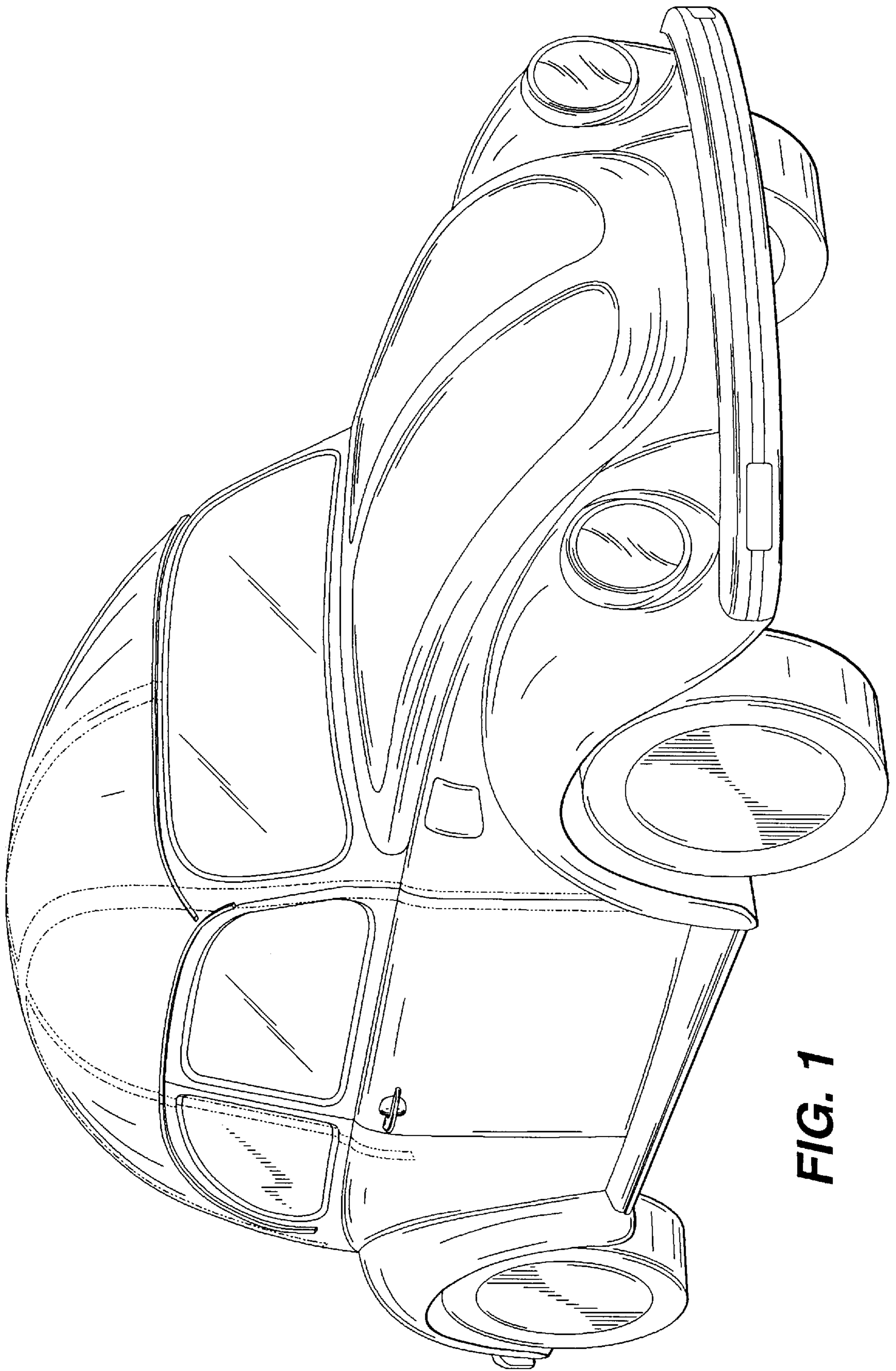


FIG. 1

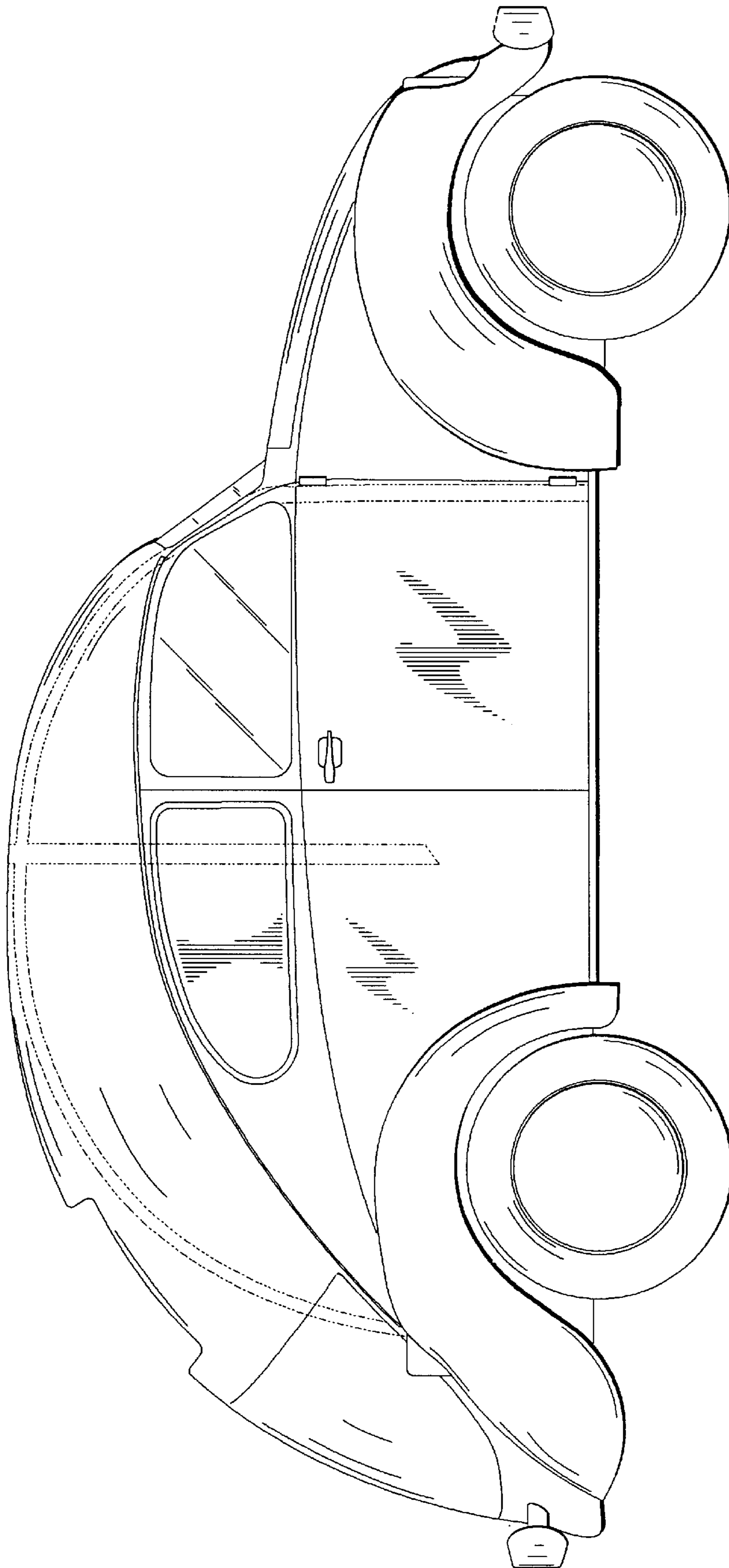


FIG. 2

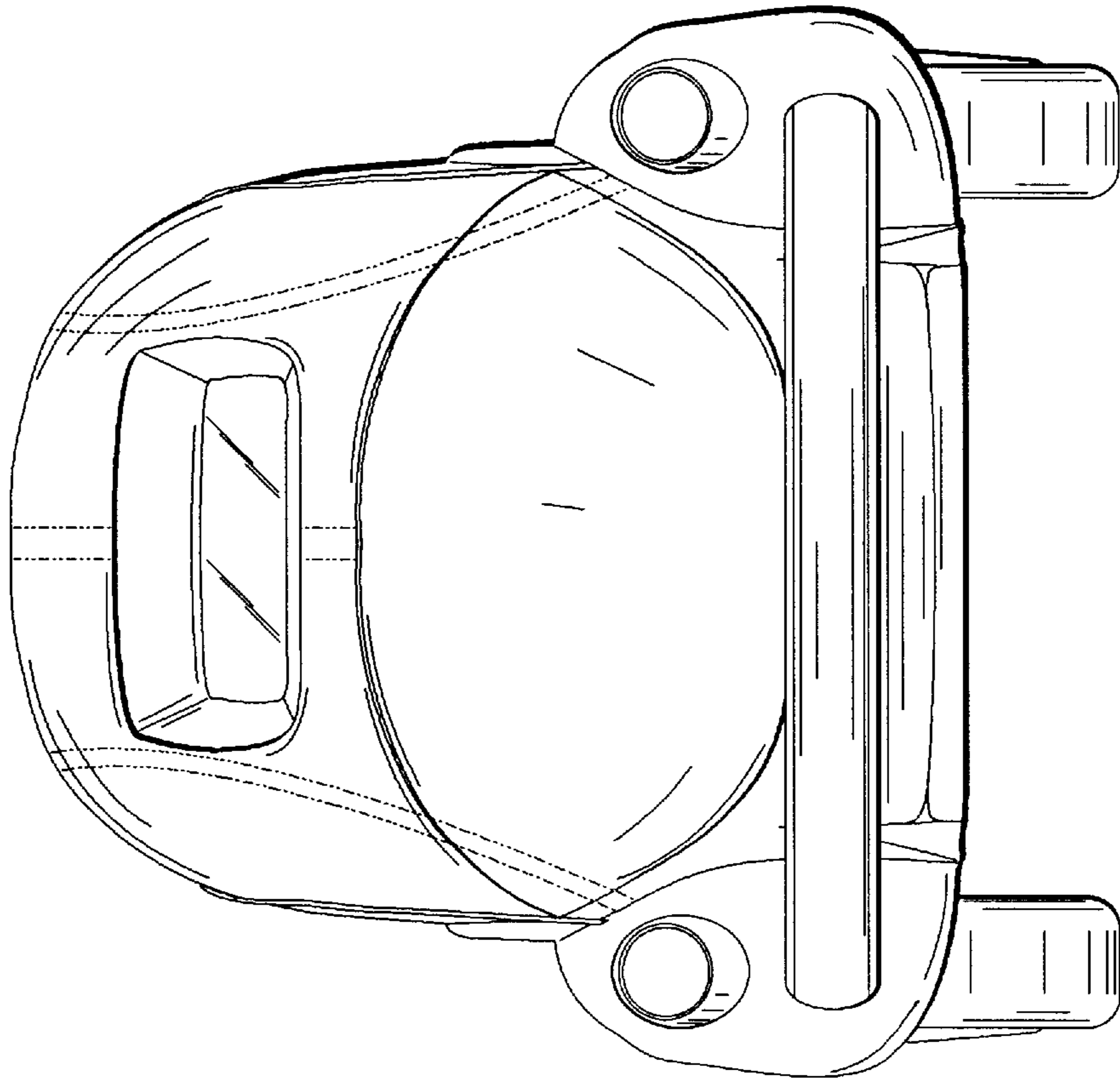


FIG. 4

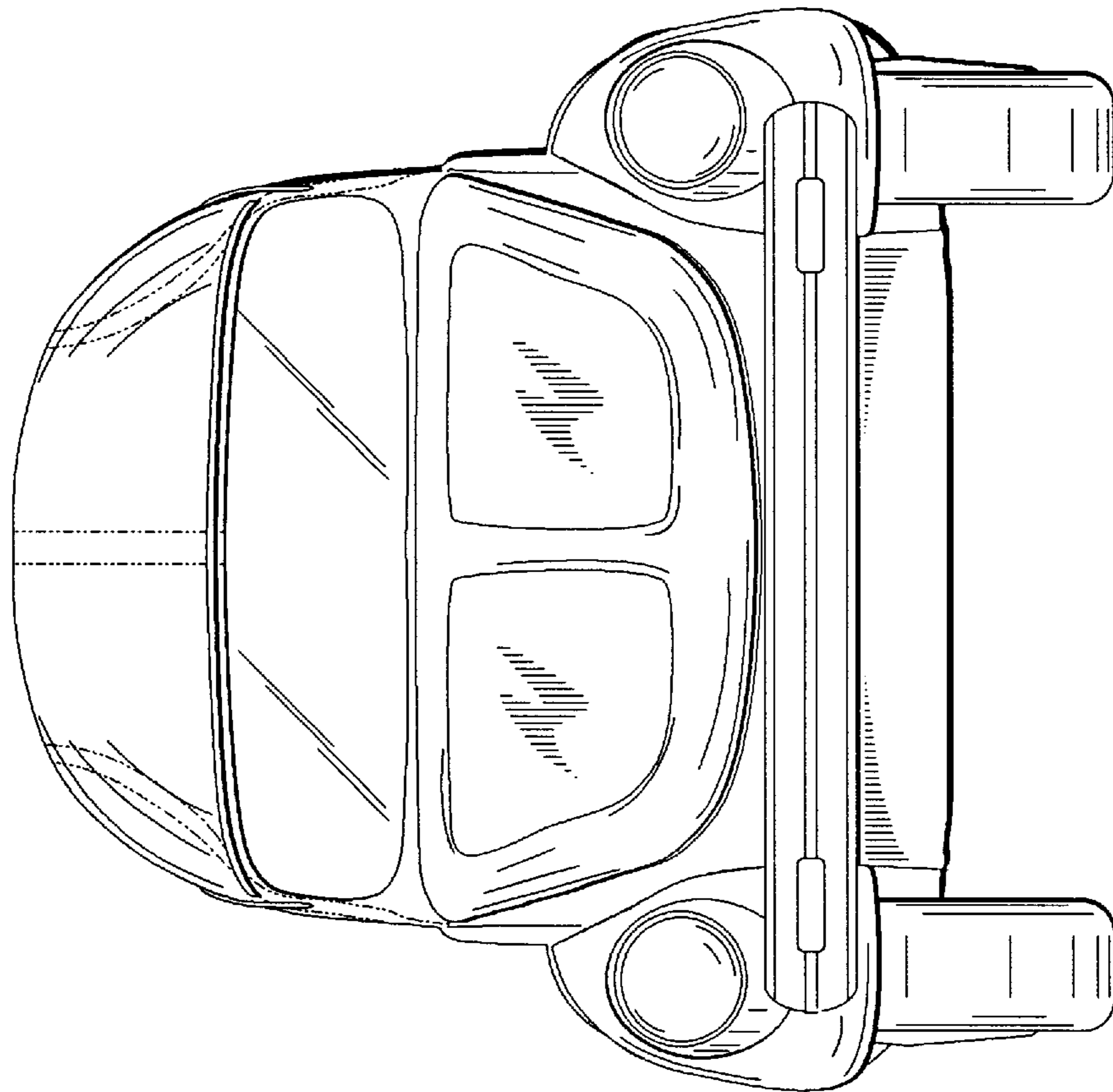


FIG. 3

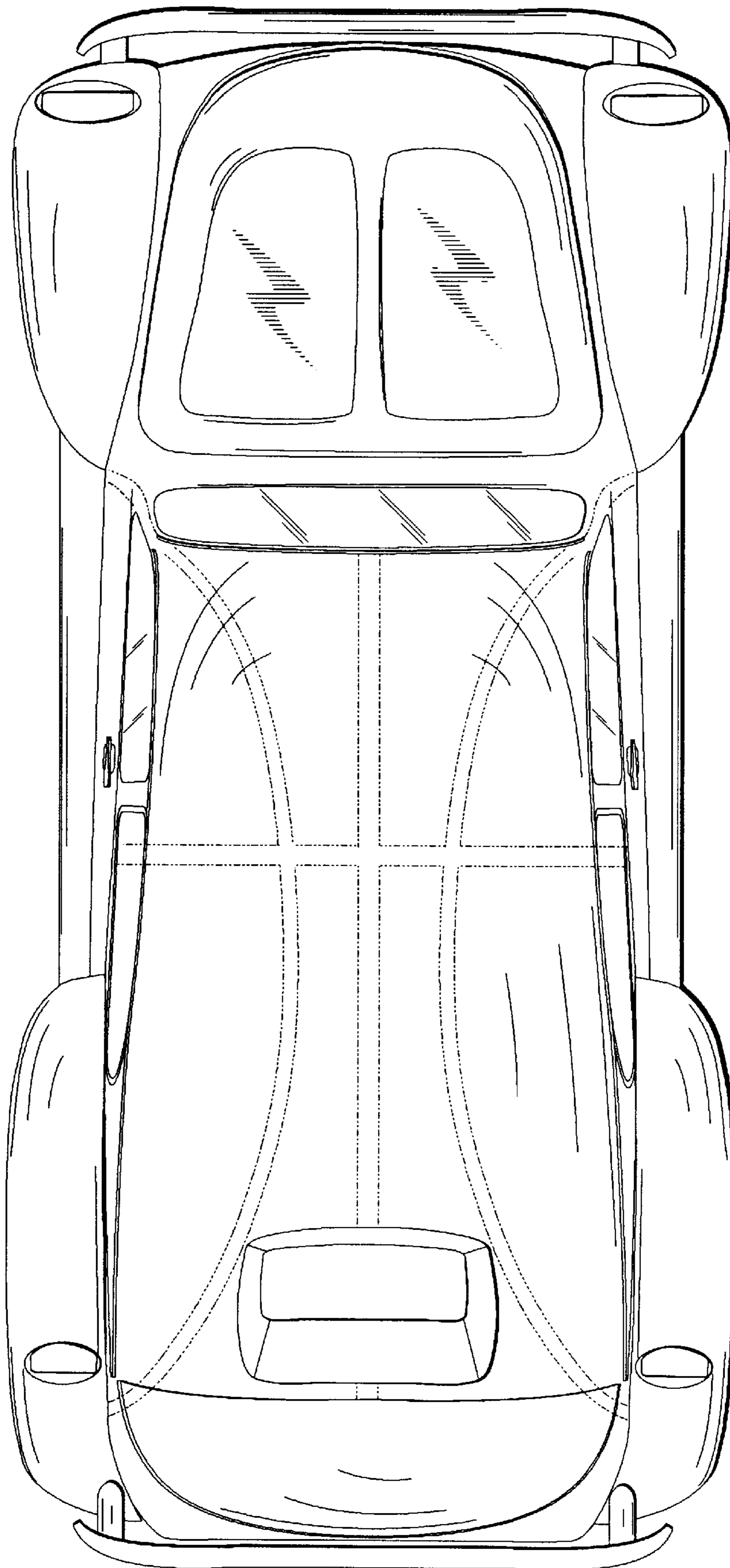


FIG. 5